

US00D661859S

(12) **United States Design Patent**
Blakeman

(10) **Patent No.:** **US D661,859 S**
(45) **Date of Patent:** **** Jun. 12, 2012**

(54) **TELESCOPING DOLLY**

(76) Inventor: **Ken Blakeman**, Manhattan Beach, CA
(US)

(**) Term: **14 Years**

(21) Appl. No.: **29/400,734**

(22) Filed: **Aug. 31, 2011**

Related U.S. Application Data

(63) Continuation-in-part of application No. 29/386,164,
filed on Feb. 25, 2011.

(51) **LOC (9) Cl.** **12-02**

(52) **U.S. Cl.** **D34/26**

(58) **Field of Classification Search** D34/12-27;
280/47.18, 47.19, 47.29, 47.2, 47.27, 47.28,
280/79.1, 79.3, 47.26

See application file for complete search history.

(56) **References Cited**

U.S. PATENT DOCUMENTS

D198,676	S *	7/1964	Tarran	D34/14
3,456,960	A *	7/1969	Rector	280/47.29
D249,031	S *	8/1978	Tarran	D34/14
D249,032	S *	8/1978	Tarran	D34/14
4,776,603	A *	10/1988	Watts	280/47.27
4,974,862	A *	12/1990	Maupin	280/47.27
5,626,352	A *	5/1997	Grace	280/47.29
6,237,925	B1 *	5/2001	Koenig	280/47.29
D453,602	S *	2/2002	Chang	D34/24
6,530,740	B2 *	3/2003	Kim	414/490

6,752,404	B1 *	6/2004	Blake	280/47.27
7,398,990	B2 *	7/2008	Tsai	280/652
7,464,947	B2 *	12/2008	Cortese	280/47.27
7,823,893	B2 *	11/2010	Meyers et al.	280/47.29
7,934,730	B2 *	5/2011	Francis et al.	280/47.29
D644,397	S *	8/2011	Wood et al.	D34/26
D644,398	S *	8/2011	Wood et al.	D34/26
D644,400	S *	8/2011	Wood et al.	D34/26
D644,401	S *	8/2011	Dechant et al.	D34/26

* cited by examiner

Primary Examiner — Cynthia Ramirez

(74) *Attorney, Agent, or Firm* — Weiner & Burt, P.C.; Irving
M. Weiner; Pamela S. Burt

(57) **CLAIM**

The ornamental design for a telescoping dolly, as shown and
described.

DESCRIPTION

FIG. 1 is a perspective view of a telescoping dolly showing
my new design;

FIG. 2 is a front elevational view thereof;

FIG. 3 is a left side elevational view thereof;

FIG. 4 is a rear elevational view thereof;

FIG. 5 is a right side elevational view thereof;

FIG. 6 is a top plan view thereof;

FIG. 7 is a bottom view thereof; and,

FIG. 8 is a left side elevational view in a telescoped down
position.

1 Claim, 2 Drawing Sheets

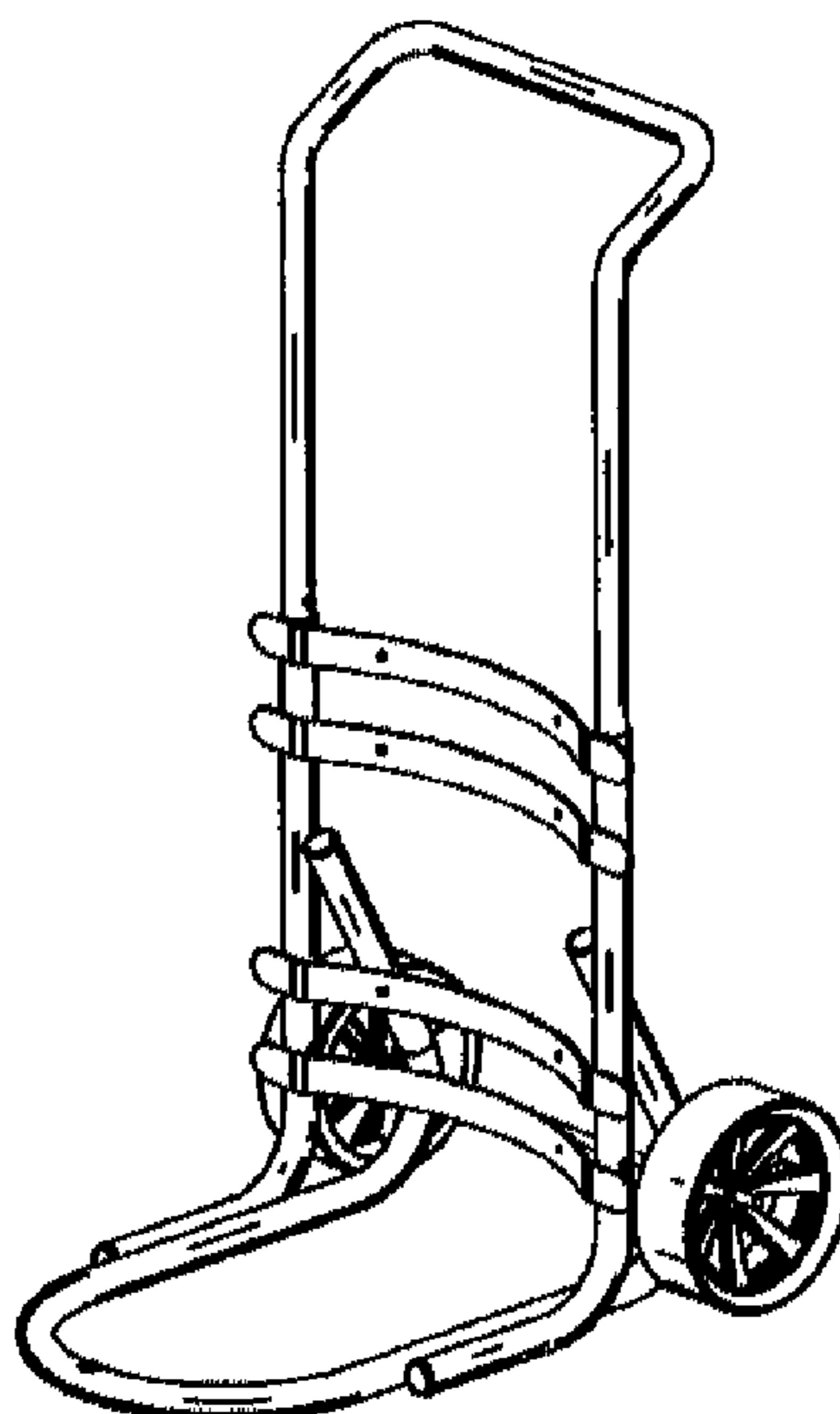


FIG 1

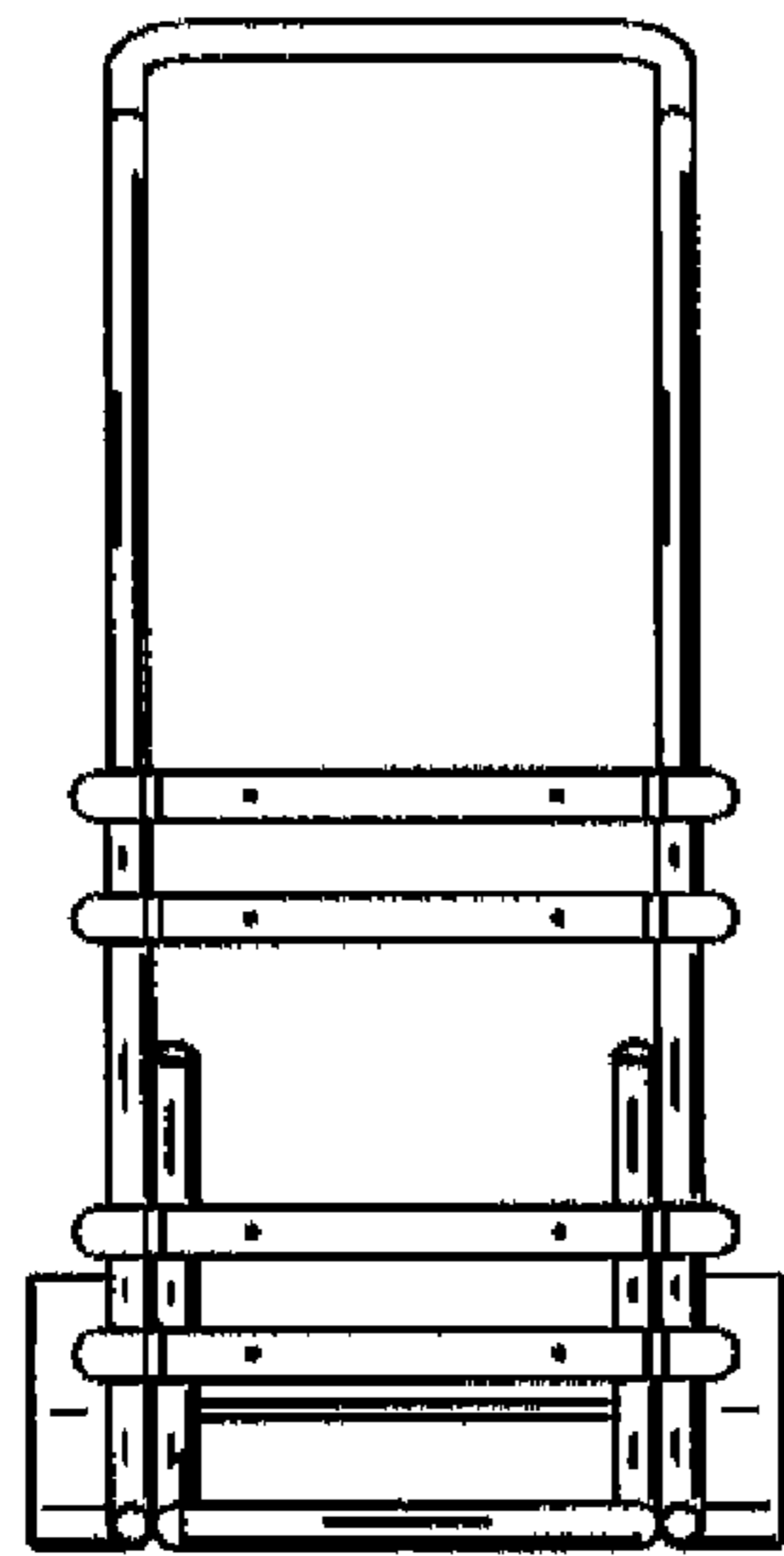
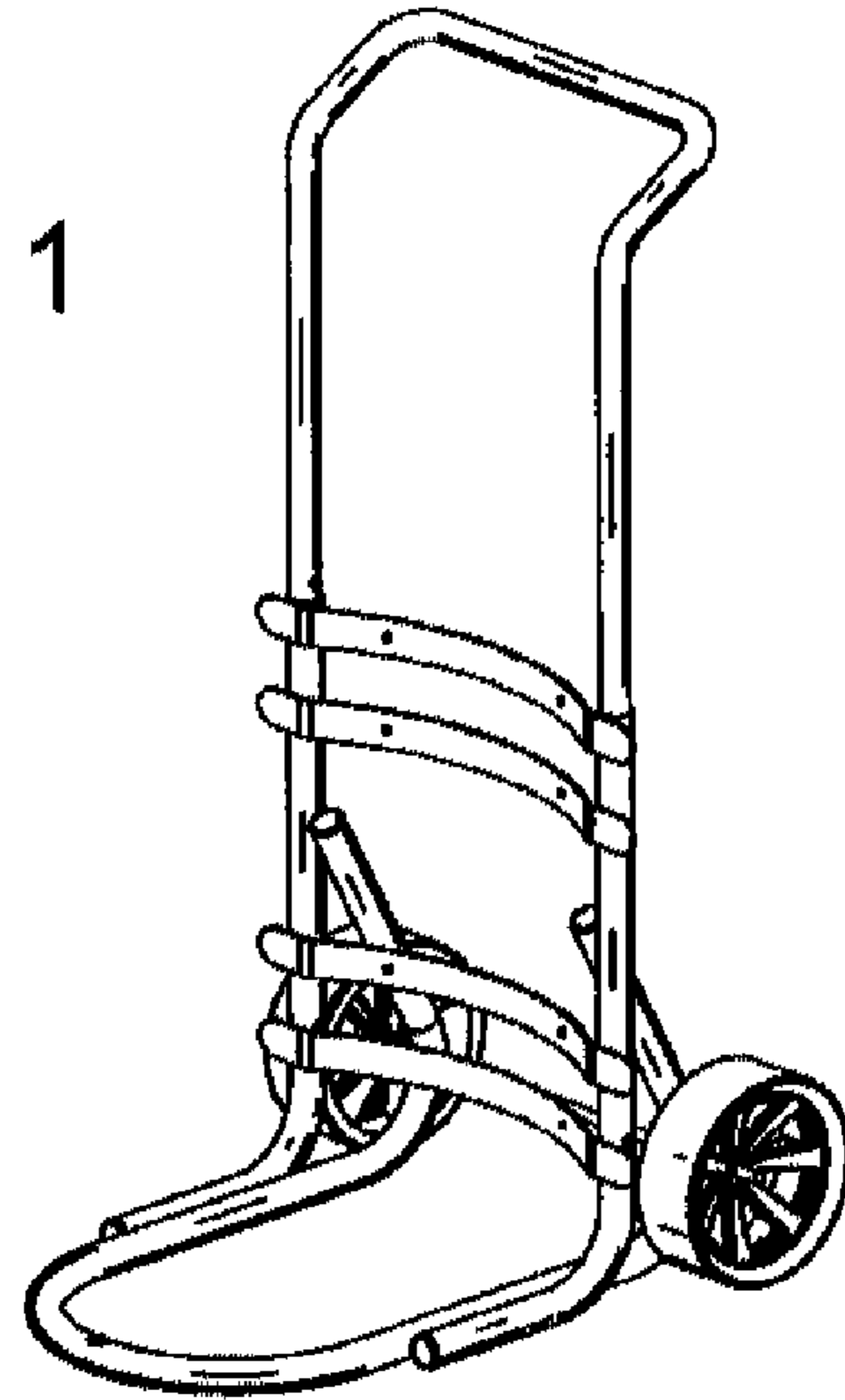


FIG 2

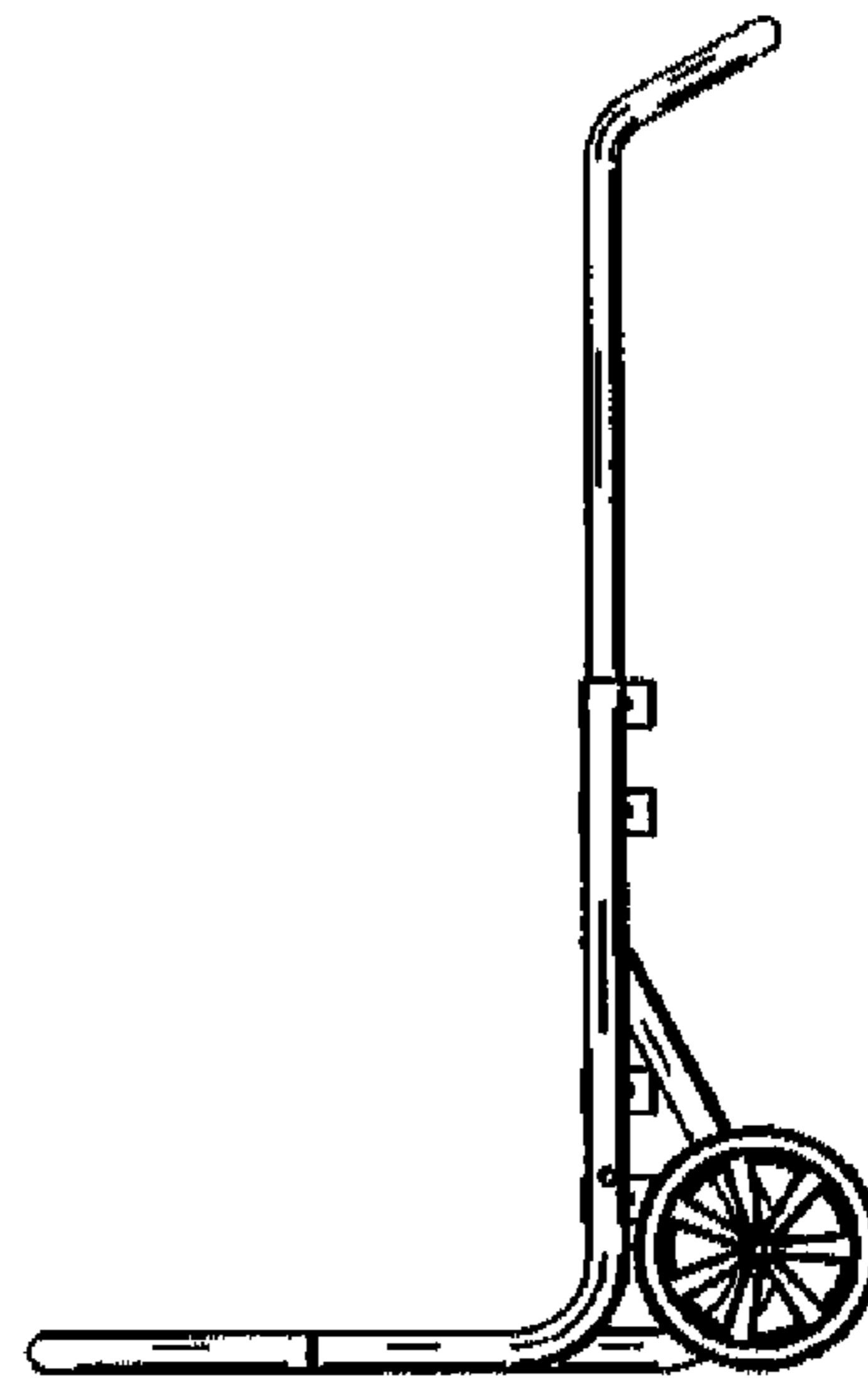


FIG 3

