

US00D661858S

(12) **United States Design Patent**  
**Lifshitz et al.**

(10) **Patent No.:** **US D661,858 S**  
(45) **Date of Patent:** **\*\* Jun. 12, 2012**

(54) **ROLLING CONTAINER ASSEMBLY**

(75) Inventors: **Omri Lifshitz**, Tel Aviv (IL); **Elad Hay Shitrit**, Tel Aviv (IL)

(73) Assignee: **The Stanley Works Israel Ltd.**, Rosh Ha' Ayin (IL)

(\*\*) Term: **14 Years**

(21) Appl. No.: **29/397,639**

(22) Filed: **Jul. 19, 2011**

(51) **LOC (9) Cl.** ..... **12-02**

(52) **U.S. Cl.** ..... **D34/25**

(58) **Field of Classification Search** ..... D34/12-25;  
280/47.19, 47.18, 47.26; 312/108  
See application file for complete search history.

(56) **References Cited**

**U.S. PATENT DOCUMENTS**

D371,663	S *	7/1996	Muller-Deisig et al. ....	D34/25
6,176,559	B1 *	1/2001	Tiramani et al. ....	312/108
D441,161	S *	4/2001	Shetterly .....	D34/25
6,601,930	B2 *	8/2003	Tiramani et al. ....	312/108
7,883,096	B2 *	2/2011	Katz et al. ....	280/47.26
D641,531	S *	7/2011	Harris .....	D34/25

D642,764	S *	8/2011	Elden .....	D34/24
2002/0030425	A1 *	3/2002	Tiramani et al. ....	312/108
2002/0074905	A1 *	6/2002	Tiramani et al. ....	312/108
2011/0049824	A1 *	3/2011	Bar-Erez et al. ....	280/47.18
2011/0181008	A1 *	7/2011	Bensman et al. ....	280/47.26

\* cited by examiner

*Primary Examiner* — Cynthia Ramirez

(74) *Attorney, Agent, or Firm* — Pillsbury Winthrop Shaw Pittman LLP

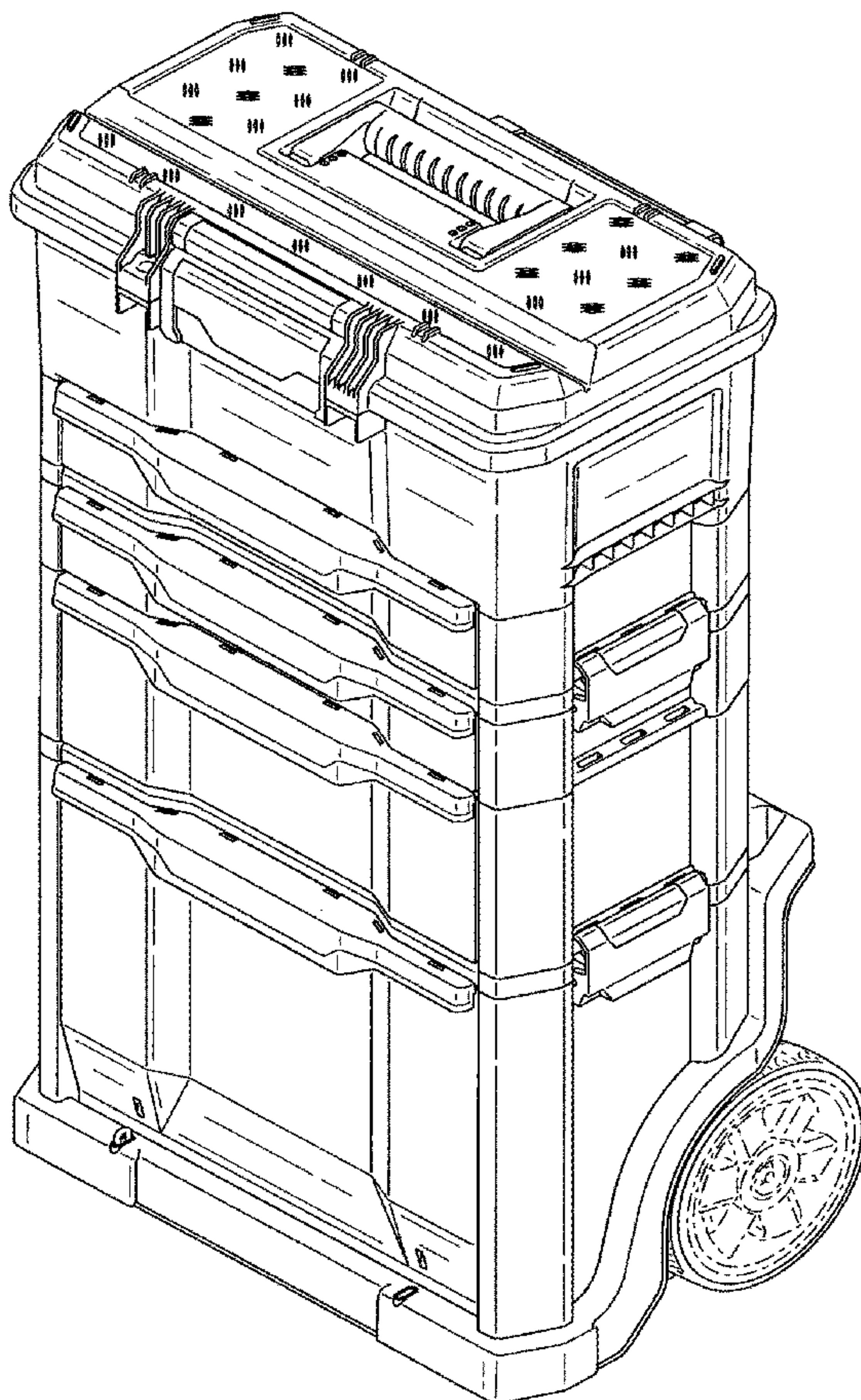
(57) **CLAIM**

The ornamental design for a rolling container assembly, as shown and described.

**DESCRIPTION**

FIG. 1 is an isometric view according to our design; FIG. 2 is a front plan view of the design of FIG. 1; FIG. 3 is a rear plan view of the design of FIG. 1; FIG. 4 is a left side plan view of the design of FIG. 1, with the right side being a mirror image; FIG. 5 is a top plan view of the design of FIG. 1; and, FIG. 6 is a bottom plan view of the design of FIG. 1. Where included, broken lines showing environment or structure are for illustrative purposes only and form no part of the claimed design.

**1 Claim, 5 Drawing Sheets**





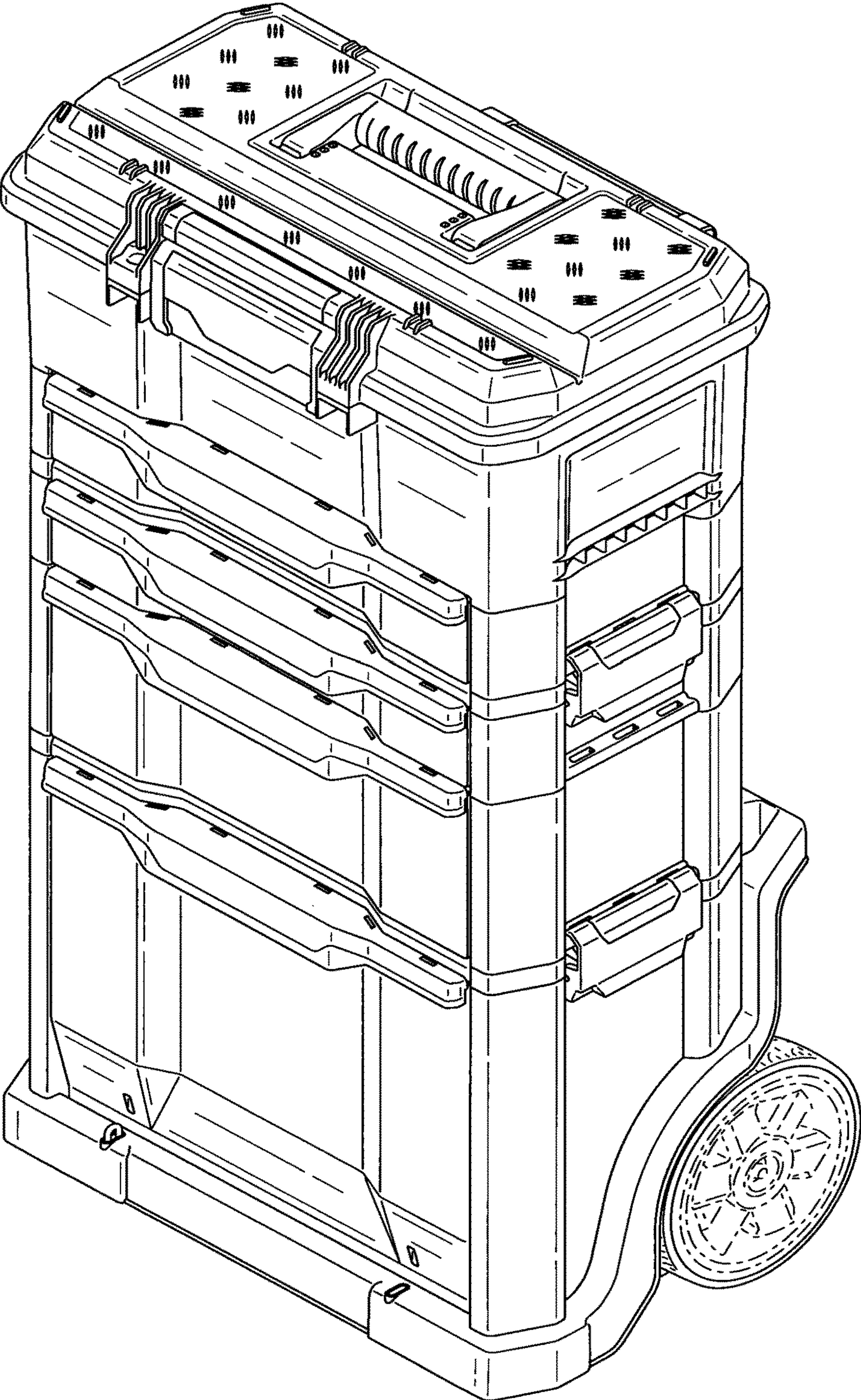


FIG. 1

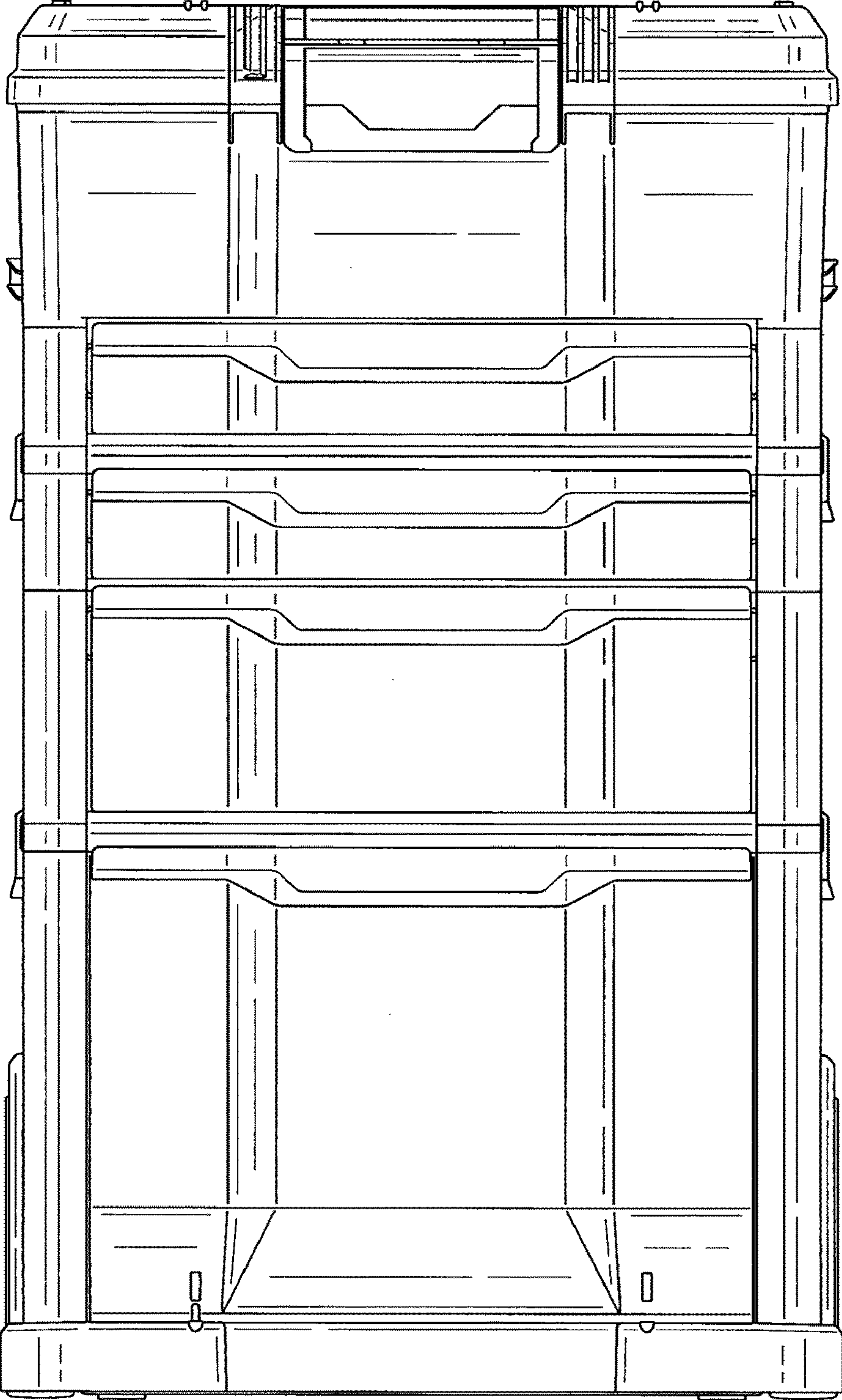


FIG. 2



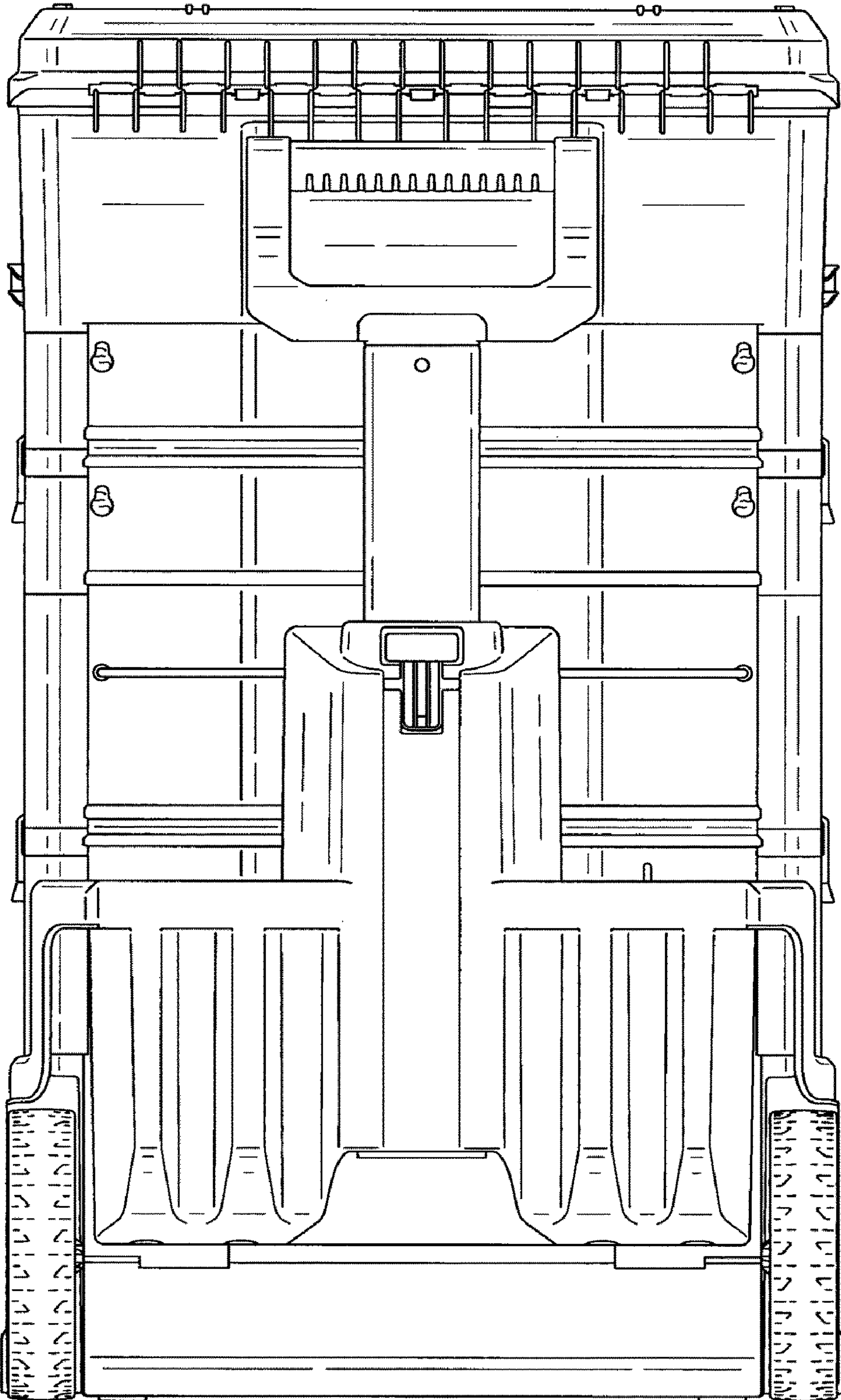


FIG. 3

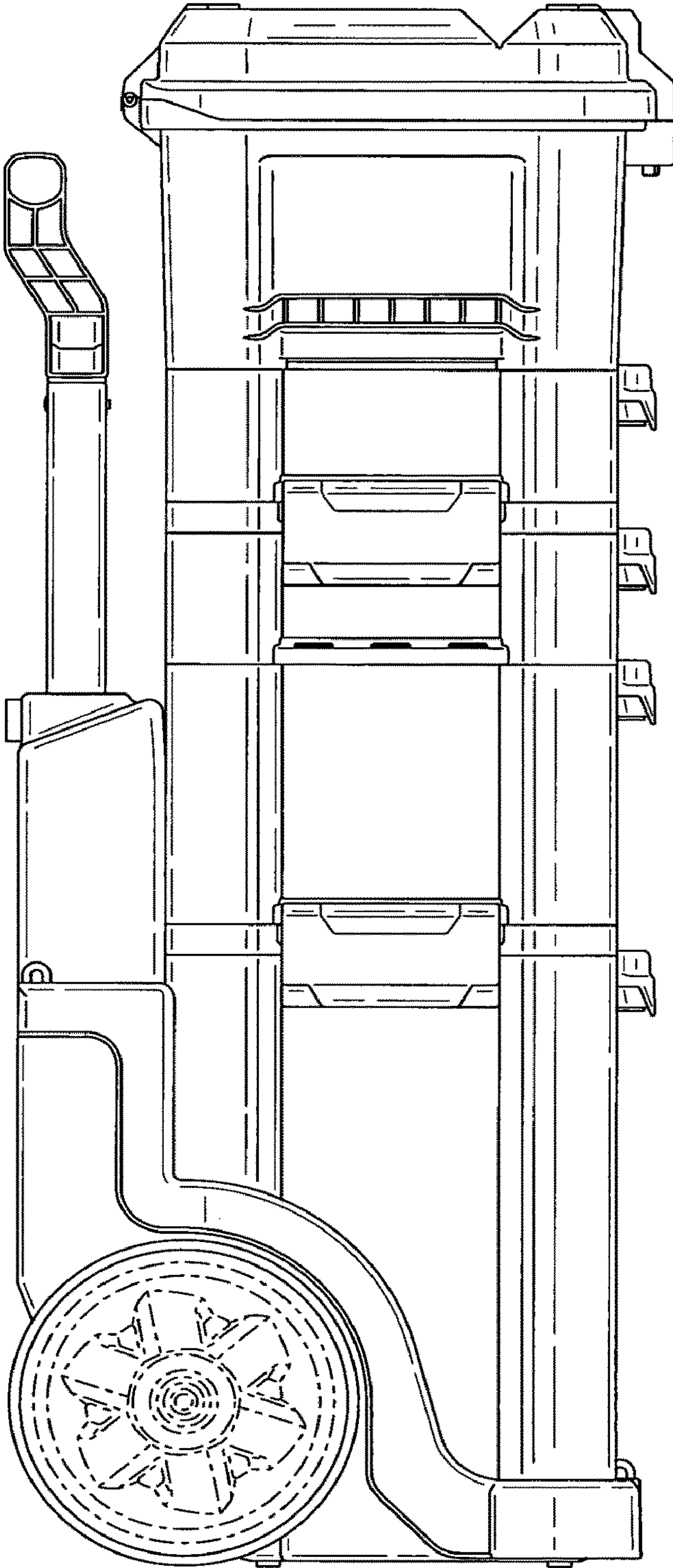


FIG. 4



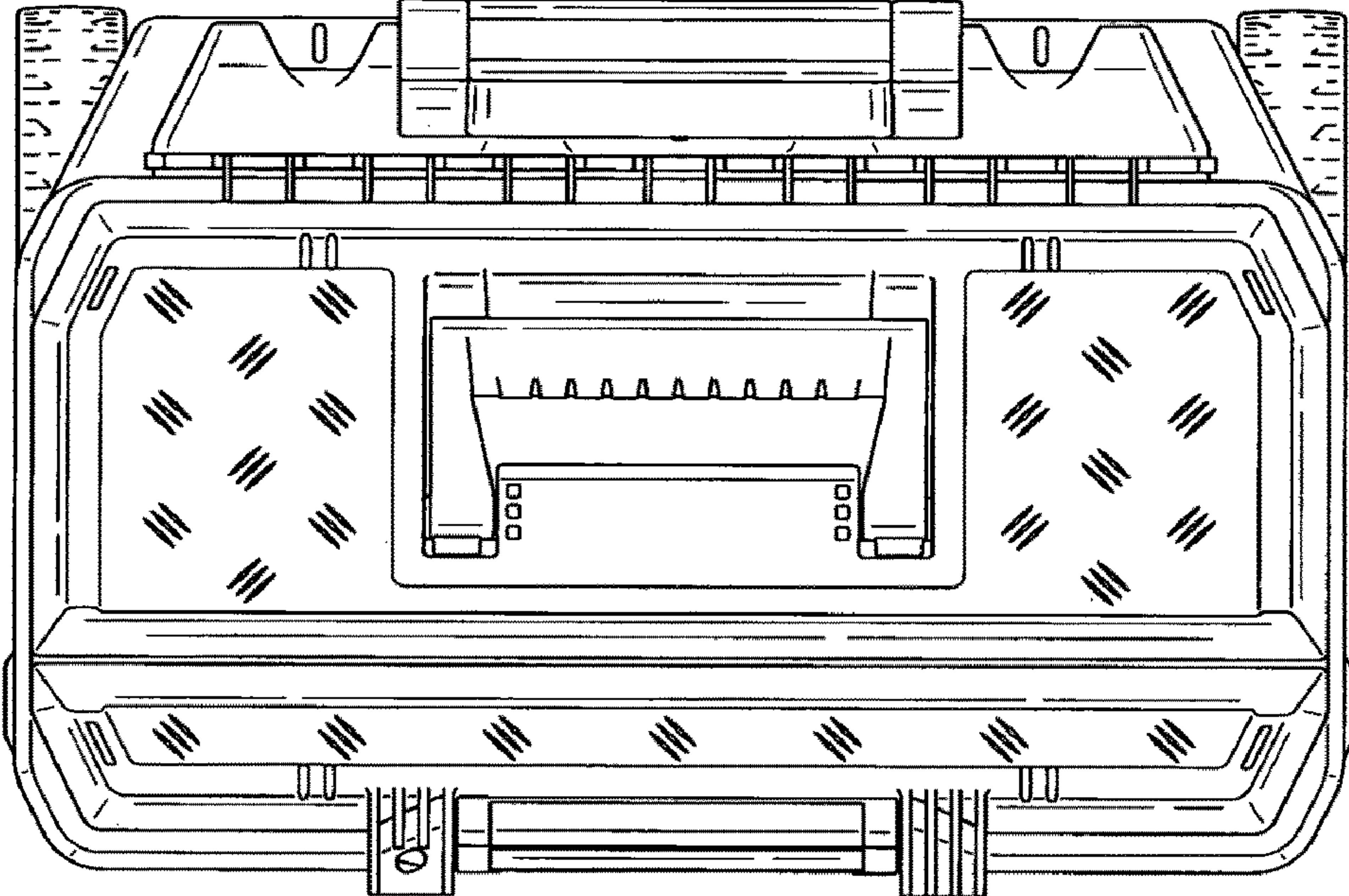


FIG. 5

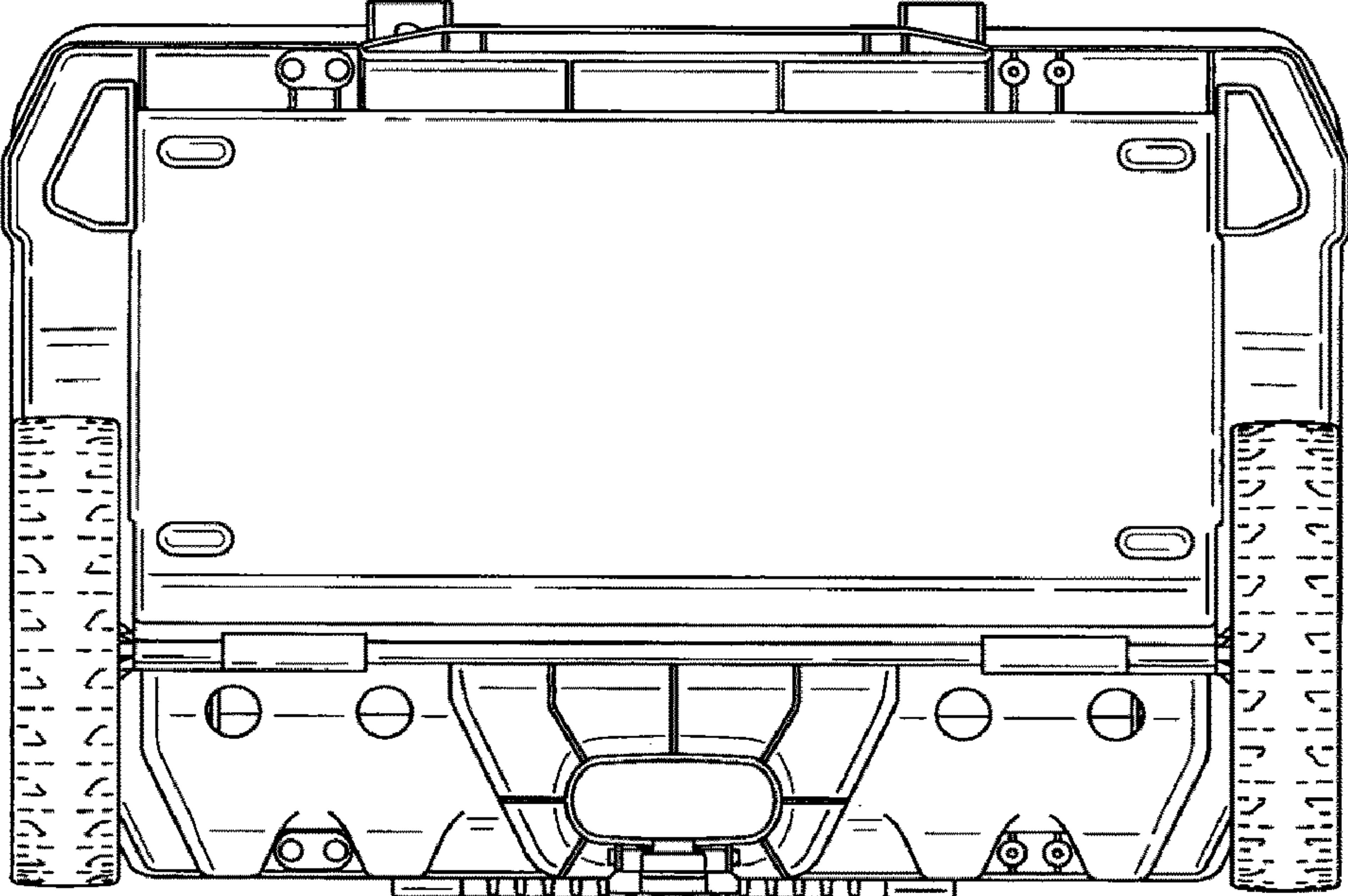


FIG. 6