



US00D661856S

(12) **United States Design Patent**  
**Cole**

(10) **Patent No.:** **US D661,856 S**

(45) **Date of Patent:** **\*\* Jun. 12, 2012**

(54) **MOBILE INCINERATOR**

(76) Inventor: **Kevin Brian Cole**, Grand Lake, CO  
(US)

(\*\*) Term: **14 Years**

(21) Appl. No.: **29/401,271**

(22) Filed: **Sep. 9, 2011**

(51) **LOC (9) Cl.** ..... **09-09**

(52) **U.S. Cl.** ..... **D34/1.1**

(58) **Field of Classification Search** ..... D34/1,  
D34/1.1; 110/194, 240, 241, 242, 235, 244,  
110/177, 245, 243; 414/420, 422, 424, 411

See application file for complete search history.

(56) **References Cited**

**U.S. PATENT DOCUMENTS**

558,976	A *	4/1896	McClellan	110/242
558,977	A *	4/1896	McClellan	110/242
2,882,842	A *	4/1959	Royer	110/240
3,215,100	A *	11/1965	Fabry	110/242
3,785,302	A	1/1974	Davis	
4,688,494	A *	8/1987	Domnitch	110/240
5,050,509	A *	9/1991	Mormino	110/235
D325,803	S *	4/1992	Sugiue	D34/1.1
D333,894	S *	3/1993	Johnson	D34/1.1
D343,487	S *	1/1994	McIntyre	D34/3

2003/0101916	A1 *	6/2003	Brown et al.	110/194
2007/0144412	A1 *	6/2007	O'Connor	110/241
2010/0242812	A1 *	9/2010	Romeo	110/241

**OTHER PUBLICATIONS**

Armstrong, "Burnin' slash and kickin' ash," Sky-Hi News, available at <http://www.skyhidailynews.com/article/20100614/NEWS/100619985>, Jun. 14, 2010, 2 pages.

\* cited by examiner

*Primary Examiner* — Cynthia Ramirez

(74) *Attorney, Agent, or Firm* — Sheridan Ross P.C.

(57) **CLAIM**

The ornamental design for a mobile incinerator, as shown and described.

**DESCRIPTION**

FIG. 1 is a perspective view of the mobile incinerator of my new design;

FIG. 2 is a front elevation view thereof;

FIG. 3 is a rear elevation view thereof;

FIG. 4 is a right elevation view thereof;

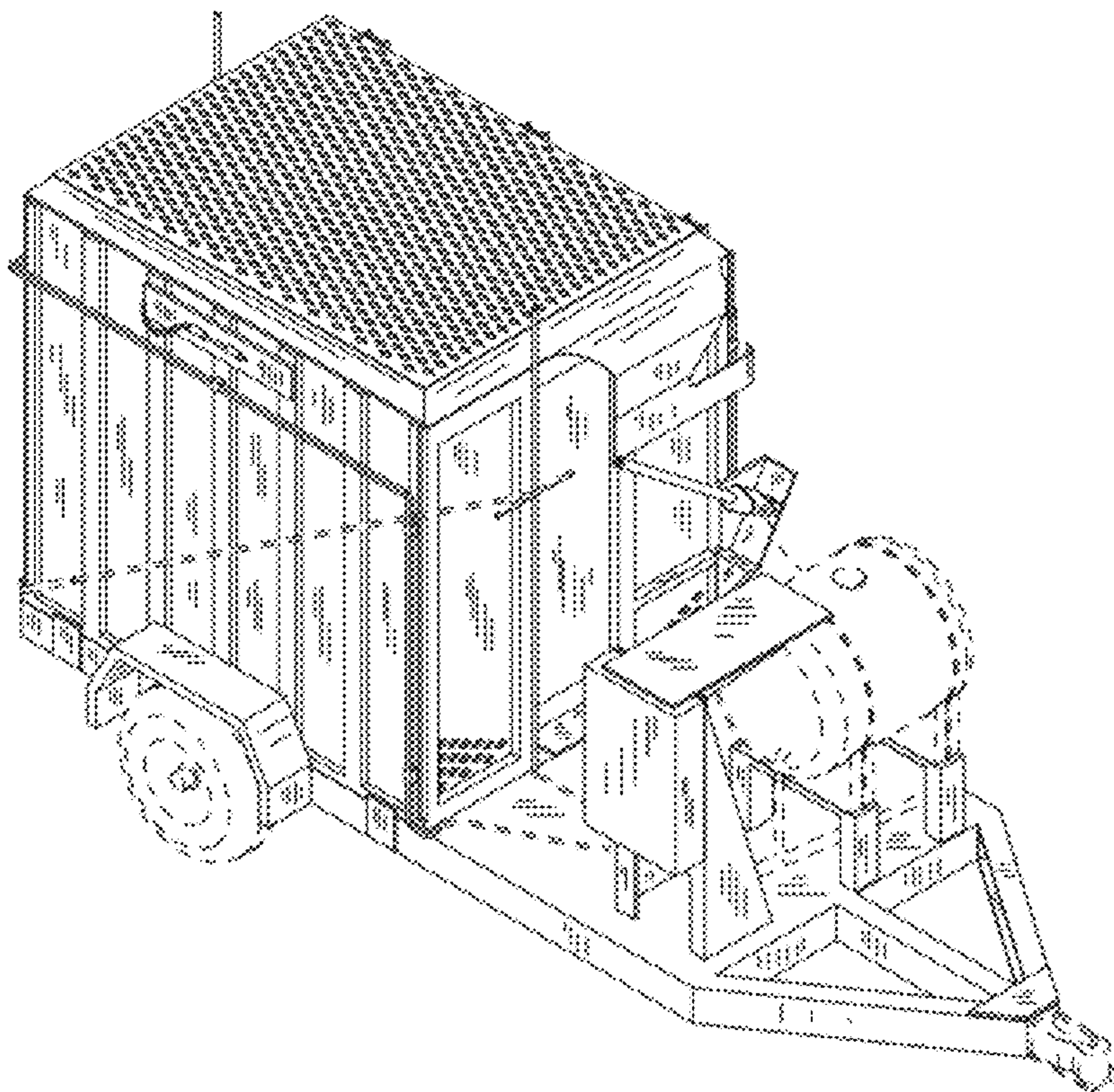
FIG. 5 is a left elevation view thereof;

FIG. 6 is a top plan view thereof; and,

FIG. 7 is a bottom plan view thereof.

The broken lines shown comprise environment and form no part of the claimed design.

**1 Claim, 7 Drawing Sheets**





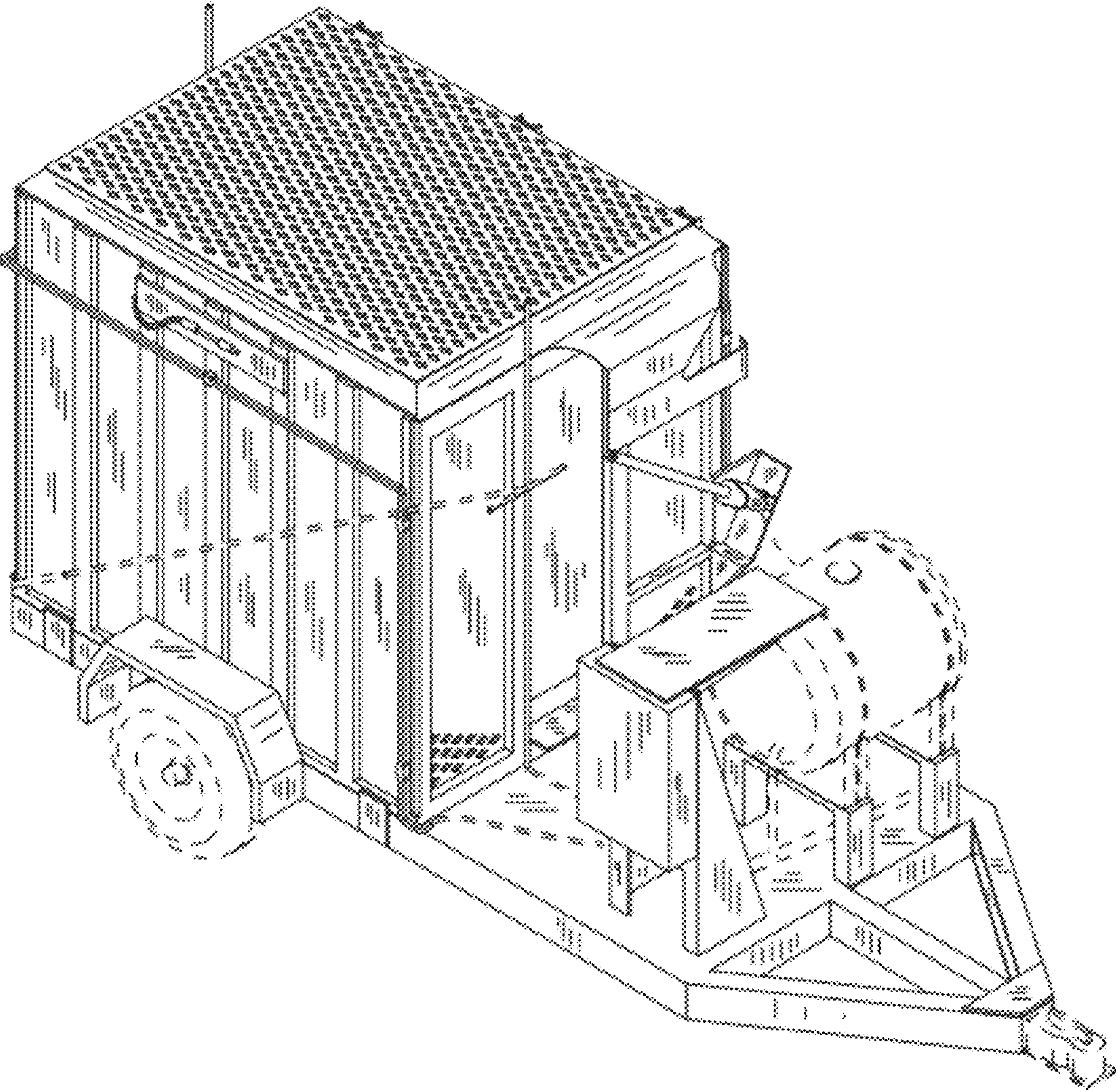


FIG. 1

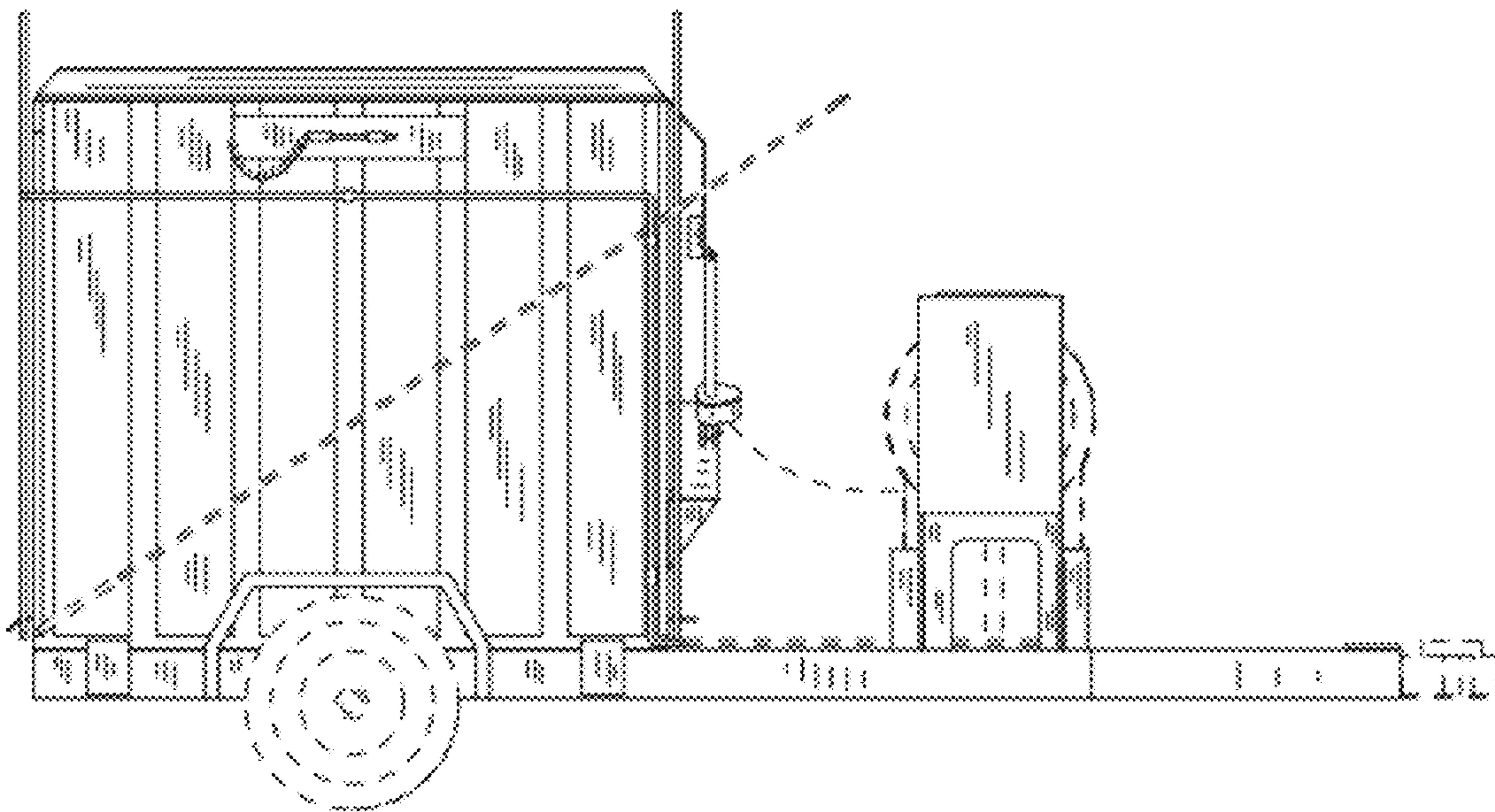


FIG. 2

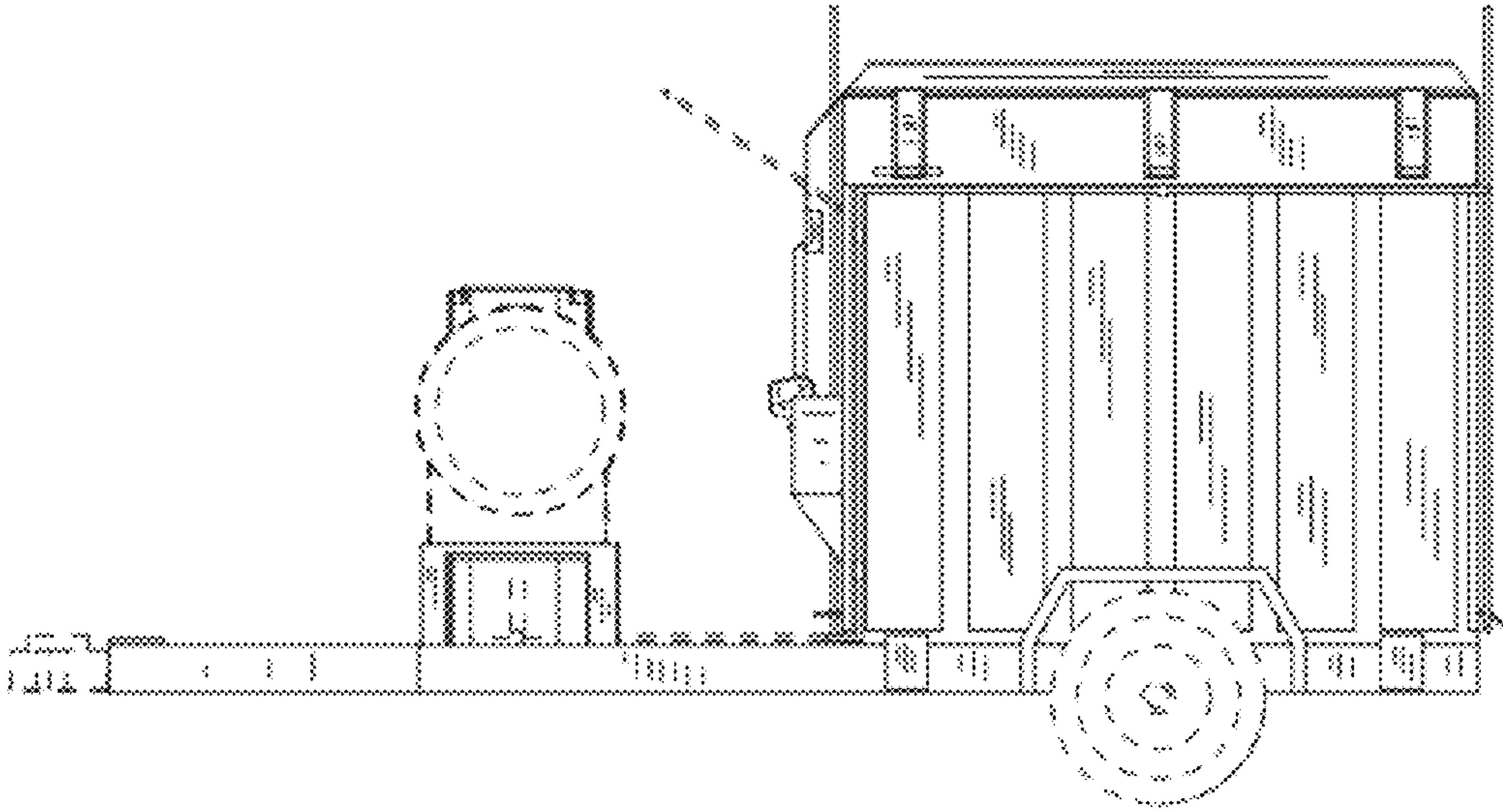


FIG.3



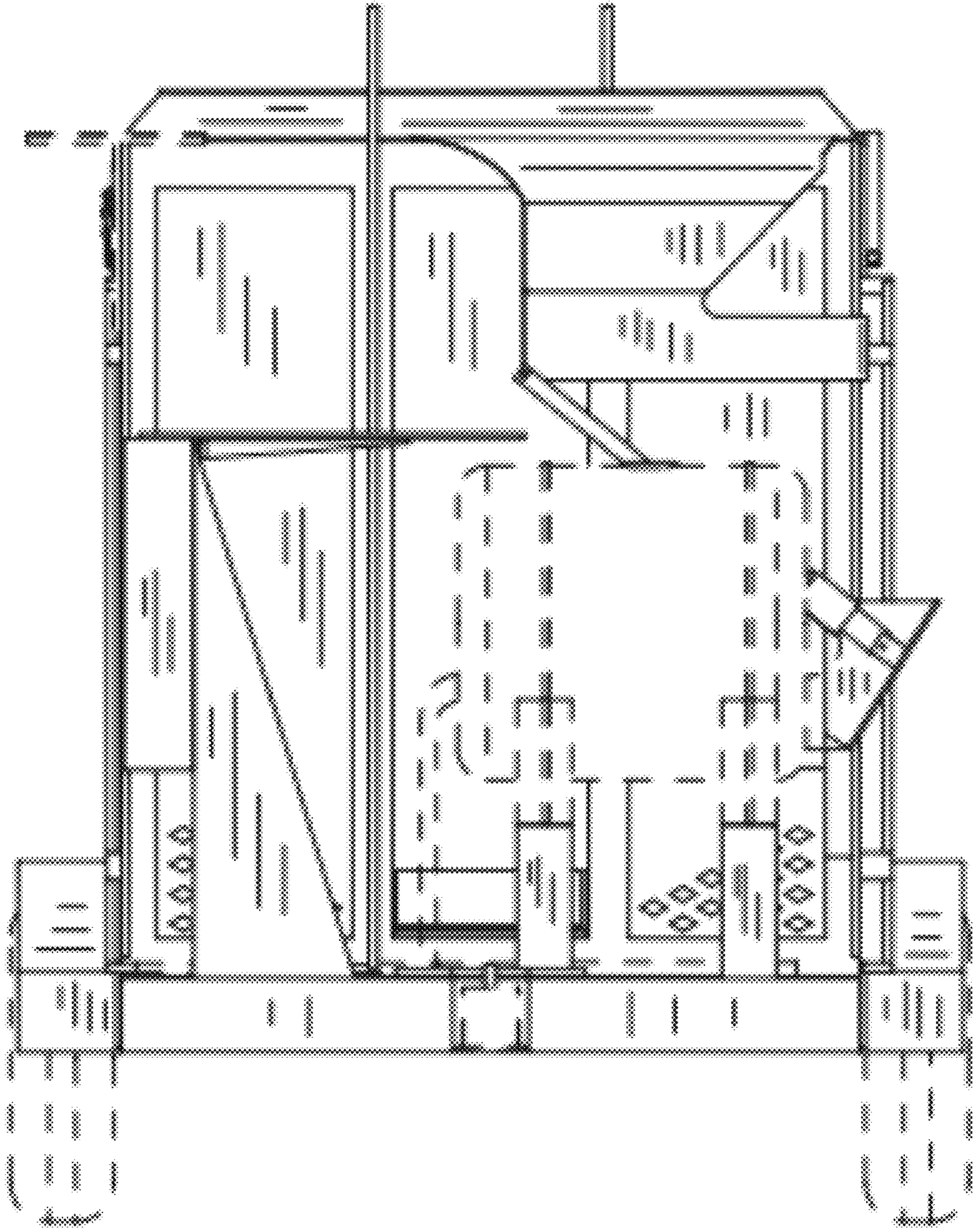


FIG. 4



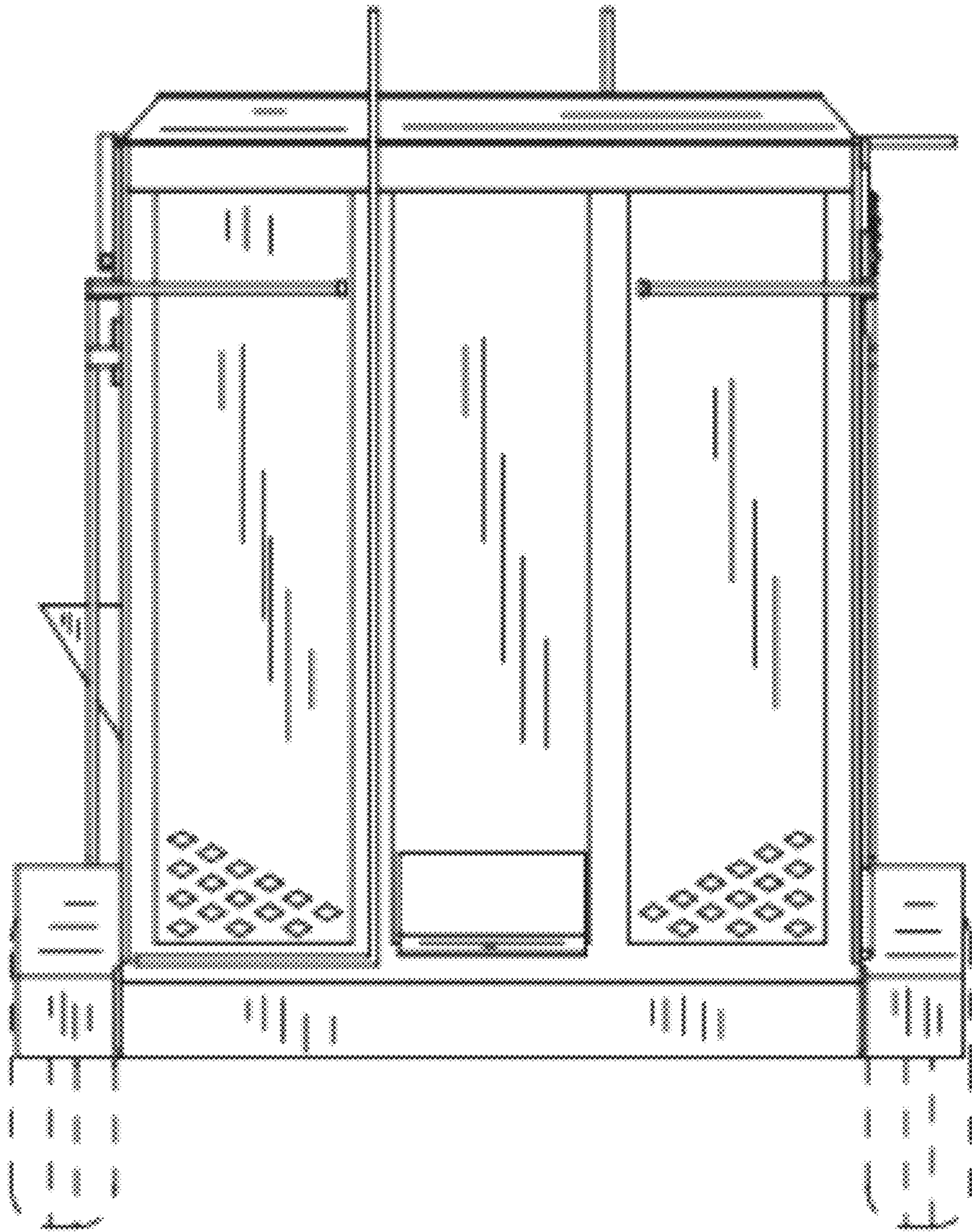


FIG. 5

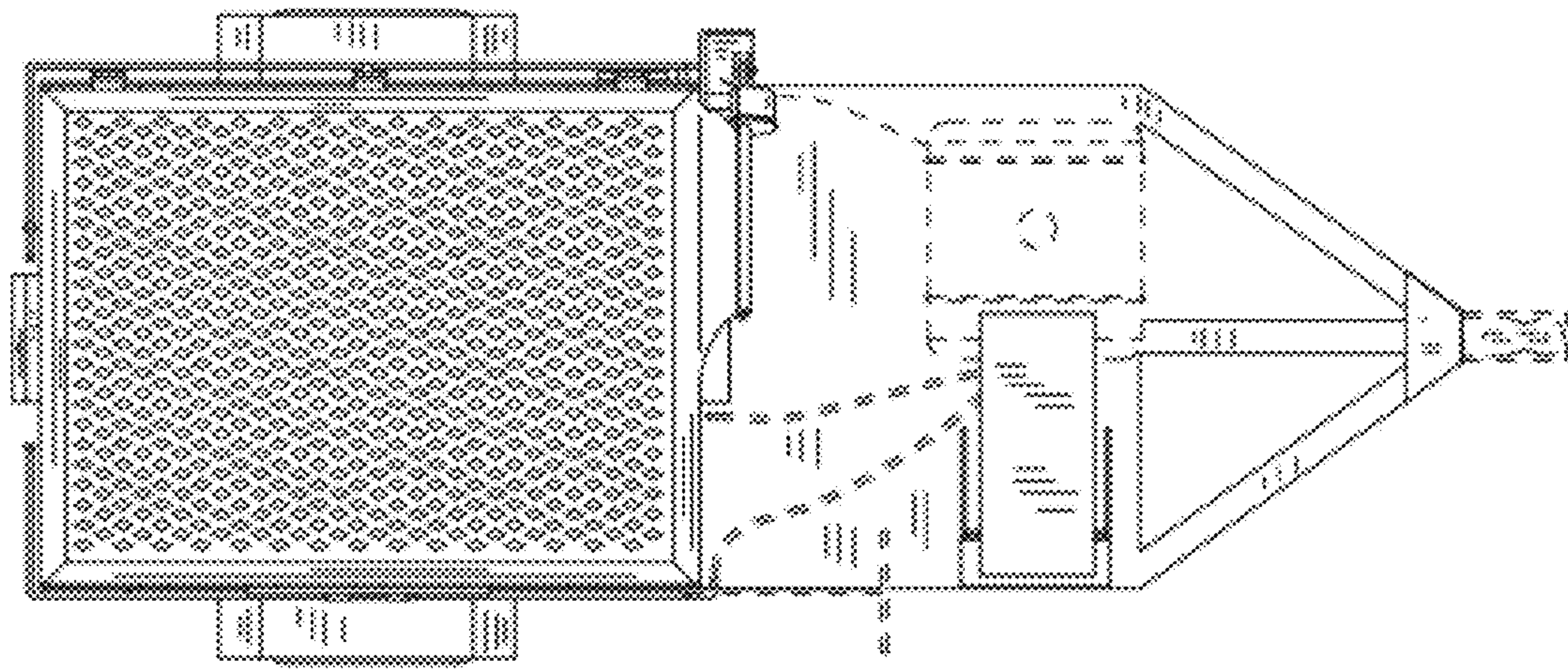


FIG.6

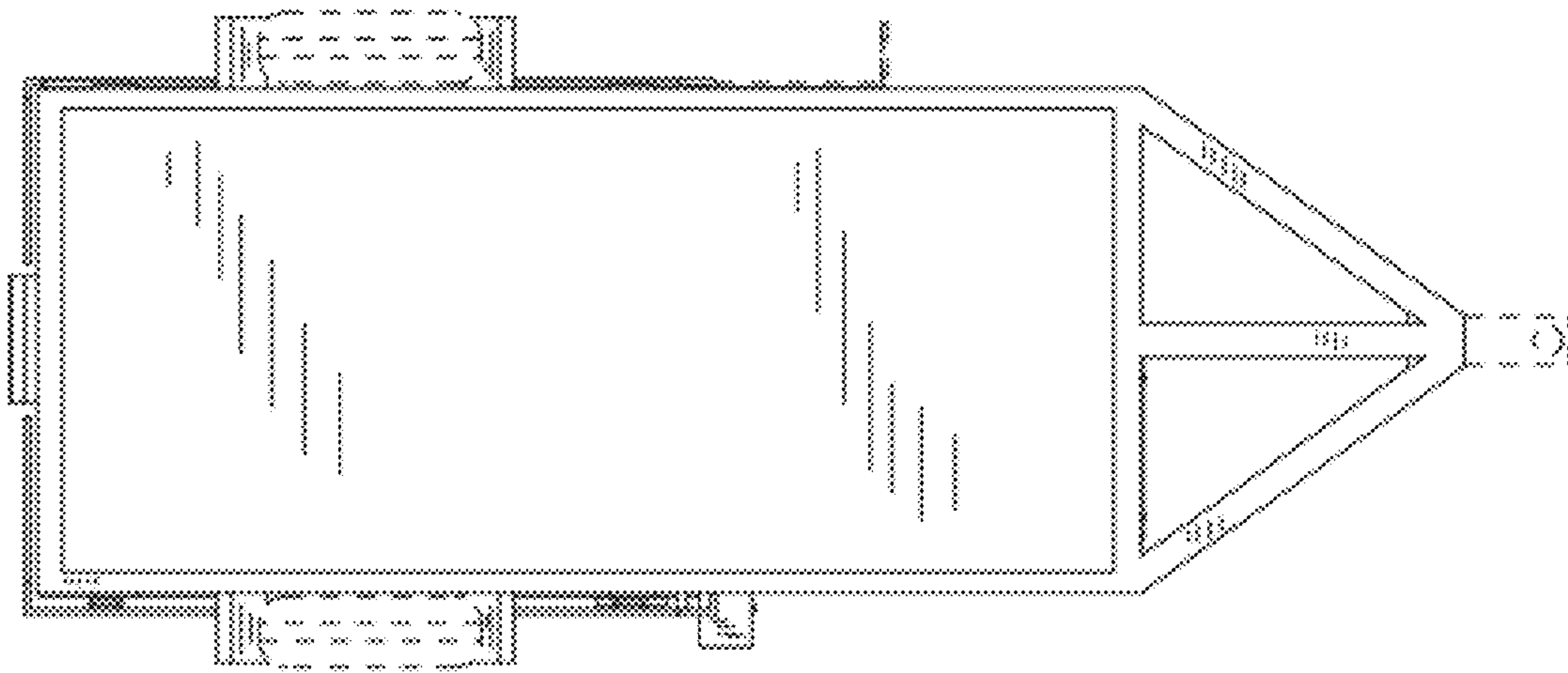


FIG.7