



US00D661853S

(12) **United States Design Patent**
Dammkoehler

(10) **Patent No.:** **US D661,853 S**
(45) **Date of Patent:** **** Jun. 12, 2012**

(54) **FLOOR CLEANING MACHINE**
(75) Inventor: **Denis Dammkoehler**, Backnang (DE)
(73) Assignee: **Alfred Kaercher GmbH & Co. KG**,
Winnenden (DE)

7,055,201 B2 * 6/2006 Buchegger et al. 15/49.1
7,059,004 B2 6/2006 Mitchell et al.
D528,254 S 9/2006 Michael et al.
D536,842 S * 2/2007 Pedlar D32/16
D536,846 S 2/2007 Pedlar
D542,988 S * 5/2007 Dammkoehler et al. D32/16
D544,659 S * 6/2007 Auerswald et al. D32/16

(**) Term: **14 Years**

(Continued)

(21) Appl. No.: **29/372,933**

OTHER PUBLICATIONS

(22) Filed: **Feb. 4, 2011**

Extract from catalog of Alfred Kaercher GmbH & Co. KG,
"Programme 2006", cover, pp. 181-187, 190-193, 195 and last page
(Dec. 2005).

(30) **Foreign Application Priority Data**

(Continued)

Aug. 12, 2010 (WO) DM/074 098

(51) **LOC (9) Cl.** **15-05**

(52) **U.S. Cl.** **D32/16**

(58) **Field of Classification Search** D32/1,
D32/15-19, 21; 15/49.1, 50.1, 320-323,
15/353; 280/474; 414/918

See application file for complete search history.

Primary Examiner — T. Chase Nelson

Assistant Examiner — Kathleen M Sims

(74) *Attorney, Agent, or Firm* — Lipsitz & McAllister, LLC

(57) **CLAIM**

The ornamental design for a floor cleaning machine, as shown
and described.

(56) **References Cited**

DESCRIPTION

U.S. PATENT DOCUMENTS

D202,170 S 9/1965 Little et al.
4,759,094 A * 7/1988 Palmer et al. 15/320
4,803,753 A 2/1989 Palmer
D364,012 S * 11/1995 Bothun et al. D32/19
D365,423 S 12/1995 Bores et al.
D369,446 S * 4/1996 Smith D32/19
D370,320 S 5/1996 Hachtmann
5,829,095 A 11/1998 Legatt et al.
D406,804 S 3/1999 Sacco et al.
5,890,258 A * 4/1999 Lee 15/320
D417,045 S 11/1999 Dziarsk et al.
6,427,285 B1 8/2002 Legatt et al.
6,585,827 B2 7/2003 Field et al.
6,648,177 B2 11/2003 Burger
D510,896 S 10/2005 Hoelzel et al.

FIG. 1 is a front, top and right side perspective view showing
the design;

FIG. 2 is a front, top and left side perspective view showing
the design;

FIG. 3 is a front elevational view of the design;

FIG. 4 is a right side elevational view of the design;

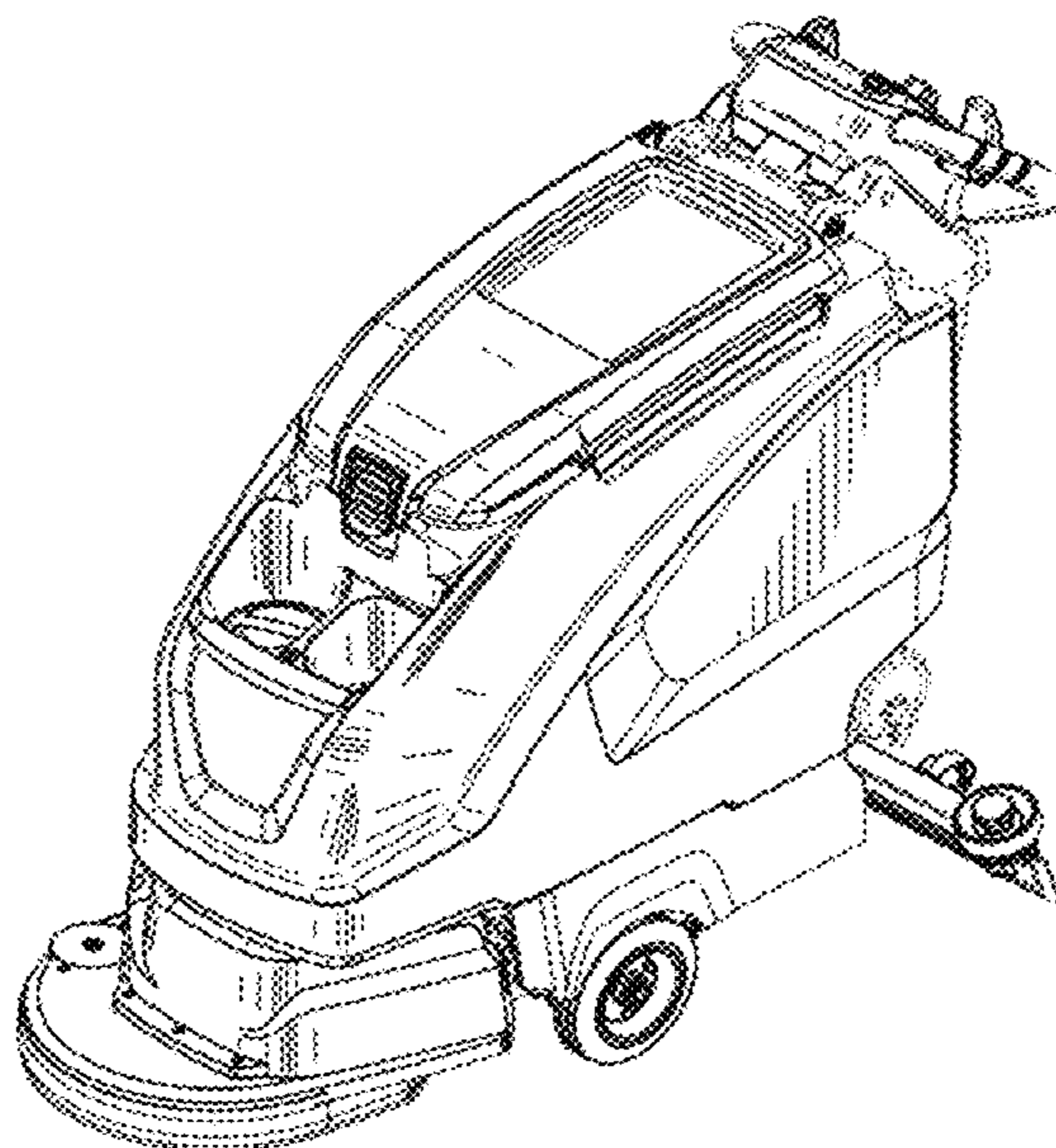
FIG. 5 is a rear elevational view of the design;

FIG. 6 is a left side elevational view of the design; and,

FIG. 7 is a top plan view of the design.

The broken line showing of various elements in the drawings
is for the purpose of illustrating mechanical components and
forms no part of the claimed design.

1 Claim, 7 Drawing Sheets



U.S. PATENT DOCUMENTS

D549,405	S *	8/2007	Dammkoehler et al.	D32/16
D569,057	S	5/2008	Goff	
D569,773	S	5/2008	Niebuhr	
D571,512	S *	6/2008	Dammkoehler et al.	D32/15
D593,717	S *	6/2009	Vernazza	D32/16
D619,516	S	7/2010	Niebuhr	
2002/0073494	A1	6/2002	Stuchlik	
2003/0070249	A1	4/2003	Lehman et al.	
2003/0070252	A1*	4/2003	Pedlar et al.	15/401
2005/0081319	A1	4/2005	Legatt	
2005/0132527	A1*	6/2005	Pedlar et al.	15/340.3
2006/0236494	A1*	10/2006	Nelson et al.	15/320

OTHER PUBLICATIONS

Extract from catalog of Alfred Kaercher GmbH & Co. KG, "Programme 2007", cover, pp. 203-211, 219 and last page (Jan. 2007).

Extract from catalog of Alfred Kaercher GmbH & Co. KG, "Programme 2008", cover, pp. 214-222, 224-225, 233 and last page (Dec. 2007).

Extract from catalog of Alfred Kaercher GmbH & Co. KG, "Programme 2009 Kaercher Professional Commercial", cover, pp. 147, 154-165 and last page (Mar. 2009).

Extract from catalog of Alfred Kaercher GmbH & Co. KG, "Programme 2010 Kaercher Professional", cover, pp. 159, 166-177 and last page (Nov. 2009).

Extract from catalog of Alfred Kaercher GmbH & Co. KG, "Programme 2003", cleaning apparatus BD 530 and cleaning apparatus BR/BD 750, 3 pages, 2003.

Homepage and "Swipper der Müllsauger Details" of David P. Stummer, www.swipper.at, (3 pages), printed Dec. 1, 2006 and Sep 22, 2006, © 2003.

Homepage and "Glutton" product photo of Albrecht Bertsche, www.berkom.com (3 pages, printed Dec. 1, 2006).

http://www.karchercomercial.com/images/productservices/hw_com.jpg Dec. 14, 2007.

http://www.karchercomercial.com/images/productservices/hds_clasic_hw1.jpg Dec. 14, 2007.

http://www.karchercomercial.com/images/productservices/hds_full_size_sm.jpg Dec. 14, 2007.

Extract from catalog of Alfred Kaercher GmbH & Co. KG, "Catalogue 2001/2002", cover, pp. 20-21, 87 and last page (Jun. 2001).

Extract from catalog of Alfred Kaercher GmbH & Co. KG, "Programme 2002", cover, pp. 38, 48, 50, 52-53, 58 and last page (Feb. 2002).

Extract from catalog of Alfred Kaercher GmbH & Co. KG, "Programme 2003", cover, pp. 12, 46, 52-53, 56, 58, 60-1, 66 and last page (Dec. 2002).

Extract from catalog of Alfred Kaercher GmbH & Co. KG, "Programme 2004", cover, pp. 16, 78-83, 85, 92 and last page (Feb. 2004).

Extract from catalog of Alfred Kaercher GmbH & Co. KG, "Programme 2005", cover, pp. 14, 75, 78-83, 85 and last page (Dec. 2004).

Extract from catalog of Alfred Kaercher GmbH & Co. KG, "Programme 2006", cover, pp. 86-91, 93 and last page (Dec. 2005).

* cited by examiner

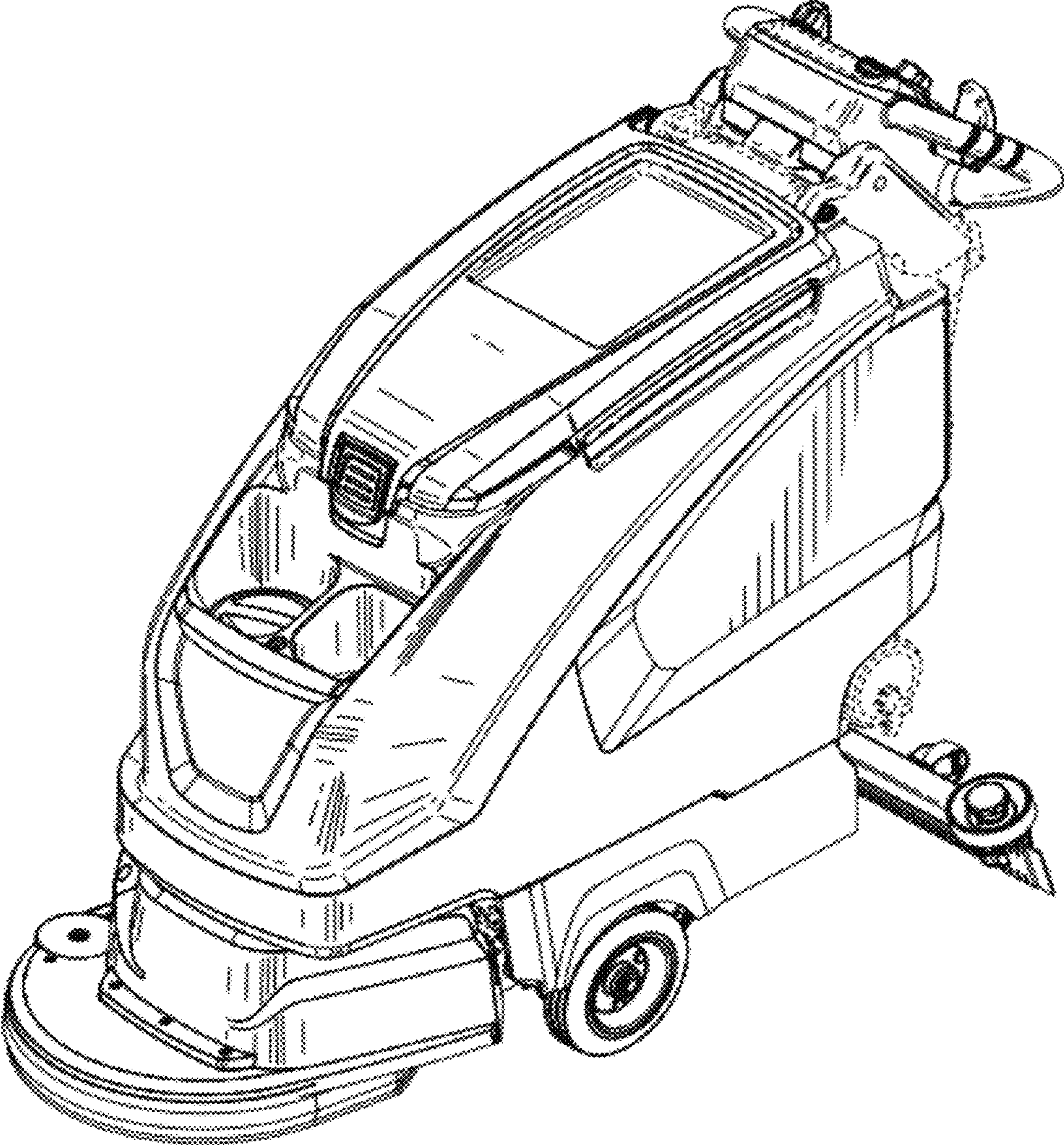


FIG.1

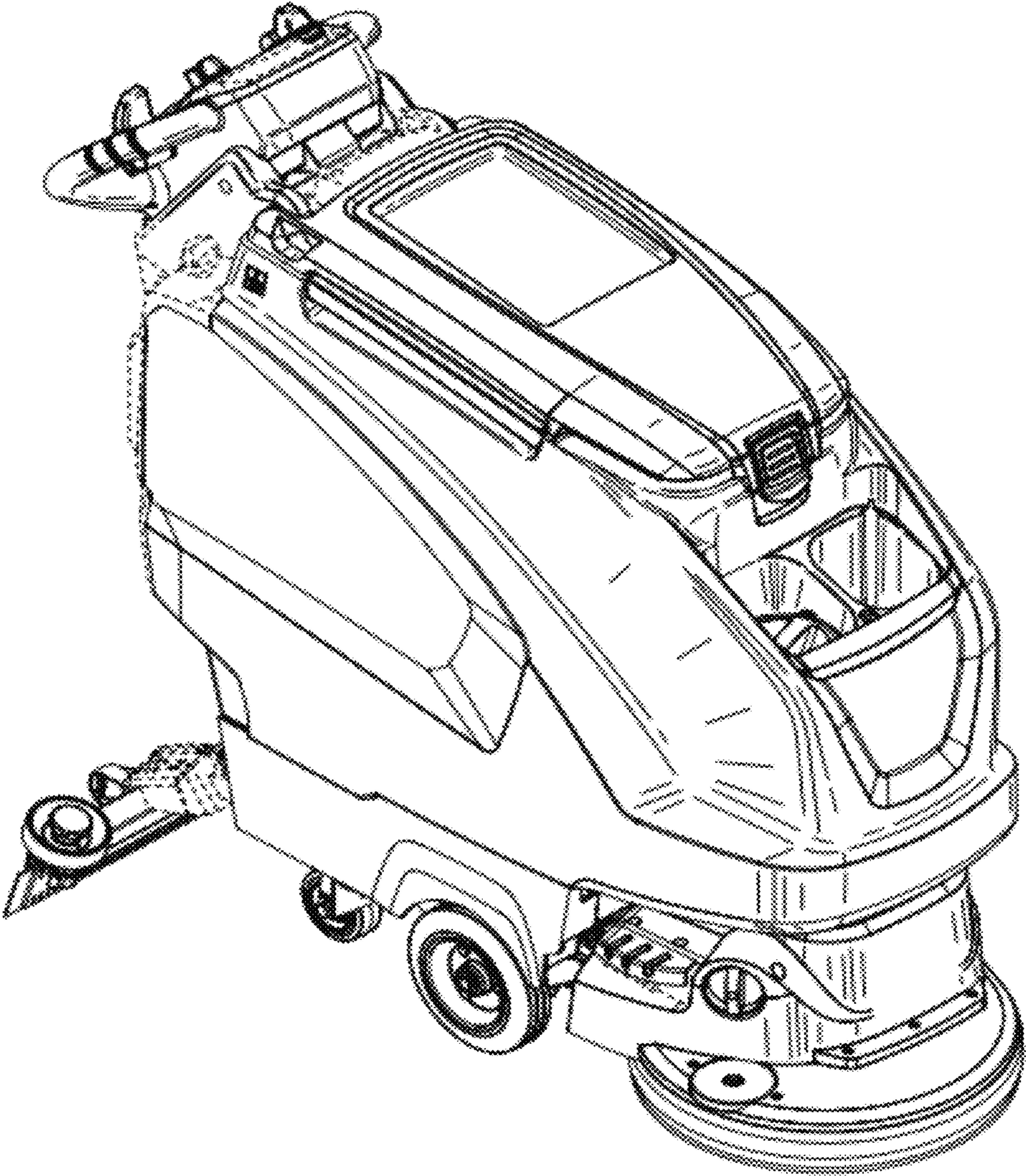


FIG.2

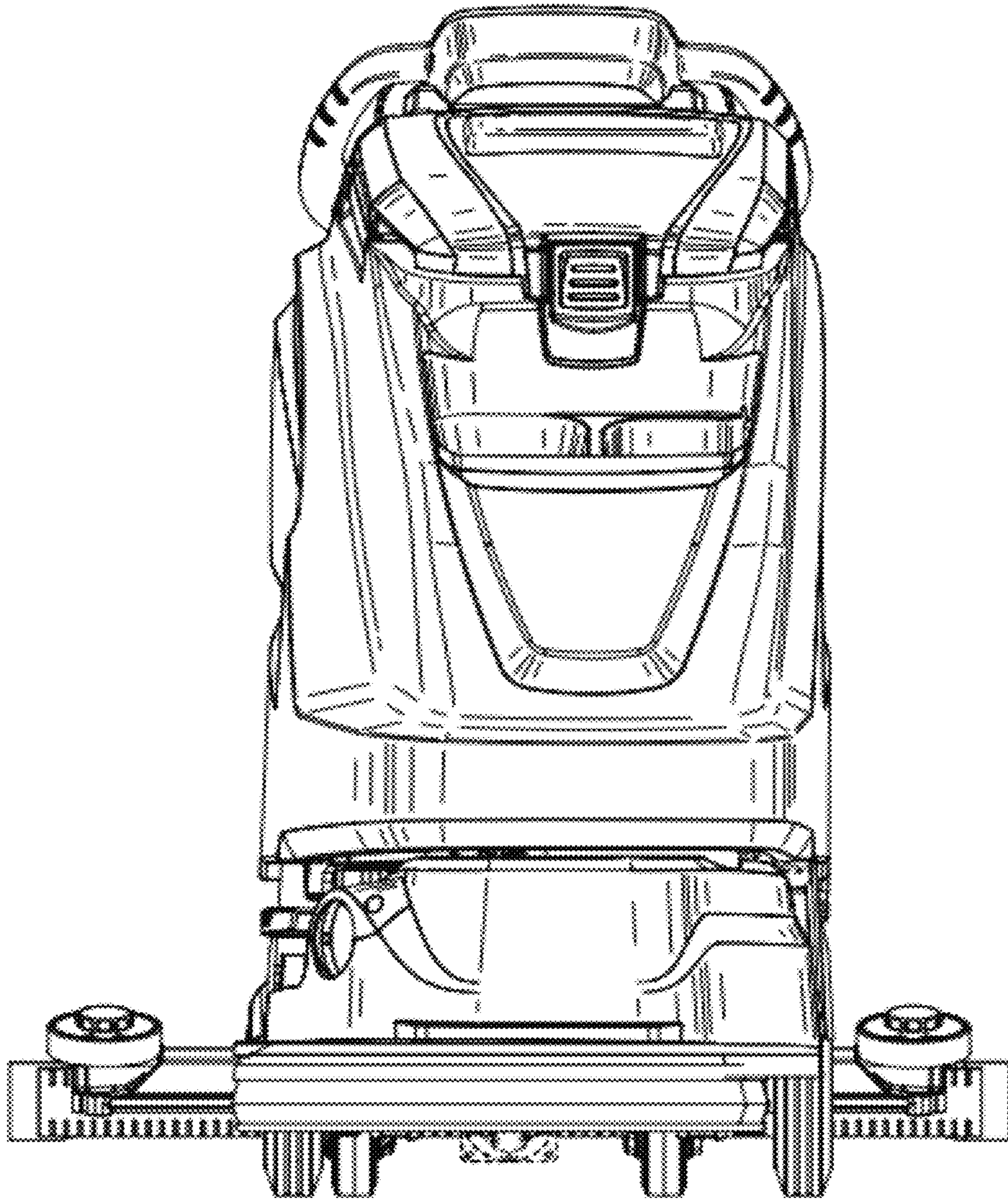


FIG.3

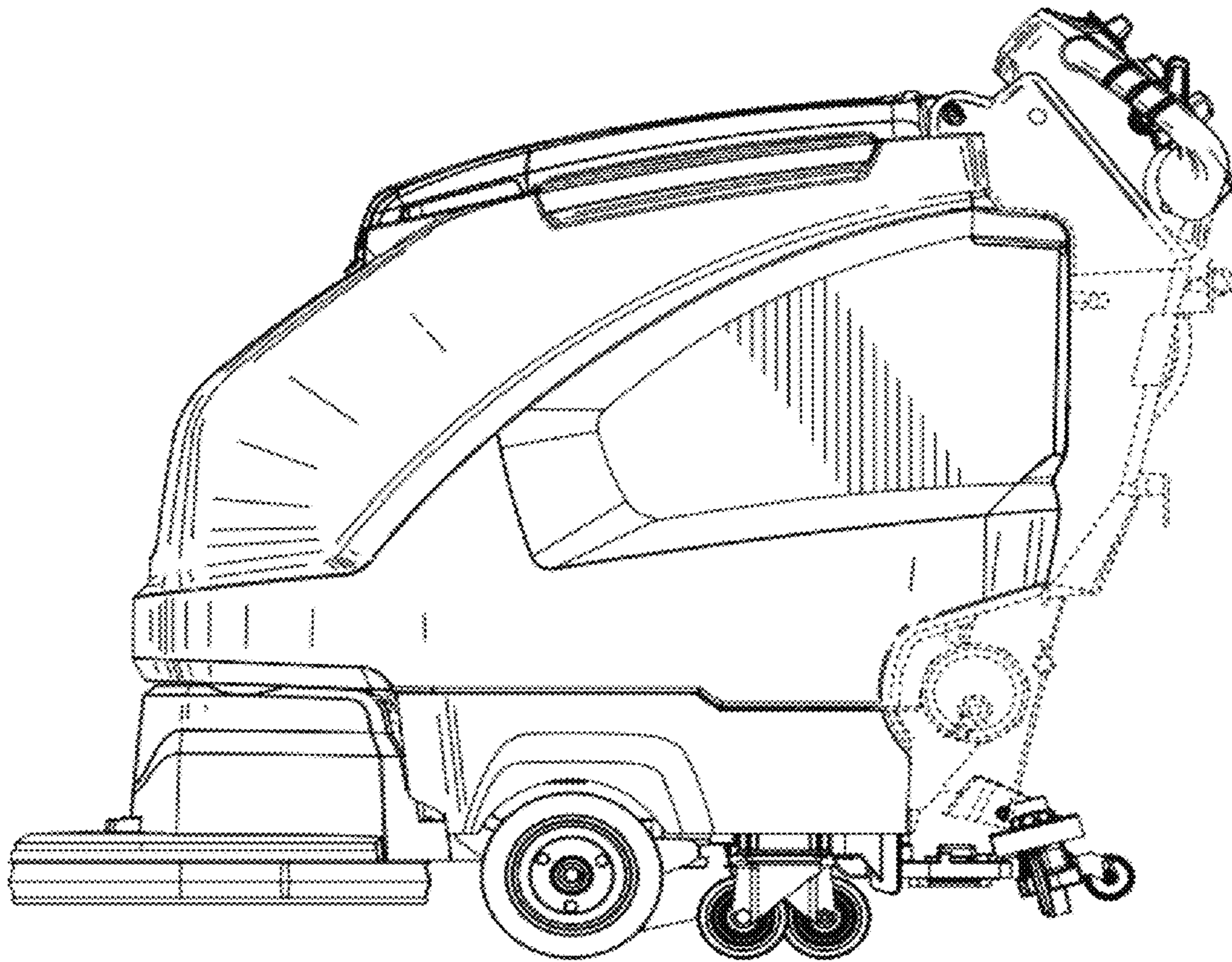


FIG.4

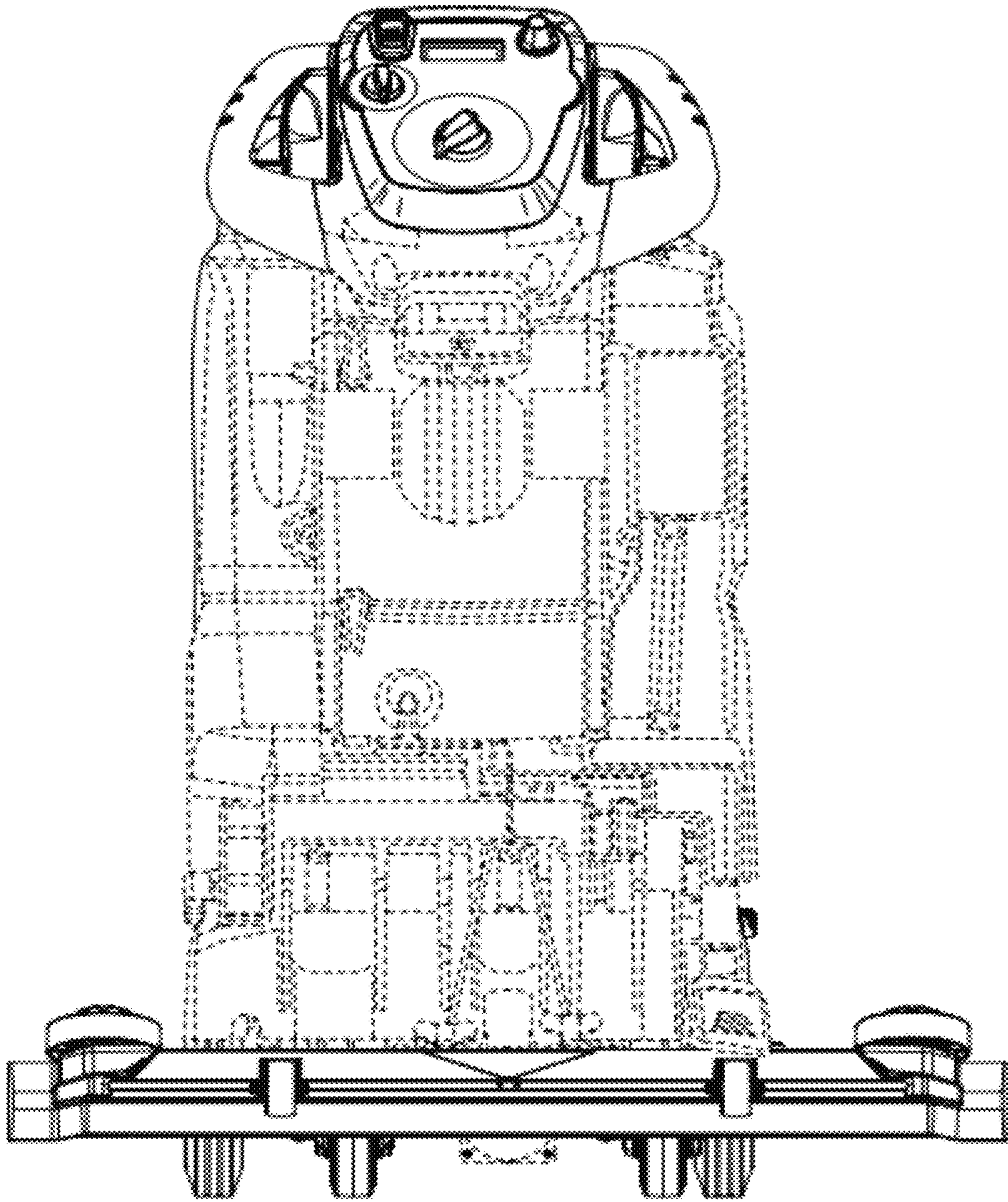


FIG.5

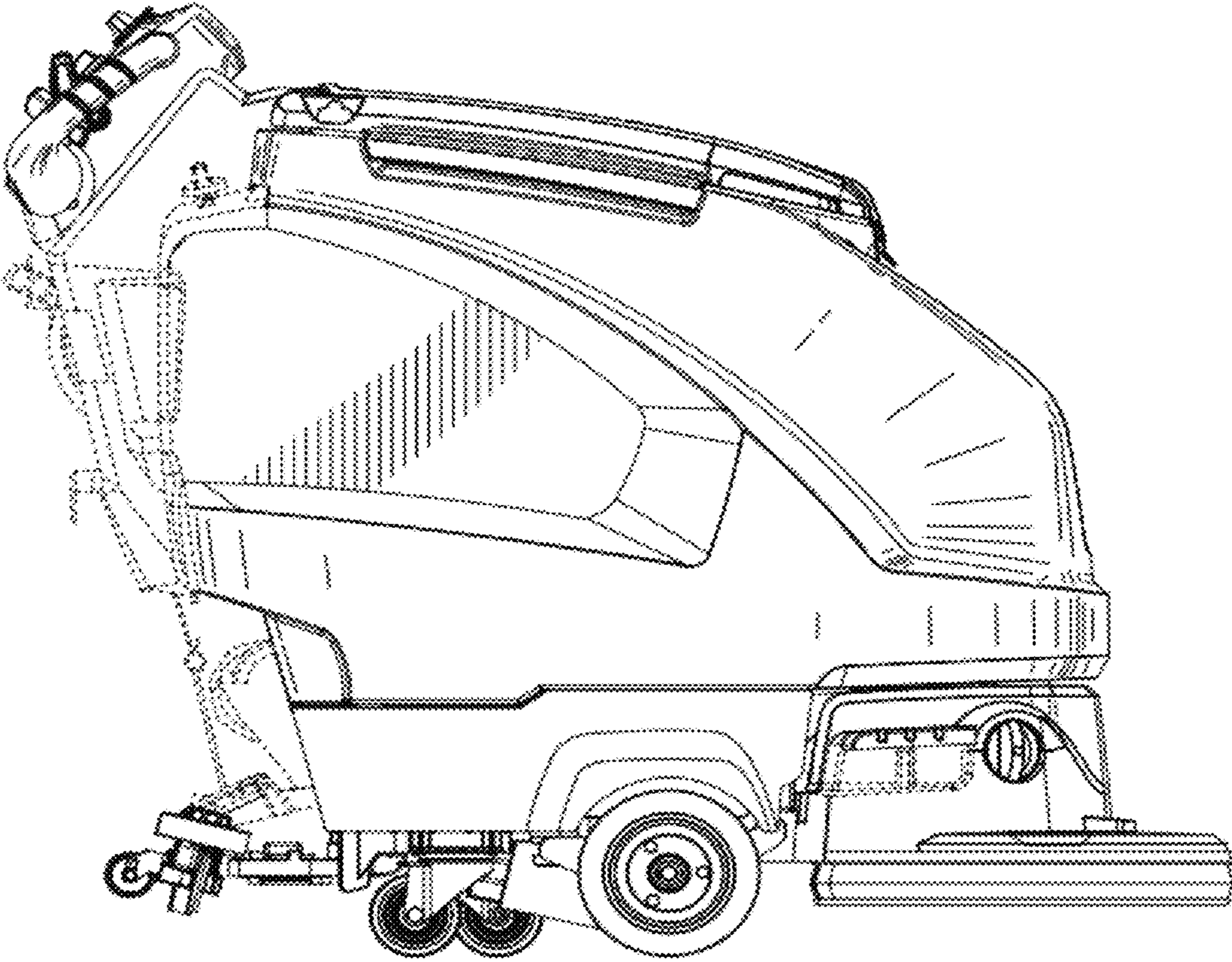


FIG.6

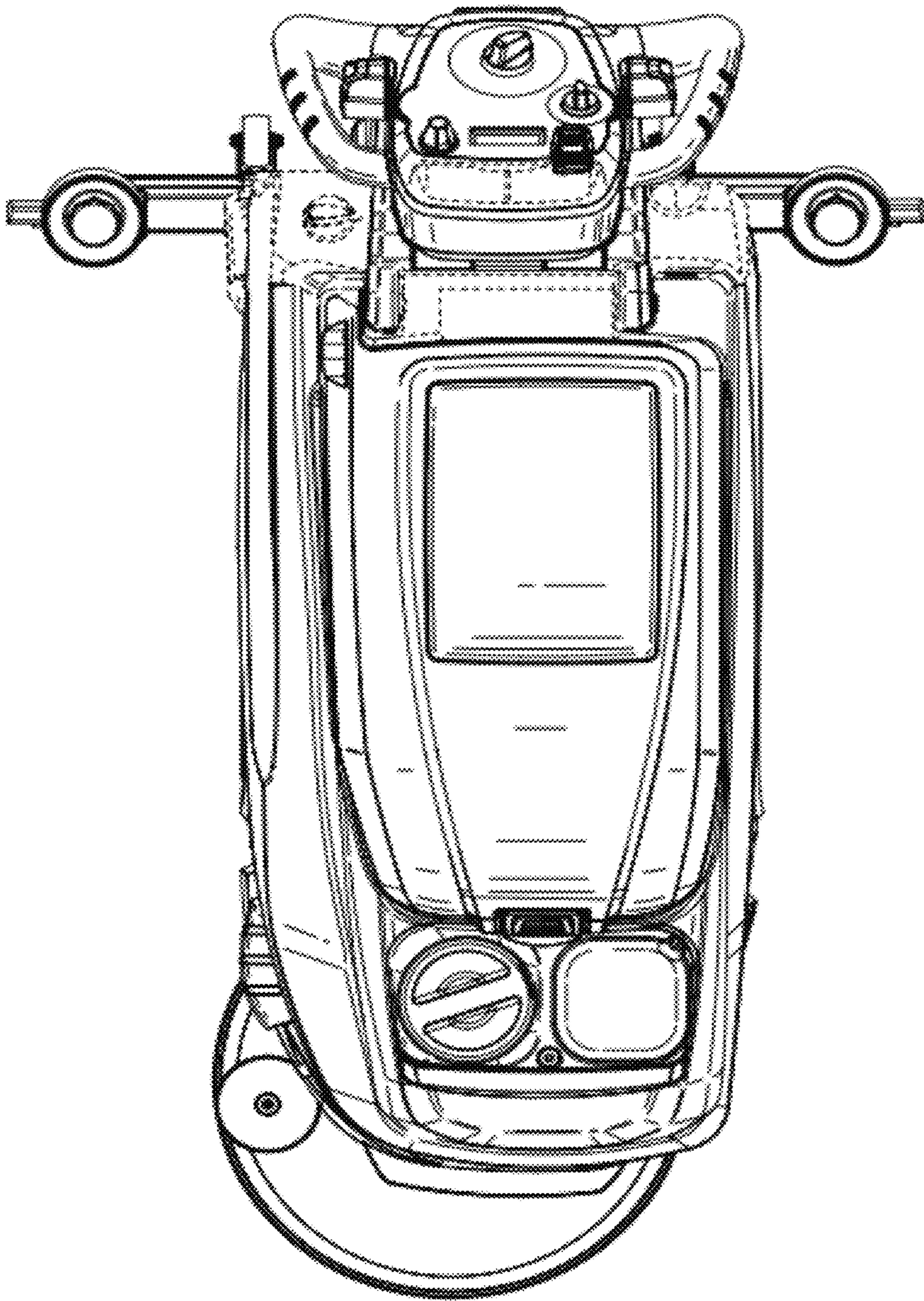


FIG. 7