

US00D661851S

(12) **United States Design Patent**
Nasrallah

(10) **Patent No.:** **US D661,851 S**
(45) **Date of Patent:** **** Jun. 12, 2012**

- (54) **ELECTRIC STEAM CLEANER**
- (76) Inventor: **Ghassan Victor Nasrallah**, Troy, MI (US)
- (**) Term: **14 Years**
- (21) Appl. No.: **29/375,870**
- (22) Filed: **Sep. 29, 2010**
- (51) **LOC (9) Cl.** **15-05**
- (52) **U.S. Cl.** **D32/1**
- (58) **Field of Classification Search** D32/21, D32/31, 17, 18, 32-33, 25, 1, 13; 15/415.1-422, 15/1, 353, 320-322, 398, 403, 209.1, 228; 68/222, 5 R, 5 A, 5 C; 38/77.5; 134/200, 134/172, 184, 135, 144
See application file for complete search history.

- D505,526 S * 5/2005 Tsen D32/21
- D519,249 S * 4/2006 Liu et al. D32/21
- D520,196 S * 5/2006 Liu D32/21
- D522,192 S * 5/2006 Liu et al. D32/21
- D523,597 S * 6/2006 Lee D32/17
- D530,468 S * 10/2006 Lee D32/21
- D531,768 S * 11/2006 Lee D32/21
- D536,492 S * 2/2007 Rosenzweig D32/17
- D563,061 S * 2/2008 Richards et al. D32/1
- D575,912 S * 8/2008 Mangano D32/1
- D580,607 S * 11/2008 Tobias D32/17
- D599,511 S * 9/2009 Massip et al. D32/17
- D601,767 S * 10/2009 Duncan et al. D32/17

(Continued)

OTHER PUBLICATIONS

Samarth Electronics "Ultrasonic Jewelry Cleaner. Retrieved from: <http://www.ultrasoniccleaningequipments.com/ultrasonic-cleaners-for-jewellery-manufacturing.html>." Retrieved from Internet on Feb. 1, 2012.*

(Continued)

(56) **References Cited**

U.S. PATENT DOCUMENTS

- D223,508 S * 4/1972 Fresard D32/1
- D239,048 S * 3/1976 Hewett D32/1
- D274,850 S * 7/1984 Smith D32/1
- D276,472 S * 11/1984 Harrison D32/1
- D287,653 S * 1/1987 Nelson D32/1
- D288,017 S * 1/1987 Linton D32/1
- D315,039 S * 2/1991 Wortham D32/1
- 5,000,209 A * 3/1991 Mann 134/135
- D332,329 S * 1/1993 Hood et al. D32/8
- D406,416 S * 3/1999 Chan D32/1
- D436,423 S * 1/2001 Yoon D32/4
- D445,973 S * 7/2001 Chen D32/21
- D451,653 S * 12/2001 Berreth et al. D32/17
- D463,889 S * 10/2002 Buzzi D32/17
- D465,886 S * 11/2002 Doria D32/17
- D471,682 S * 3/2003 Chen D32/21
- D473,025 S * 4/2003 Simmons D32/17
- D482,165 S * 11/2003 Kay D32/1
- D489,499 S * 5/2004 Buzzi D32/17
- D499,517 S * 12/2004 Chen D32/17

Primary Examiner — Ruth McInroy

(74) *Attorney, Agent, or Firm* — Frederick W. Mau, II

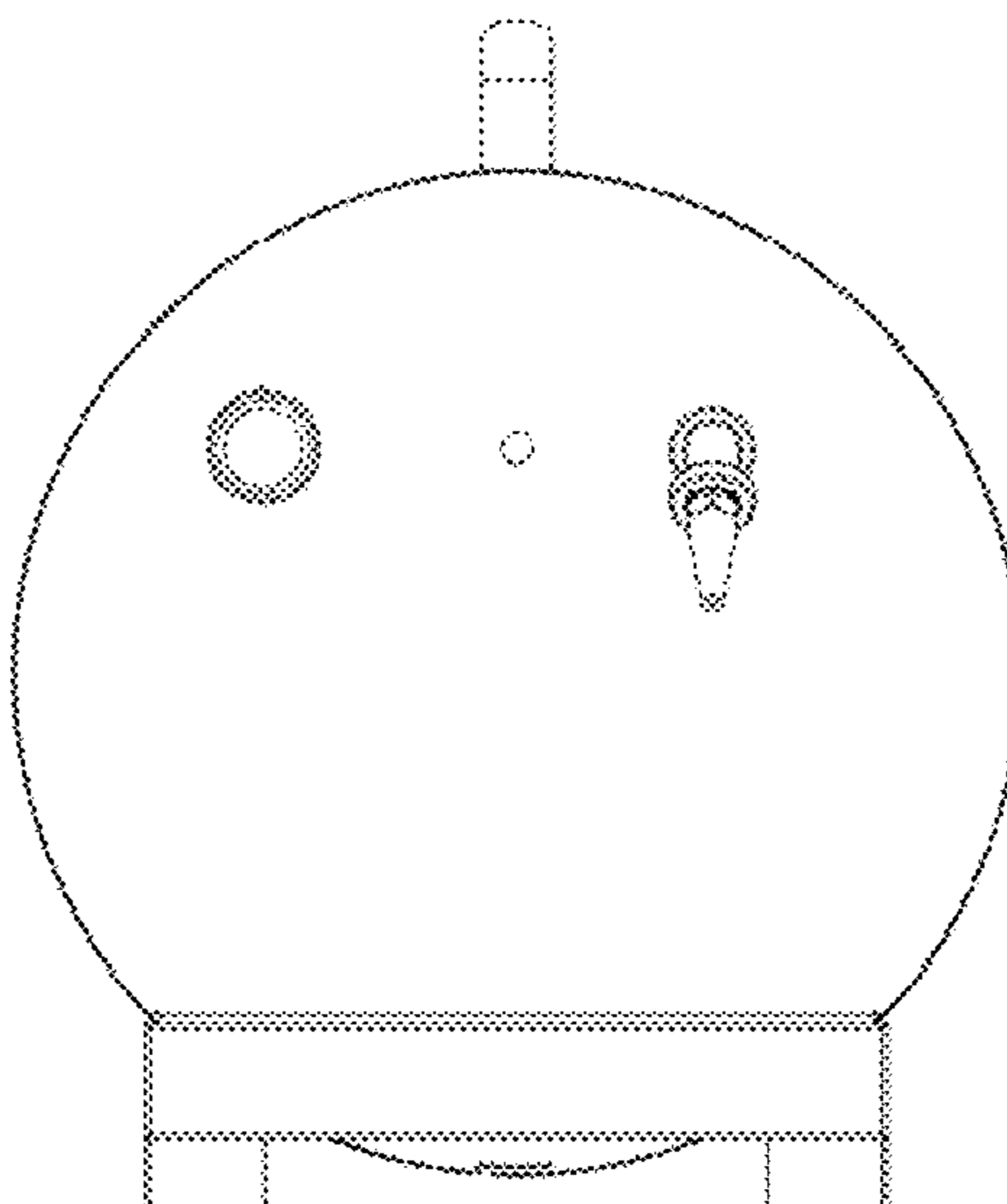
(57) **CLAIM**

The ornamental design for an electric steam cleaner, as shown and described.

DESCRIPTION

FIG. 1 is a perspective view of an electric steam cleaner showing my new design;
FIG. 2 is a side view of the left side thereof;
FIG. 3 is a side view of the right side thereof;
FIG. 4 is a front view thereof;
FIG. 5 is a rear view thereof;
FIG. 6 is a top plan view thereof; and,
FIG. 7 is a bottom plan view thereof.

1 Claim, 7 Drawing Sheets



US D661,851 S

Page 2

U.S. PATENT DOCUMENTS

D623,364 S * 9/2010 Ediger et al. D32/17
D623,365 S * 9/2010 Ediger et al. D32/17
D623,366 S * 9/2010 Ediger et al. D32/17
D627,940 S * 11/2010 Smith D32/17
2005/0268950 A1* 12/2005 Glucksman et al. 134/135
2009/0255302 A1* 10/2009 Haan 68/222
2010/0031707 A1* 2/2010 Krebs et al. 68/222

OTHER PUBLICATIONS

Esslinger.com. GemOro Limited Edition Sparkle Spa Ultrasonic Jewelry Cleaner Pink. Retrieved from: "<http://www.esslinger.com/sparklespapkbreastcancerawareness.aspx>." Retrieved from Internet on Feb. 1, 2012.*

* cited by examiner

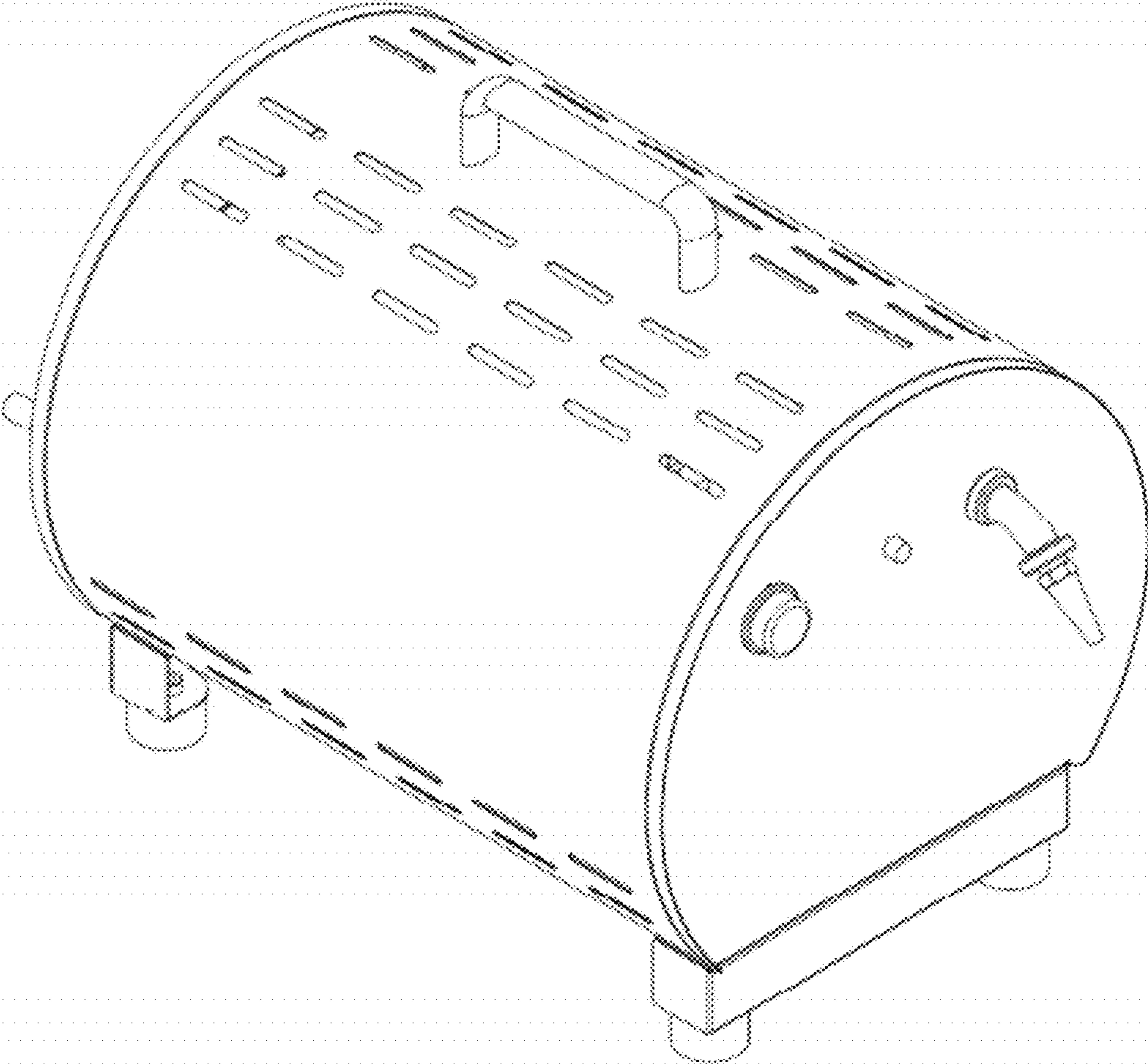


Figure 1

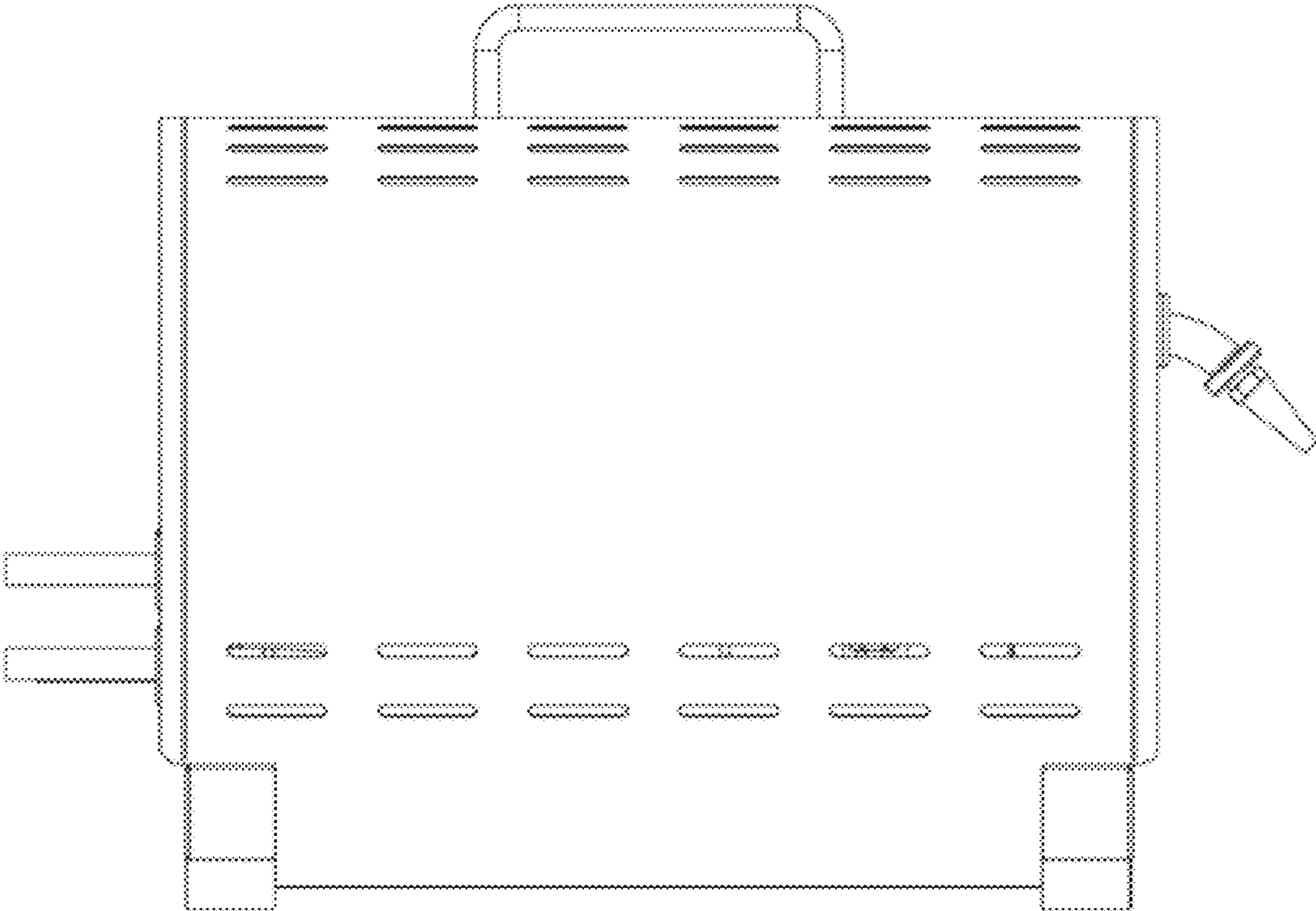


Figure 2

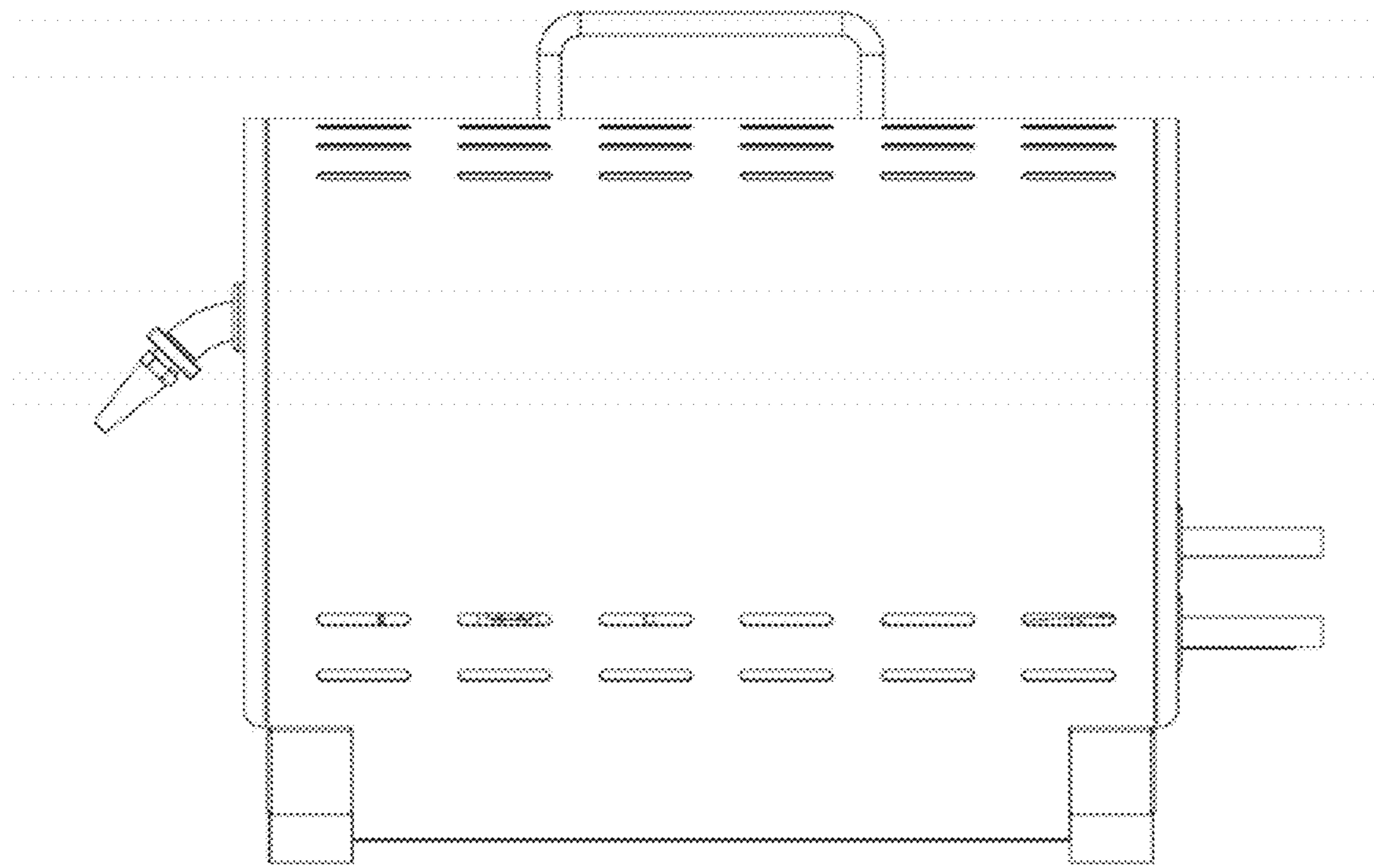


Figure 3

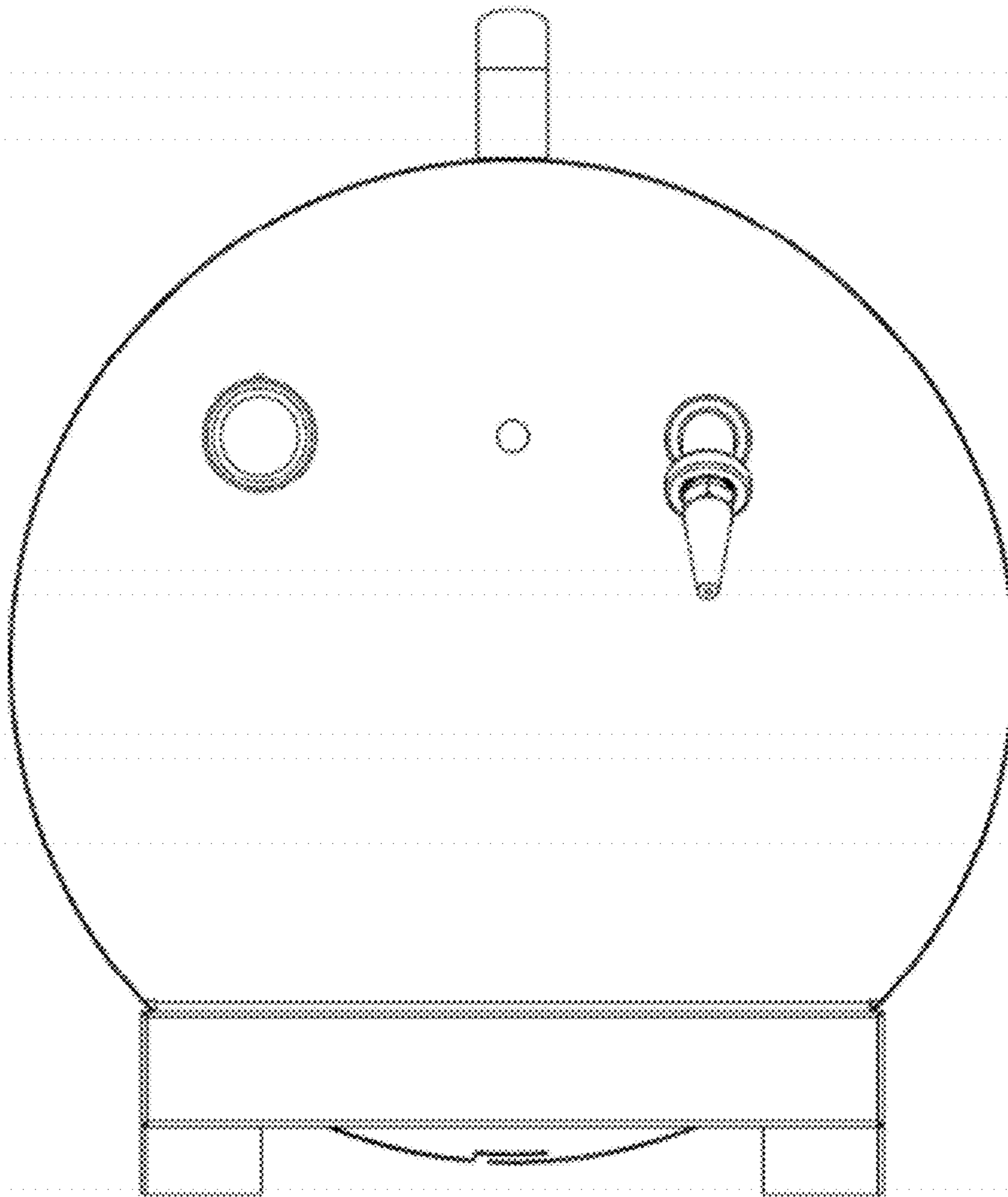


Figure 4

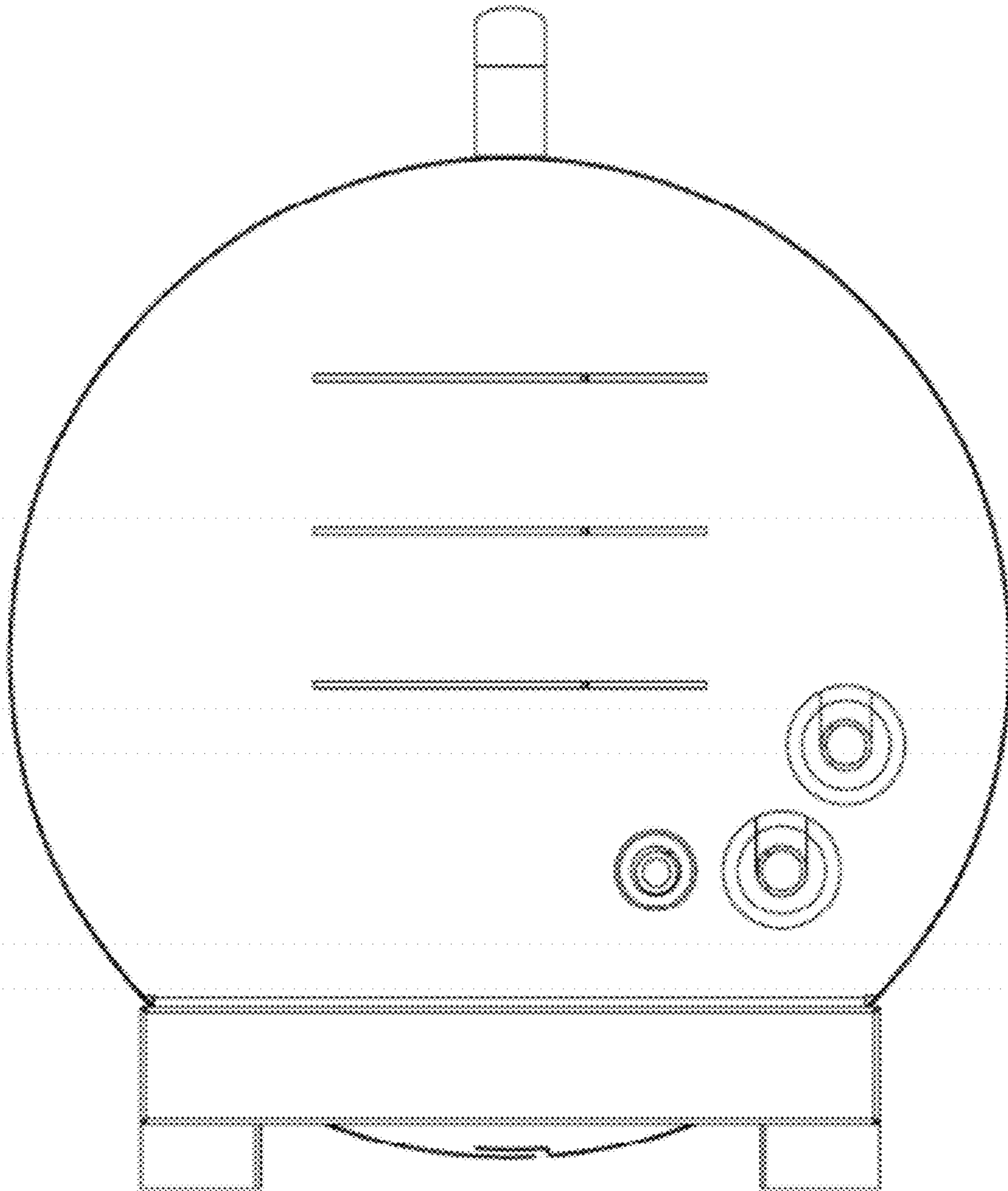


Figure 5

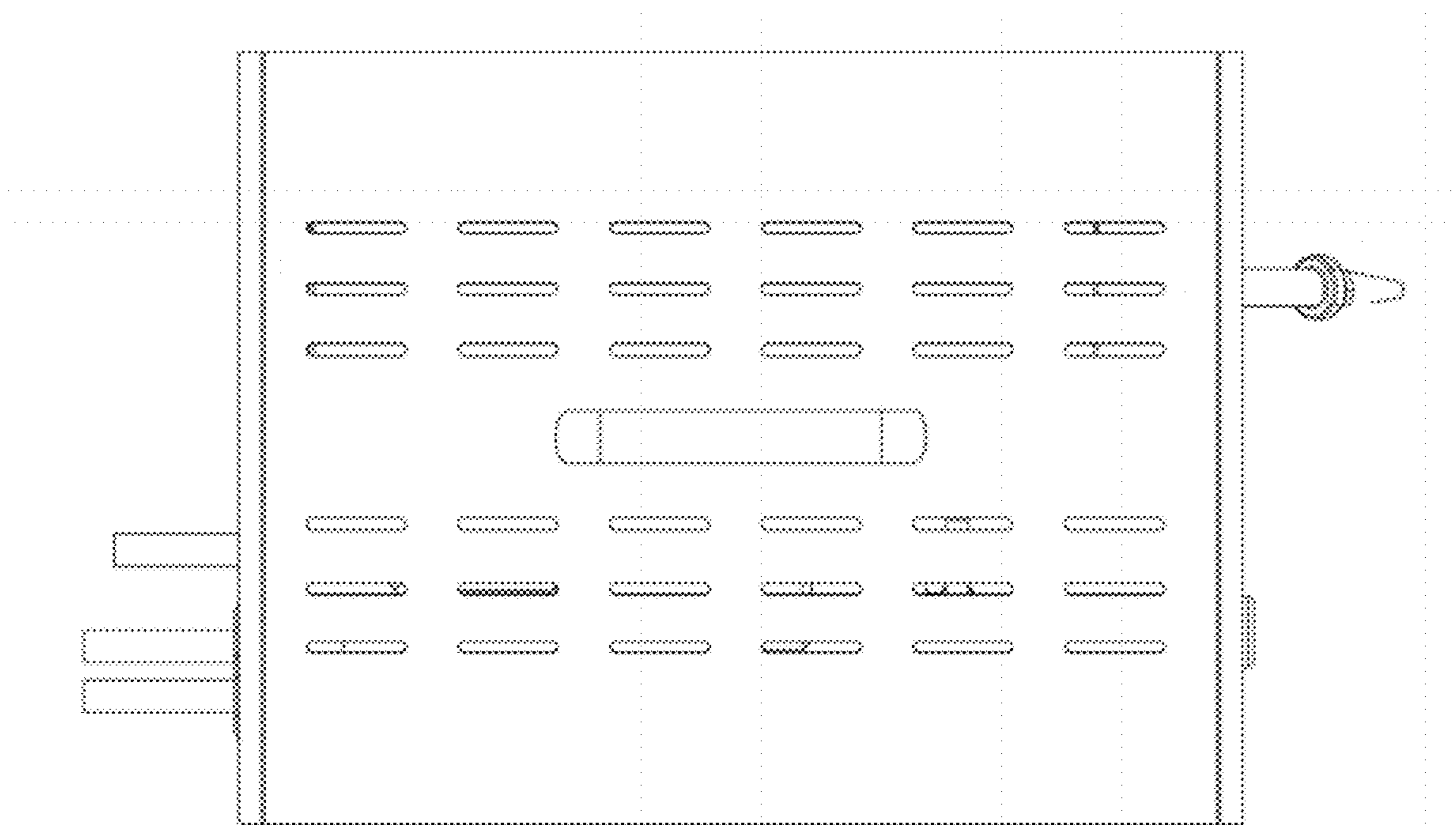


Figure 6

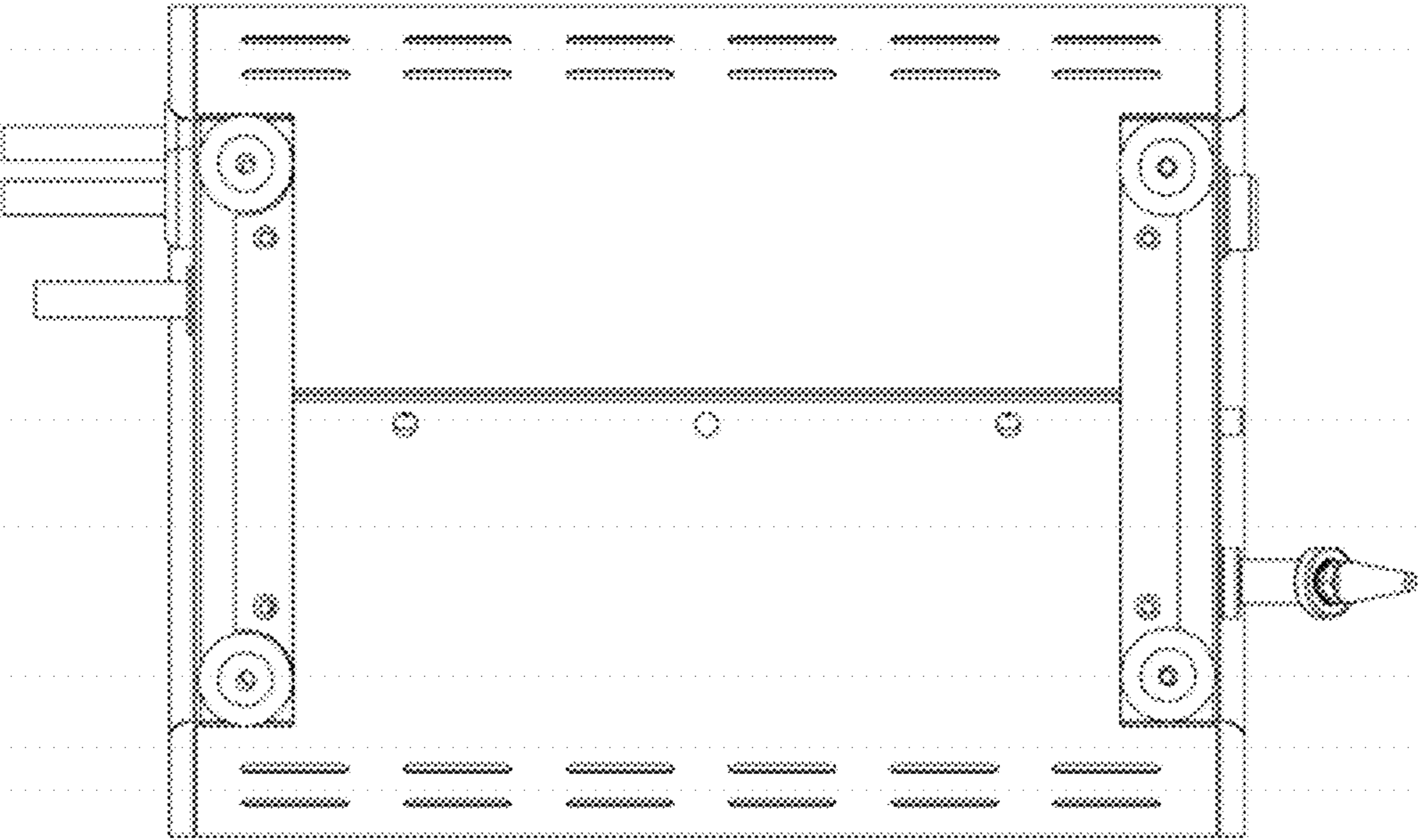


Figure 7