



US00D661849S

(12) **United States Design Patent**  
**Soto**

(10) **Patent No.:** **US D661,849 S**  
(45) **Date of Patent:** **\*\* Jun. 12, 2012**

(54) **CAT WOBBLER TOY**

(75) Inventor: **Johann Soto**, Secaucus, NJ (US)

(73) Assignee: **The Hartz Mountain Corporation**,  
Secaucus, NJ (US)

(\*\*) Term: **14 Years**

(21) Appl. No.: **29/397,800**

(22) Filed: **Jul. 21, 2011**

(51) **LOC (9) Cl.** ..... **30-99**

(52) **U.S. Cl.** ..... **D30/160**

(58) **Field of Classification Search** ..... D30/160;  
D11/158; D21/415, 418, 617, 787; 119/702,  
119/706-711

See application file for complete search history.

(56) **References Cited**

U.S. PATENT DOCUMENTS

D39,775 S *	1/1909	Schoenhut	.....	D21/418
D50,316 S *	2/1917	Morse	.....	D21/617
D149,935 S *	6/1948	Cohn	.....	D21/623
D188,952 S *	10/1960	Laganella	.....	D21/418
D192,145 S *	1/1962	Rebold	.....	D21/617
D213,210 S *	1/1969	Correia, Jr.	.....	D21/418
D225,882 S *	1/1973	Thornell	.....	D21/415

D273,026 S *	3/1984	Emms et al.	.....	D21/415
D314,019 S *	1/1991	Young	.....	D21/415
D373,859 S *	9/1996	Markham et al.	.....	D30/160
D380,879 S *	7/1997	Hernandez	.....	D30/160
D407,868 S *	4/1999	Axelrod	.....	D30/160
D411,042 S *	6/1999	Willinger	.....	D30/160
D412,767 S *	8/1999	Bemis et al.	.....	D30/160
D453,400 S *	2/2002	Kaplan	.....	D30/160
D628,492 S *	12/2010	Kim	.....	D21/617
D636,541 S *	4/2011	Oblack et al.	.....	D30/160
2011/0094155 A1 *	4/2011	Tompkins	.....	119/706

\* cited by examiner

*Primary Examiner* — Cathy A MacCormac

(74) *Attorney, Agent, or Firm* — Gottlieb, Rackman & Reisman, P.C.

(57) **CLAIM**

The ornamental design for a cat wobbler toy, as shown and described.

**DESCRIPTION**

FIG. 1 is a perspective view showing a first embodiment of my new design:

FIG. 2 is a top plan view thereof;

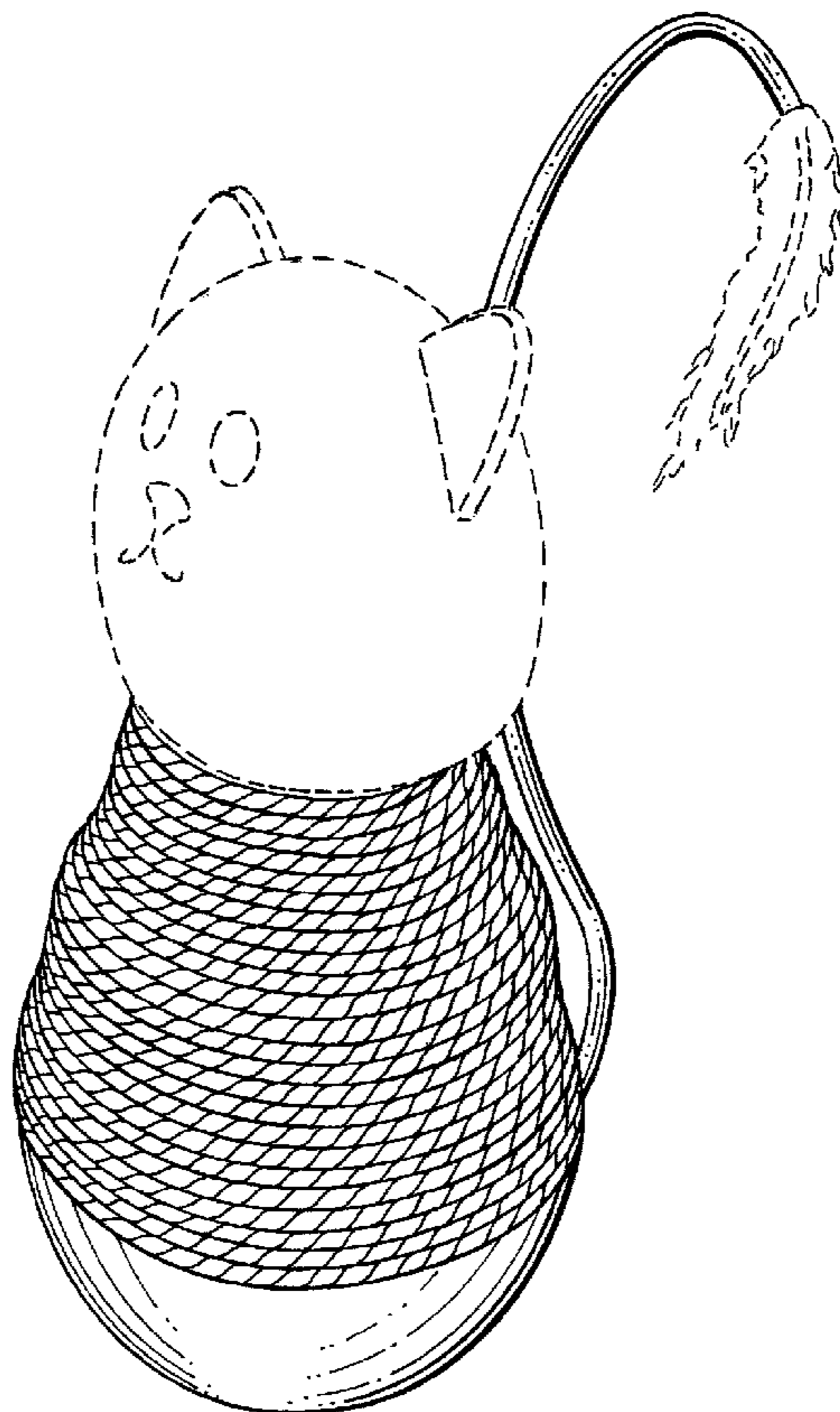
FIG. 3 is a front elevational view thereof;

FIG. 4 is a side elevational view thereof;

FIG. 5 is a rear elevational view thereof; and,

FIG. 6 is a bottom plan view thereof.

**1 Claim, 3 Drawing Sheets**



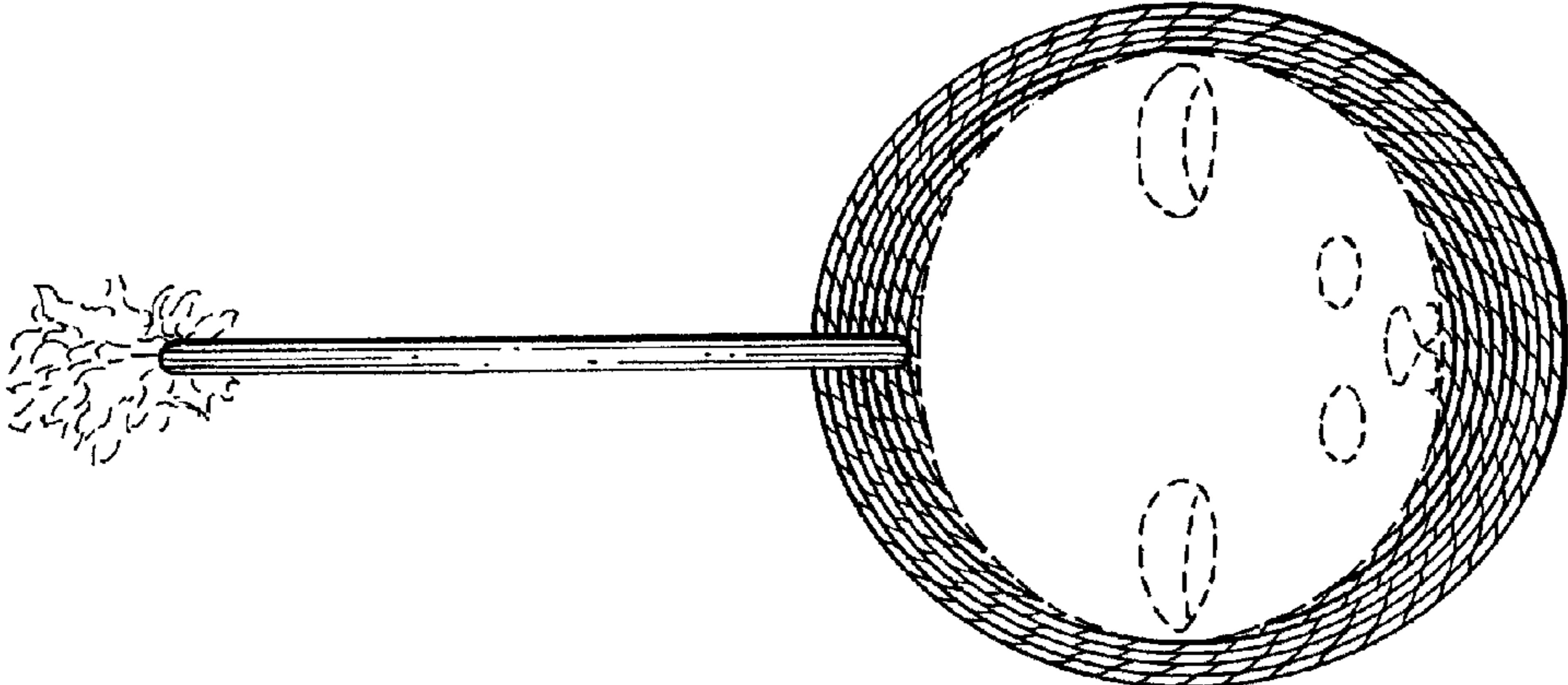


FIG. 2

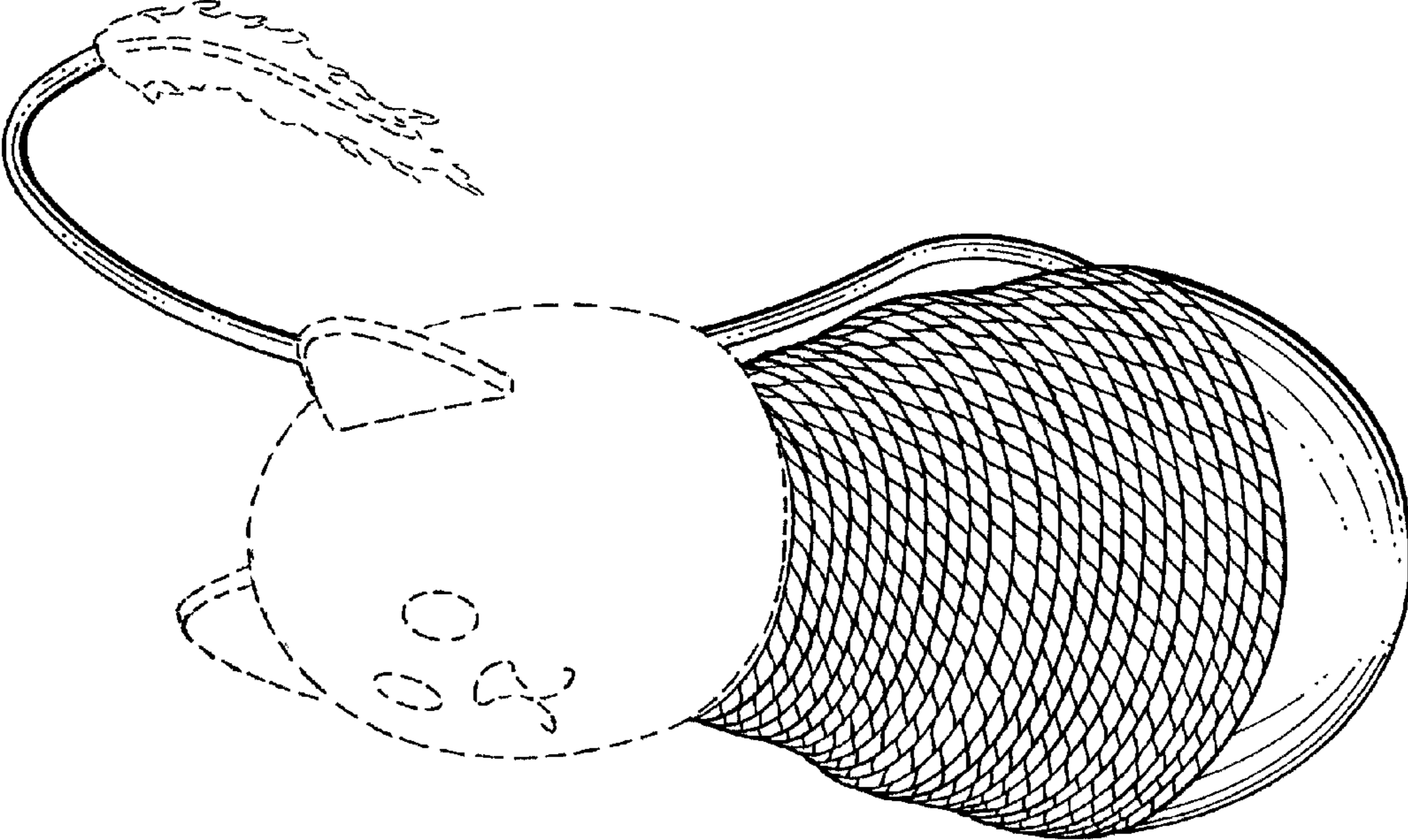


FIG. 1

FIG. 3

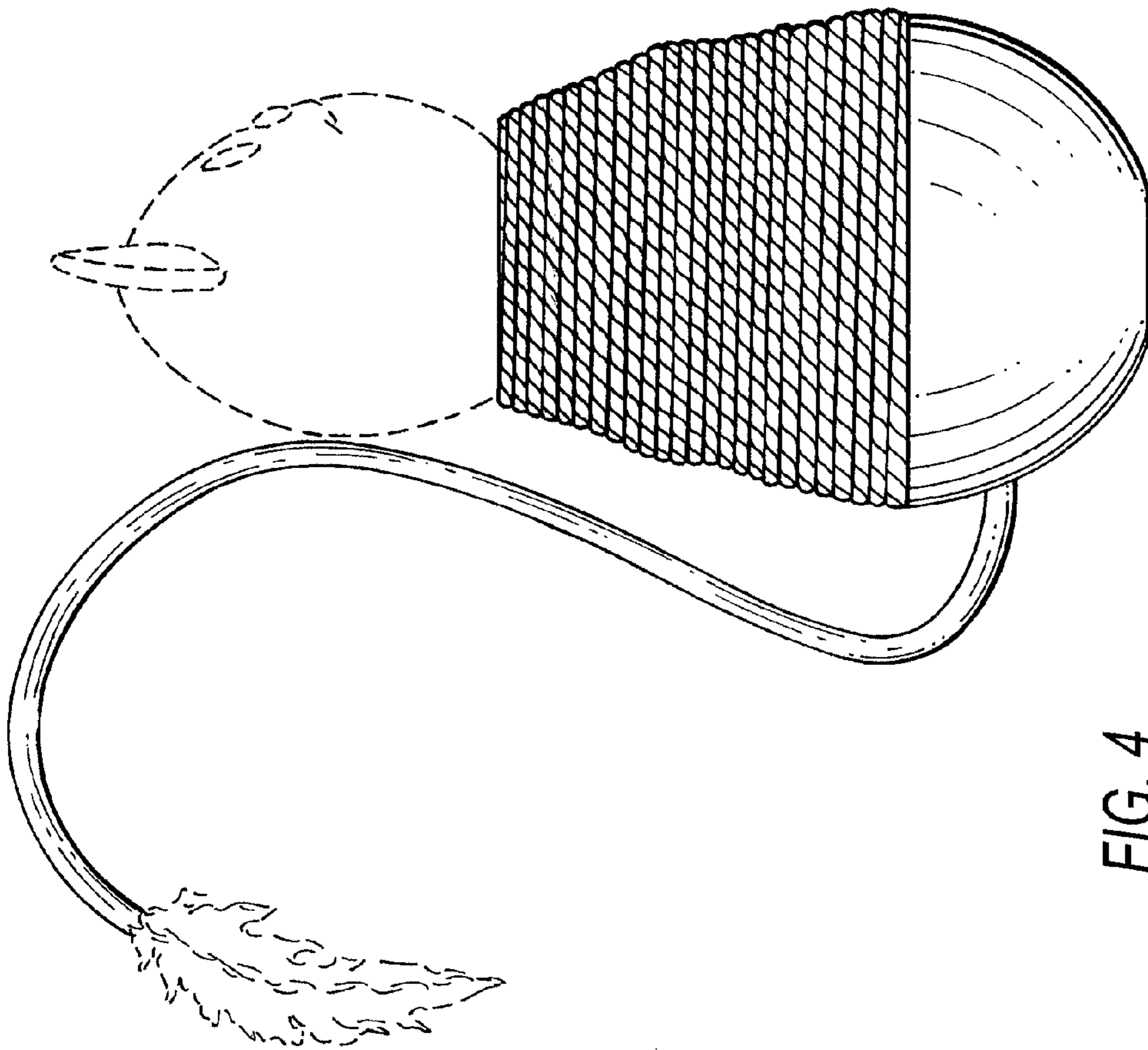
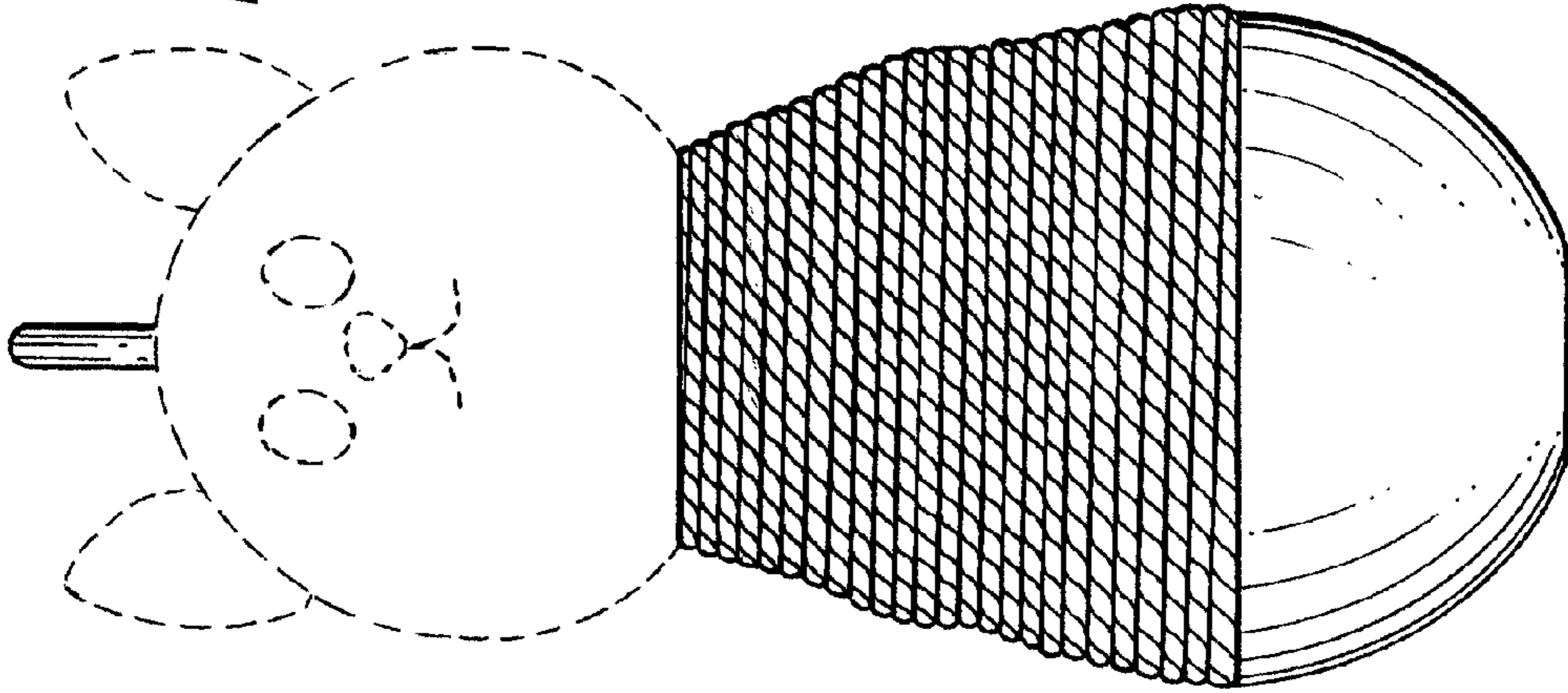


FIG. 4



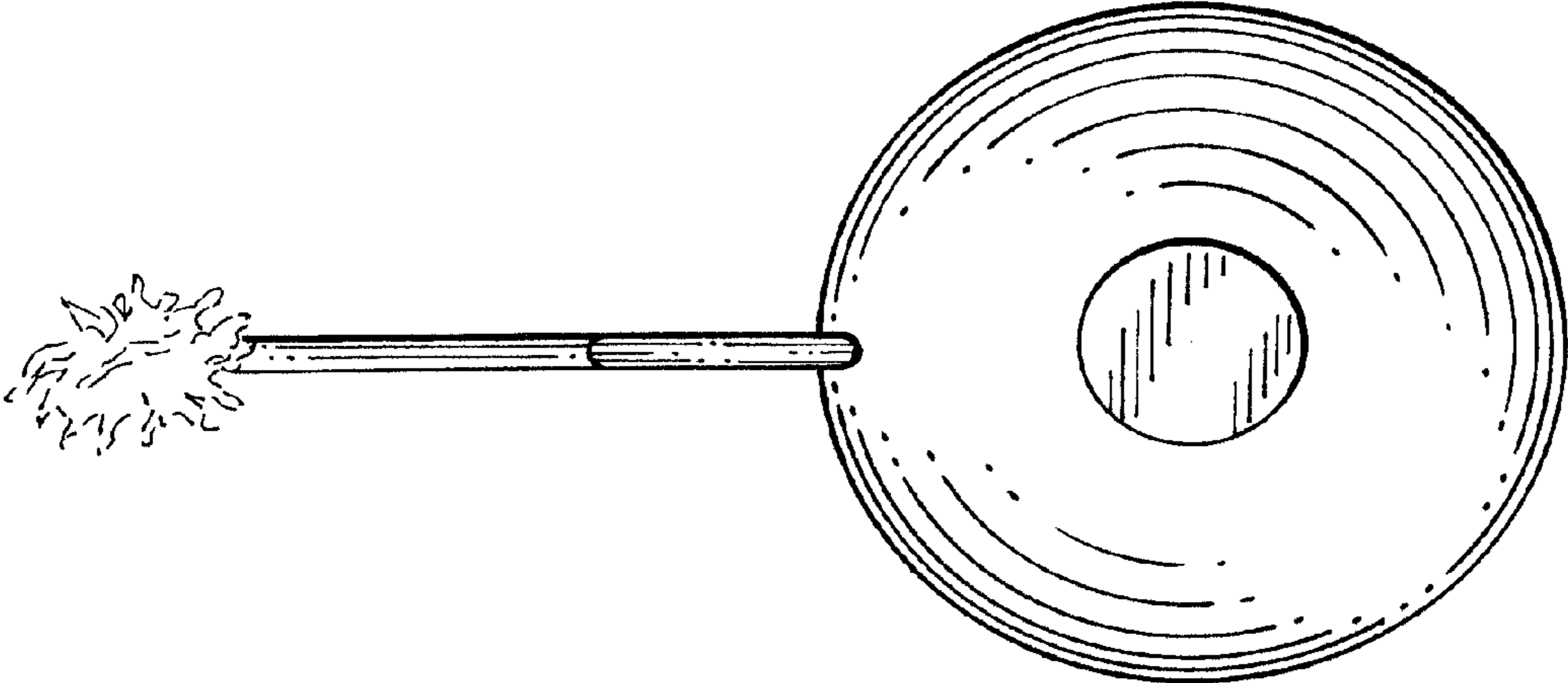


FIG. 6

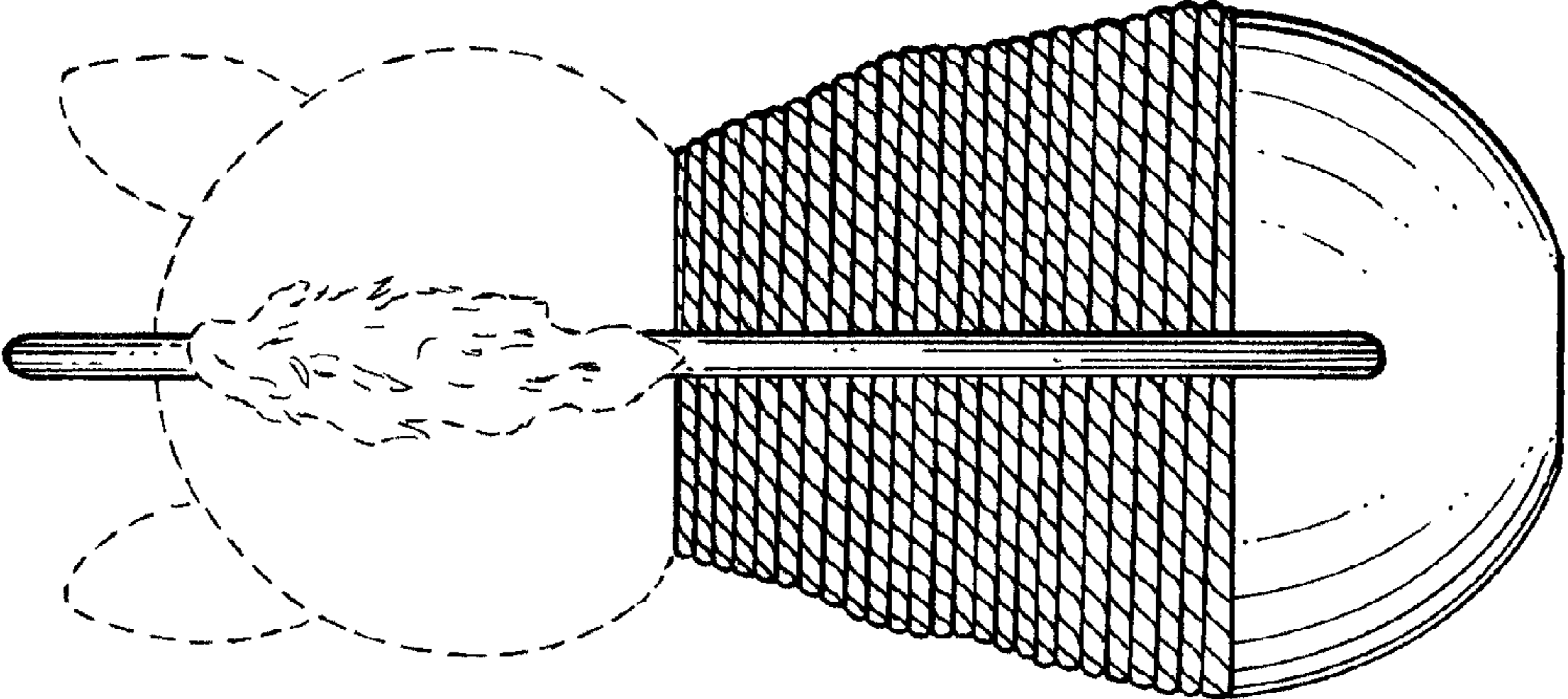


FIG. 5