

US00D661840S

(12) **United States Design Patent**  
**Klotz et al.**

(10) **Patent No.:** **US D661,840 S**  
(45) **Date of Patent:** **\*\* Jun. 12, 2012**

(54) **VISOR FRAME**

(75) Inventors: **Robert Klotz**, Jefferson Hills, PA (US);  
**Rebecca Kreke**, Pittsburgh, PA (US);  
**Mark Hall**, Spring Church, PA (US)

(73) Assignee: **Mine Safety Appliances Company**,  
Cranberry Township, PA (US)

(\*\*) Term: **14 Years**

(21) Appl. No.: **29/388,893**

(22) Filed: **Apr. 4, 2011**

(51) **LOC (9) Cl.** ..... **29-02**

(52) **U.S. Cl.** ..... **D29/109**

(58) **Field of Classification Search** ..... D29/100,  
D29/102-110, 122; D2/891, 893, 894; D24/110.1,  
D24/110.2, 191; 2/410, 411, 412, 424, 425,  
2/10, 15, 452, 454, 9, 206; 128/857, 858  
See application file for complete search history.

(56) **References Cited**

U.S. PATENT DOCUMENTS

1,452,305	A	*	4/1923	Mahony	.....	2/12
1,790,328	A	*	1/1931	Savage	.....	2/12
2,286,287	A	*	6/1942	Livingston	.....	2/174
3,237,204	A	*	3/1966	Honsaker et al.	.....	2/13
3,480,966	A	*	12/1969	Molitoris et al.	.....	2/421
3,605,115	A	*	9/1971	Bohner	.....	2/10
D299,766	S	*	2/1989	Friedson	.....	D29/122
D333,366	S	*	2/1993	Brown	.....	D29/109
D403,492	S	*	1/1999	Tseng	.....	D2/893
D404,848	S	*	1/1999	Banuchi	.....	D29/110
D427,381	S	*	6/2000	Ho	.....	D29/109

D454,667	S	*	3/2002	Chartrand et al.	.....	D29/110
D454,988	S	*	3/2002	Simpson	.....	D29/122
D455,523	S	*	4/2002	Yungblut	.....	D29/122
D455,524	S	*	4/2002	Simpson	.....	D29/122
D457,987	S	*	5/2002	Cheng	.....	D29/122
D539,485	S	*	3/2007	Huh	.....	D29/110
D584,010	S	*	12/2008	Fernandes et al.	.....	D29/122
D587,858	S	*	3/2009	Brace et al.	.....	D29/122
D607,608	S	*	1/2010	Taylor	.....	D29/109
D612,544	S	*	3/2010	Brace et al.	.....	D29/122
D624,287	S	*	9/2010	Shamchander	.....	D2/892

\* cited by examiner

*Primary Examiner* — Elizabeth J Oswecki

(74) *Attorney, Agent, or Firm* — Bartony & Associates, LLC

(57) **CLAIM**

The ornamental design for a visor frame, as shown and described.

**DESCRIPTION**

FIG. 1 is a perspective view of a visor frame showing our new design;

FIG. 2 is a perspective view thereof attached to a helmet and having a visor attached thereto, wherein the helmet and visor are shown in broken lines;

FIG. 3 is a front view thereof;

FIG. 4 is a rear view thereof;

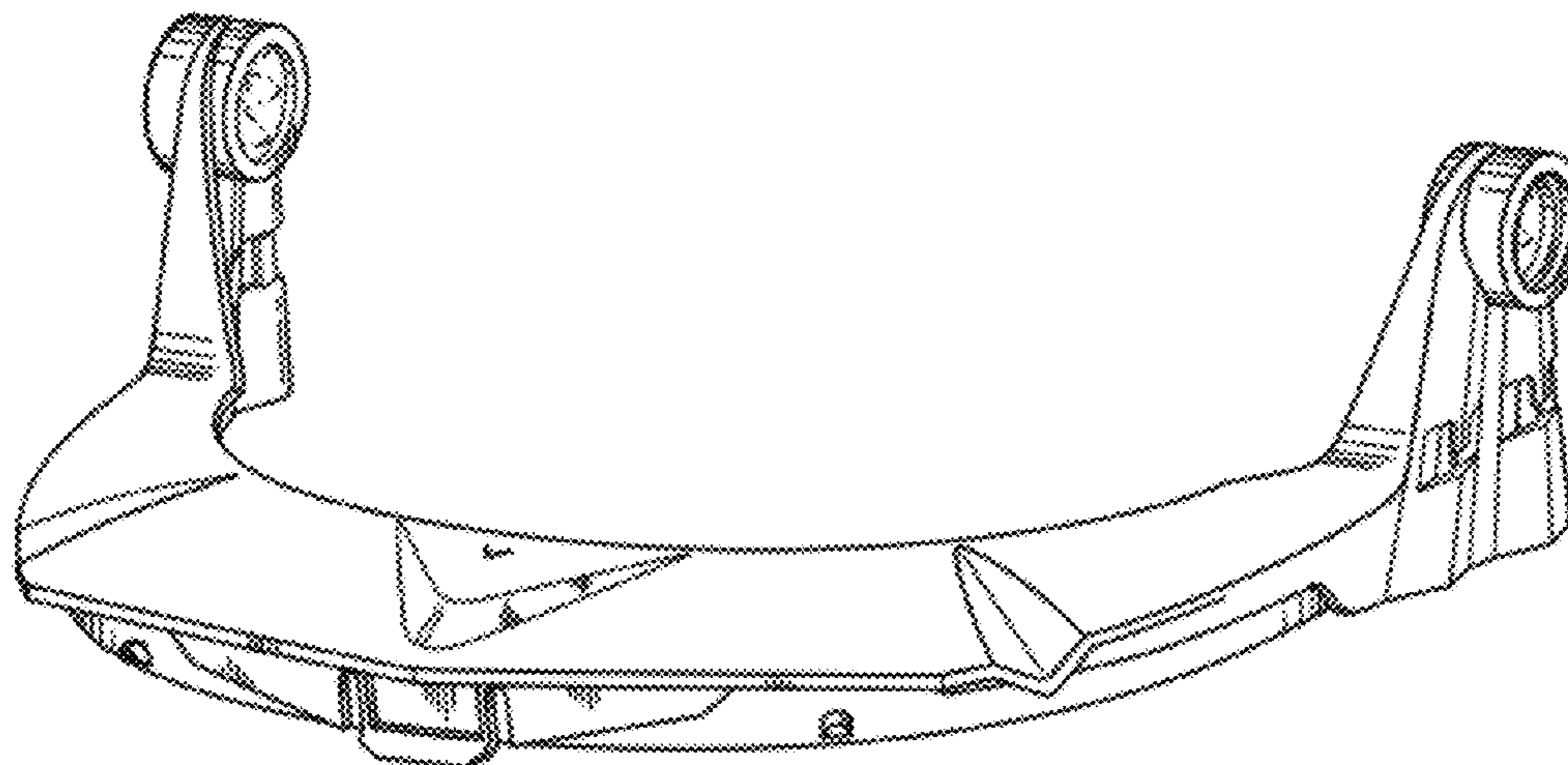
FIG. 5 is a side view thereof, the opposite side view is identical;

FIG. 6 is a top plan view thereof; and,

FIG. 7 is a bottom plan view thereof.

The broken lines shown in the Figures form no part of the claimed design.

**1 Claim, 4 Drawing Sheets**



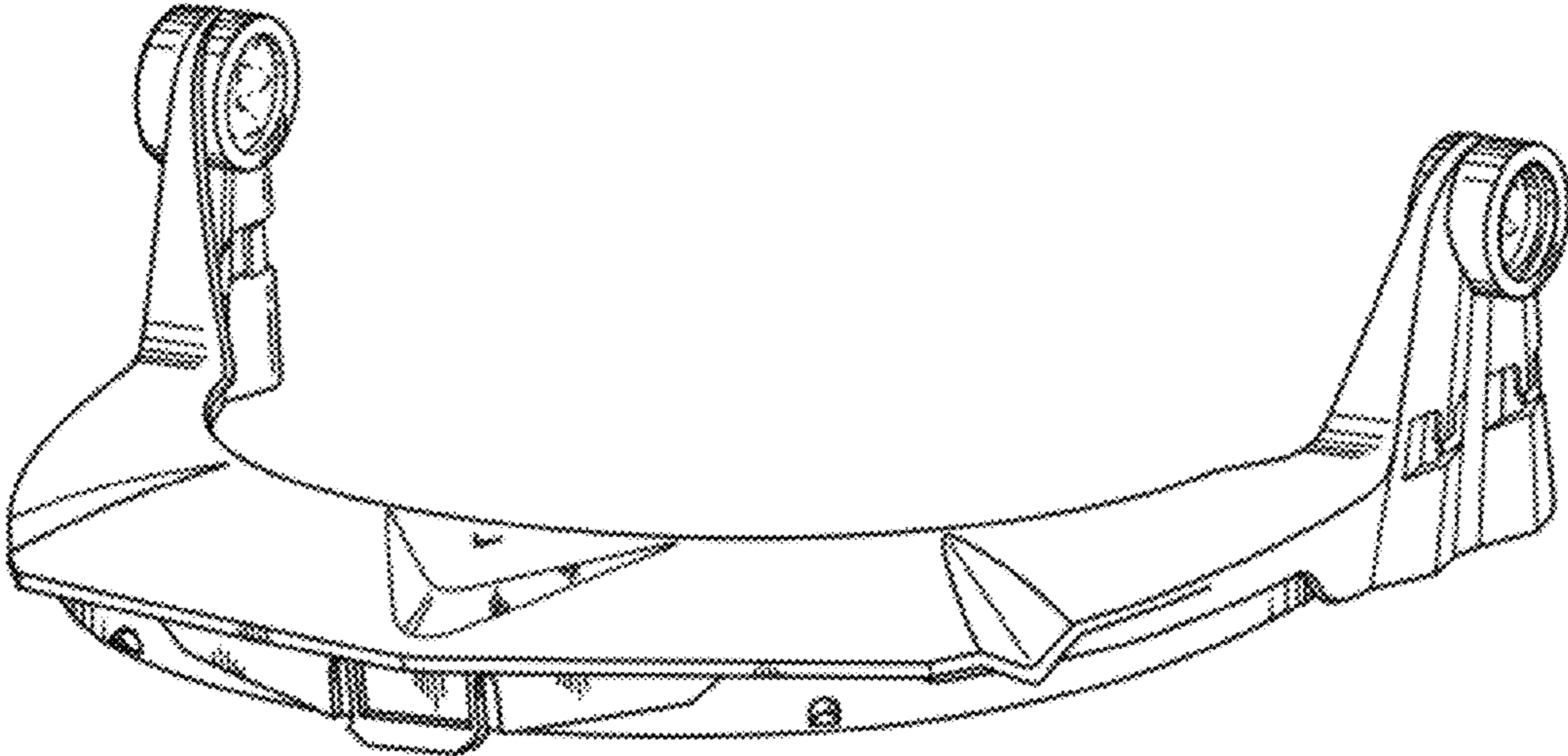


FIG. 1

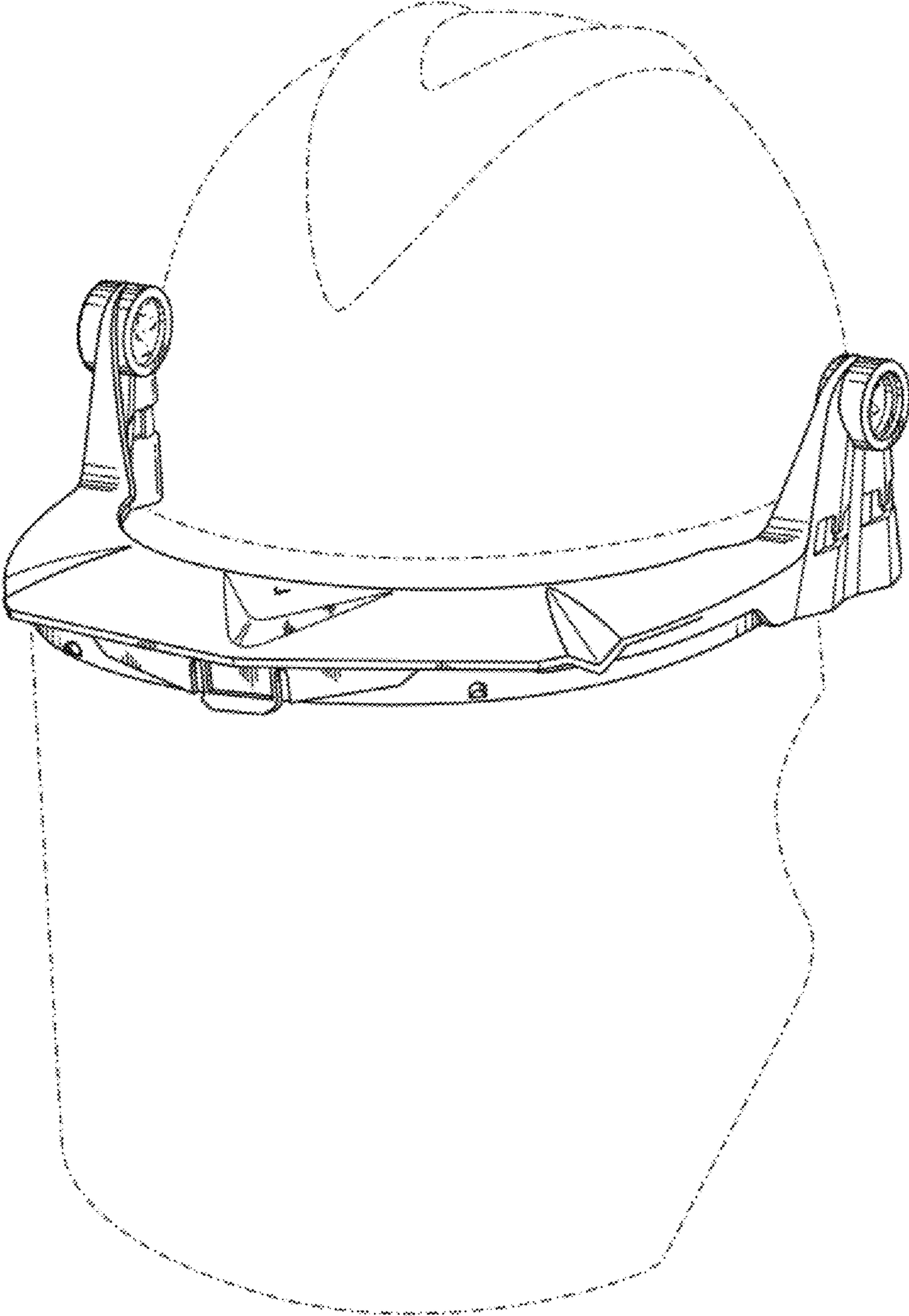


FIG. 2

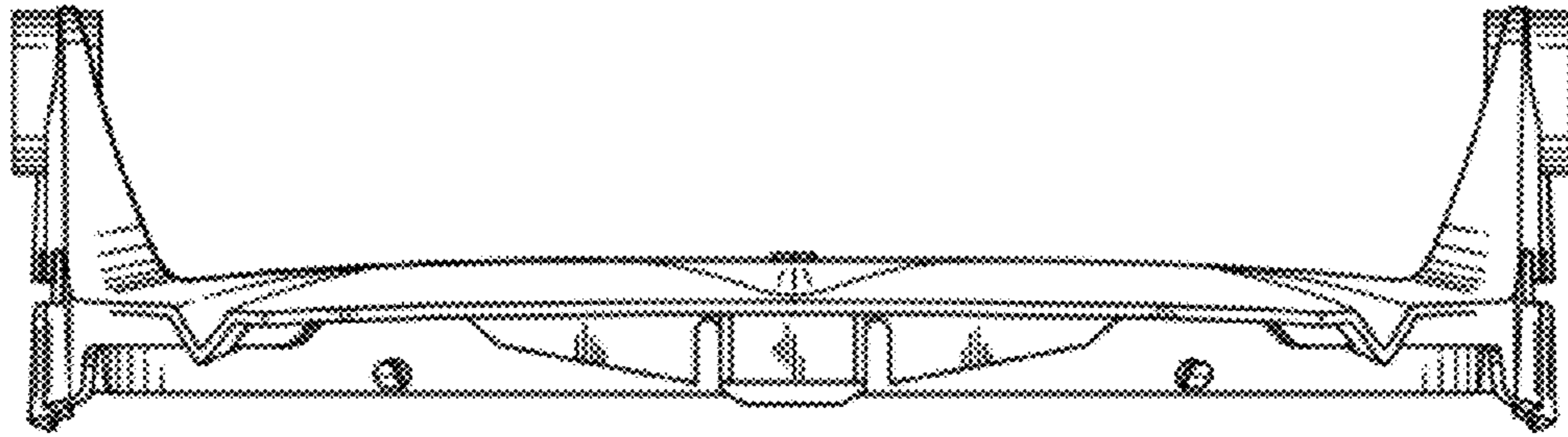


FIG. 3

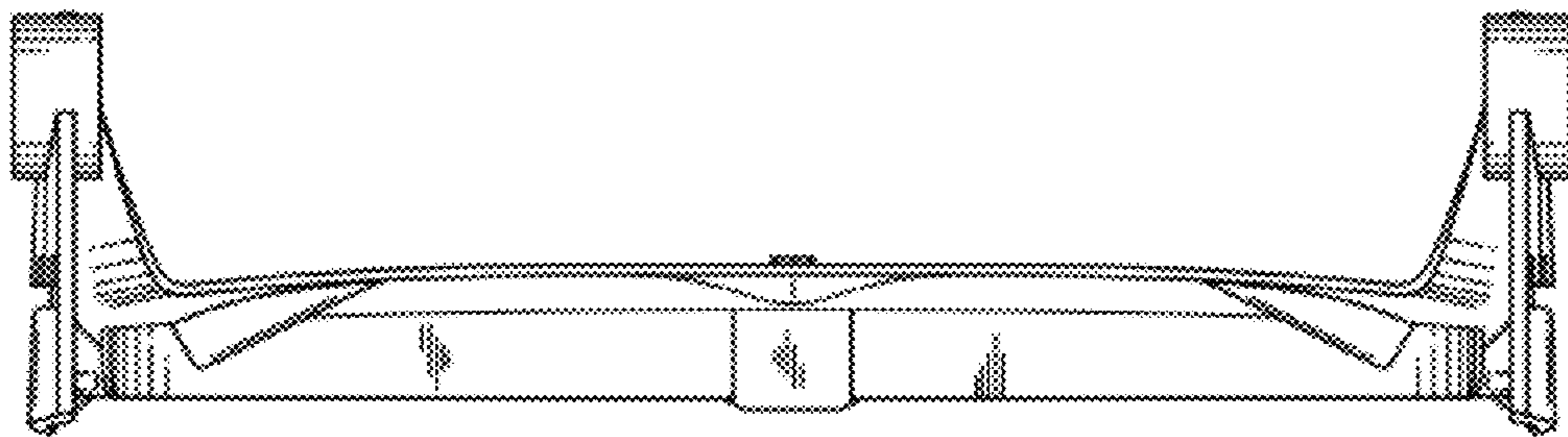


FIG. 4

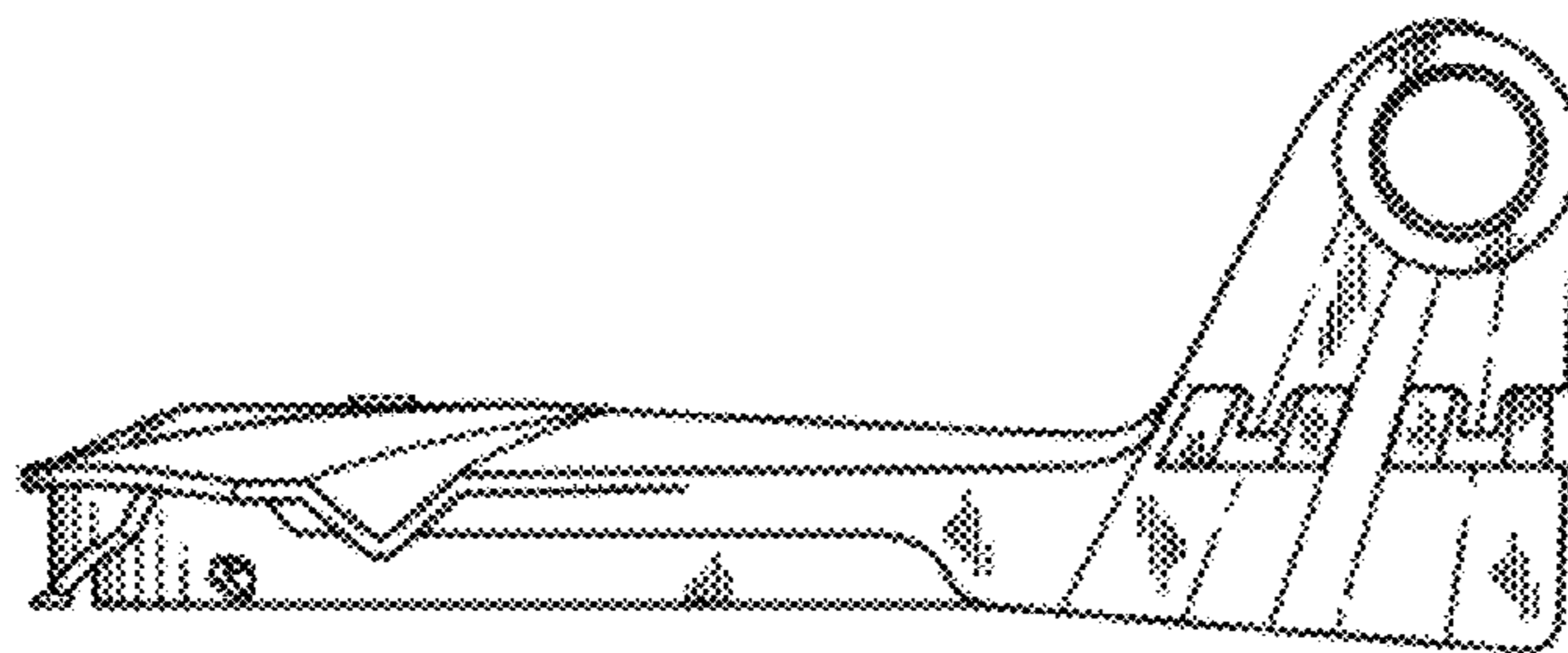


FIG. 5

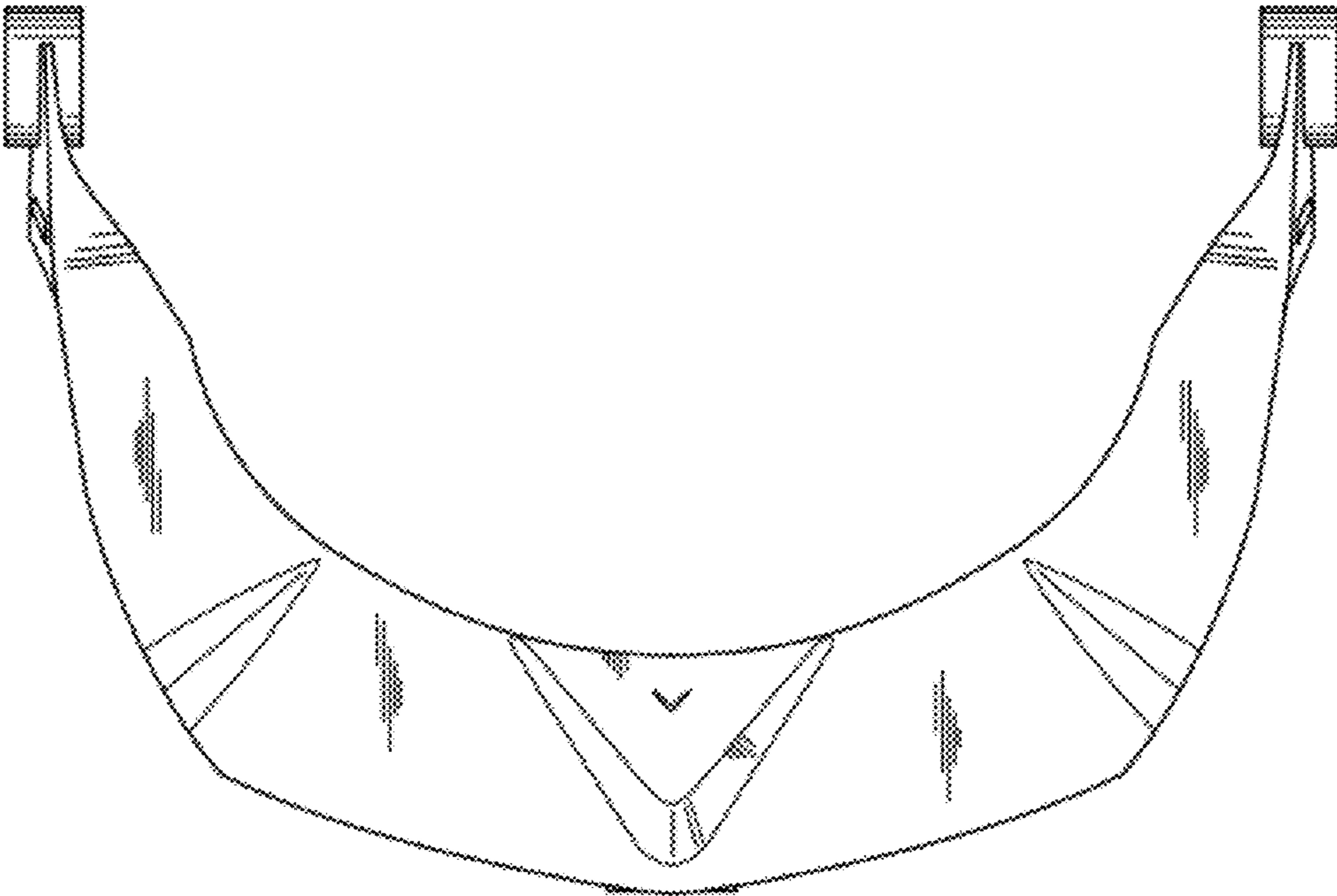


FIG. 6

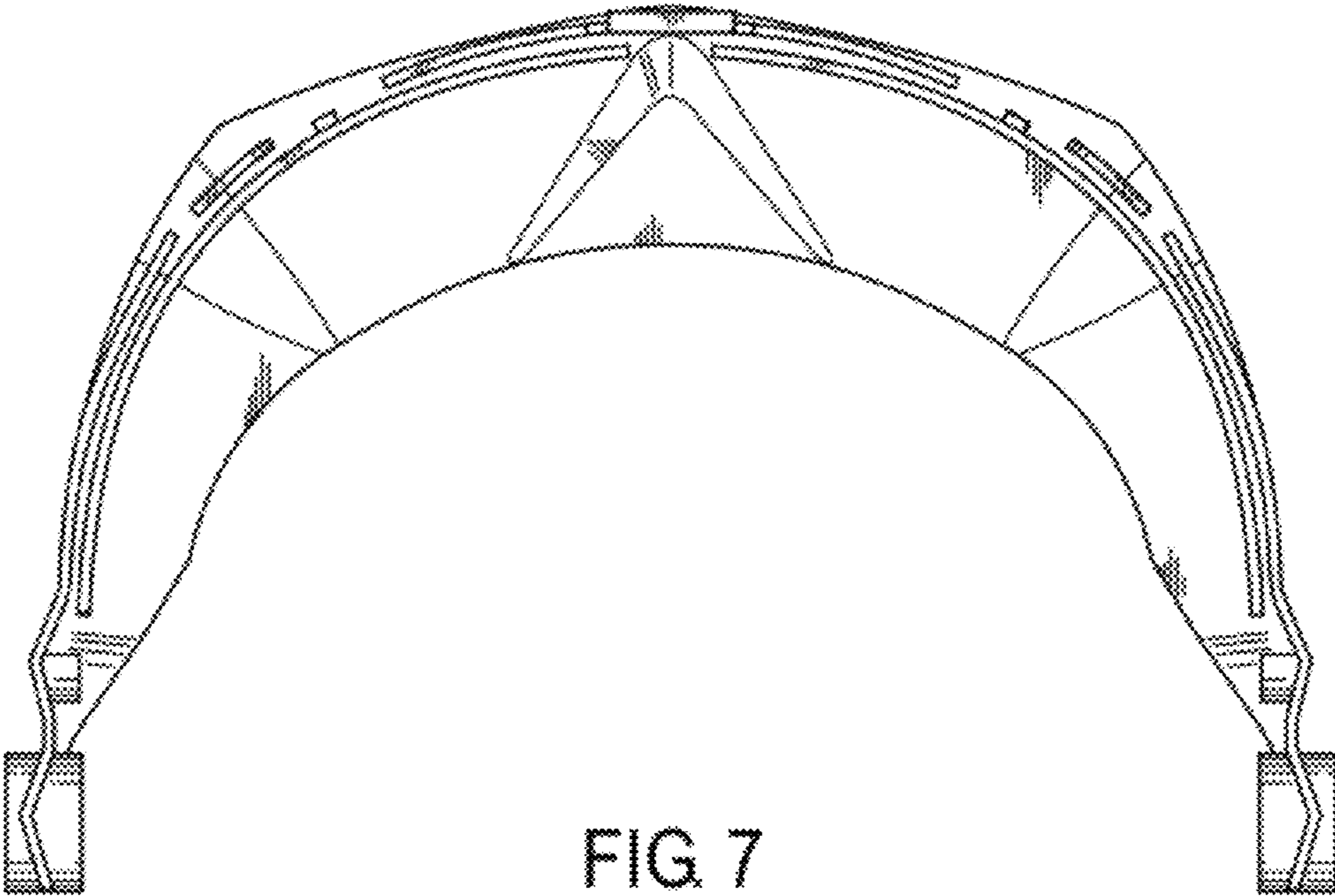


FIG. 7