



US00D661837S

(12) **United States Design Patent**  
**Daniel**

(10) **Patent No.:** **US D661,837 S**  
(45) **Date of Patent:** **\*\* Jun. 12, 2012**

(54) **BACK CREAM THERAPY DISPENSER APPARATUS**

(76) Inventor: **Isaac S. Daniel**, Miramar, FL (US)

(\*\*) Term: **14 Years**

(21) Appl. No.: **29/385,443**

(22) Filed: **Feb. 14, 2011**

(51) **LOC (9) Cl.** ..... **28-02**

(52) **U.S. Cl.** ..... **D28/7**

(58) **Field of Classification Search** ..... D28/7,  
D28/8, 20–22, 30–31, 76, 85, 99; 132/108,  
132/202, 208, 317, 320; 401/202–207, 261–267;  
D4/132–135; D24/119

See application file for complete search history.

(56) **References Cited**

U.S. PATENT DOCUMENTS

D426,916 S *	6/2000	Ebert	.....	D28/7
D442,331 S *	5/2001	Pannozzo et al.	.....	D28/7
D445,539 S *	7/2001	Angeletta	.....	D28/7
D451,244 S *	11/2001	Chen et al.	.....	D28/25
D474,561 S *	5/2003	Glucksman et al.	.....	D28/7
D480,177 S *	9/2003	Isono et al.	.....	D28/63
D484,656 S *	12/2003	Colburn et al.	.....	D32/45
D485,033 S *	1/2004	Colburn et al.	.....	D32/45
D490,563 S *	5/2004	Angeletta	.....	D28/7
D504,540 S *	4/2005	Bailey	.....	D28/7

D519,674 S *	4/2006	Chu et al.	.....	D28/7
D555,831 S *	11/2007	Chan	.....	D28/7

\* cited by examiner

*Primary Examiner* — Zenia Bennett

(74) *Attorney, Agent, or Firm* — Carol N. Green, Esq.

(57) **CLAIM**

The ornamental design for a back cream therapy dispenser apparatus, as shown and described.

**DESCRIPTION**

FIG. 1 is a front elevation view of the back cream therapy dispenser apparatus.

FIG. 2 is a rear elevation view of the back cream therapy dispenser apparatus.

FIG. 3 is a right side perspective view of the back cream therapy dispenser apparatus.

FIG. 4 is a left side perspective view of the back cream therapy dispenser apparatus.

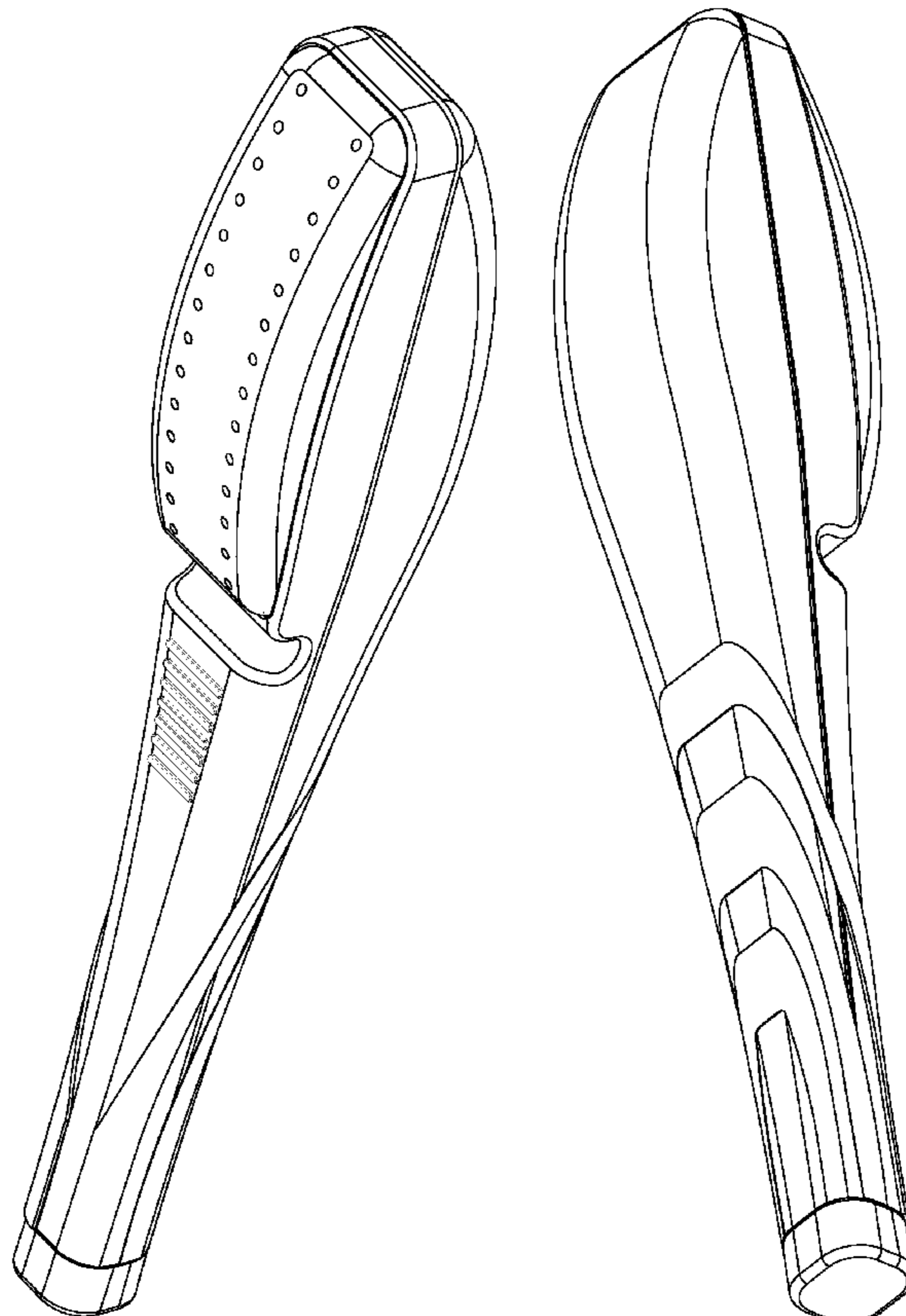
FIG. 5 is a top elevation view of the back cream therapy dispenser apparatus.

FIG. 6 is a bottom elevation view of the back cream therapy dispenser apparatus.

FIG. 7 is a front perspective view of the back cream therapy dispenser apparatus; and,

FIG. 8 is a rear perspective view of the back cream therapy dispenser apparatus.

**1 Claim, 4 Drawing Sheets**



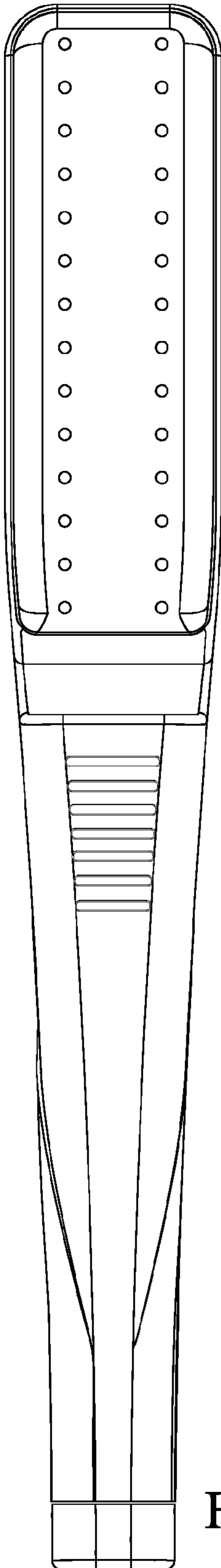


FIG. 1

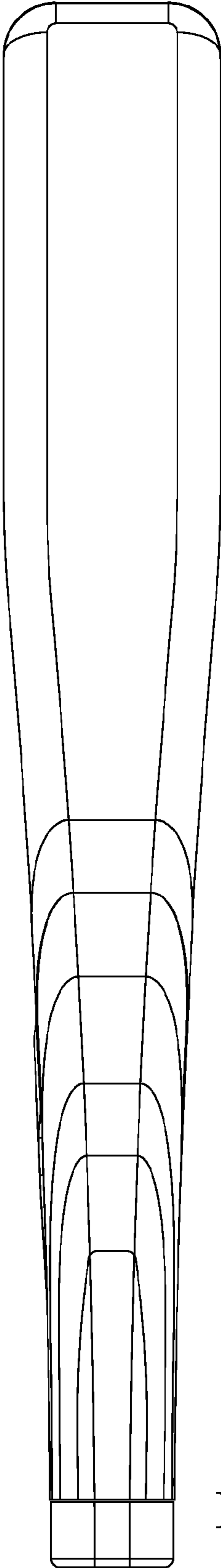


FIG. 2

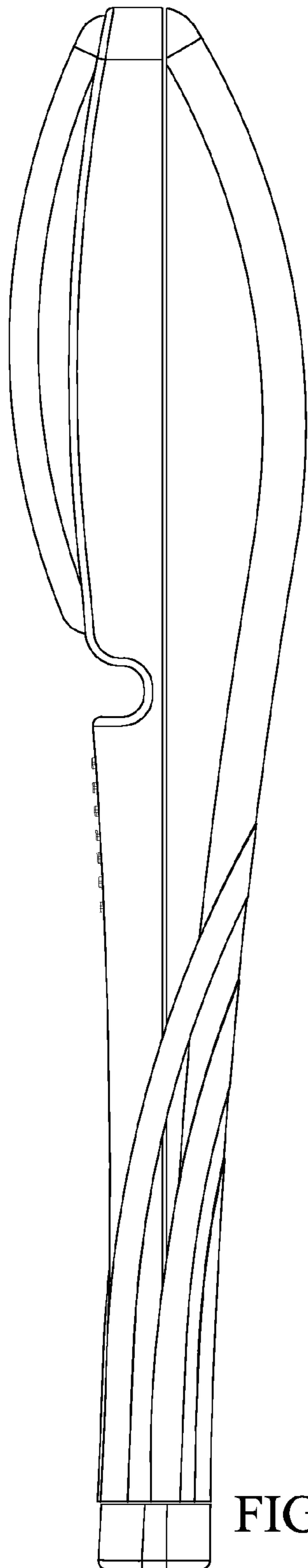


FIG. 3

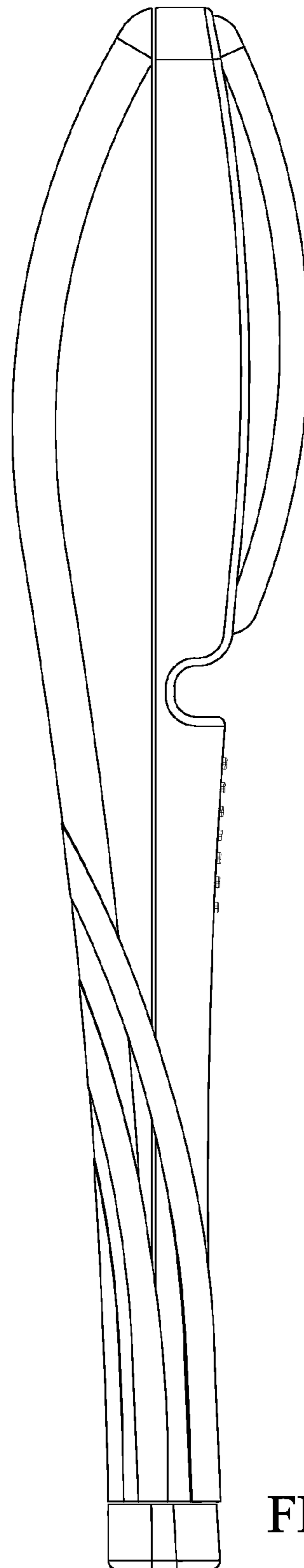


FIG. 4

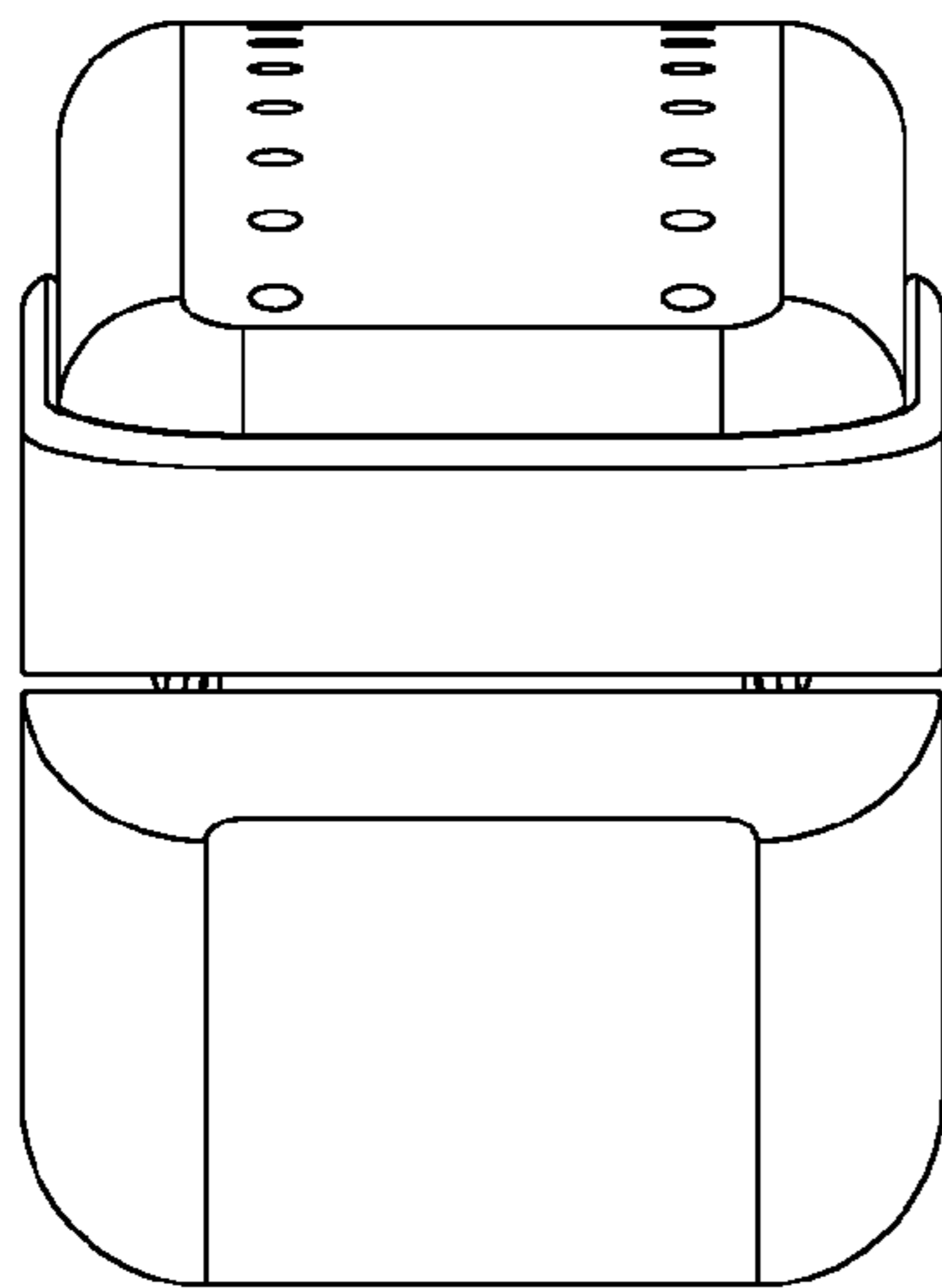


FIG. 5

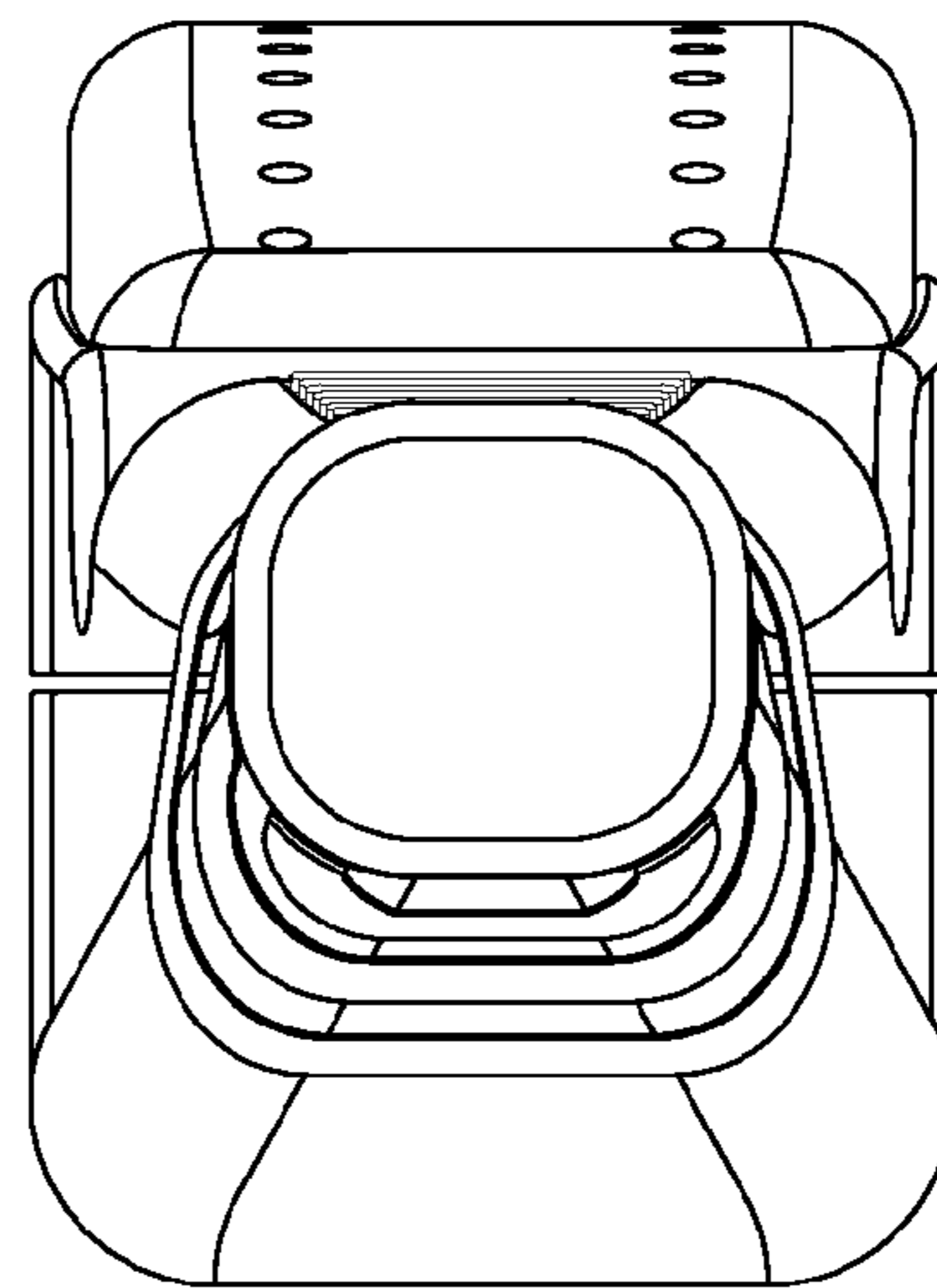


FIG. 6

