



US00D661834S

(12) **United States Design Patent**  
**Lin**

(10) **Patent No.:** **US D661,834 S**  
(45) **Date of Patent:** **\*\* Jun. 12, 2012**

(54) **LAMP HOLDER**

(75) **Inventor:** **Chien-Ting Lin**, Santa Fe Springs, CA (US)

(73) **Assignee:** **Linco Inc.**, Santa Fe Springs, CA (US)

(\*\*) **Term:** **14 Years**

(21) **Appl. No.:** **29/396,858**

(22) **Filed:** **Jul. 7, 2011**

(51) **LOC (9) Cl.** ..... **26-99**

(52) **U.S. Cl.** ..... **D26/138**

(58) **Field of Classification Search** ..... D26/72,  
D26/74, 113, 118, 85, 71, 63, 120, 122, 87,  
D26/86, 84, 73, 75, 119, 121, 123, 124, 125,  
D26/126, 127, 128, 129, 130, 131, 132, 134,  
D26/135, 136, 137, 138, 139, 140, 141, 142,  
D26/143, 144, 145, 146, 147, 151, 152, 153,  
D26/154, 155, 90, 91, 92, 93, 61, 62, 64,  
D26/65, 66, 67, 68, 69, 51, 59, 1, 2; 362/240,  
362/147, 146, 600, 294, 276, 431, 545.3,  
362/394, 355, 362, 413, 373; D11/121; 257/727,  
257/713, 719, 717; 361/695, 700, 709; 165/121,  
165/185, 80.3, 104.26

See application file for complete search history.

(56) **References Cited**

**U.S. PATENT DOCUMENTS**

D161,660 S \* 1/1951 Sternaman ..... D26/144  
5,258,899 A \* 11/1993 Chen ..... 362/394

D369,225 S \* 4/1996 Sandell ..... D26/51  
D399,022 S \* 9/1998 Jensen et al. .... D26/142  
D424,727 S \* 5/2000 Greubel ..... D26/51  
D431,319 S \* 9/2000 Hiller et al. .... D26/142  
D433,771 S \* 11/2000 Hiller et al. .... D26/142  
D434,165 S \* 11/2000 Hiller et al. .... D26/65  
6,175,309 B1 \* 1/2001 Drake et al. .... 340/545.3  
D517,231 S \* 3/2006 Pickett ..... D26/59  
D517,714 S \* 3/2006 Monroe et al. .... D26/65  
D578,250 S \* 10/2008 Conroy ..... D26/138  
D580,093 S \* 11/2008 Conroy ..... D26/138

\* cited by examiner

*Primary Examiner* — Kevin Rudzinski

(74) *Attorney, Agent, or Firm* — Lin & Associates IP, Inc.

(57) **CLAIM**

The ornamental design for a lamp holder, as shown and described.

**DESCRIPTION**

FIG. 1 is a perspective view of a lamp holder showing my new design;

FIG. 2 is a front elevational view thereof;

FIG. 3 is a rear elevational view thereof;

FIG. 4 is a left elevational view thereof;

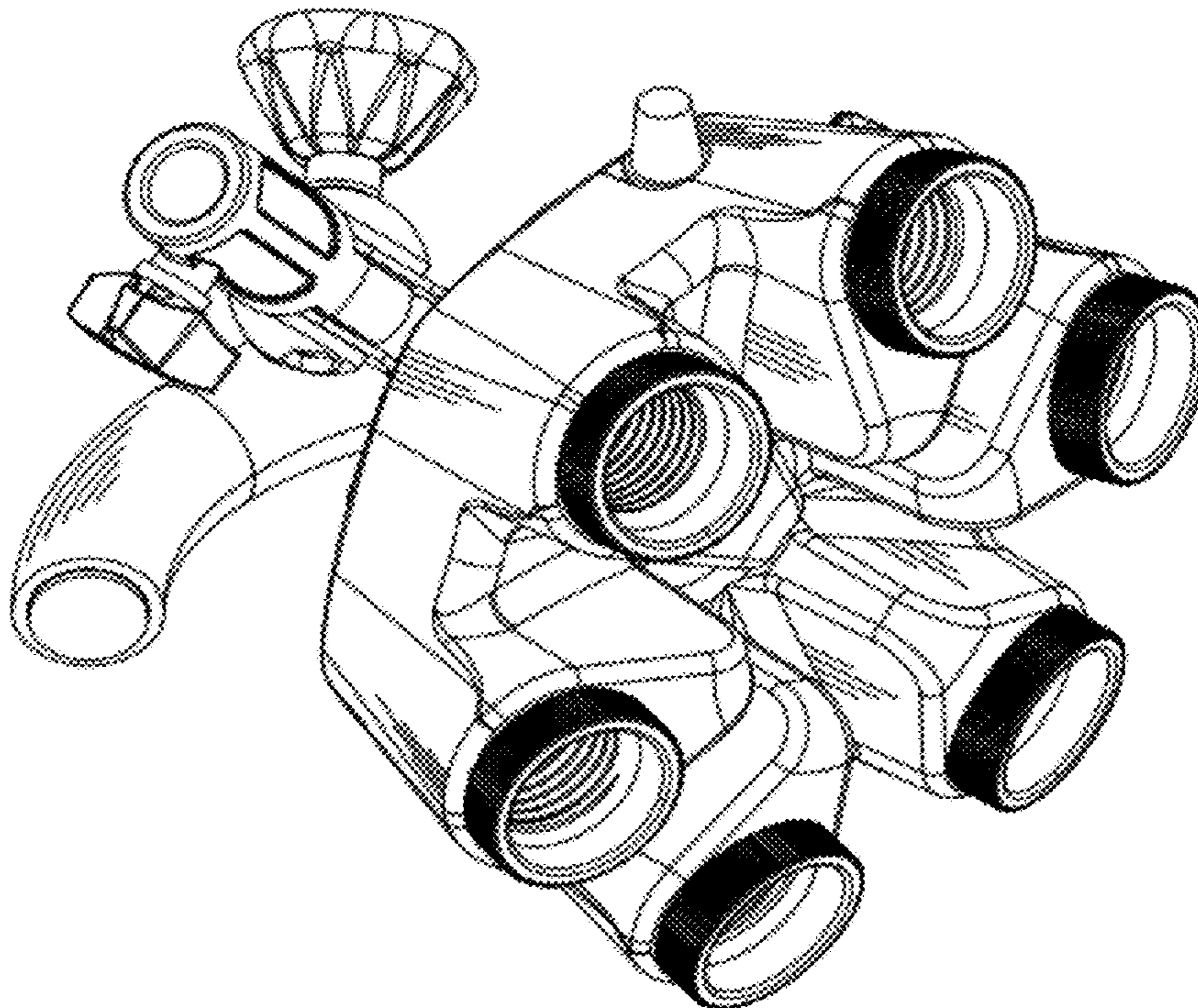
FIG. 5 is a right elevational view thereof;

FIG. 6 is a top view thereof; and,

FIG. 7 is a bottom view thereof.

The portions of the lamp holder shown in broken lines form no part of the claimed design.

**1 Claim, 7 Drawing Sheets**



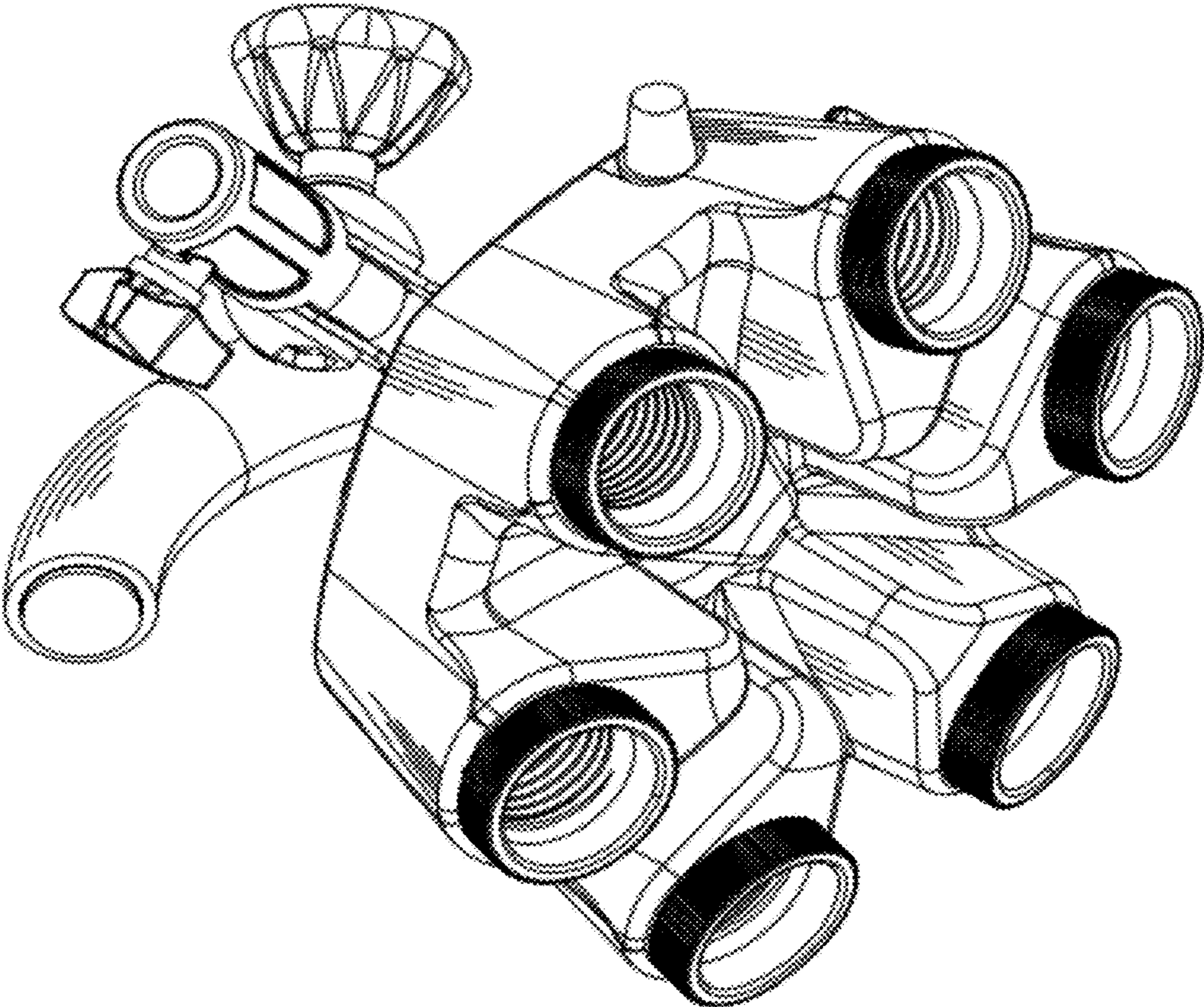


FIG. 1

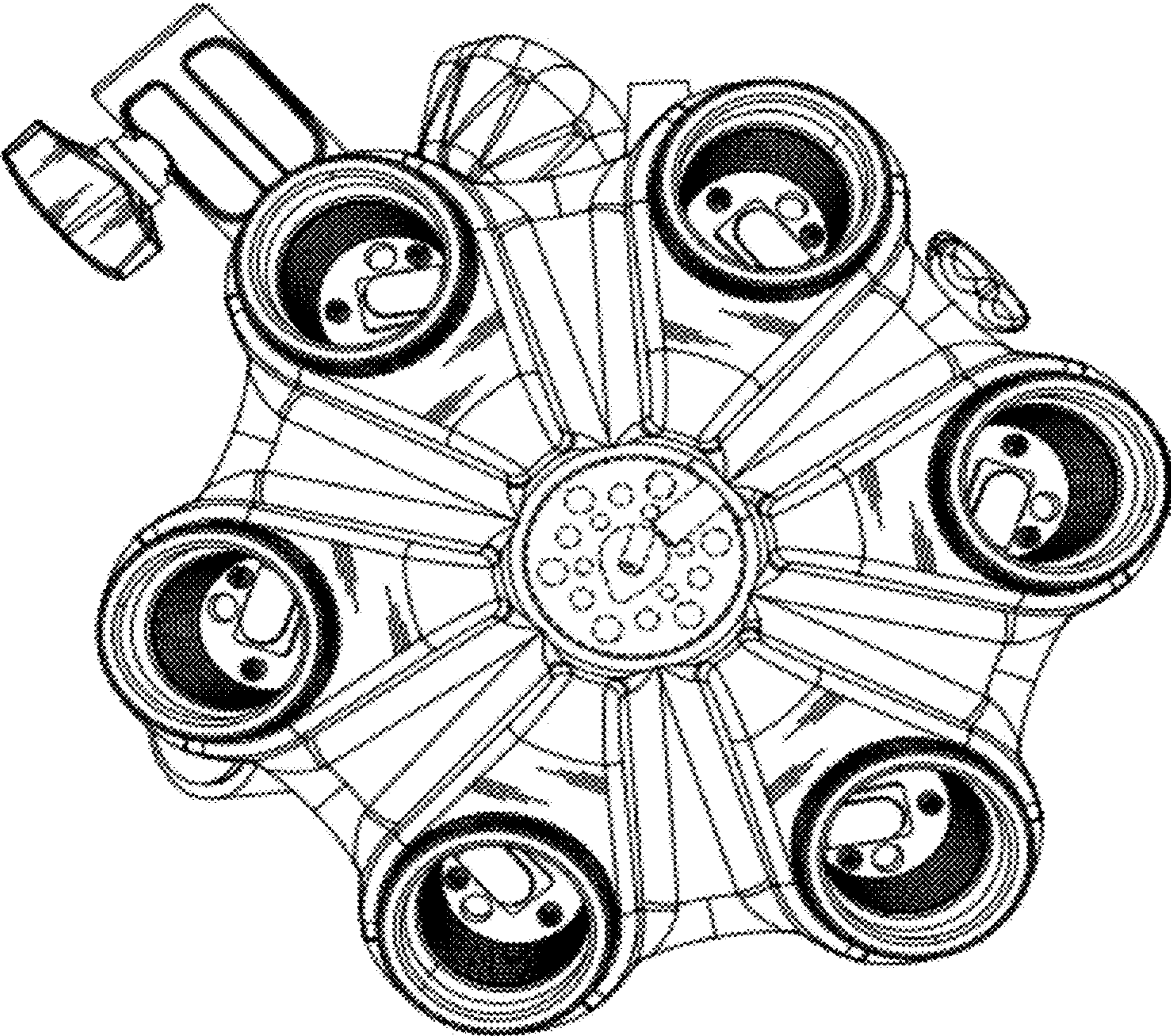
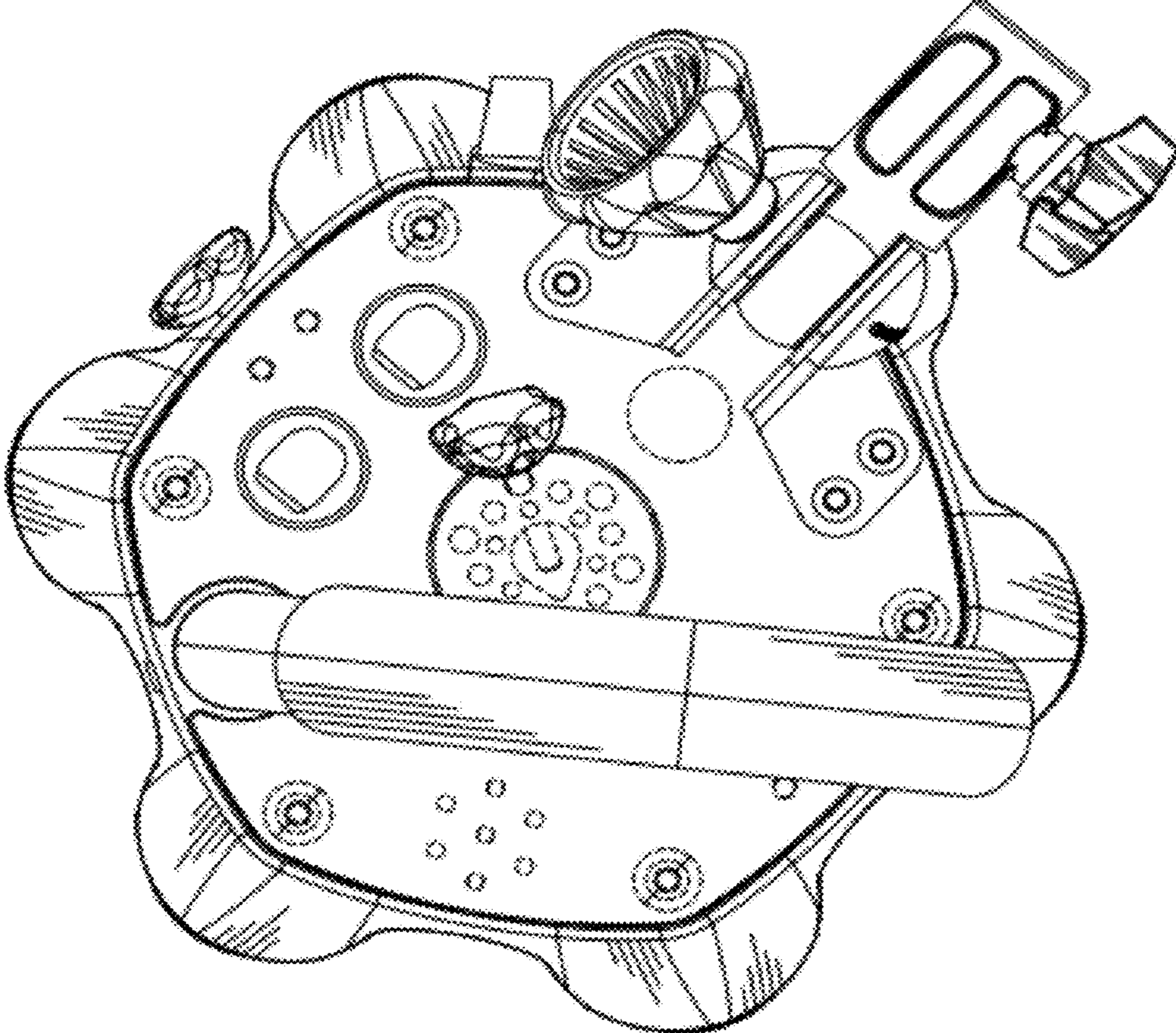
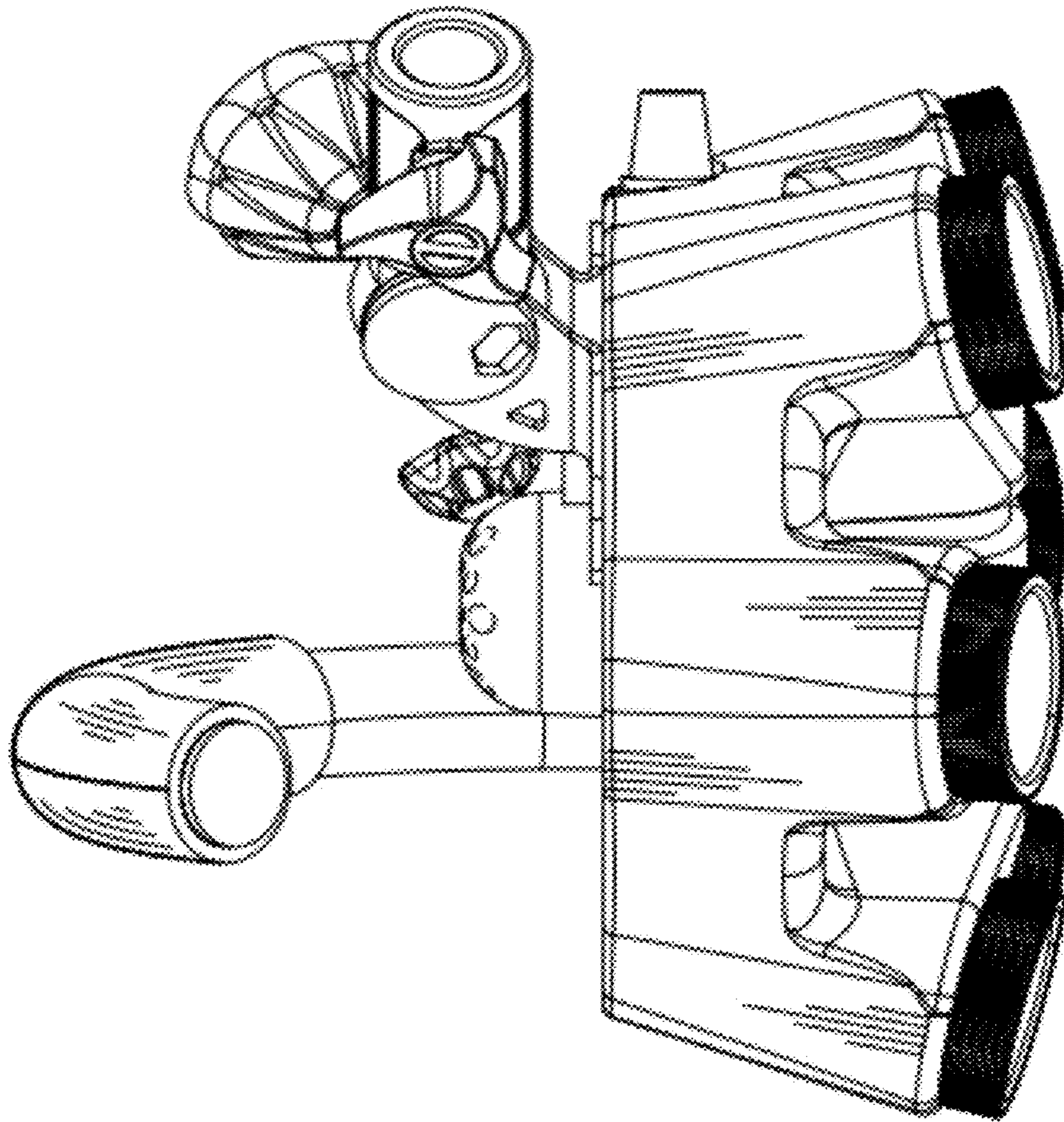


FIG. 2



**FIG. 3**



**FIG. 4**

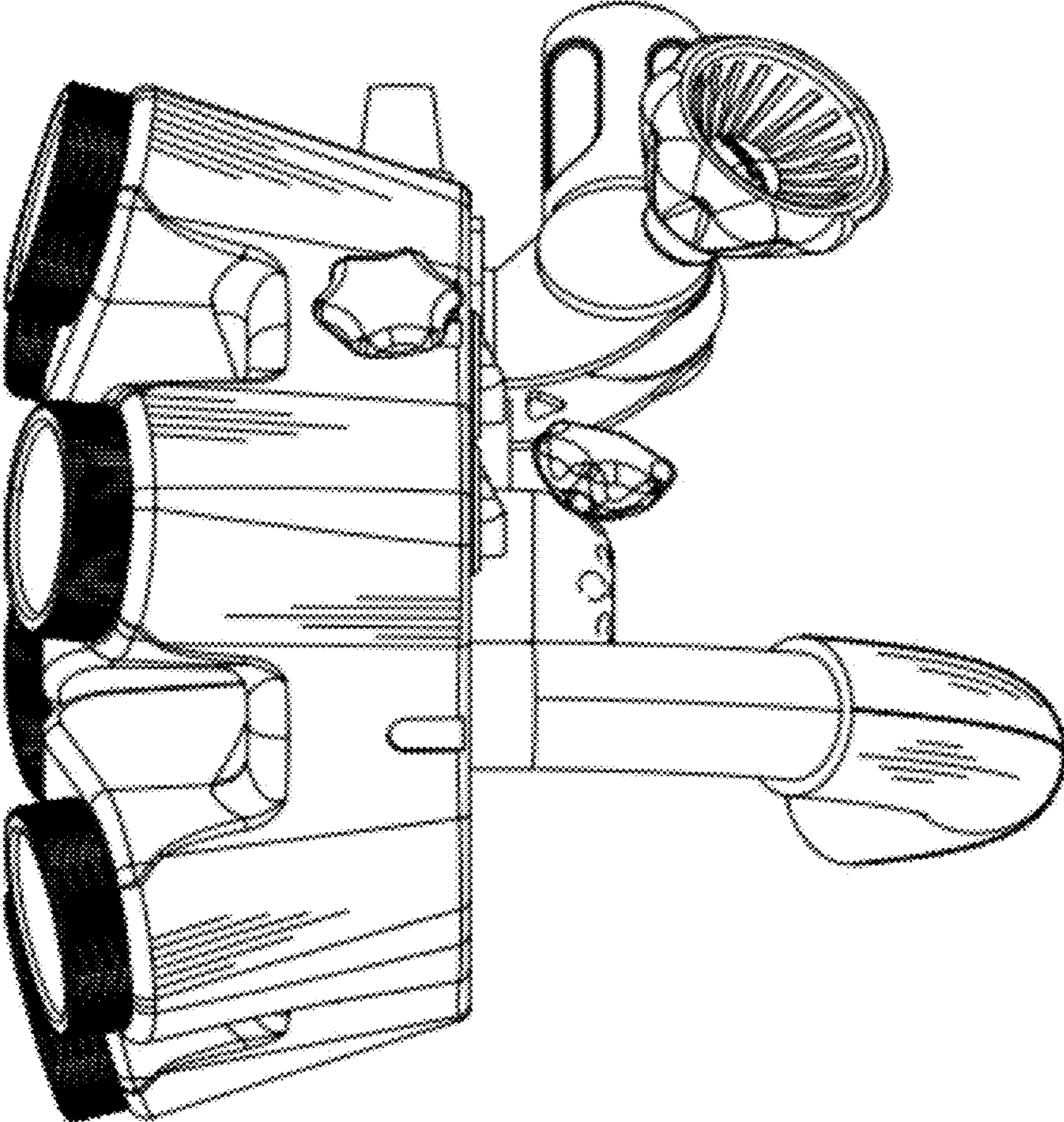


FIG. 5

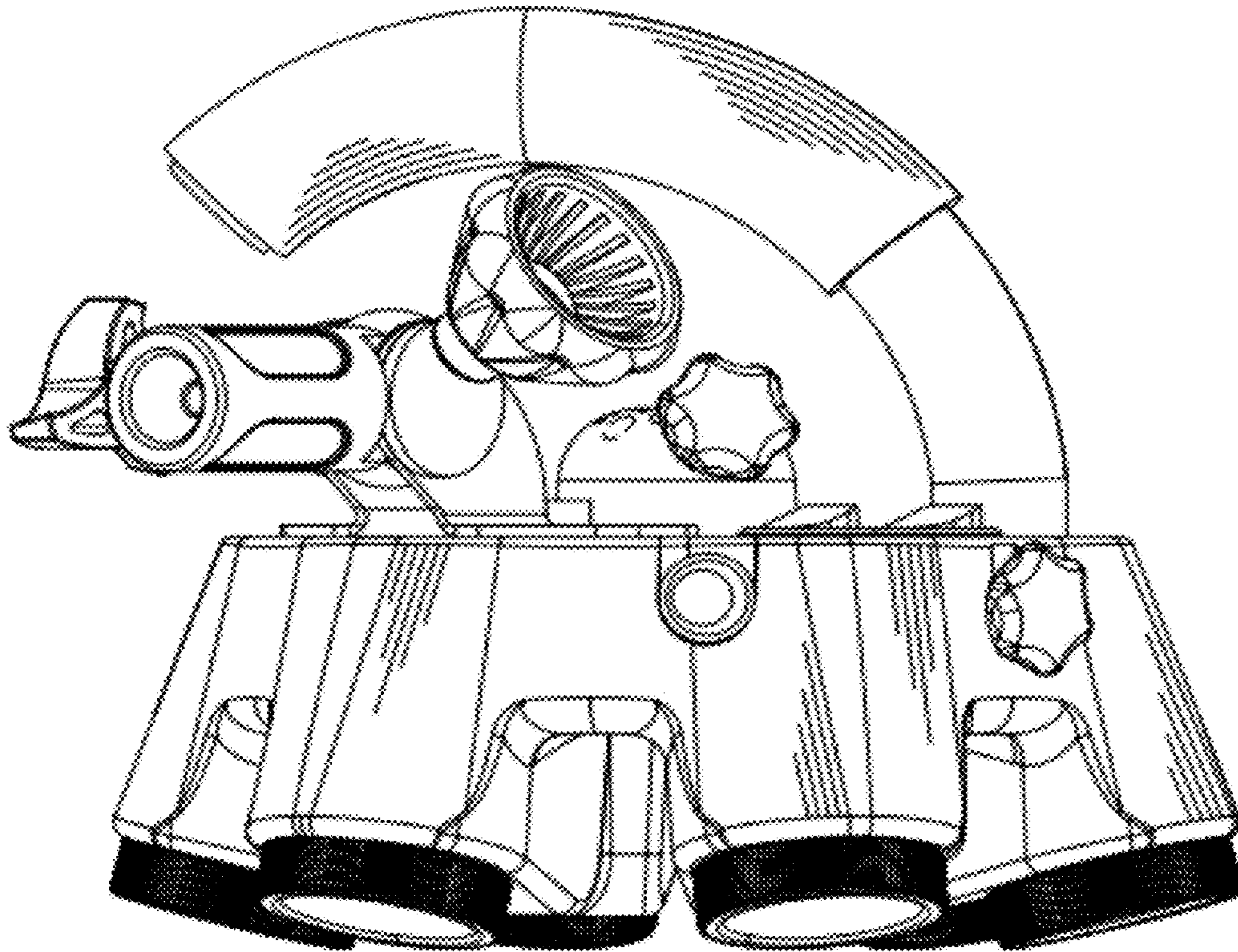
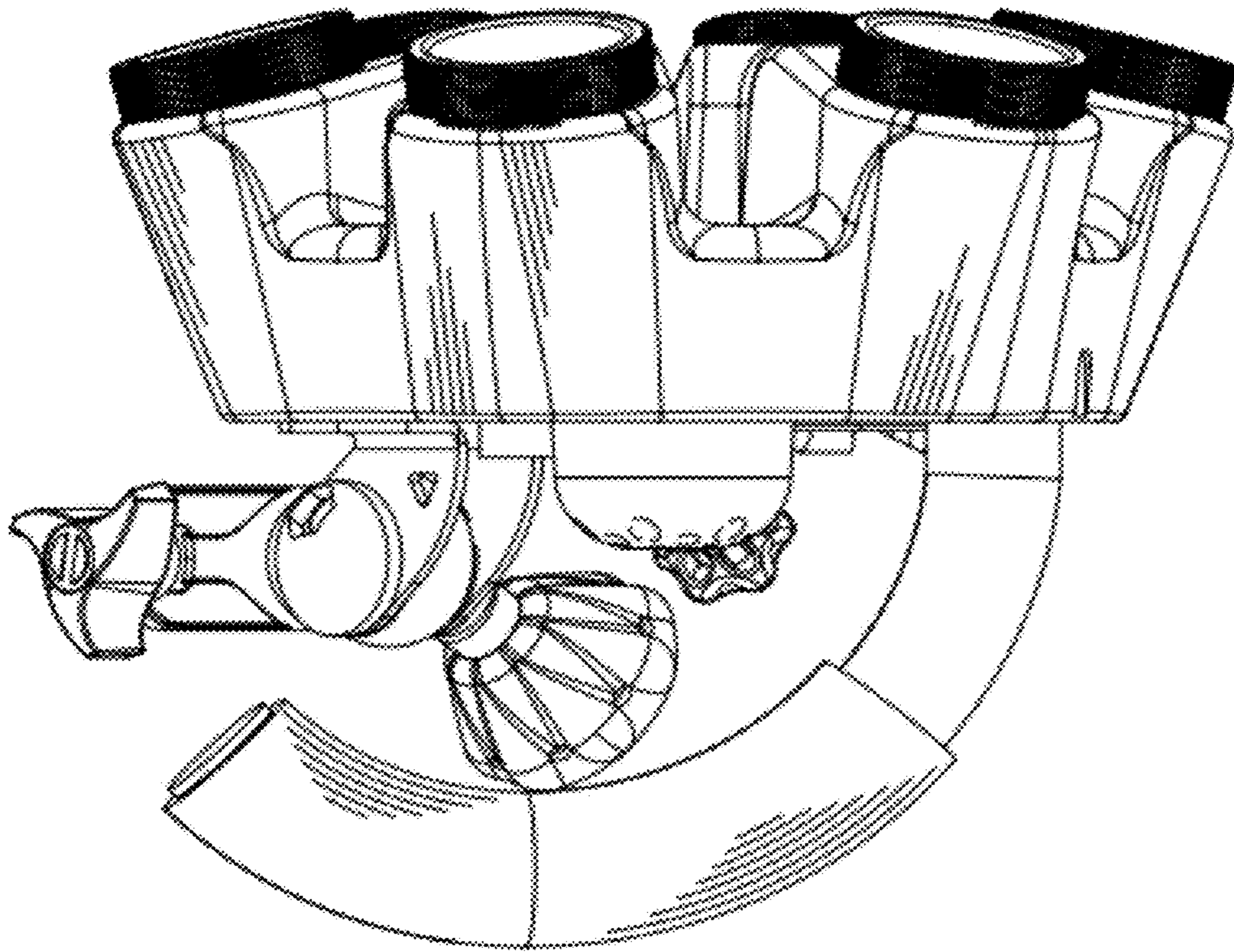


FIG. 6



**FIG. 7**