



US00D661833S

(12) **United States Design Patent**  
**Imajo et al.**

(10) **Patent No.:** **US D661,833 S**  
(45) **Date of Patent:** **\*\* Jun. 12, 2012**

(54) **REFLECTIVE SHEET FOR LCD BACKLIGHTS**

D11/144, 125, 121; 428/11; 257/96, 97, 98, 99

See application file for complete search history.

(75) Inventors: **Ikuko Imajo**, Chiba (JP); **Masashi Baba**, Chiba (JP); **Sachiko Yamazaki**, Chiba (JP); **Katsunori Kanno**, Chiba (JP)

(56) **References Cited**

U.S. PATENT DOCUMENTS

D106,614 S \* 10/1937 Waterbury ..... D26/91  
D132,786 S \* 6/1942 Netting ..... D26/78

(Continued)

(73) Assignee: **Panasonic Liquid Crystal Display Co., Ltd.**, Hyogo (JP)

(\*\*) Term: **14 Years**

*Primary Examiner* — Kevin Rudzinski

(21) Appl. No.: **29/397,925**

(74) *Attorney, Agent, or Firm* — Brinks Hofer Gilson & Lione

(22) Filed: **Jul. 22, 2011**

(57) **CLAIM**

We claim the ornamental design for a reflective sheet for LCD backlights, as shown and described.

(30) **Foreign Application Priority Data**

Jan. 25, 2011 (JP) ..... 2011-001454

**DESCRIPTION**

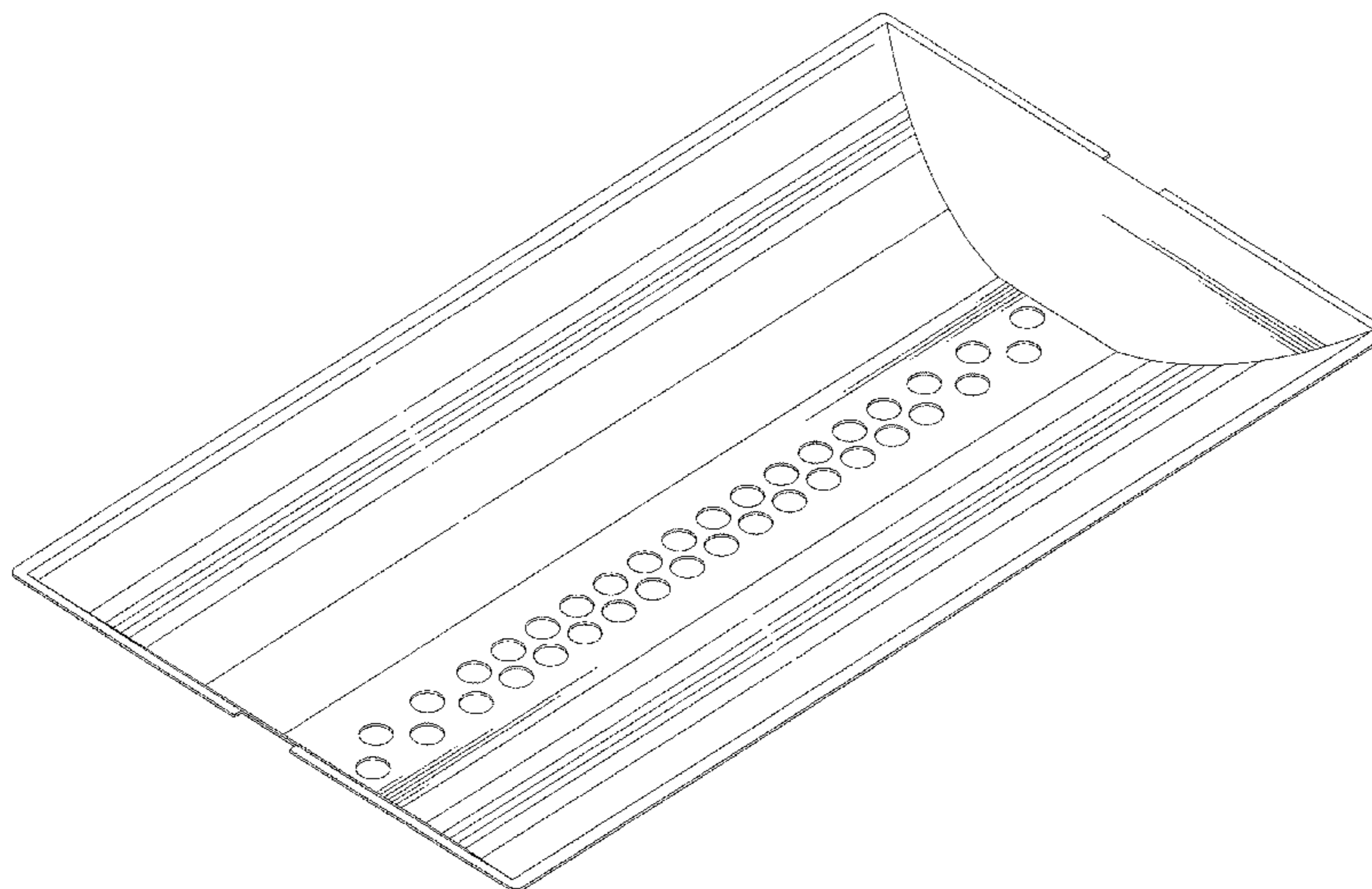
(51) **LOC (9) Cl.** ..... **26-99**

(52) **U.S. Cl.** ..... **D26/118**

(58) **Field of Classification Search** ..... D26/113, D26/71, 72, 73, 74, 75, 76, 78, 122, 121, D26/120, 119, 118, 1, 80, 86, 87, 88, 89, D26/90, 35, 36, 85, 62, 61, 63, 64, 65, 66, D26/67, 68, 28, 31, 24, 25, 26, 60, 103, 104, D26/105, 106, 109, 110, 93, 138, 140, 141, D26/142, 143, 144, 145, 152, 153, 154, 155, D26/41, 42, 51, 52, 50, 37, 128, 123, 124, D26/125, 129, 131, 134, 135, 136, 2, 3; D13/179, D13/180; D8/354, 382, 373, 377; 362/373, 362/294.02, 218, 510, 516, 410, 183, 396, 362/130, 190, 249.07, 249.09, 249.1, 249.11, 362/285, 413, 287, 220, 418, 419, 92, 249.08, 362/205, 184, 260, 399, 398, 397, 258, 374, 362/375, 216, 558, 561, 354, 249.06, 249.05, 362/132, 133, 249.03, 223, 241, 345, 327, 362/217.05, 247, 224, 297; 52/455; D25/124, D25/125, 60, 119; 349/113, 61, 59, 60, 62, 349/64, 65, 67, 66; 248/558, 339, 557; 438/15; 345/102; D12/406; D10/114.1, 111; D11/145,

FIG. 1 is a top perspective view of a first embodiment of a reflective sheet for LCD backlights of the present invention; FIG. 2 is a top view thereof; FIG. 3 is a bottom view thereof; FIG. 4 is a front view thereof, the rear view being a mirror image thereof; FIG. 5 is a first side view thereof, the second side view being a mirror image thereof; FIG. 6 is a cross-section view taken along the line 6-6 of FIG. 2; FIG. 7 is a cross-section view taken along the line 7-7 of FIG. 2; FIG. 8 is a top perspective view of a second embodiment of a reflective sheet for LCD backlights of the present invention; FIG. 9 is a top view thereof; and, FIG. 10 is a bottom view thereof. The front, rear, side and corresponding cross-sectional views of the second embodiment are identical to those views represented within the first embodiment and are omitted.

**1 Claim, 8 Drawing Sheets**



# US D661,833 S

Page 2

## U.S. PATENT DOCUMENTS

D133,216	S *	7/1942	Parlato	.....	D26/78	7,560,745	B2 *	7/2009	Kim et al.	.....	257/98
2,339,100	A *	1/1944	Netting	.....	362/219	D608,490	S *	1/2010	Chung et al.	.....	D26/118
4,669,033	A *	5/1987	Lee	.....	362/319	7,703,964	B2 *	4/2010	Takata	.....	362/558
4,814,954	A *	3/1989	Spitz	.....	362/217.07	7,868,971	B2 *	1/2011	Zensai	.....	349/67
5,555,162	A *	9/1996	Shemitz	.....	362/225	7,872,631	B2 *	1/2011	Feng et al.	.....	345/102
6,050,704	A *	4/2000	Park	.....	362/260	D636,112	S *	4/2011	Chung et al.	.....	D26/122
6,654,088	B2 *	11/2003	Morishita et al.	.....	349/113	7,959,331	B2 *	6/2011	Ho	.....	362/373
6,971,780	B2 *	12/2005	Lee et al.	.....	362/561	8,057,057	B2 *	11/2011	Park	.....	362/97.3
7,118,236	B2	10/2006	Hahm et al.	.....		2002/0030993	A1 *	3/2002	Itoh	.....	362/246
D544,994	S *	6/2007	Hargreaves	.....	D26/118	2002/0067332	A1 *	6/2002	Hirakata et al.	.....	345/102
D545,485	S *	6/2007	Hargreaves	.....	D26/118	2007/0070625	A1 *	3/2007	Bang	.....	362/240
7,234,840	B2 *	6/2007	Agabekov et al.	.....	362/249.06						

\* cited by examiner

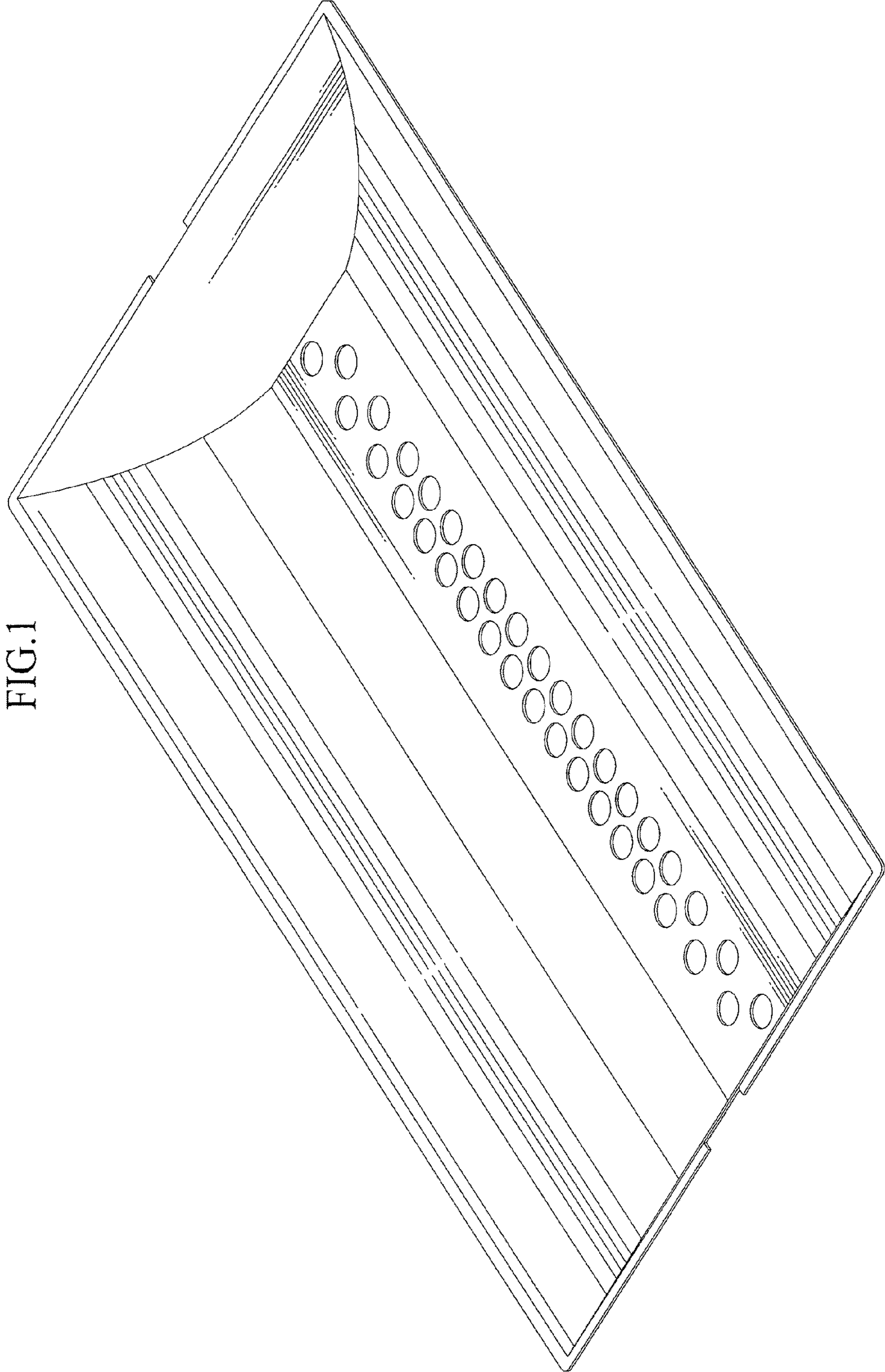


FIG.1

FIG.2

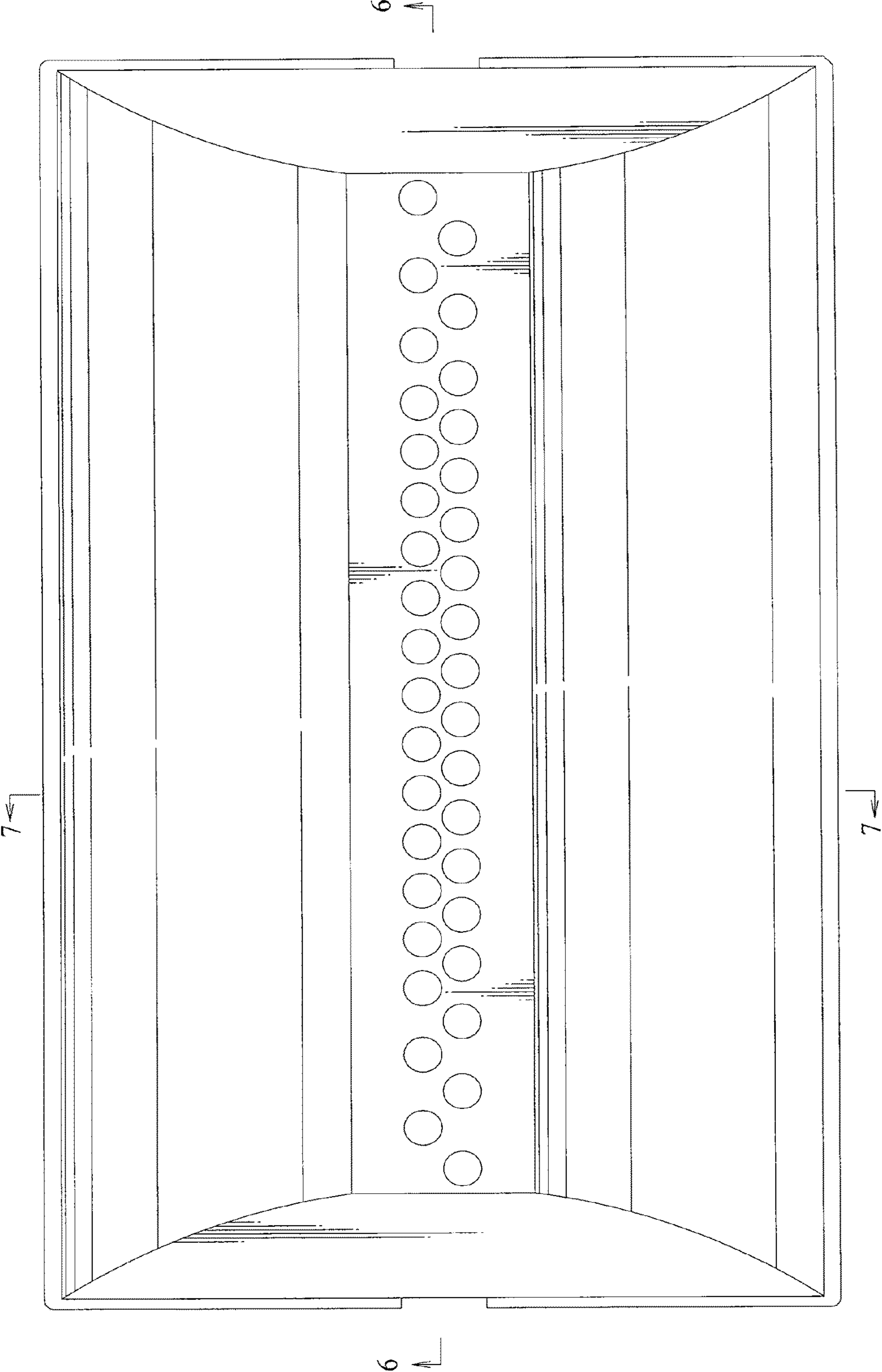


FIG.3

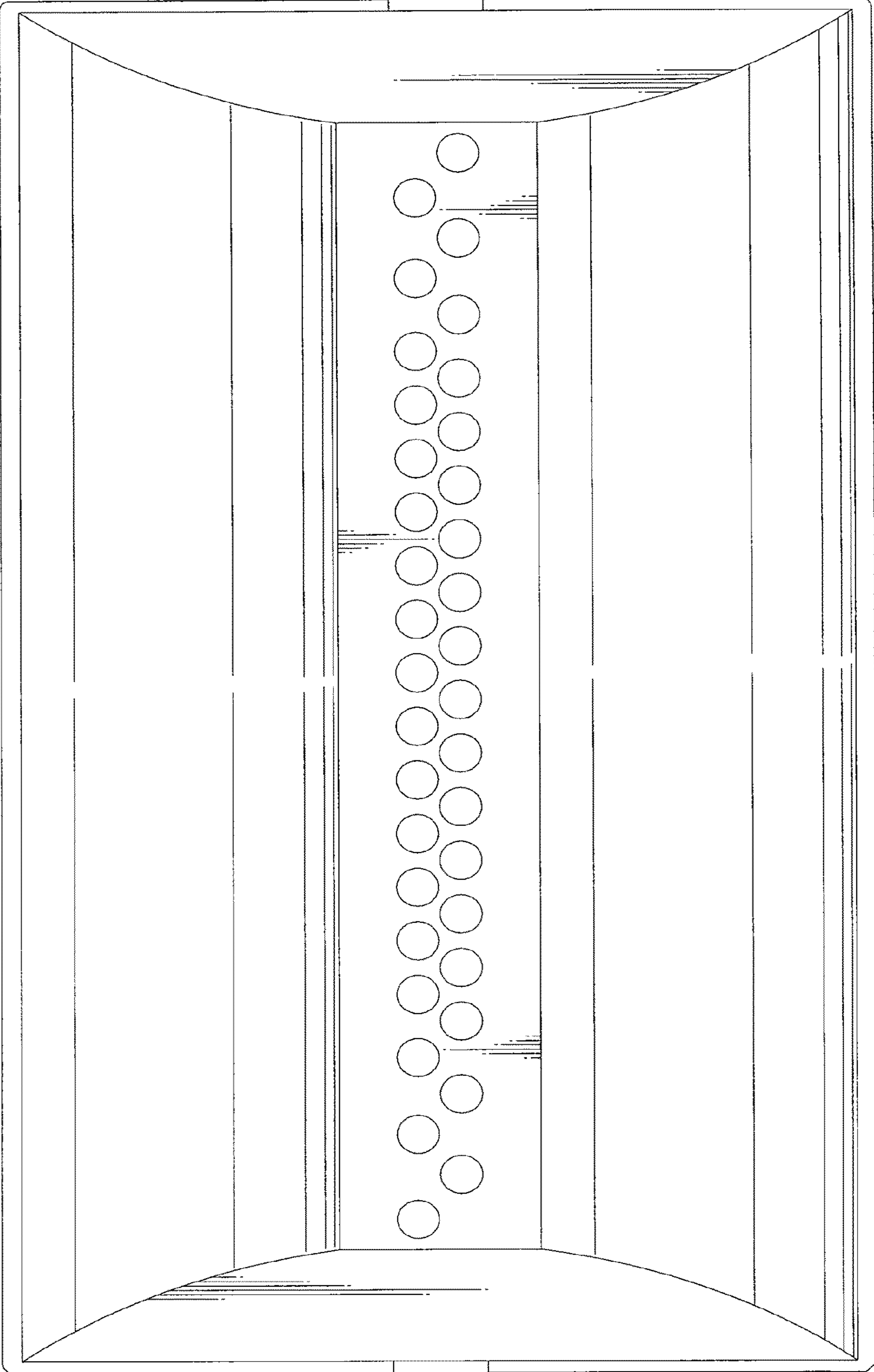


FIG.4

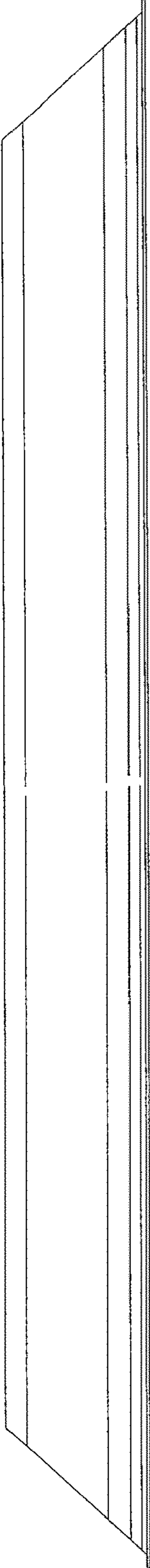


FIG.5

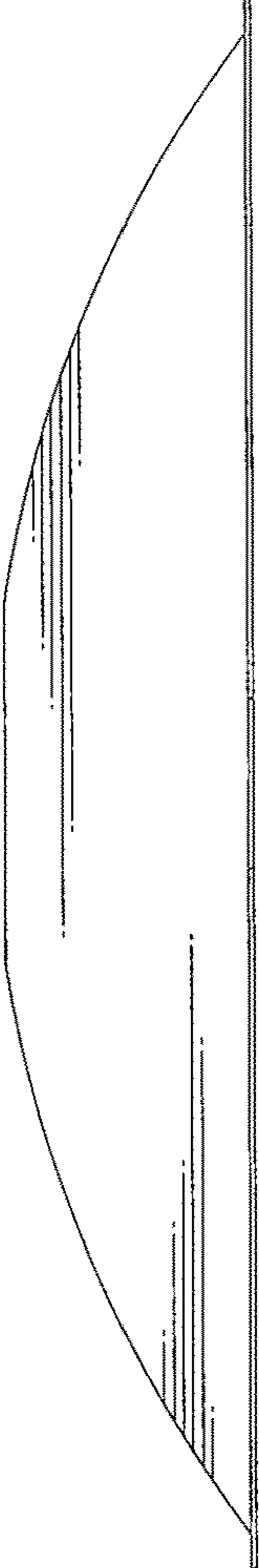


FIG.6

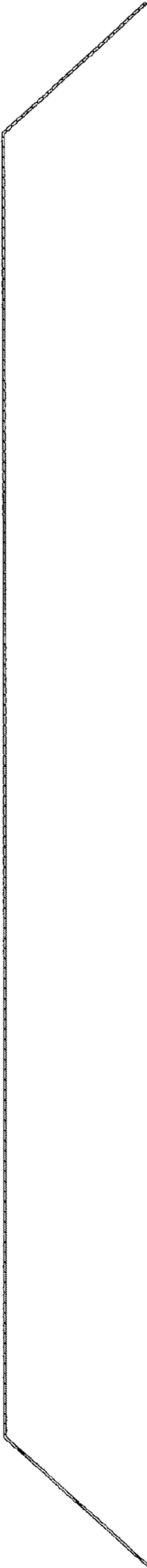
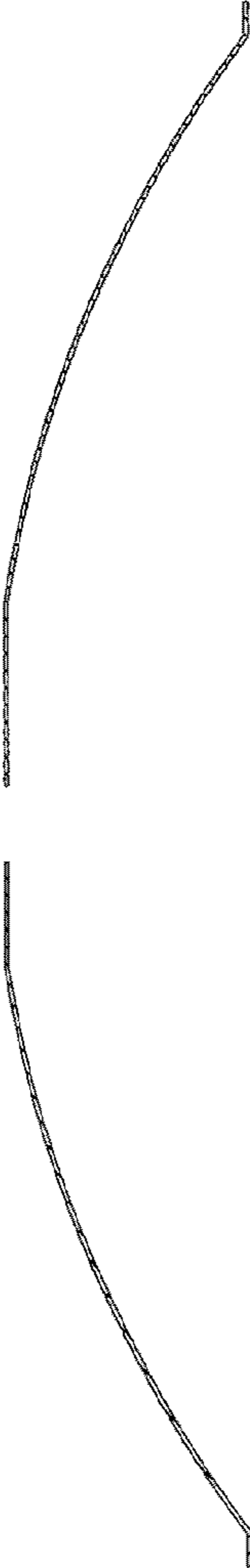


FIG.7



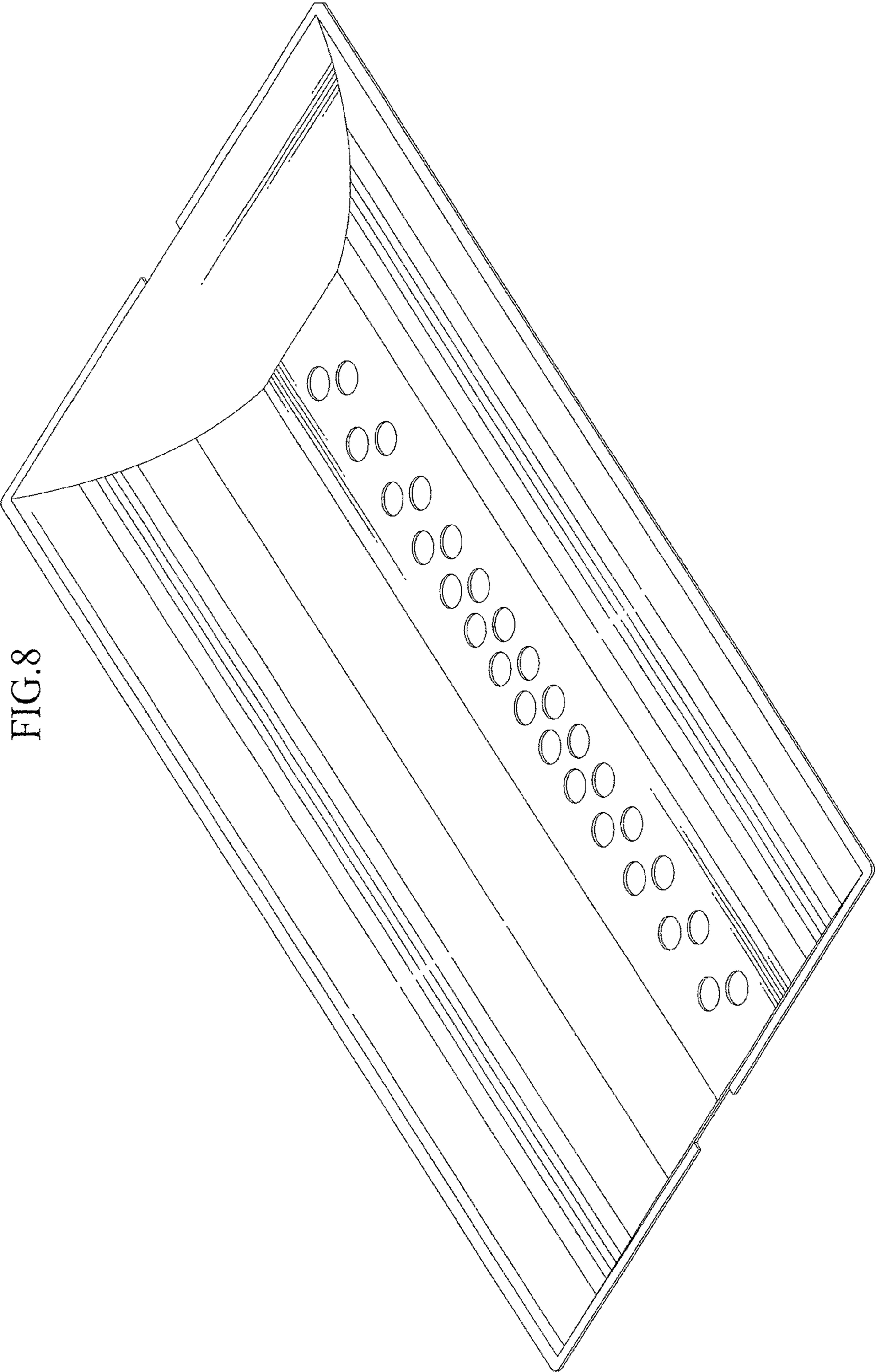


FIG. 8



FIG.9

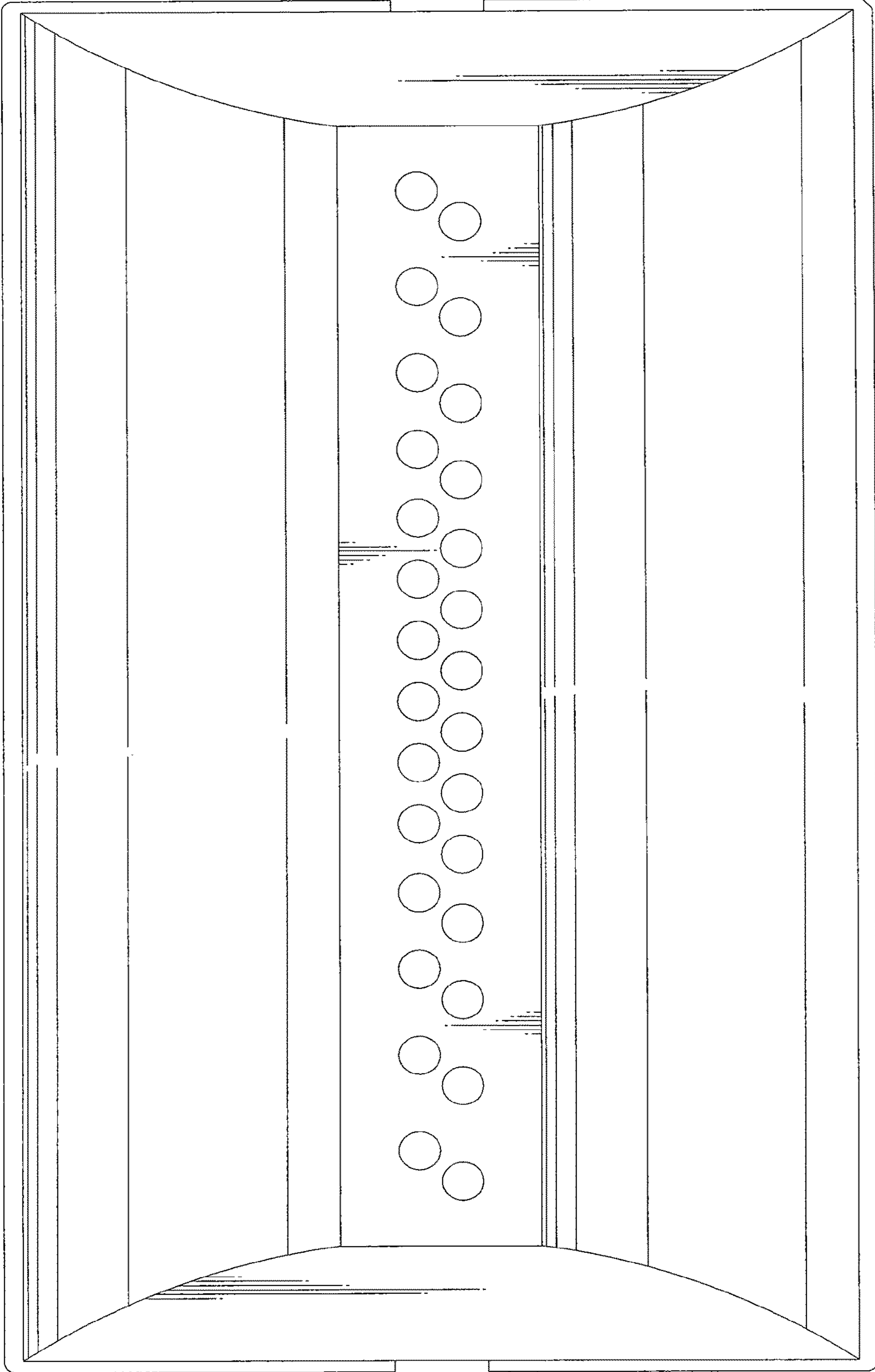


FIG.10

