

US00D661828S

(12) **United States Design Patent**
Yu

(10) **Patent No.:** **US D661,828 S**
(45) **Date of Patent:** **** Jun. 12, 2012**

(54) **TAILLIGHT OR BICYCLE**

D540,966 S * 4/2007 Ueda et al. D26/28
D644,771 S * 9/2011 Okuda D26/28

(75) Inventor: **Tsai-Yun Yu**, Taichung (TW)

* cited by examiner

(73) Assignee: **Velo Enterprises Co., Ltd.**, Taichung (TW)

Primary Examiner — Marcus Jackson
(74) *Attorney, Agent, or Firm* — Browdy and Neimark, PLLC

(**) Term: **14 Years**

(57) **CLAIM**

(21) Appl. No.: **29/371,604**

The ornamental design for a taillight for bicycle, as shown and described.

(22) Filed: **May 11, 2011**

DESCRIPTION

(30) **Foreign Application Priority Data**

Apr. 1, 2011 (TW) 100301578

(51) **LOC (9) Cl.** **26-06**

(52) **U.S. Cl.** **D26/28**

(58) **Field of Classification Search** D26/28-36;
362/459-468, 475-478, 485-487
See application file for complete search history.

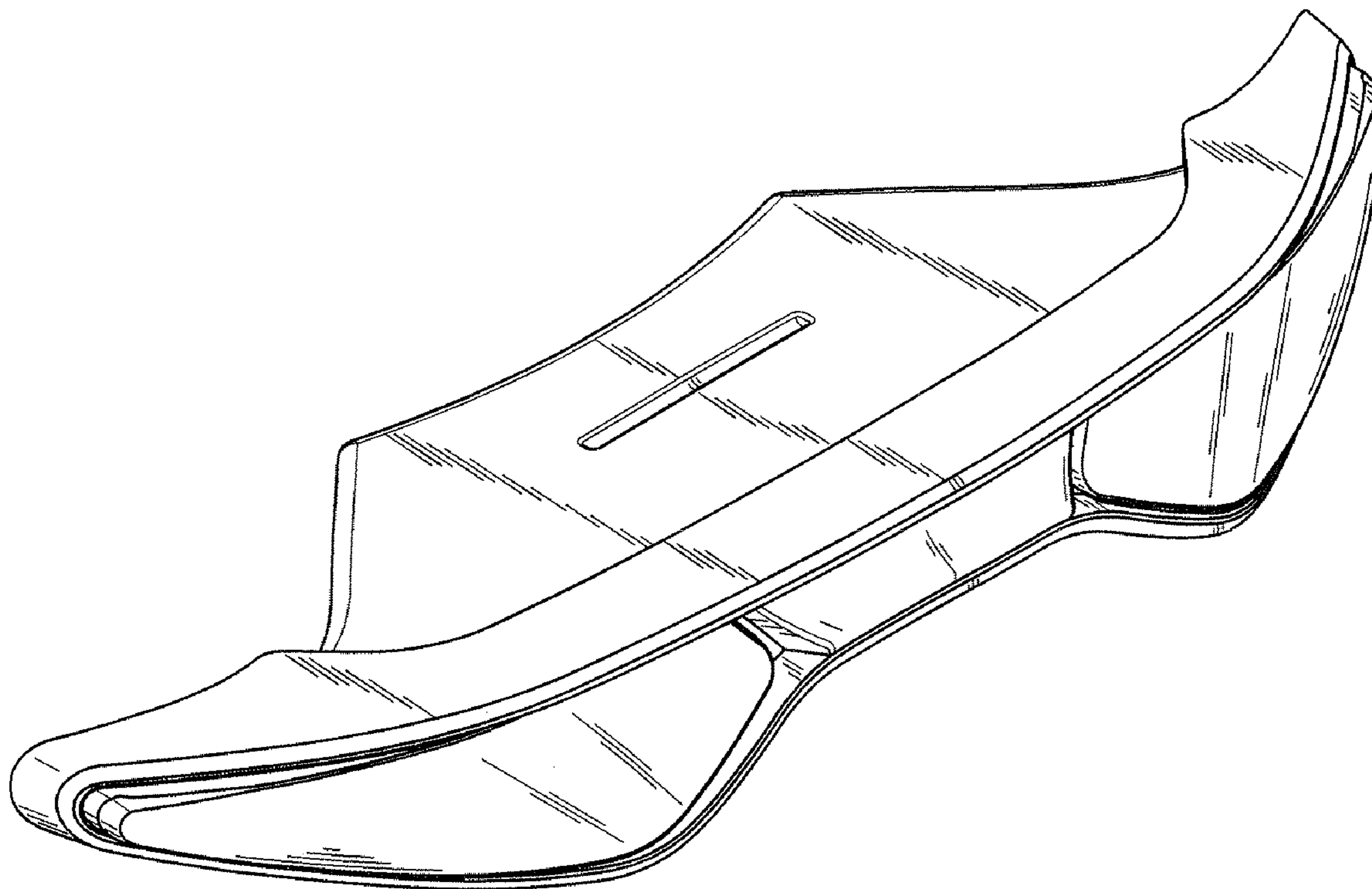
FIG. 1 shows a perspective view of the present design.
FIG. 2 shows a front view of the present design.
FIG. 3 shows a rear view of the present design.
FIG. 4 shows a left view of the present design.
FIG. 5 shows a right view of the present design.
FIG. 6 shows a top view of the present design.
FIG. 7 shows a bottom view of the present design; and,
FIG. 8 shows that the housing of the present design is mounted beneath a bicycle saddle.
The broken line showing of the bicycle Seat is included for the purpose of illustrating only and forms no part of the claimed design.

(56) **References Cited**

U.S. PATENT DOCUMENTS

D529,205 S * 9/2006 Nagano D26/28
D529,639 S * 10/2006 Okuda D26/28

1 Claim, 5 Drawing Sheets



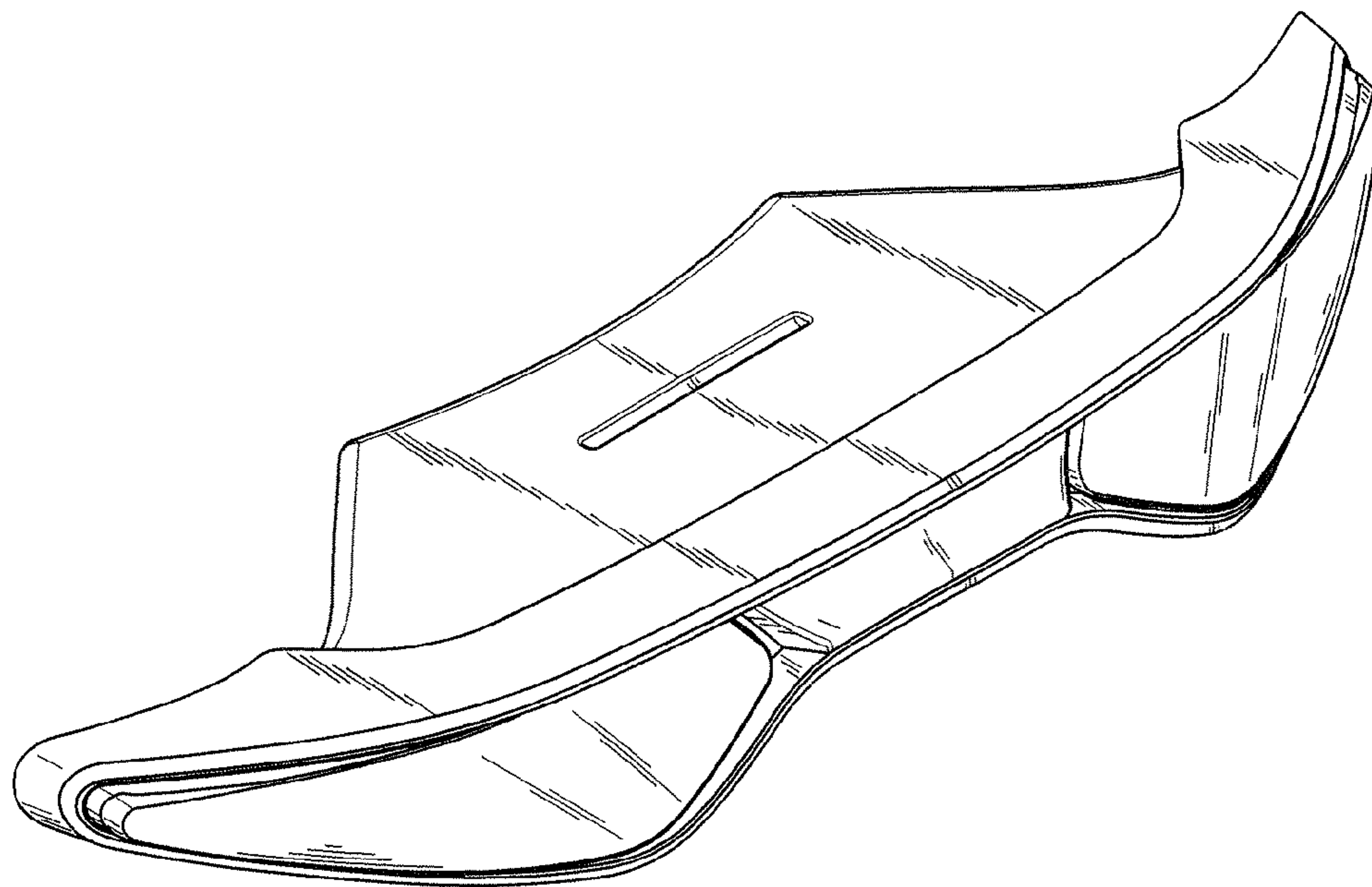


FIG. 1

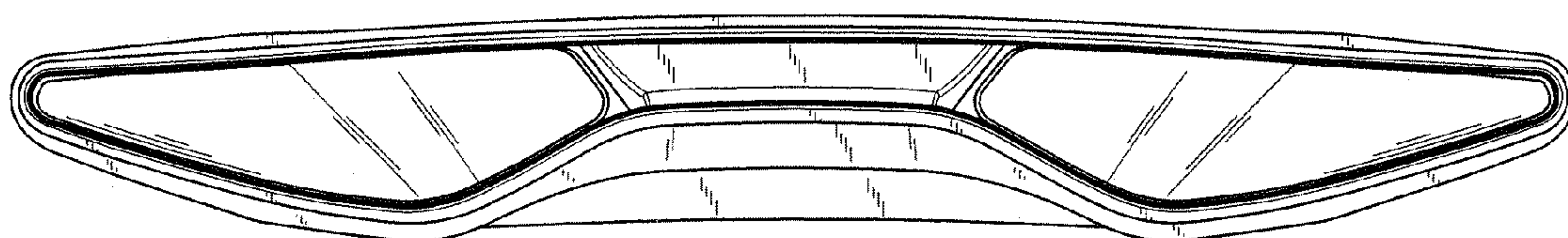


FIG. 2

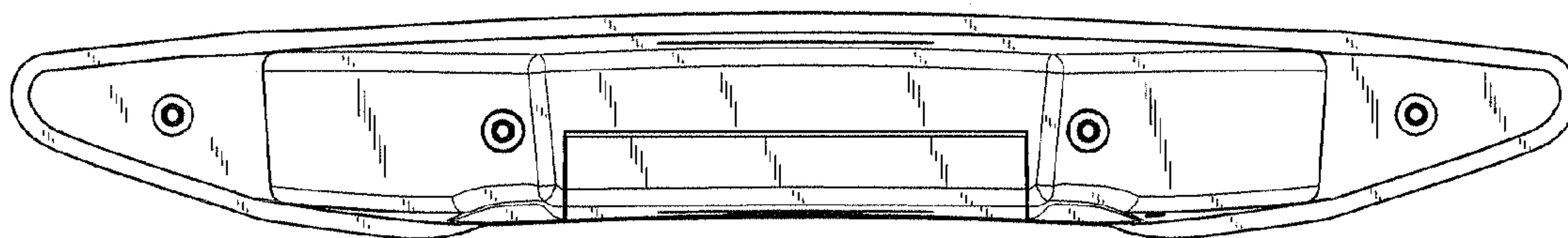


FIG. 3

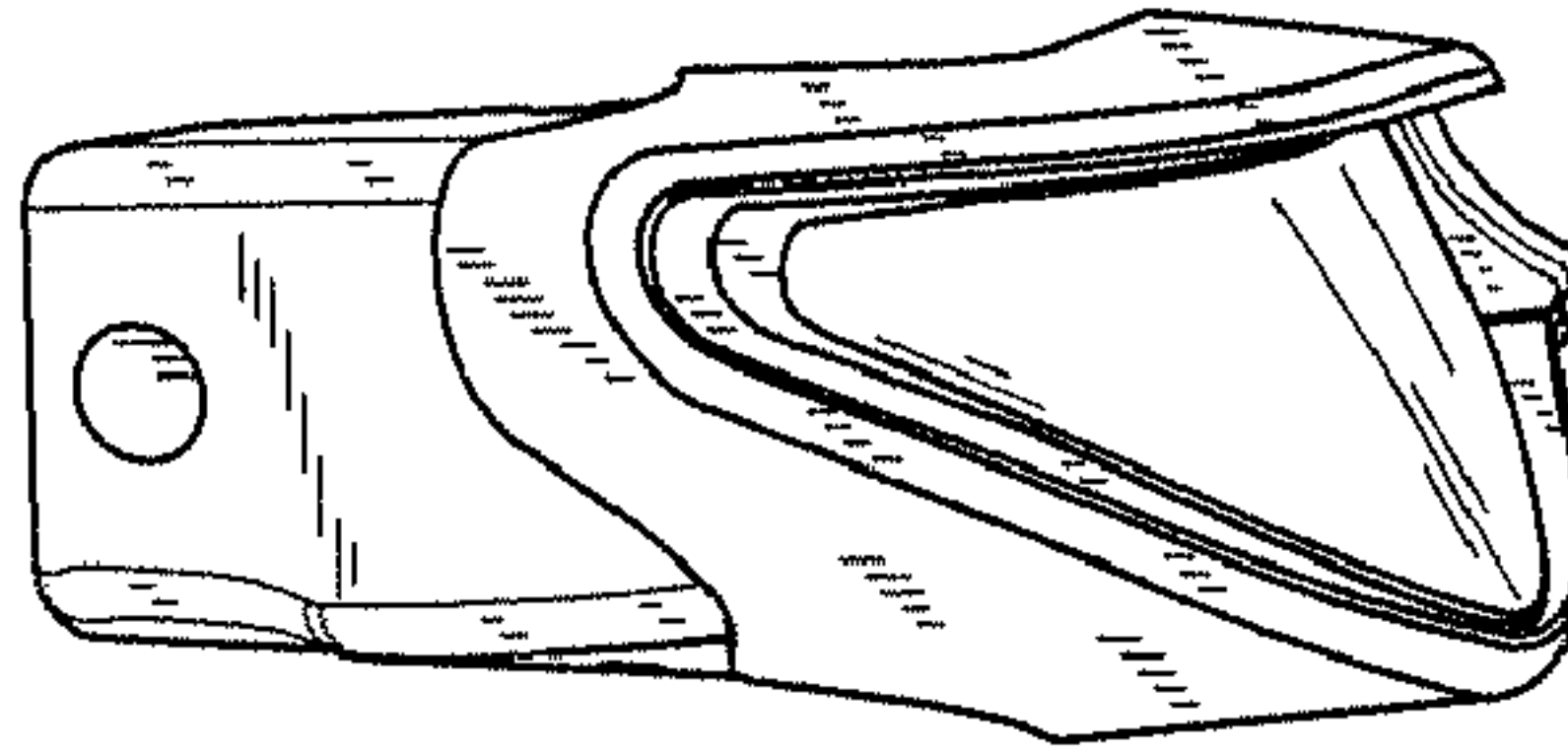


FIG. 4

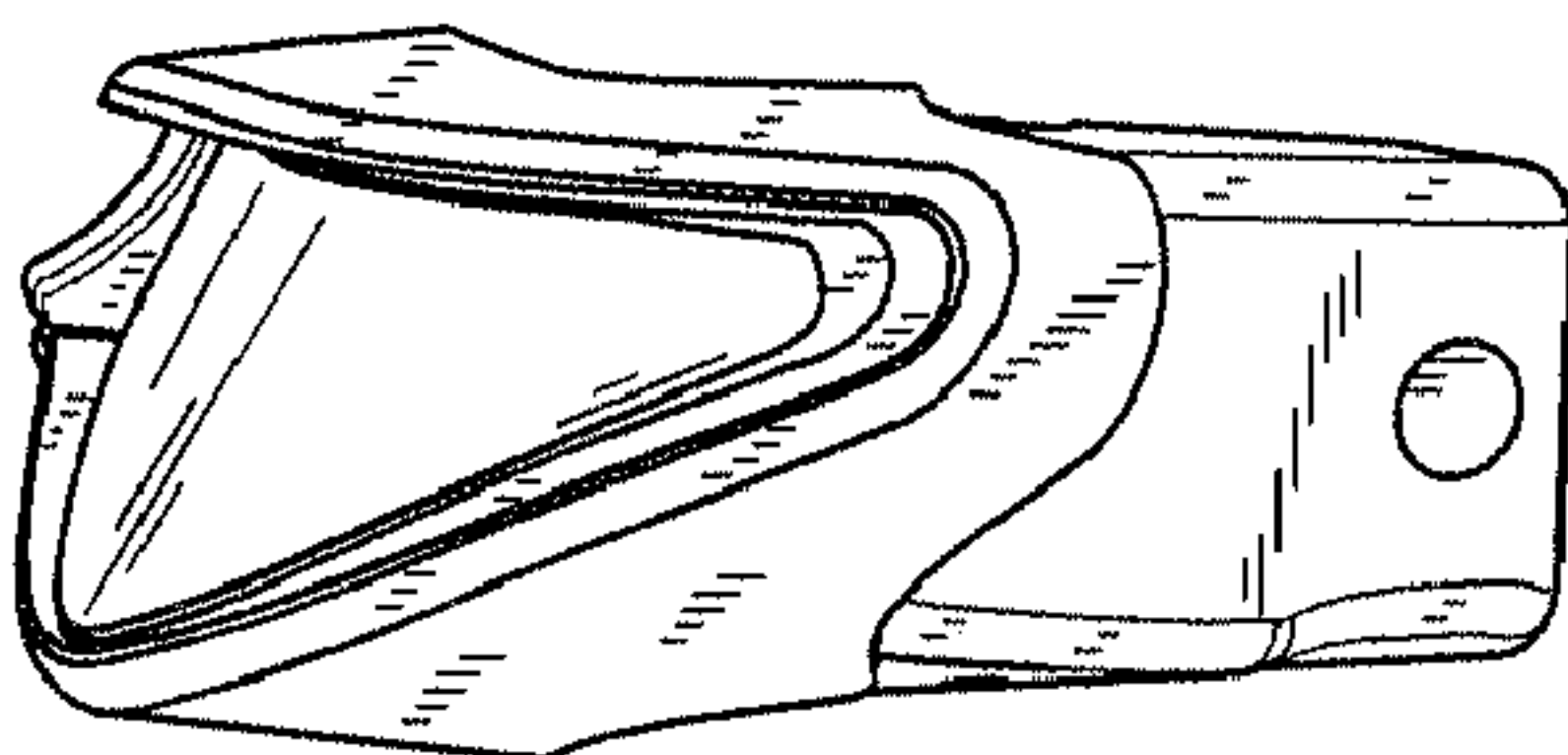


FIG. 5

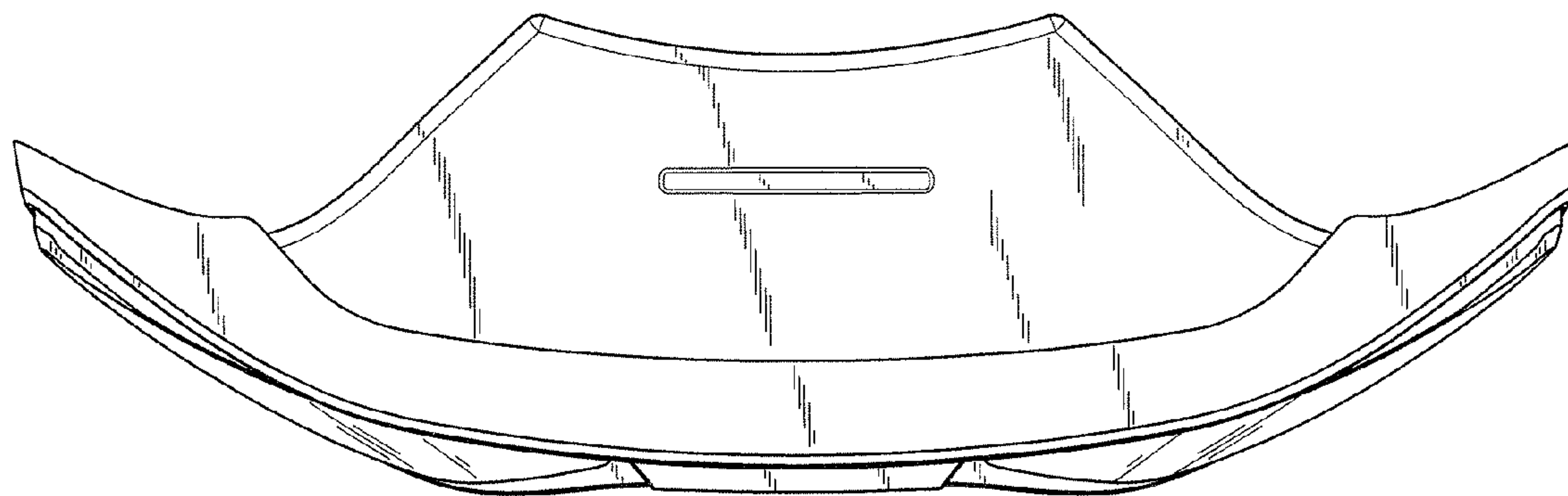


FIG. 6

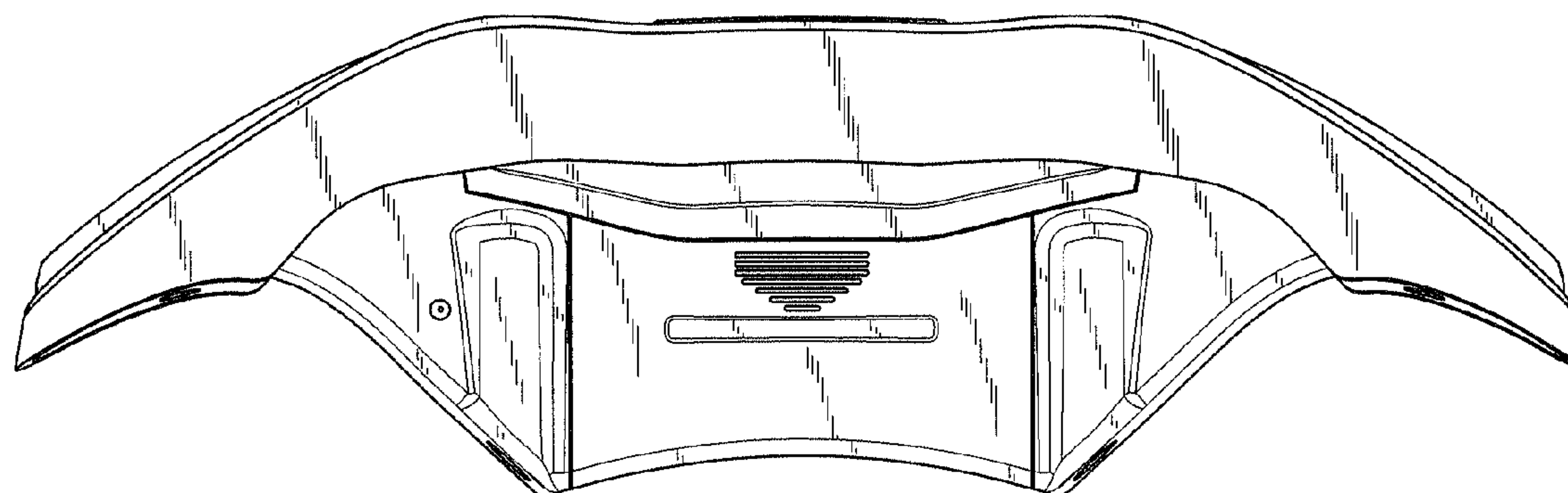


FIG. 7

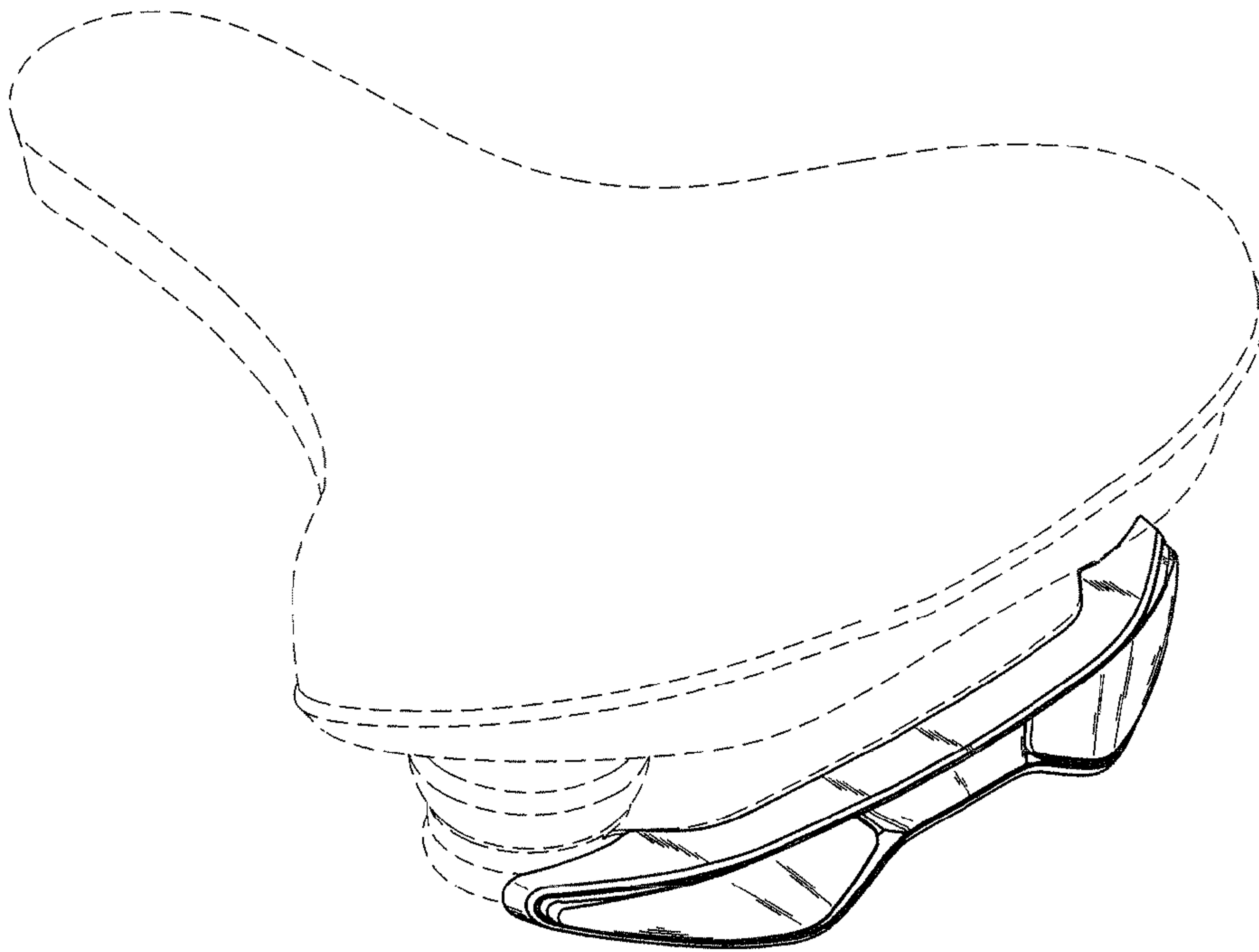


FIG. 8