



US00D661823S

(12) **United States Design Patent**  
**Uneo et al.**

(10) **Patent No.:** **US D661,823 S**  
(45) **Date of Patent:** **\*\* Jun. 12, 2012**

(54) **LIGHT-EMITTING DIODE LAMP**  
(75) Inventors: **Haruhiko Uneo**, Osaka (JP); **Kenji Takahashi**, Osaka (JP); **Koichi Nakamura**, Osaka (JP); **Yoshihiko Kanayama**, Hyogo (JP); **Hideaki Kiryu**, Osaka (JP)

(73) Assignee: **Panasonic Corporation**, Osaka (JP)

(\*\*) Term: **14 Years**

(21) Appl. No.: **29/400,182**

(22) Filed: **Aug. 24, 2011**

(30) **Foreign Application Priority Data**

Jul. 5, 2011 (JP) ..... 2011-015374

(51) **LOC (9) Cl.** ..... **26-04**

(52) **U.S. Cl.** ..... **D26/2**

(58) **Field of Classification Search** ..... D26/1-4;  
313/313, 315, 316, 317, 318, 493; 315/52,  
315/53, 56, 57, 58

See application file for complete search history.

(56) **References Cited**

**U.S. PATENT DOCUMENTS**

D534,665 S \* 1/2007 Egawa et al. .... D26/2  
D542,426 S \* 5/2007 Itaya et al. .... D26/2  
D549,361 S \* 8/2007 To et al. .... D26/2  
D581,556 S \* 11/2008 To et al. .... D26/2

D600,367 S \* 9/2009 Bertram et al. .... D26/2  
D602,614 S \* 10/2009 Takahashi et al. .... D26/2  
D617,918 S \* 6/2010 Yamamoto et al. .... D26/2  
D634,451 S 3/2011 de Visser  
D635,281 S \* 3/2011 Murakami et al. .... D26/2

**FOREIGN PATENT DOCUMENTS**

JP D1397794 10/2010  
JP D1398172 10/2010  
JP D1410913 4/2011  
JP D1414873 5/2011

\* cited by examiner

*Primary Examiner* — Marcus Jackson

(74) *Attorney, Agent, or Firm* — Brinks Hofer Gilson & Lione

(57) **CLAIM**

We claim the ornamental design for a light-emitting diode lamp, as shown and described.

**DESCRIPTION**

FIG. 1 is a top perspective view of a light-emitting diode lamp of the present invention;  
FIG. 2 is a front view thereof;  
FIG. 3 is a rear view thereof;  
FIG. 4 is a first side view thereof;  
FIG. 5 is a second side view thereof;  
FIG. 6 is a top view thereof; and,  
FIG. 7 is a bottom view thereof.

The broken lines shown represent unclaimed subject matter and form no part of the claimed design.

**1 Claim, 7 Drawing Sheets**

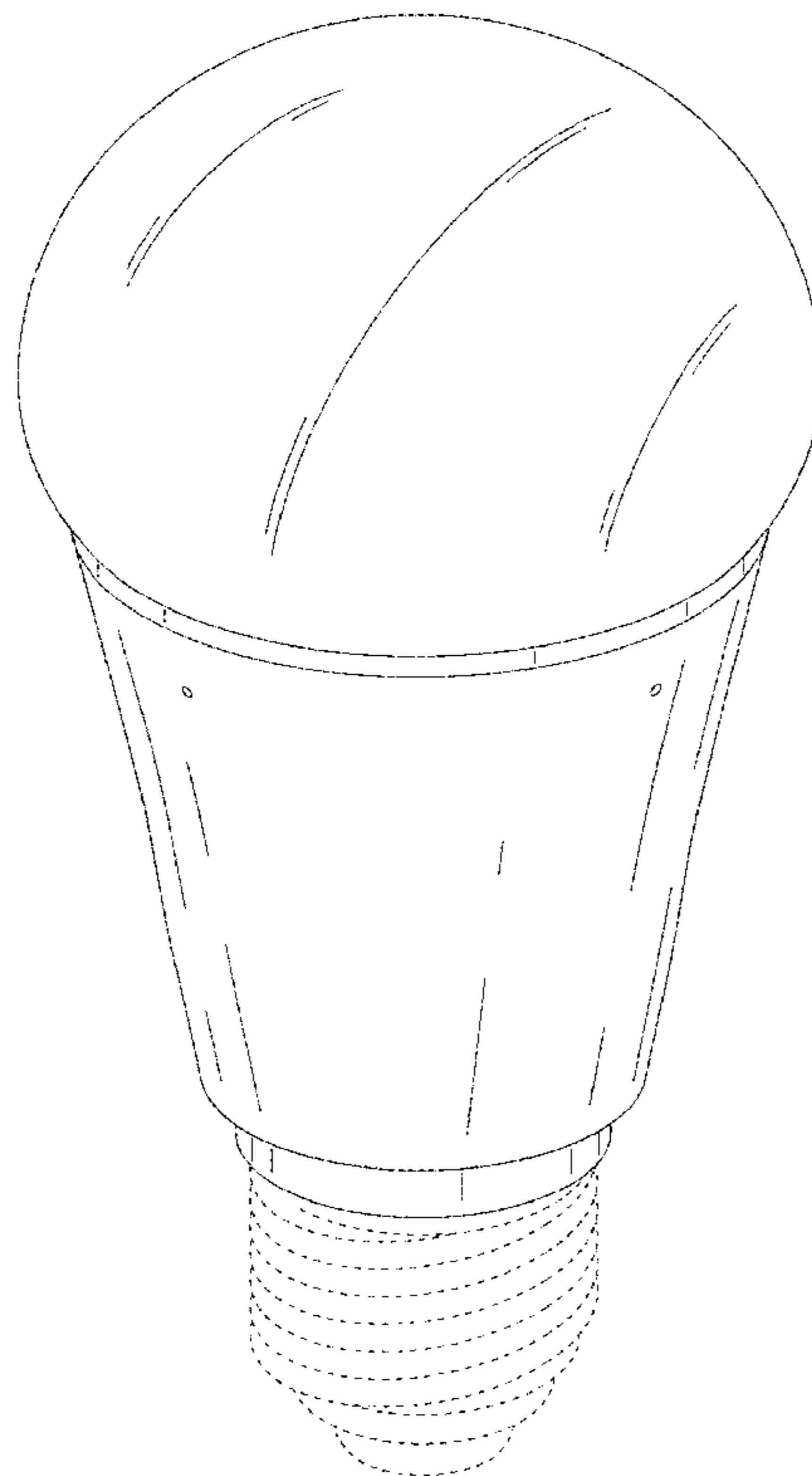


FIG. 1

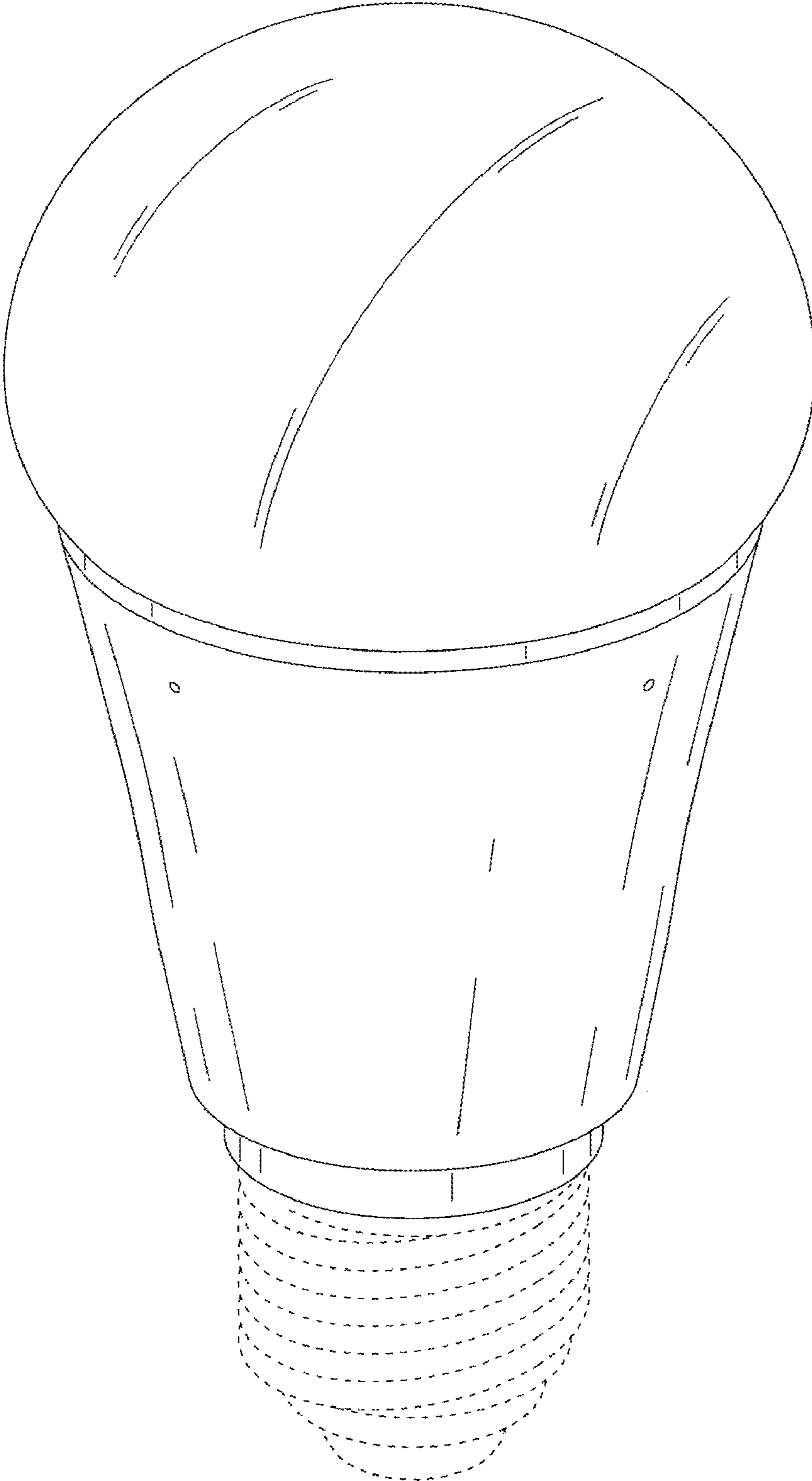


FIG.2

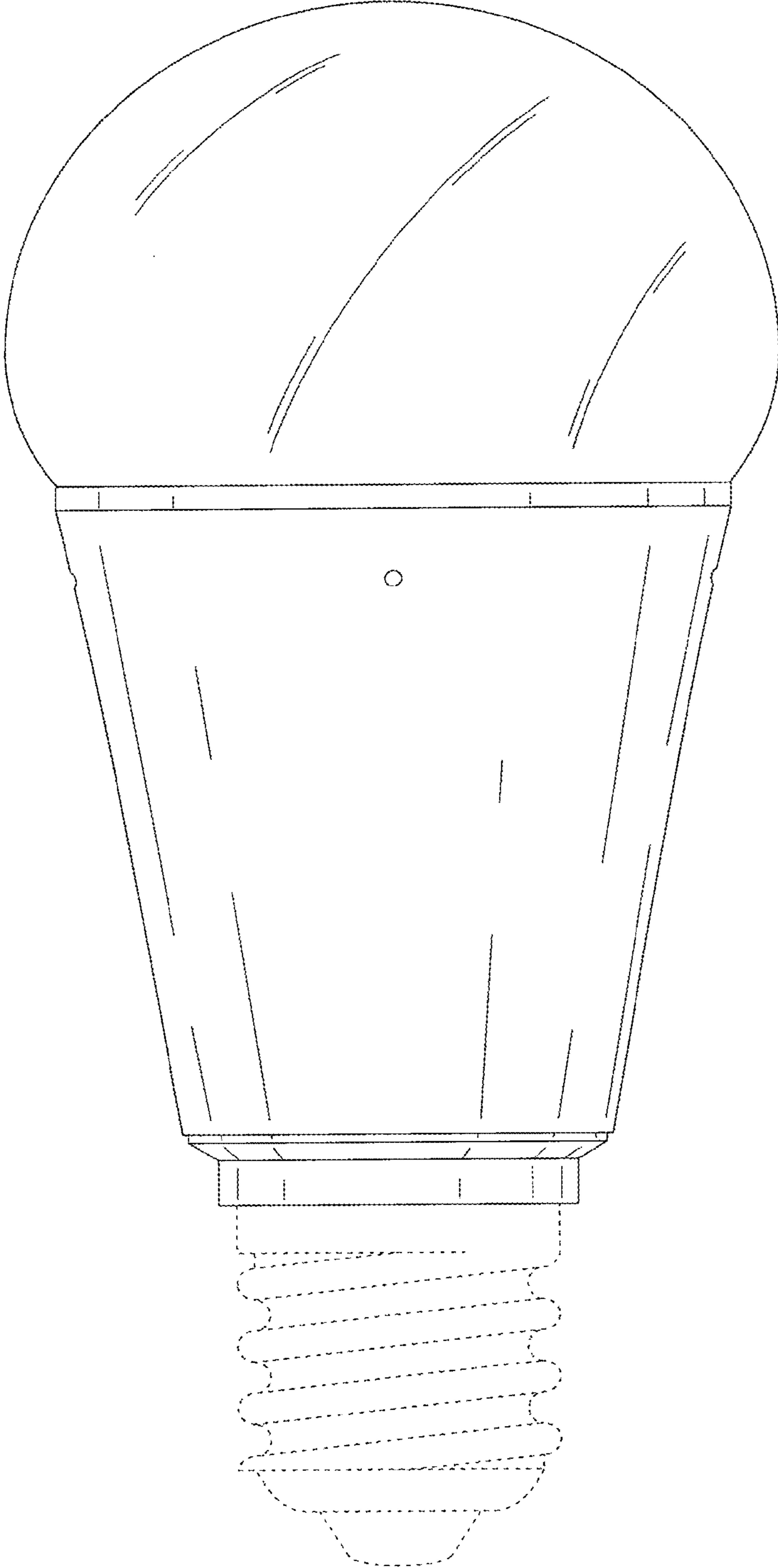


FIG.3

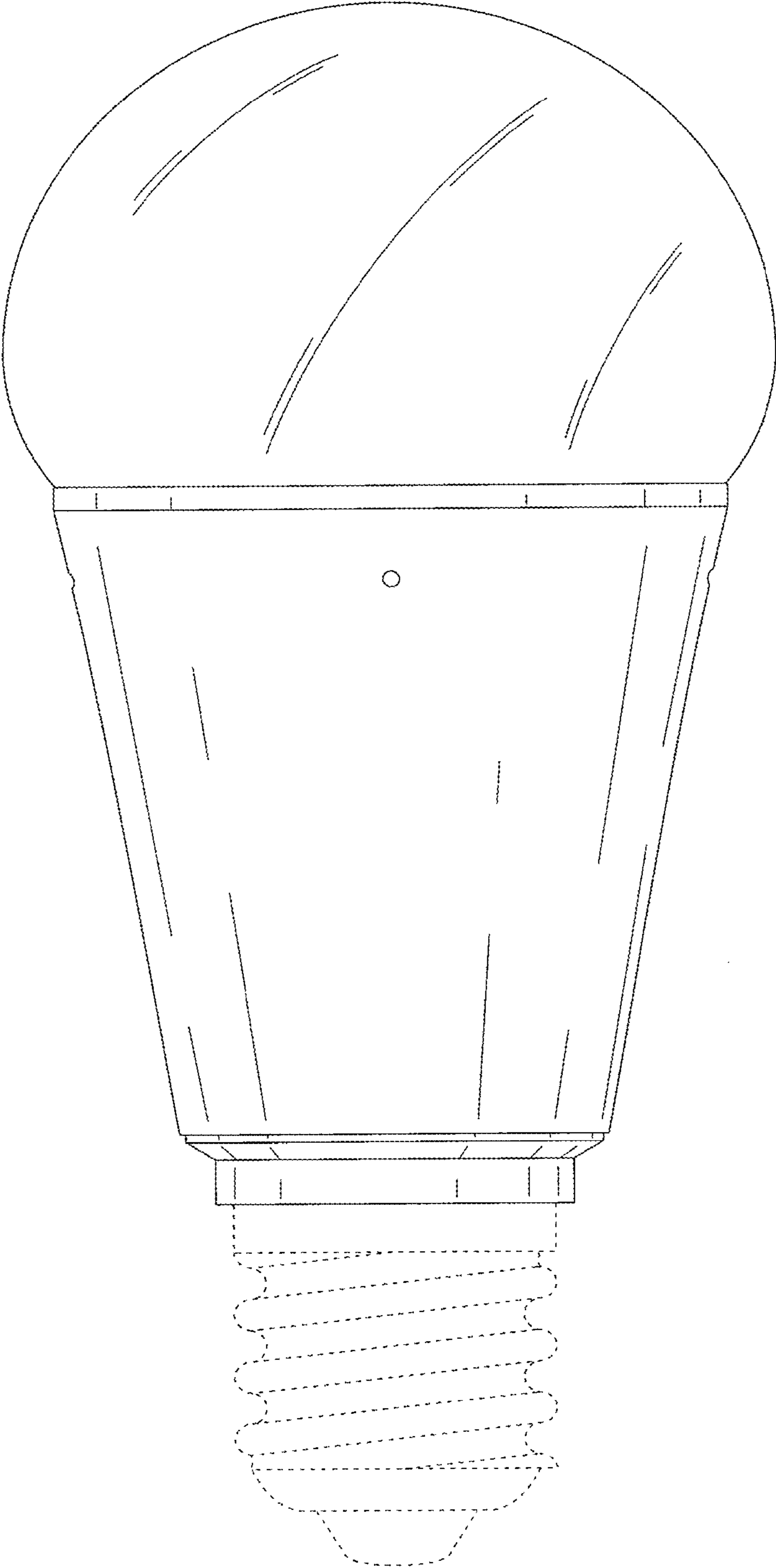


FIG.4

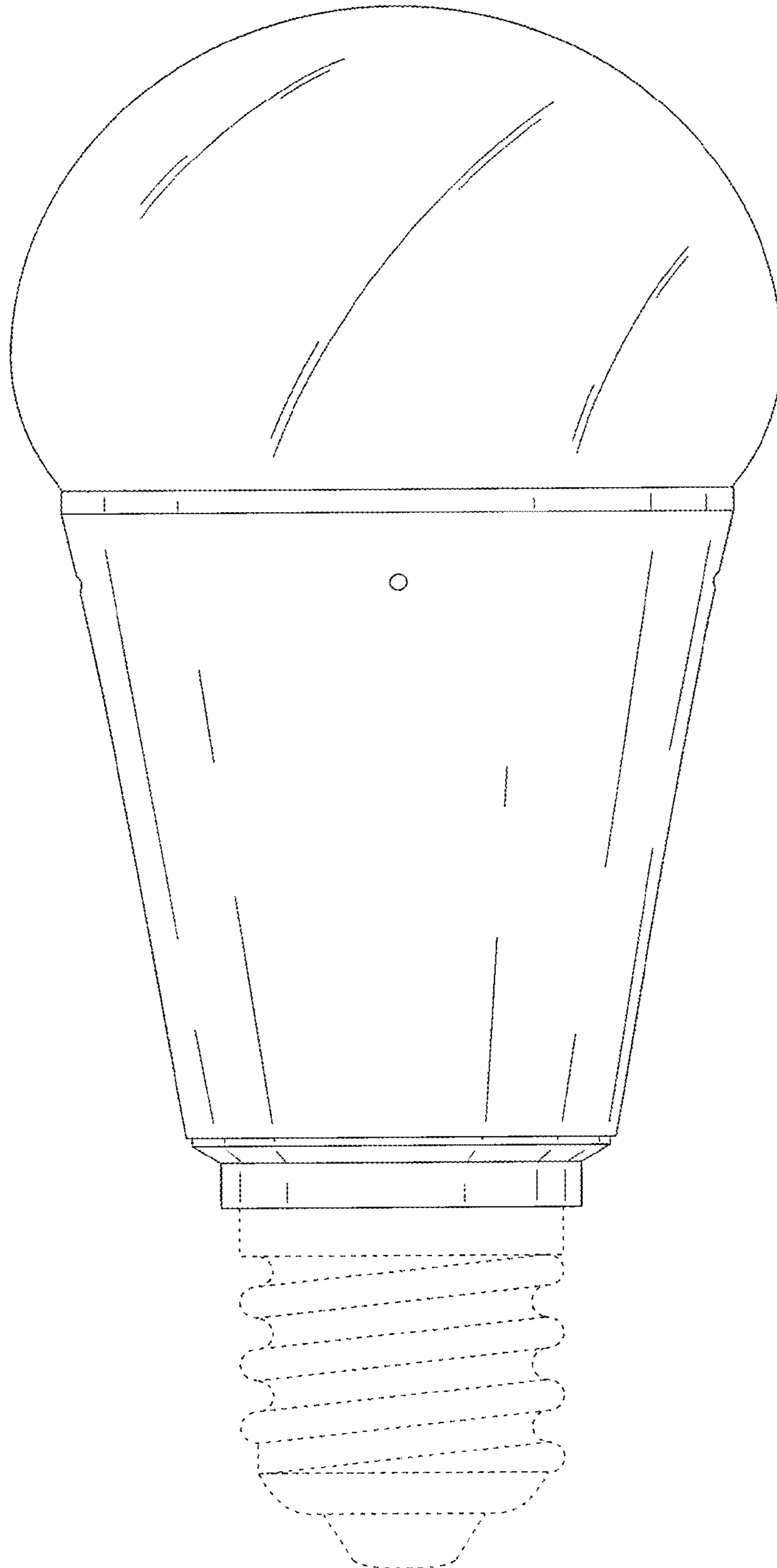


FIG.5

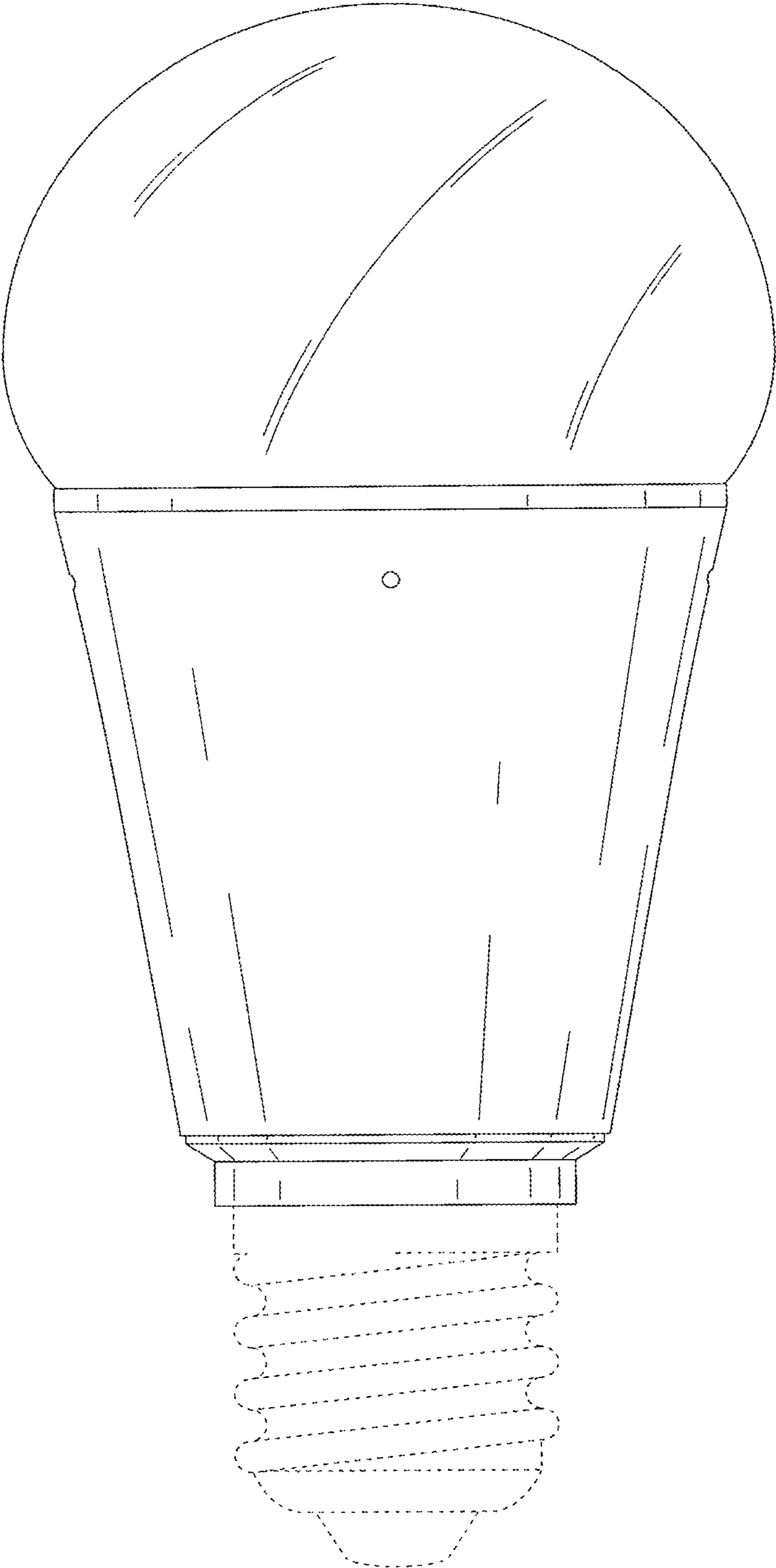


FIG.6

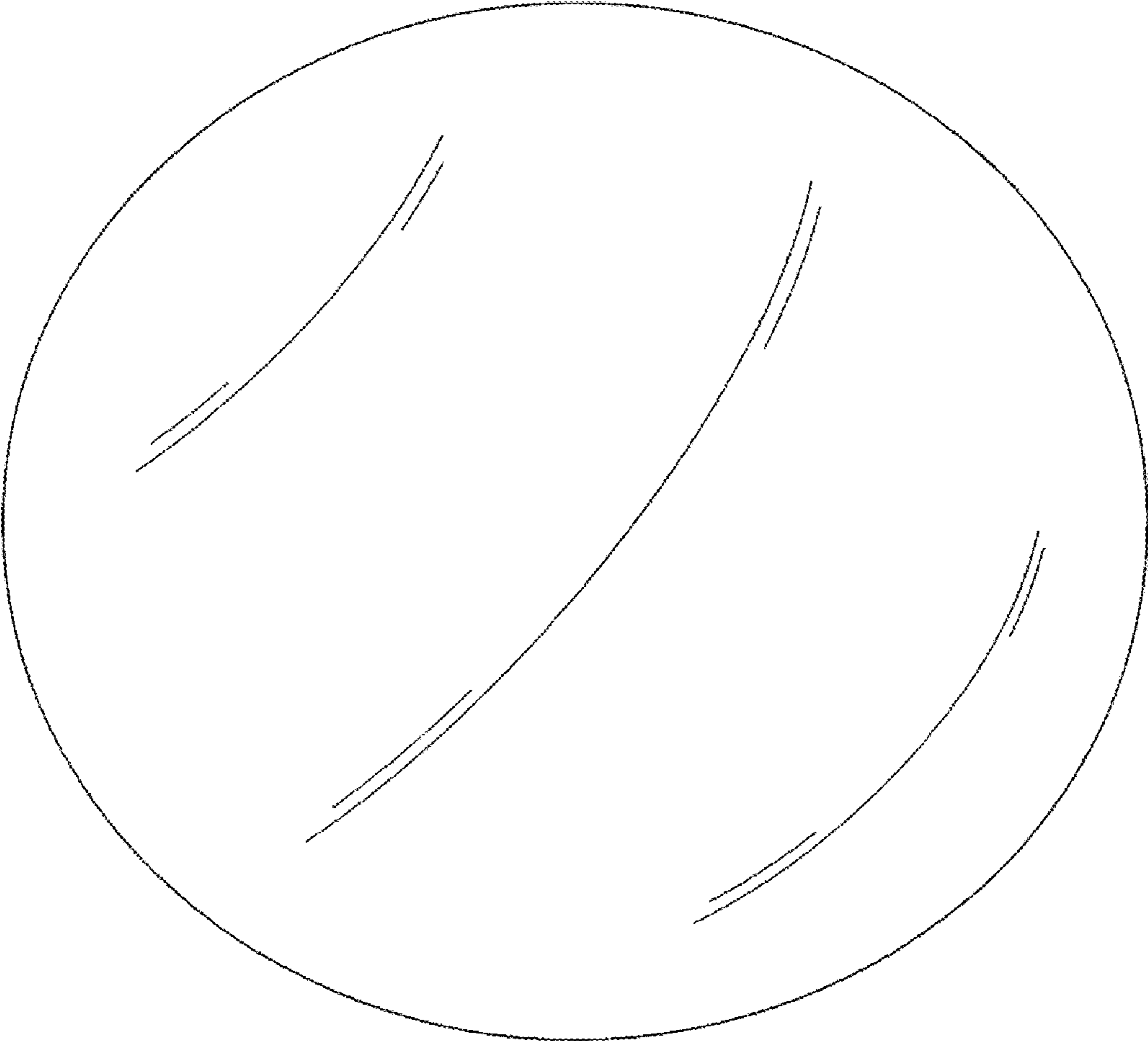


FIG. 7

