

US00D661822S

(12) **United States Design Patent**
Jeon et al.

(10) **Patent No.:** **US D661,822 S**
(45) **Date of Patent:** **** Jun. 12, 2012**

(54) **LED LAMP**

(75) Inventors: **Jong Hoon Jeon**, Seoul (KR); **Min Ho Cha**, Seoul (KR)

(73) Assignee: **Samsung LED Co., Ltd.**, Gyeonggi-do (KR)

(**) Term: **14 Years**

(21) Appl. No.: **29/392,509**

(22) Filed: **May 23, 2011**

(30) **Foreign Application Priority Data**

Nov. 23, 2010 (KR) 30-2010-0050413

(51) **LOC (9) Cl.** **26-04**

(52) **U.S. Cl.** **D26/2**

(58) **Field of Classification Search** D26/1-4;
313/313, 315, 316, 317, 318; 315/52, 53,
315/56, 57, 58

See application file for complete search history.

(56) **References Cited**

U.S. PATENT DOCUMENTS

D508,575 S * 8/2005 Buschmann et al. D26/2
D528,227 S * 9/2006 Chou et al. D26/2
D600,367 S * 9/2009 Bertram et al. D26/2

* cited by examiner

Primary Examiner — Marcus Jackson

(74) *Attorney, Agent, or Firm* — McDermott Will & Emery LLP

(57) **CLAIM**

The ornamental design for an LED lamp, as shown and described.

DESCRIPTION

FIG. 1 is a front elevational view of a LED lamp showing our new design;

FIG. 2 is a rear elevational view thereof;

FIG. 3 is a left side elevational view thereof;

FIG. 4 is a right side elevational view of thereof;

FIG. 5 is a top plan view of thereof;

FIG. 6 is a bottom plan view of thereof;

FIG. 7 is a perspective view 1 of thereof; and,

FIG. 8 is a perspective view 2 of thereof.

1 Claim, 3 Drawing Sheets

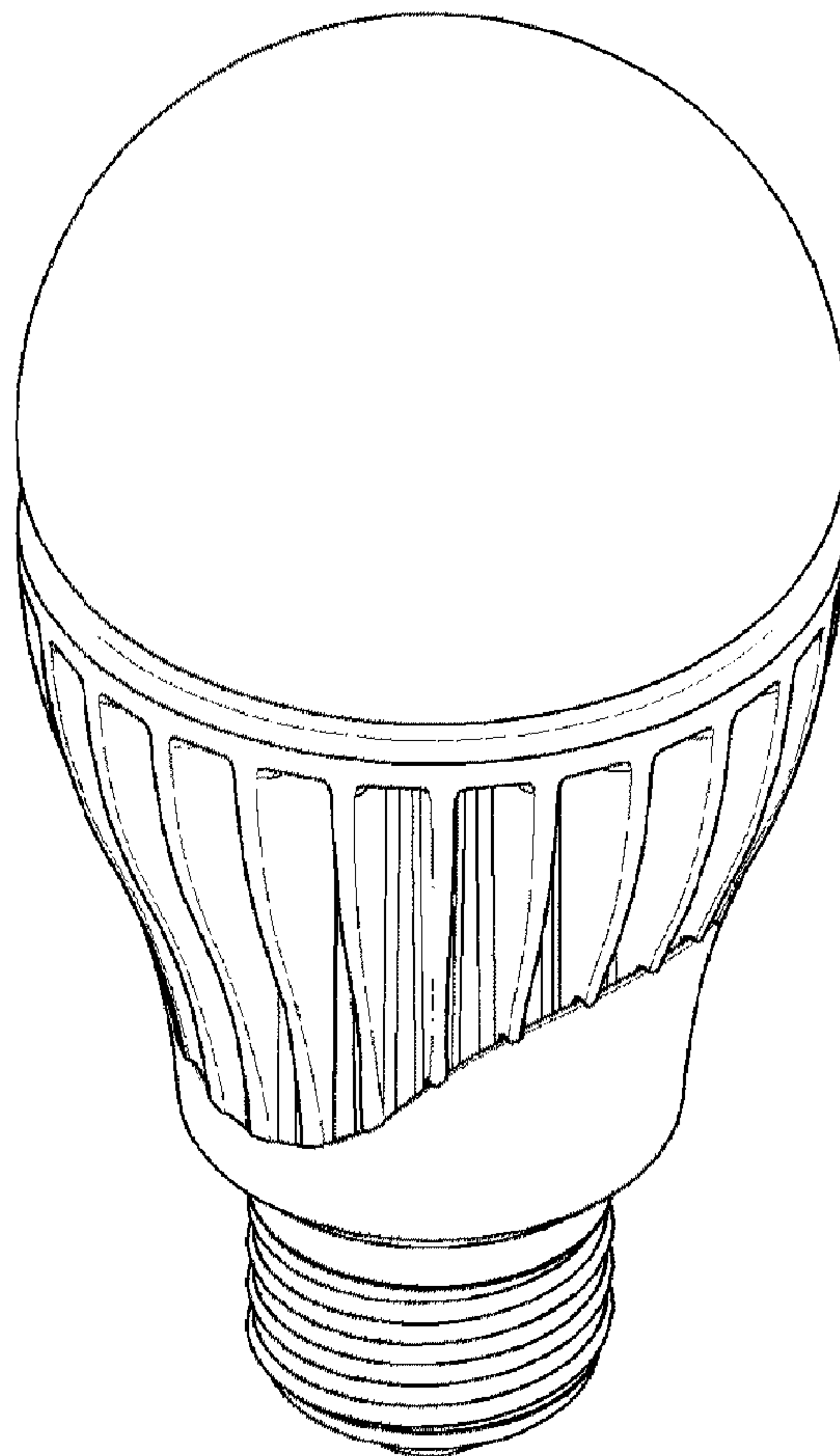


FIG. 1

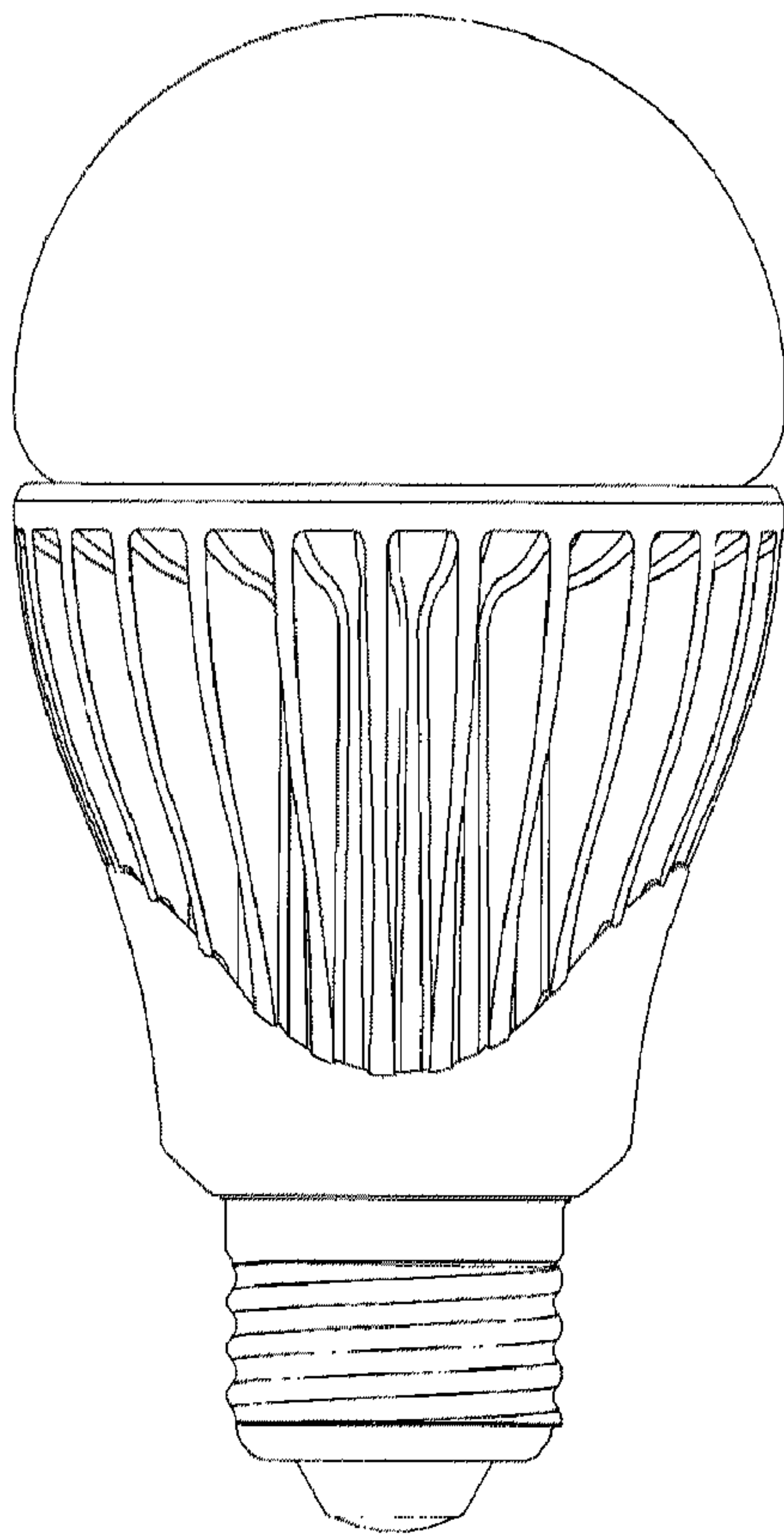


FIG. 2

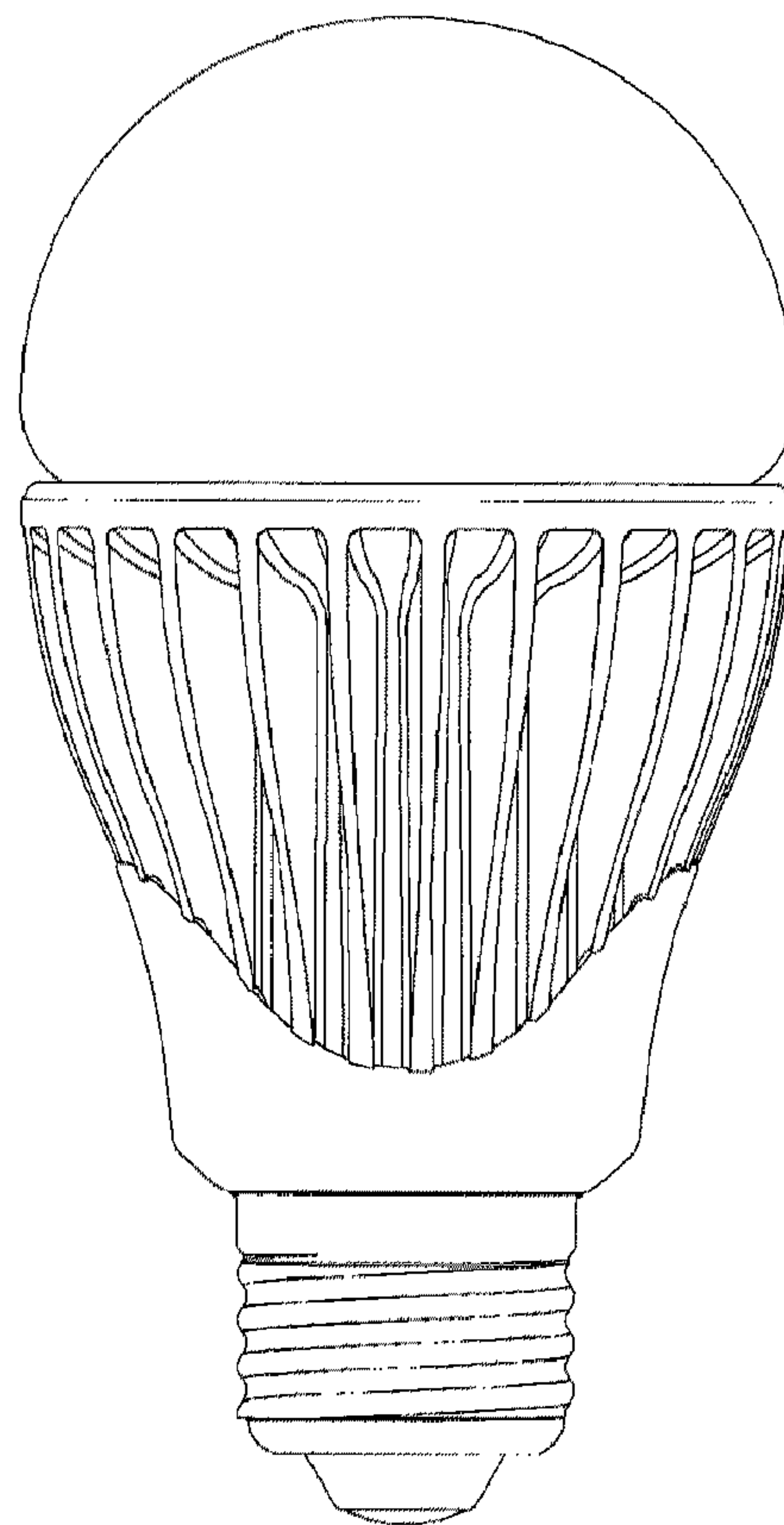


FIG. 3

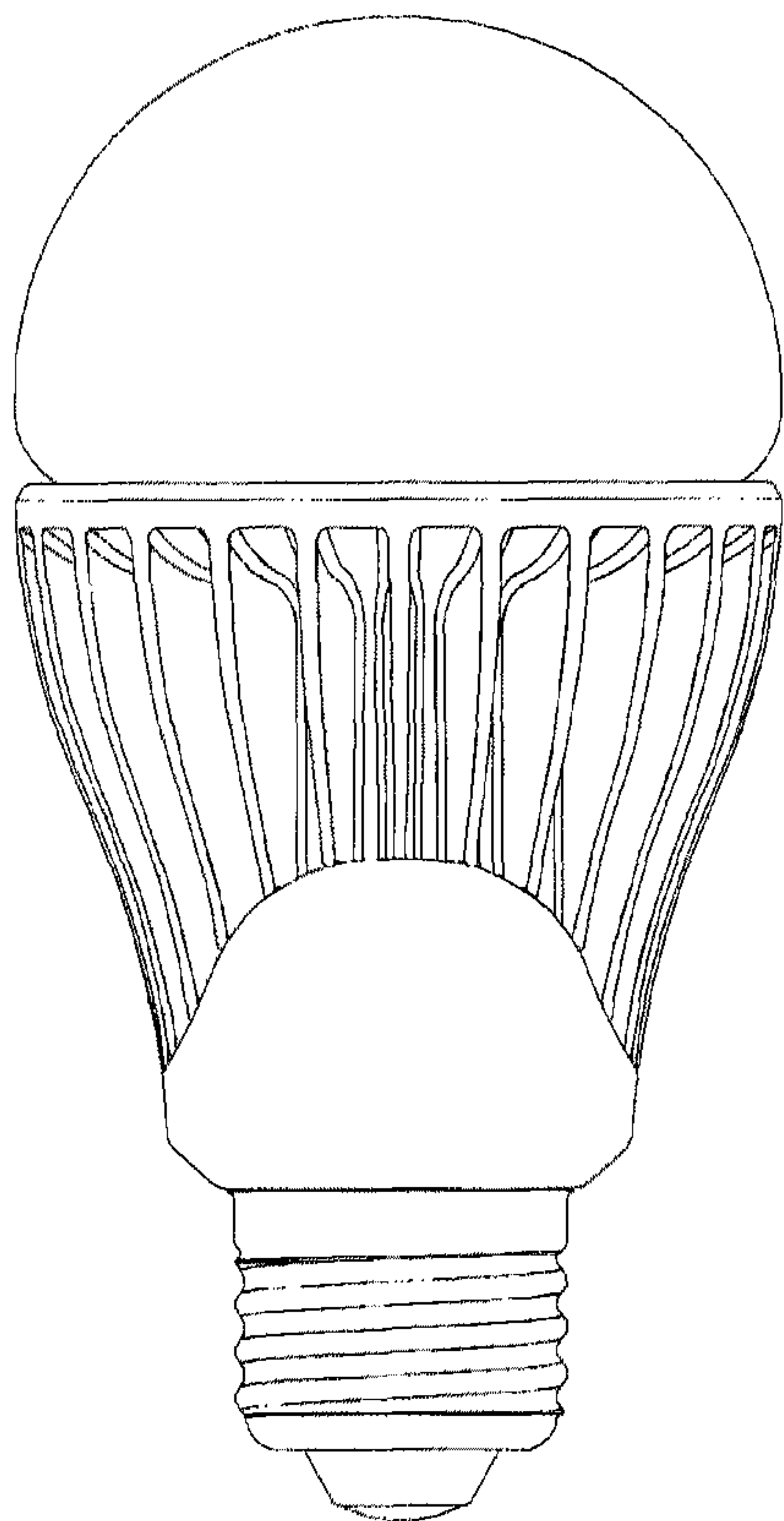


FIG. 4

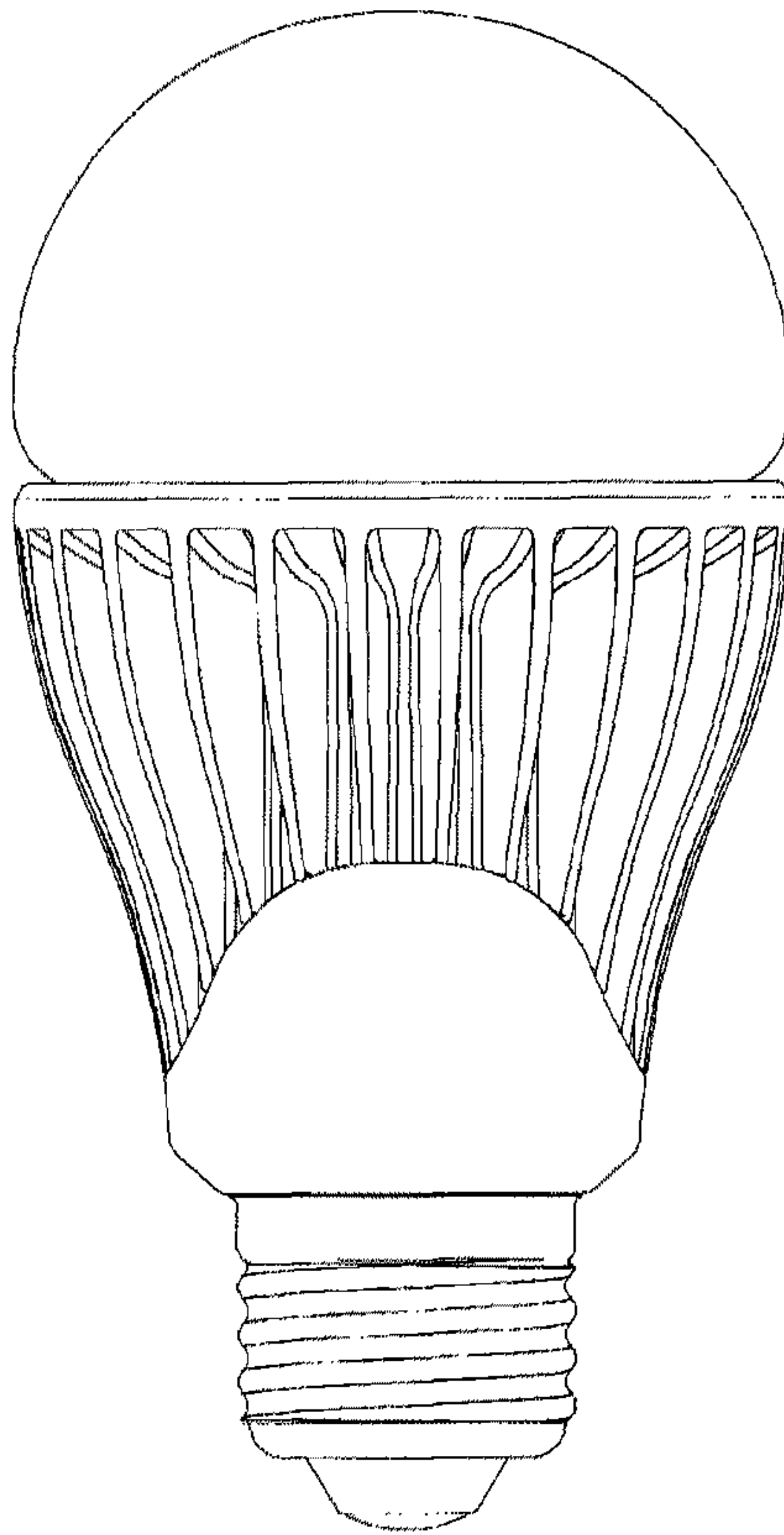


FIG. 5

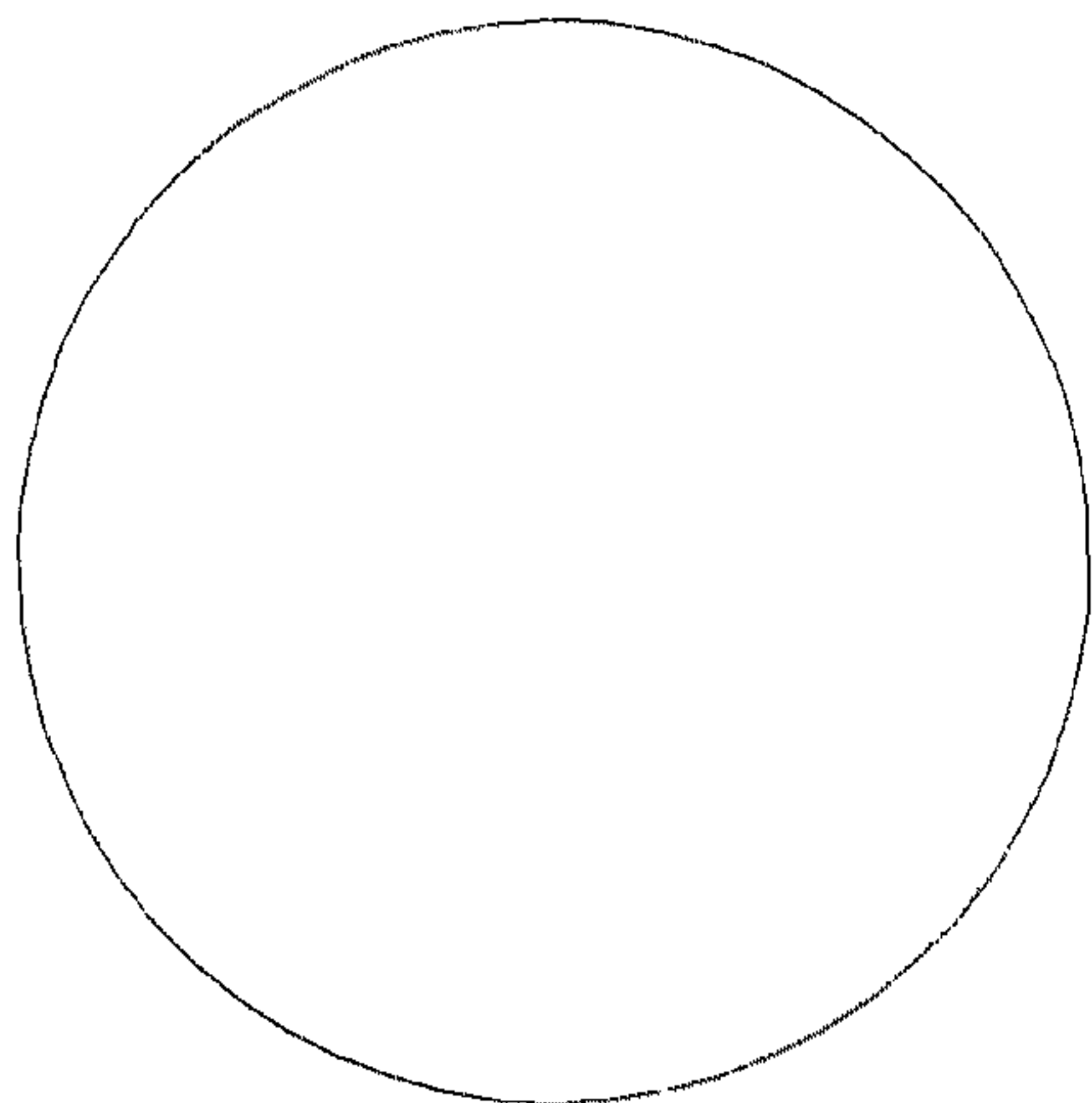


FIG. 6

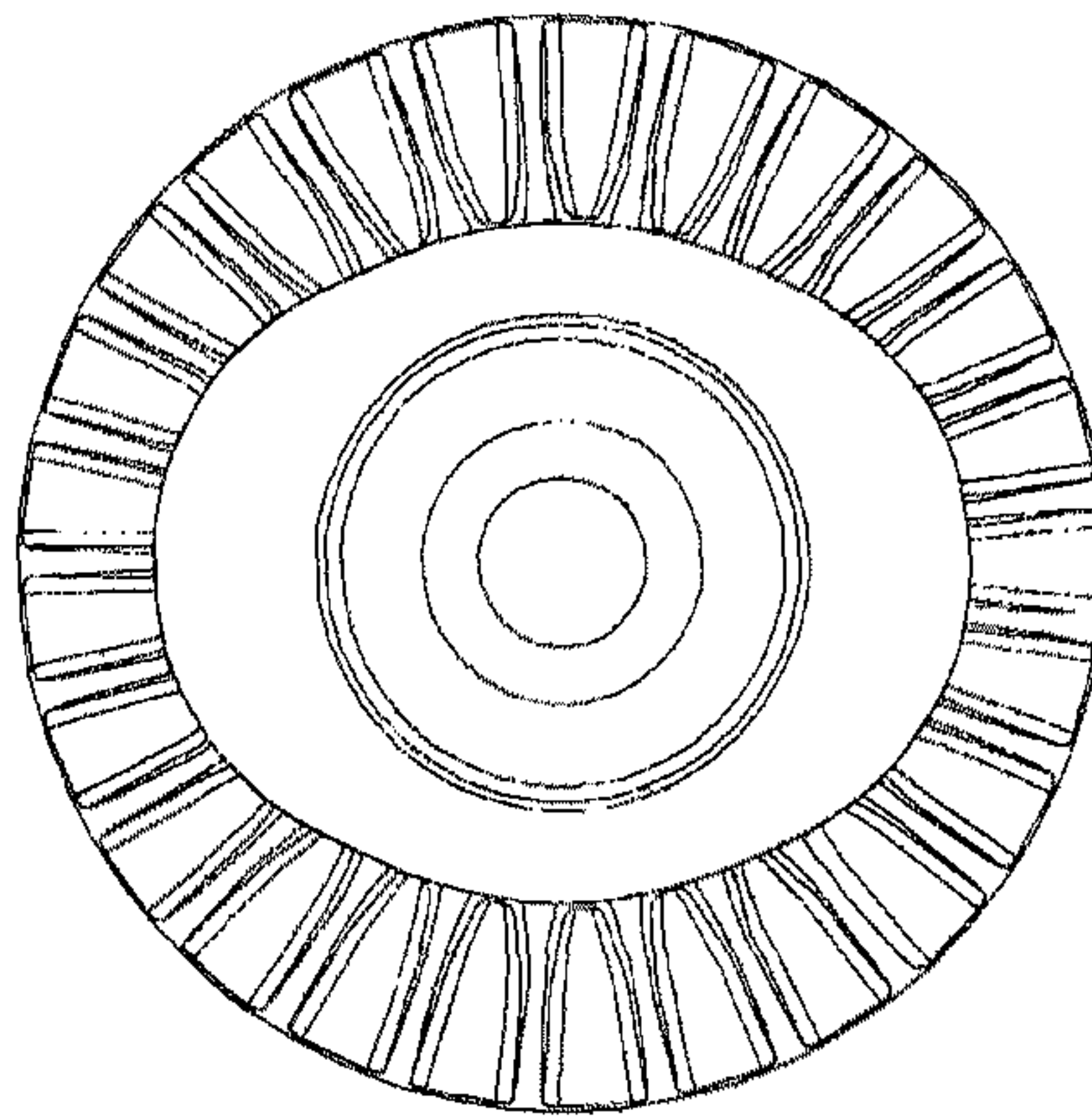


FIG. 7

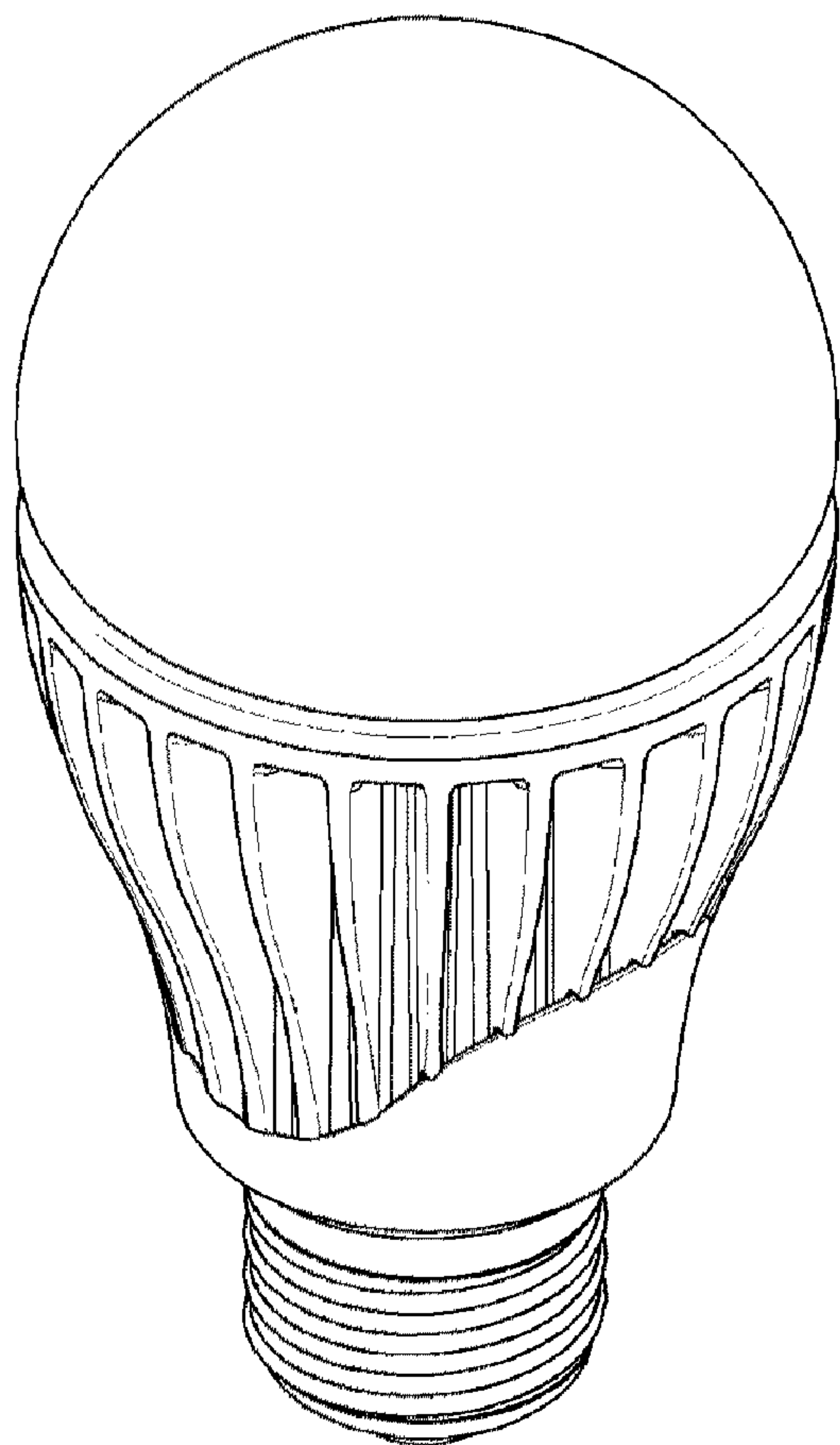


FIG. 8

