

US00D661817S

(12) **United States Design Patent**  
**Fournier et al.**

(10) **Patent No.:** **US D661,817 S**  
(45) **Date of Patent:** **\*\* Jun. 12, 2012**

- (54) **CORNER FOR FORMWORK**
- (75) Inventors: **Andre Fournier**, St-Germain (CA);  
**Pierre-Michel D'Anglade**, Ville  
Mont-Royal (CA)
- (73) Assignee: **Abzac Canada Inc.**, Drummondville  
(Quebec) (CA)
- (\*\*) Term: **14 Years**
- (21) Appl. No.: **29/382,913**
- (22) Filed: **Mar. 18, 2011**

- D283,446 S 4/1986 Burkinshaw
- D319,509 S 8/1991 Ogilvie
- D325,178 S 4/1992 Corneal
- 5,216,863 A 6/1993 Nessa et al.
- D375,270 S 11/1996 Nagai et al.
- 5,647,181 A 7/1997 Hunts
- D421,133 S 2/2000 Mandell

(Continued)

*Primary Examiner* — Anhdao Doan  
(74) *Attorney, Agent, or Firm* — Fish & Richardson P.C.

(57) **CLAIM**  
The ornamental design for a corner for formworks, as shown and described.

**Related U.S. Application Data**

- (62) Division of application No. 29/337,939, filed on Jun. 2, 2009, now abandoned.
  - (51) **LOC (9) Cl.** ..... **25-01**
  - (52) **U.S. Cl.** ..... **D25/102**
  - (58) **Field of Classification Search** ..... D25/102,  
D25/119, 124, 136, 164, 61; D8/403; 405/16,  
405/17, 33, 35, 286; 52/503-505, 574, 575,  
52/596-612, 435, 475.19, 282.1, 282.2, 282.4,  
52/270, 275, 287.1, 288.1, 564, 845; 404/29-31,  
404/34
- See application file for complete search history.

**DESCRIPTION**

FIG. 1 is a perspective view of a first variant of the corner. FIG. 2 is a top view and a bottom view of the corner of FIG. 1.

FIG. 3 is a side view of a first side of the corner of FIG. 1. FIG. 4 is a side view of a second side of the corner of FIG. 1, the second side being at a right angle with the first side. FIG. 5 is a side view of a third and fourth side of the corner of FIG. 1, which are respectively opposite to the first and second sides.

FIG. 6 is a perspective view of a second variant of the corner. FIG. 7 is a top view and a bottom view of the corner of FIG. 6.

FIG. 8 is a side view of a first side of the corner of FIG. 6. FIG. 9 is a side view of a second side of the corner of FIG. 6, the second side being at a right angle with the first side; and, FIG. 10 is a side view of a third and fourth side of the corner of FIG. 6, which are respectively opposite to the first and second sides.

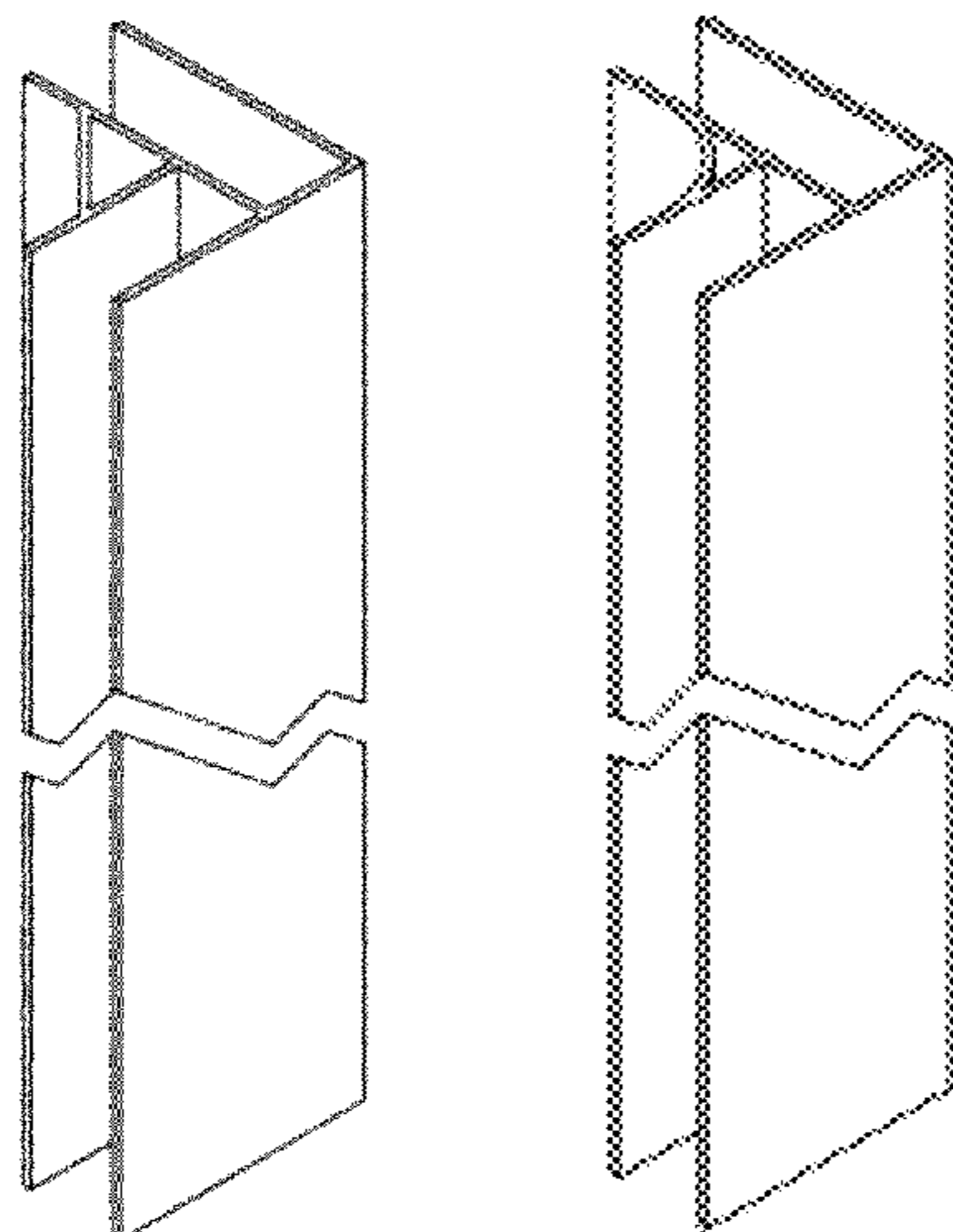
The broken lines indicate that the corner is of indefinite length as shown in the drawings.

(56) **References Cited**

**U.S. PATENT DOCUMENTS**

- 3,605,363 A 9/1971 Bard
- D228,453 S 9/1973 Greer
- 3,801,993 A 4/1974 Stalder
- 3,938,199 A 2/1976 Laven
- 3,950,907 A 4/1976 Dahowski
- 3,974,616 A \* 8/1976 Beckley ..... 52/656.1
- 3,989,397 A 11/1976 Baker
- 4,258,519 A 3/1981 Hugens
- 4,557,091 A 12/1985 Auer

**1 Claim, 2 Drawing Sheets**



# US D661,817 S

Page 2

---

U.S. PATENT DOCUMENTS						
D431,304	S	9/2000	Koenig et al.		6,519,906	B2 2/2003 Yost et al.
D432,672	S *	10/2000	Grosfillex .....	D25/124	7,926,241	B2 * 4/2011 Schiffmann et al. .... 52/793.1
6,173,547	B1 *	1/2001	Lipson .....	52/582.1	2005/0247852	A1 11/2005 Valero
6,260,816	B1	7/2001	Valero		2006/0080920	A1 * 4/2006 Barr .....
D455,219	S *	4/2002	Ohanesian .....	D25/124		52/270

\* cited by examiner

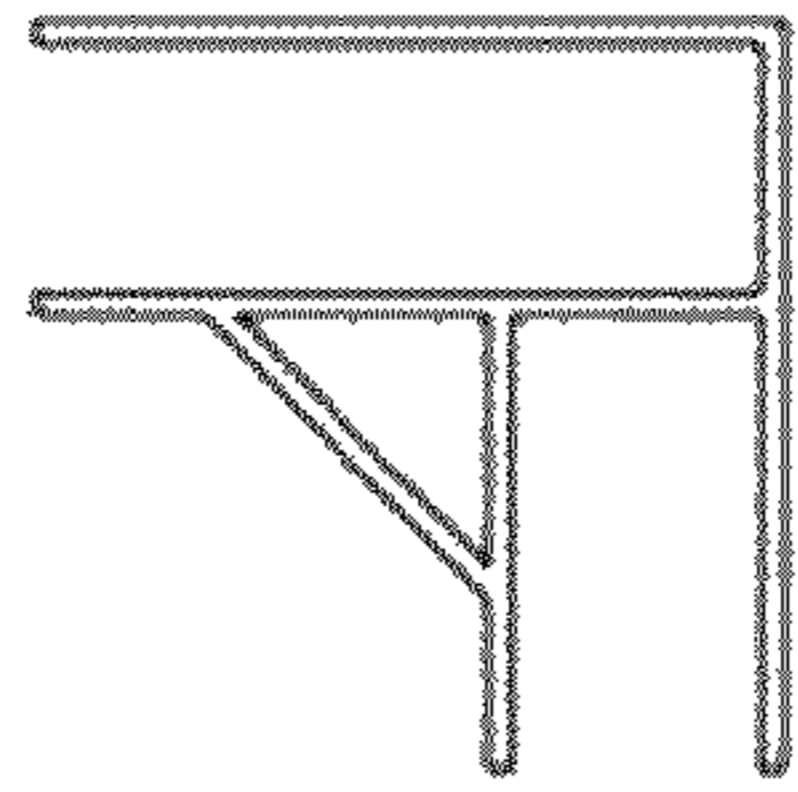


FIG. 2

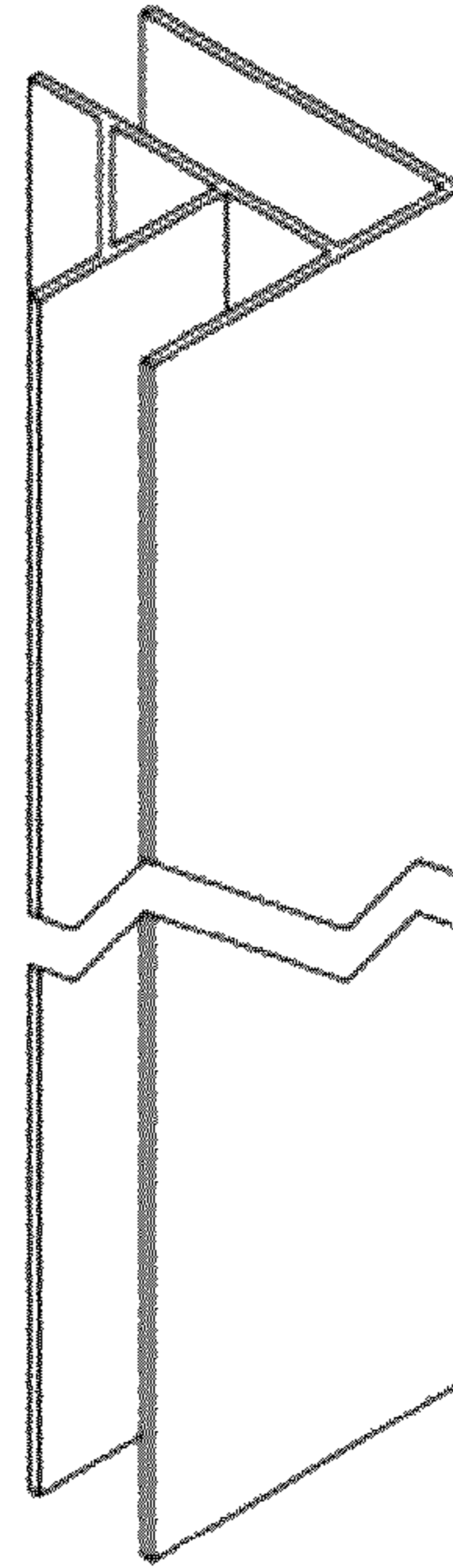


FIG. 1

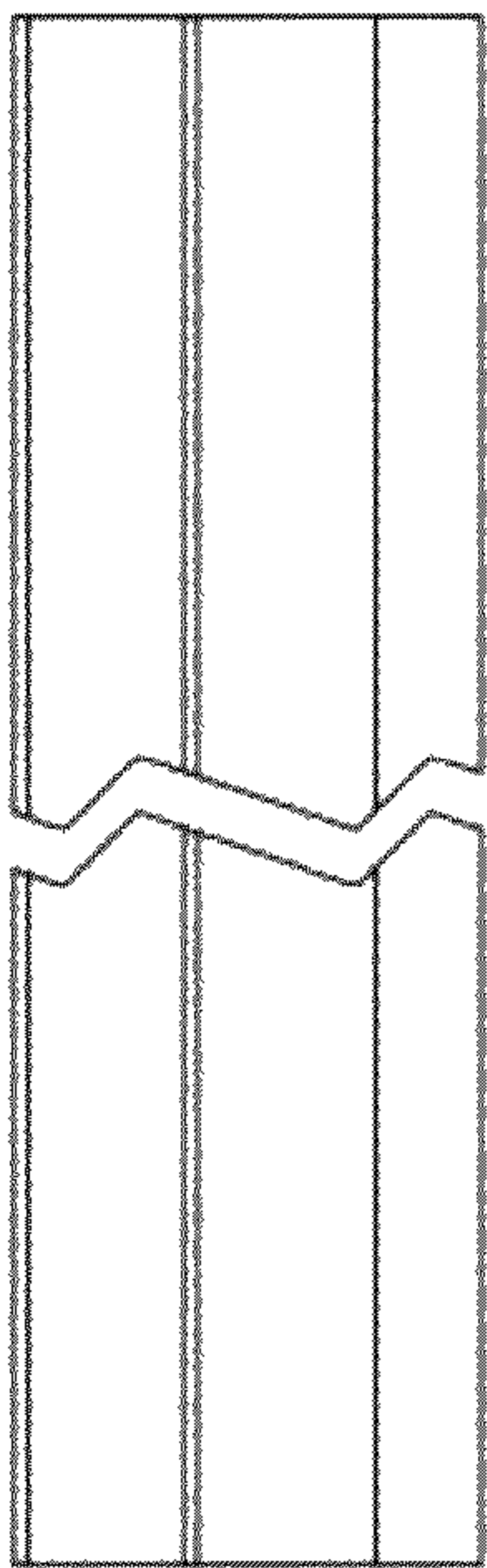


FIG. 3

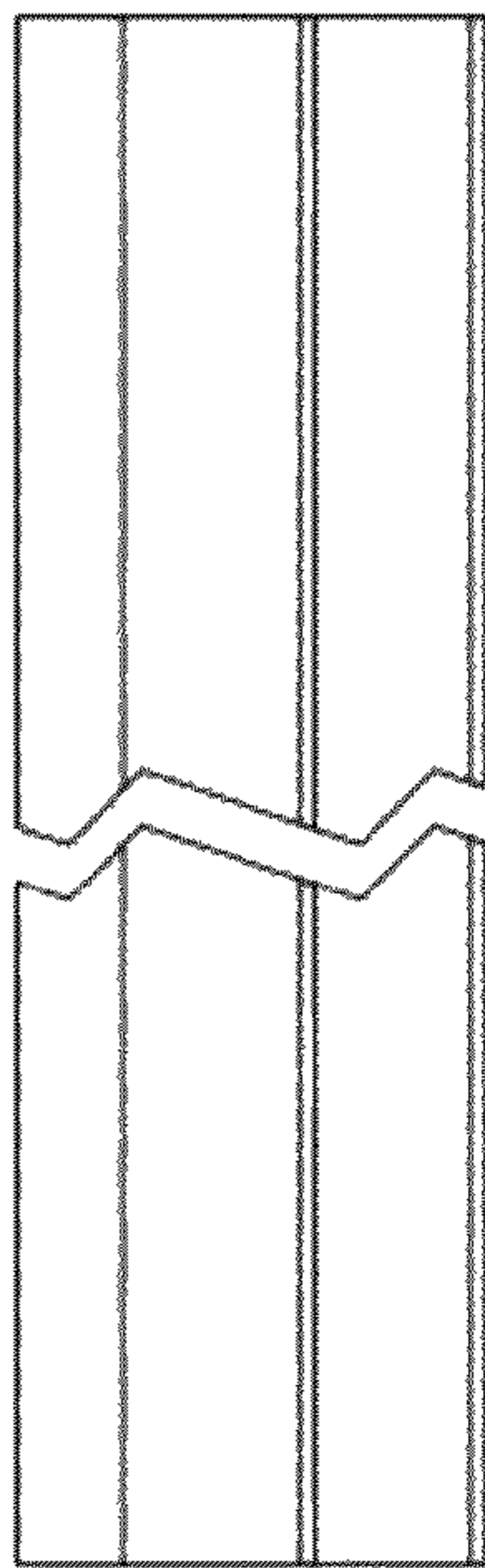


FIG. 4

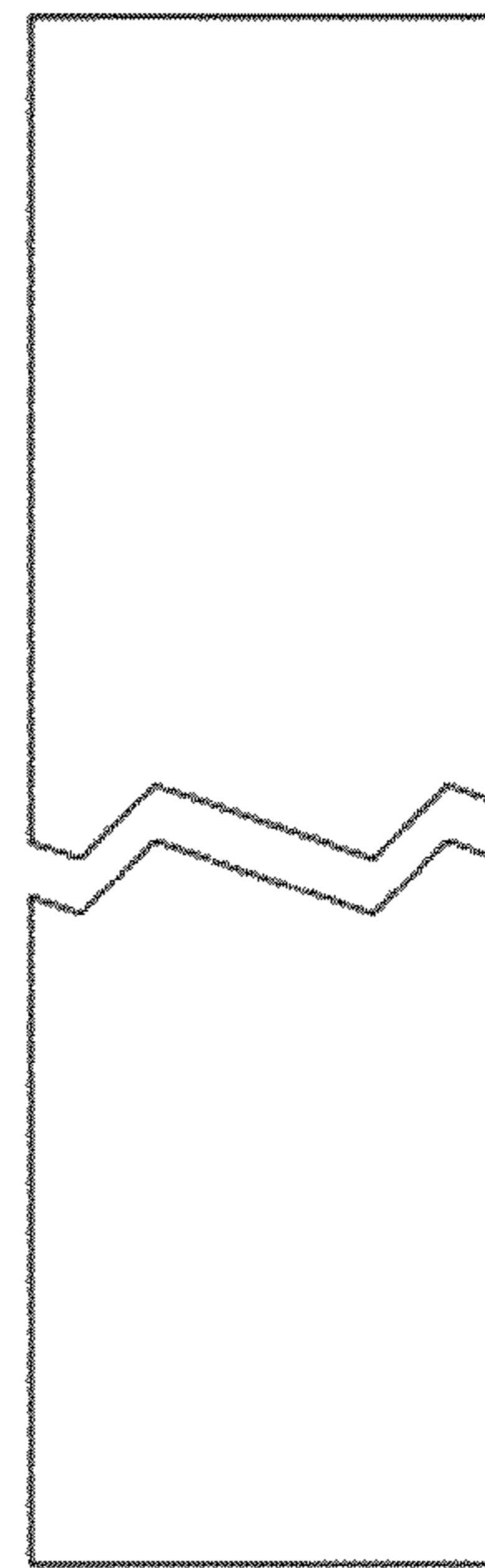


FIG. 5

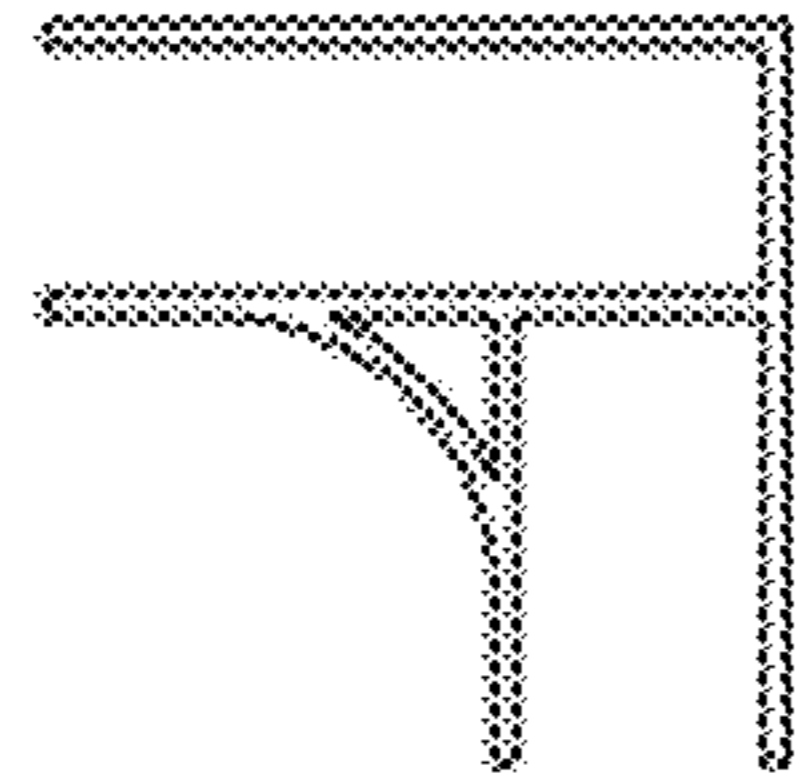


FIG. 7

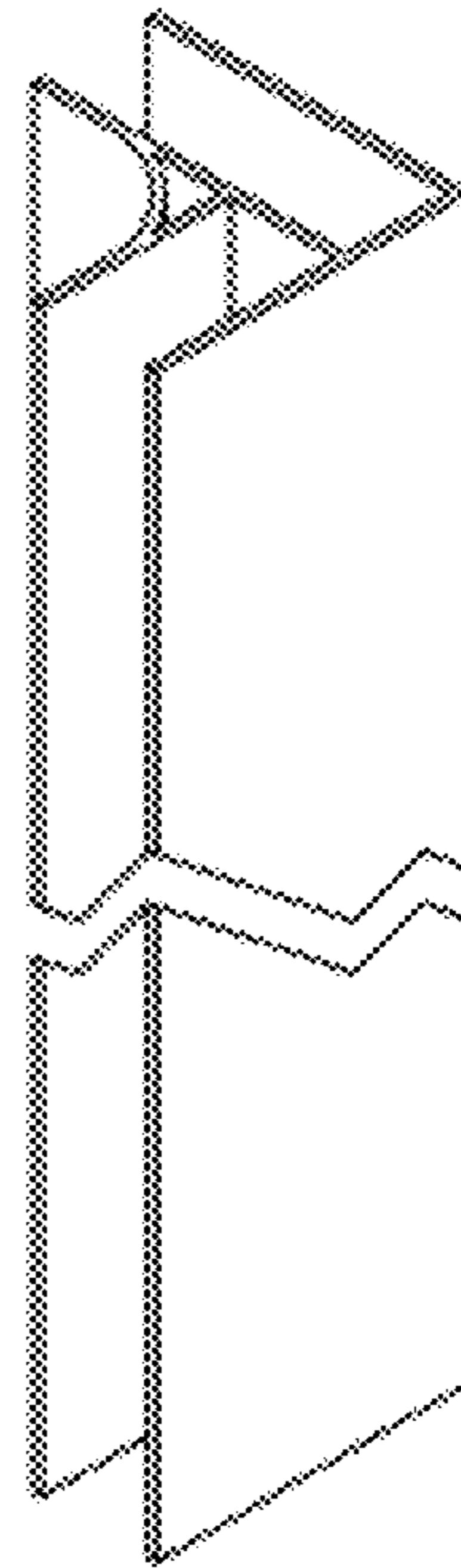


FIG. 6

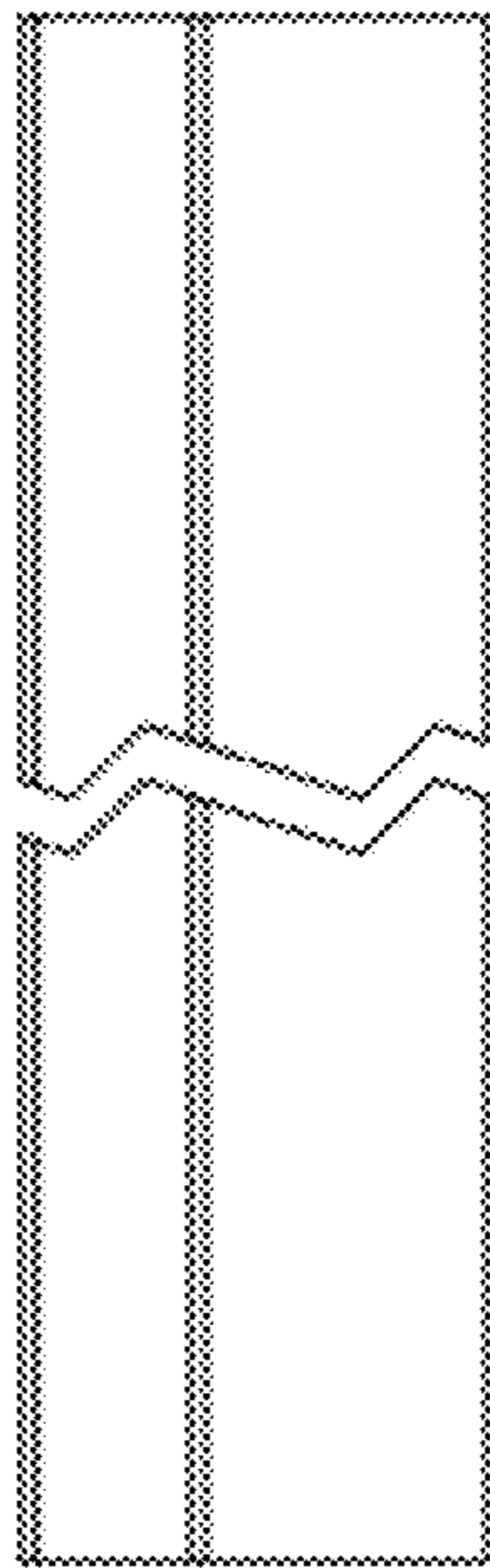


FIG. 8

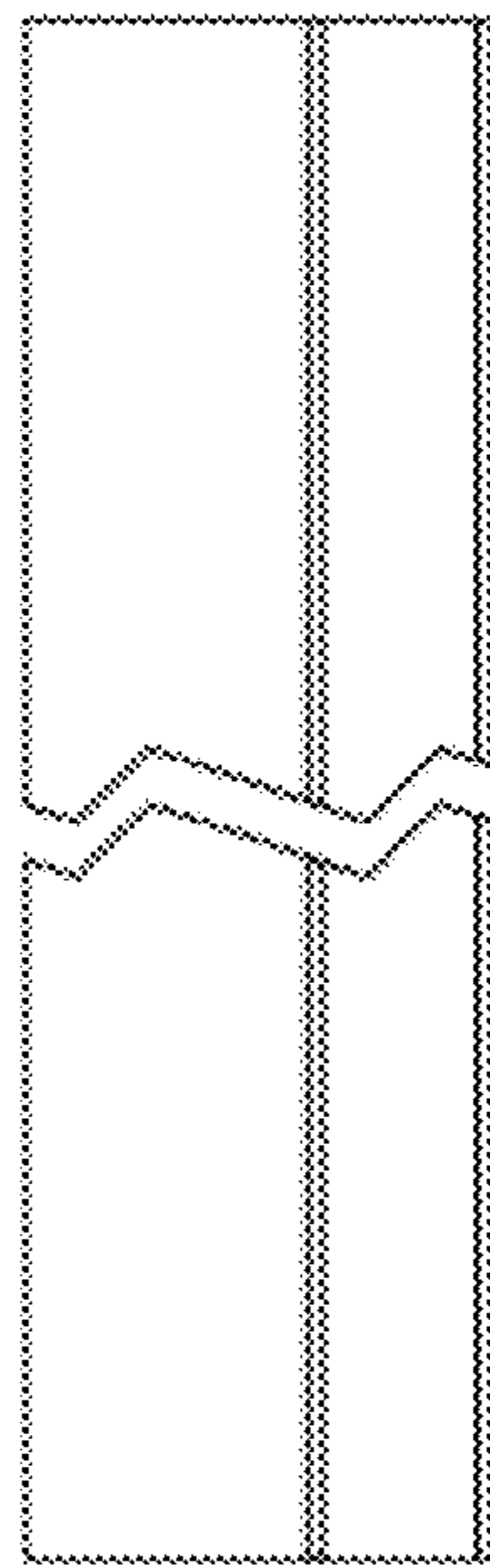


FIG. 9

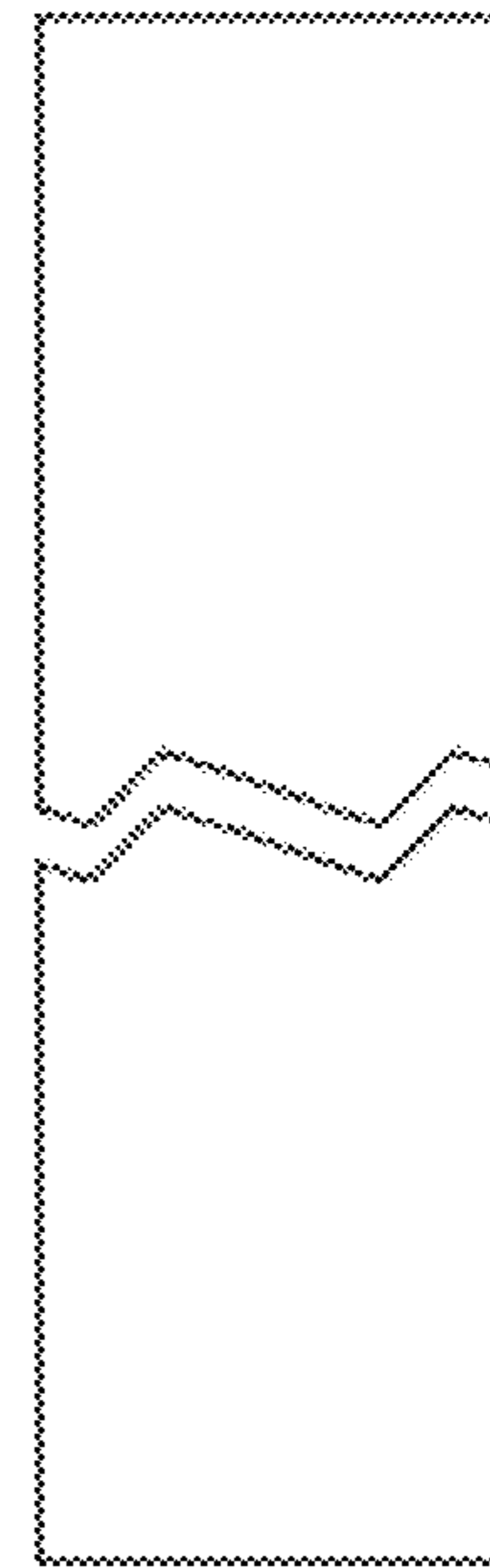


FIG. 10