

US00D661816S

(12) **United States Design Patent**
Young

(10) **Patent No.:** **US D661,816 S**
(45) **Date of Patent:** **** Jun. 12, 2012**

(54) **STAIR TREAD**

(76) Inventor: **Robert H. Young**, Beaver Dam, KY
(US)

(**) Term: **14 Years**

(21) Appl. No.: **29/382,436**

(22) Filed: **Jan. 4, 2011**

Related U.S. Application Data

(63) Continuation of application No. 29/359,298, filed on
Apr. 8, 2010, now abandoned.

(51) **LOC (9) Cl.** **25-04**

(52) **U.S. Cl.** **D25/69**

(58) **Field of Classification Search** D25/69;
52/177, 179, 188, 190

See application file for complete search history.

(56) **References Cited**

U.S. PATENT DOCUMENTS

D22,894 S *	11/1893	Taylor	D5/6
718,821 A	1/1903	Cooper		
D167,994 S *	10/1952	McKay	D25/69
5,357,724 A *	10/1994	Sonoda	52/182
5,475,951 A	12/1995	Litzow		

D389,588 S	1/1998	Dunk
5,787,674 A	8/1998	Nelson
5,806,253 A	9/1998	Nelson
6,073,408 A	6/2000	Winer et al.
6,115,975 A	9/2000	Abdollahi
6,230,454 B1	5/2001	Meagher
6,960,273 B2	11/2005	Jung
2003/0182880 A1	10/2003	Weaber et al.

OTHER PUBLICATIONS

NUSTAIR Stair Refacing System, Ideal Stair Parts, Little Falls, NY,
Apr. 7, 2010.

* cited by examiner

Primary Examiner — Doris Clark

(74) *Attorney, Agent, or Firm* — Berenato & White, LLC

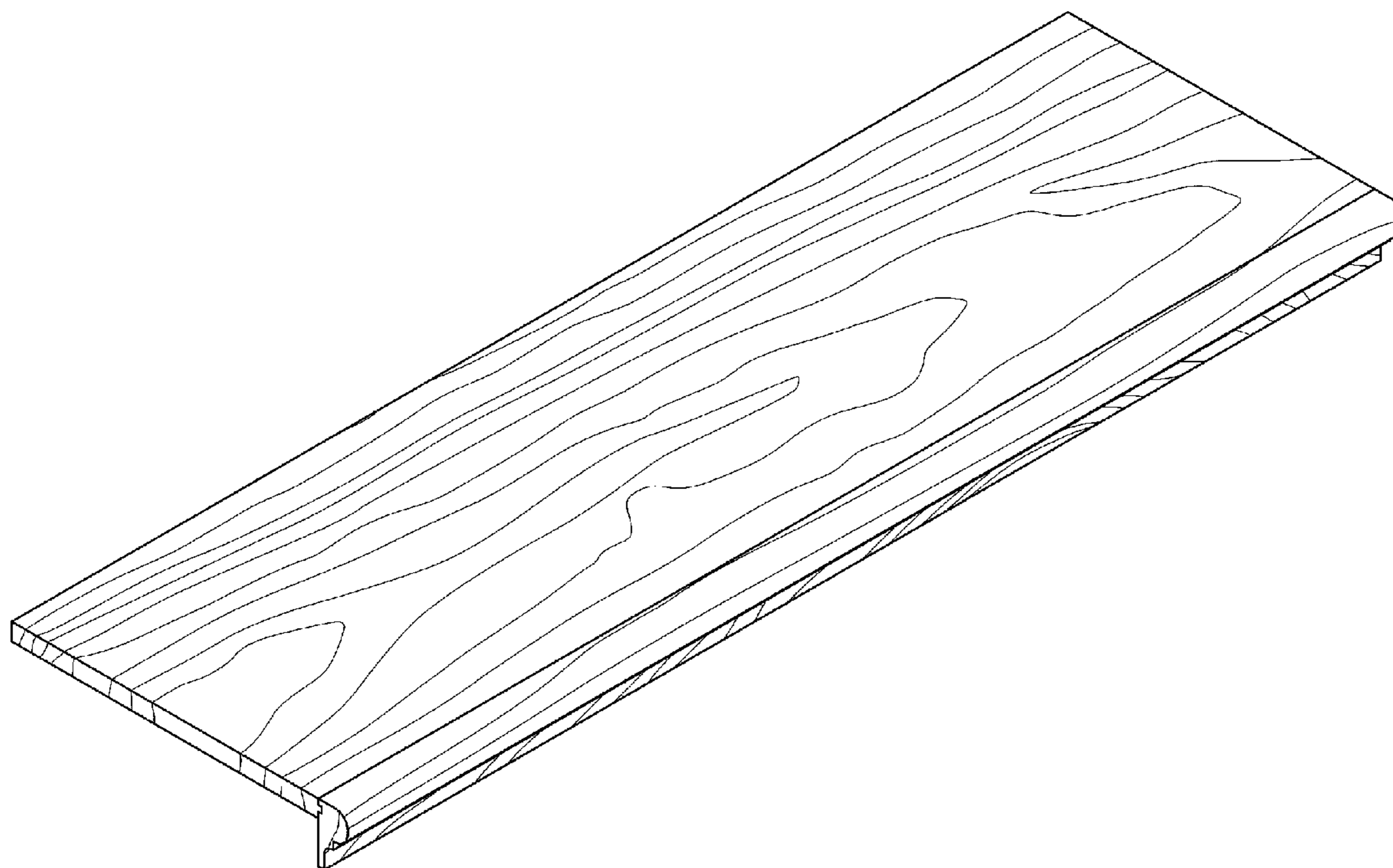
(57) **CLAIM**

The ornamental design for a stair tread, as shown and
described.

DESCRIPTION

FIG. 1 is a front perspective view of my design;
FIG. 2 is a front elevational view;
FIG. 3 is a rear elevational view;
FIG. 4 is a right side elevational view;
FIG. 5 is a left side elevational view;
FIG. 6 is a top plan view; and,
FIG. 7 is a bottom plan.

1 Claim, 5 Drawing Sheets



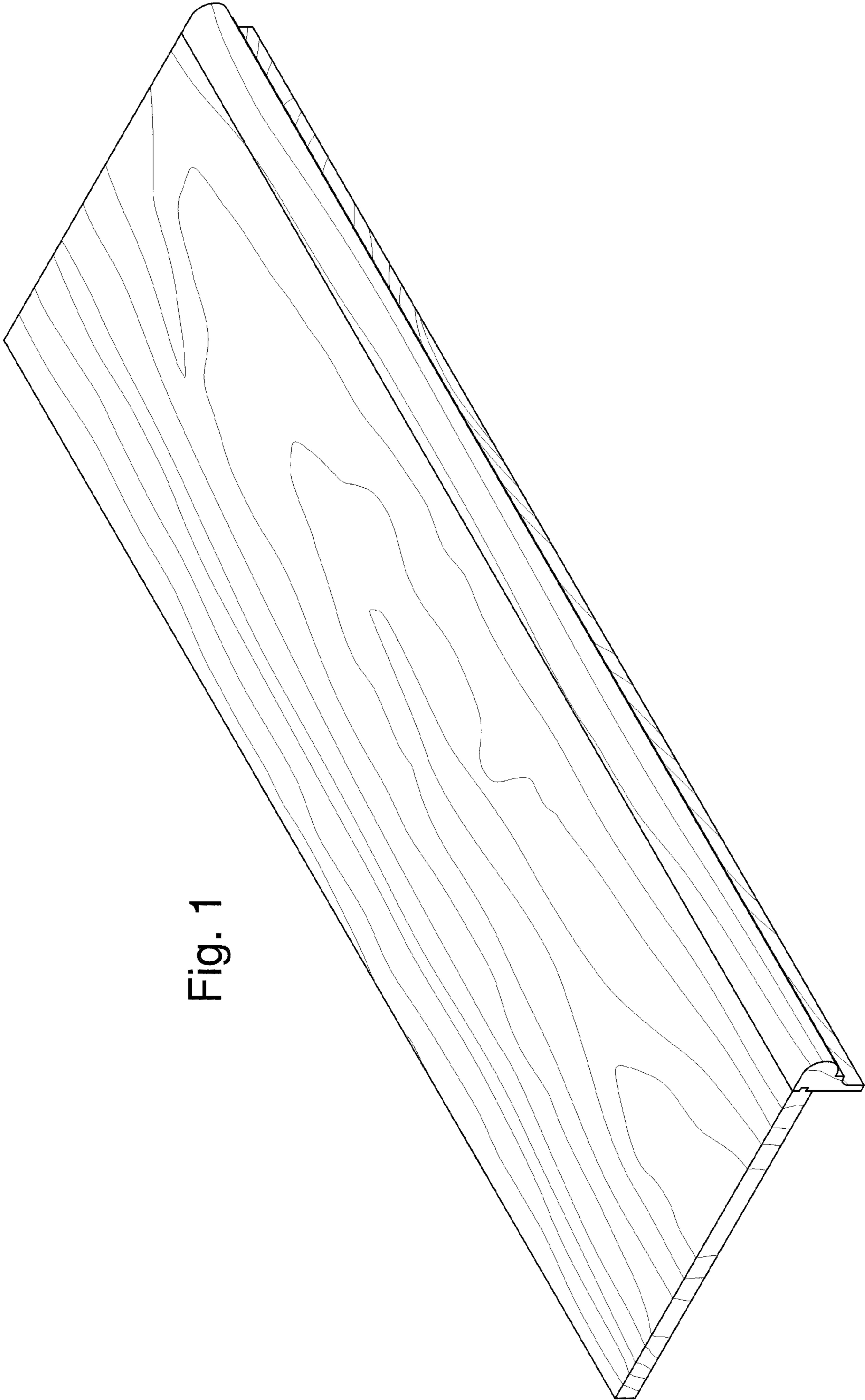


Fig. 1

Fig. 2

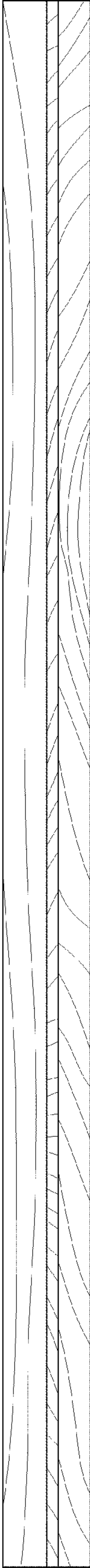


Fig. 3

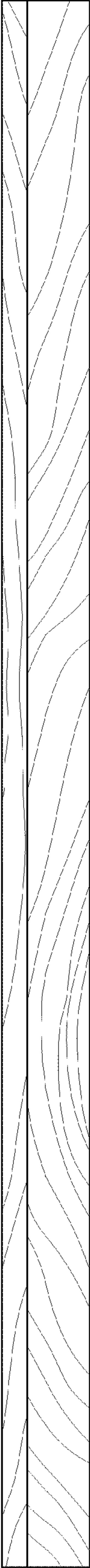


Fig. 4

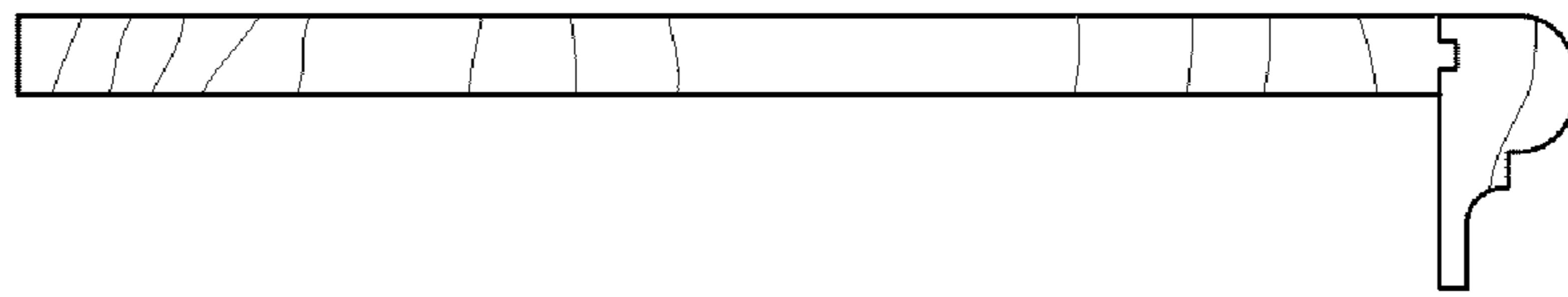


Fig. 5

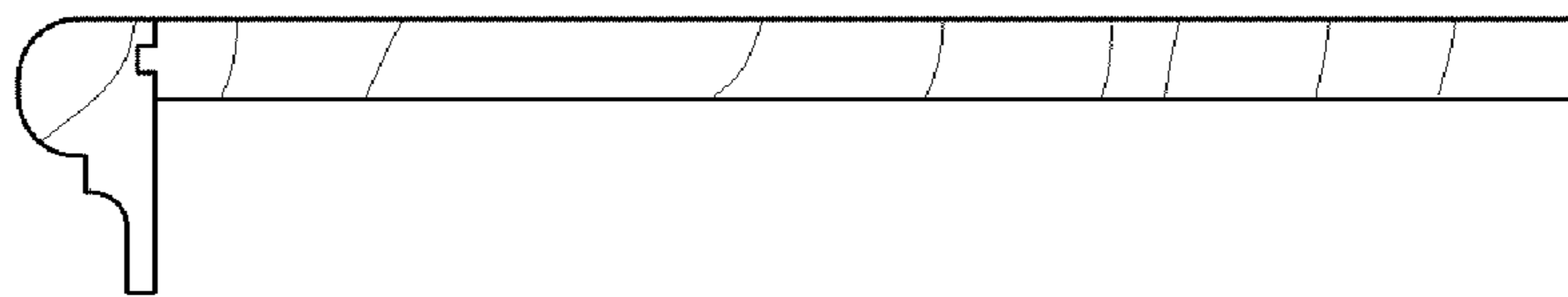


Fig. 6

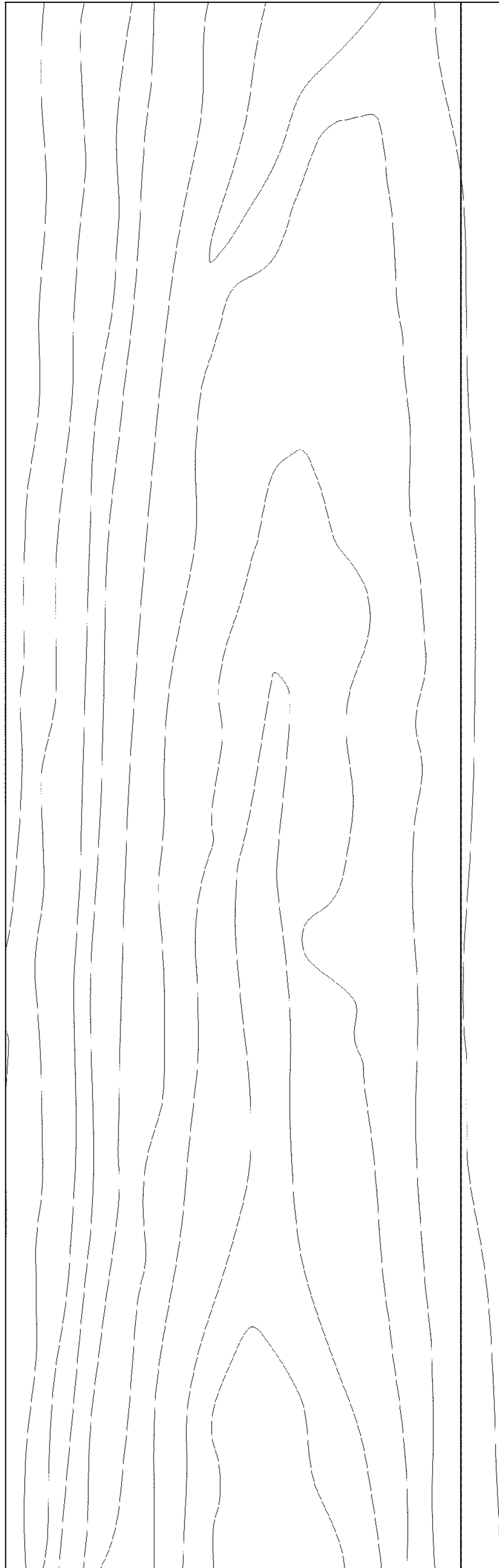


Fig. 7

