

US00D661812S

(12) **United States Design Patent**
Griffin et al.

(10) **Patent No.:** **US D661,812 S**
(45) **Date of Patent:** **** Jun. 12, 2012**

(54) **COMBINED DENTAL APPLIANCE
SANITIZER AND STORAGE DEVICE**

(75) Inventors: **Bradley P. Griffin**, Greenville, NC (US);
Gary Fisher, Kowloon Bay (HK)

(73) Assignee: **Practicon, Inc.**, Greenville, NC (US)

(**) Term: **14 Years**

(21) Appl. No.: **29/388,675**

(22) Filed: **Mar. 31, 2011**

(51) **LOC (9) Cl.** **24-01**

(52) **U.S. Cl.** **D24/217**

(58) **Field of Classification Search** D24/216-232,
D24/186, 107, 108, 121, 176; D3/201, 203.1,
D3/203.2, 202; D10/81; D9/503, 504, 529,
D9/545, 549; 422/500, 547, 554, 556, 1,
422/20-22, 24, 26, 28, 29, 39, 40, 300, 301;
250/455.11; D32/1; D28/73; D23/355,
D23/364

See application file for complete search history.

(56) **References Cited**

U.S. PATENT DOCUMENTS

2,253,250	A *	8/1941	Selig	D24/217
D257,790	S *	1/1981	Kesling	D24/227
4,327,060	A *	4/1982	Nisii	422/300
D287,628	S *	1/1987	Schiavo et al.	D24/217
D372,535	S *	8/1996	DiCianna et al.	D24/176
5,636,379	A	6/1997	Williams		
D413,986	S *	9/1999	Lin	D24/217
6,305,591	B1	10/2001	Jones		
6,417,761	B1	7/2002	Elliott		
D493,578	S	7/2004	Manzo et al.		
D500,895	S	1/2005	Manzo et al.		
D523,994	S	6/2006	Manzo		
7,063,822	B2 *	6/2006	Goertz et al.	422/300
D525,749	S	7/2006	Manzo et al.		
D526,093	S	8/2006	Manzo et al.		
D526,095	S	8/2006	Manzo et al.		
D527,848	S	9/2006	Manzo et al.		

(Continued)

OTHER PUBLICATIONS

Pending U.S. Appl. No. 13/175,262, Practicon, Inc.

(Continued)

Primary Examiner — Anhdao Doan

(74) *Attorney, Agent, or Firm* — K&L Gates LLP

(57) **CLAIM**

The ornamental design for a combined dental appliance sanitizer and storage device, as shown and described.

DESCRIPTION

FIG. 1 is a perspective view of our new combined dental appliance sanitizer and storage device.

FIG. 2 is a front elevation of the combined dental appliance sanitizer and storage device shown in FIG. 1.

FIG. 3 is a rear elevation of the combined dental appliance sanitizer and storage device shown in FIG. 1.

FIG. 4 is a right side elevation of the combined dental appliance sanitizer and storage device shown in FIG. 1.

FIG. 5 is a left side elevation of the combined dental appliance sanitizer and storage device shown in FIG. 1.

FIG. 6 is a top plan view of the combined dental appliance sanitizer and storage device shown in FIG. 1.

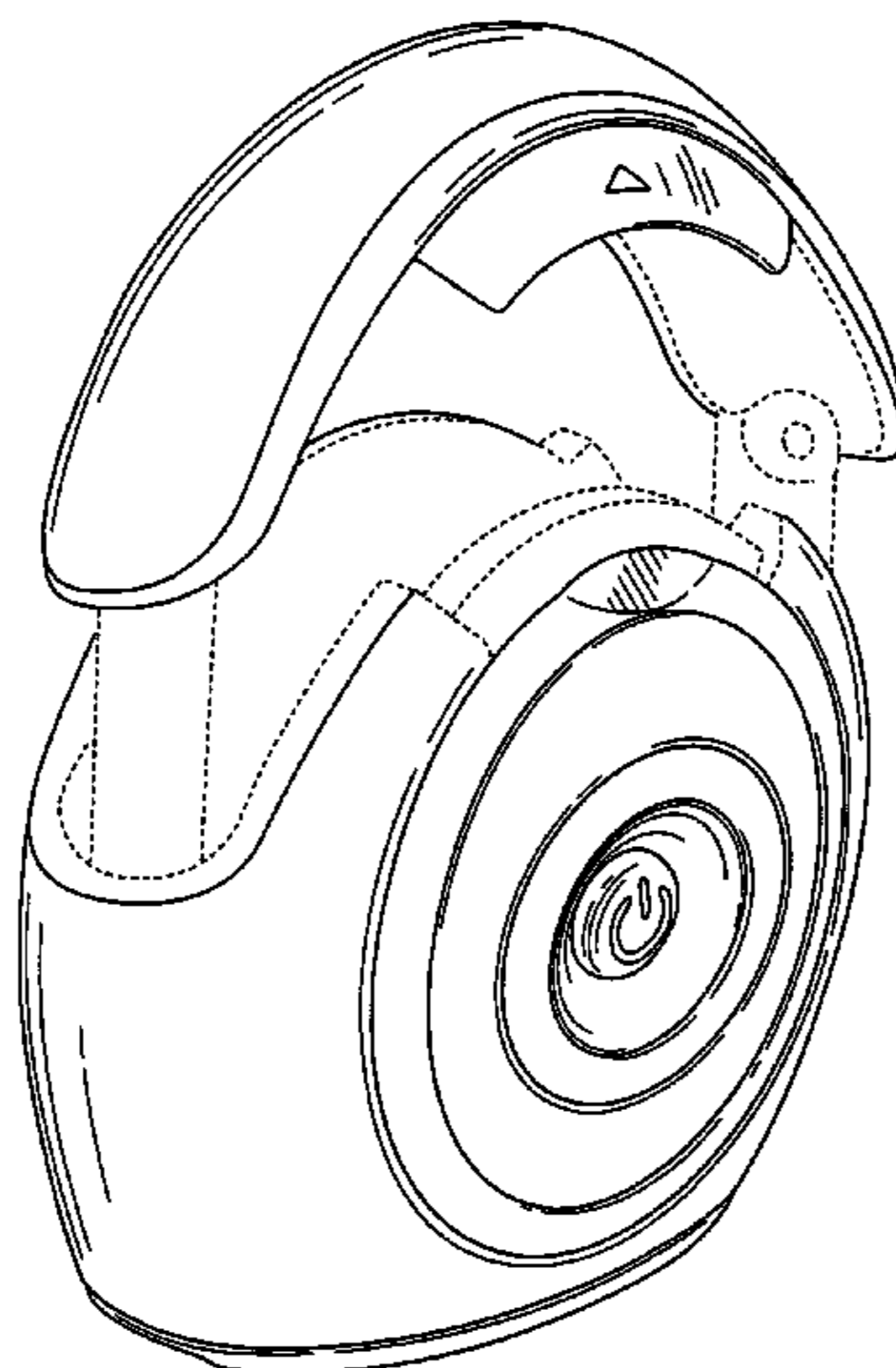
FIG. 7 is a bottom plan view of the combined dental appliance sanitizer and storage device shown in FIG. 1.

FIG. 8 is a perspective view of the combined dental appliance sanitizer and storage device shown in FIG. 1 with the lid open and upright; and,

FIG. 9 is a perspective view of the combined dental appliance sanitizer and storage device shown in FIG. 1 with the lid open and pivoted toward the front.

The broken lines in the drawing views are included for the purpose of illustrating portions of the combined dental appliance sanitizer and storage device that form no part of the claimed design.

1 Claim, 9 Drawing Sheets



US D661,812 S

Page 2

U.S. PATENT DOCUMENTS

D530,863 S 10/2006 Manzo et al.
D532,559 S 11/2006 Manzo et al.
D537,986 S 3/2007 Manzo et al.
D537,987 S 3/2007 Manzo et al.
D548,403 S 8/2007 Manzo et al.
D563,561 S * 3/2008 Faust et al. D24/229
D584,417 S * 1/2009 Massee D24/217
2008/0131330 A1 * 6/2008 Lyon et al. 422/186.3
2008/0219883 A1 * 9/2008 Thur et al. 422/22
2009/0010826 A1 * 1/2009 Shin 422/300
2010/0143188 A1 * 6/2010 Roiniotis 422/24

OTHER PUBLICATIONS

Website: www.violight.com—Dental Spa—copyright 2007 Violight,
Inc.

Website—BNH International, Inc.—Mar. 24, 2006 UV Denta.

Website: www.brainpads.com—Feb. 4, 2009.

* cited by examiner

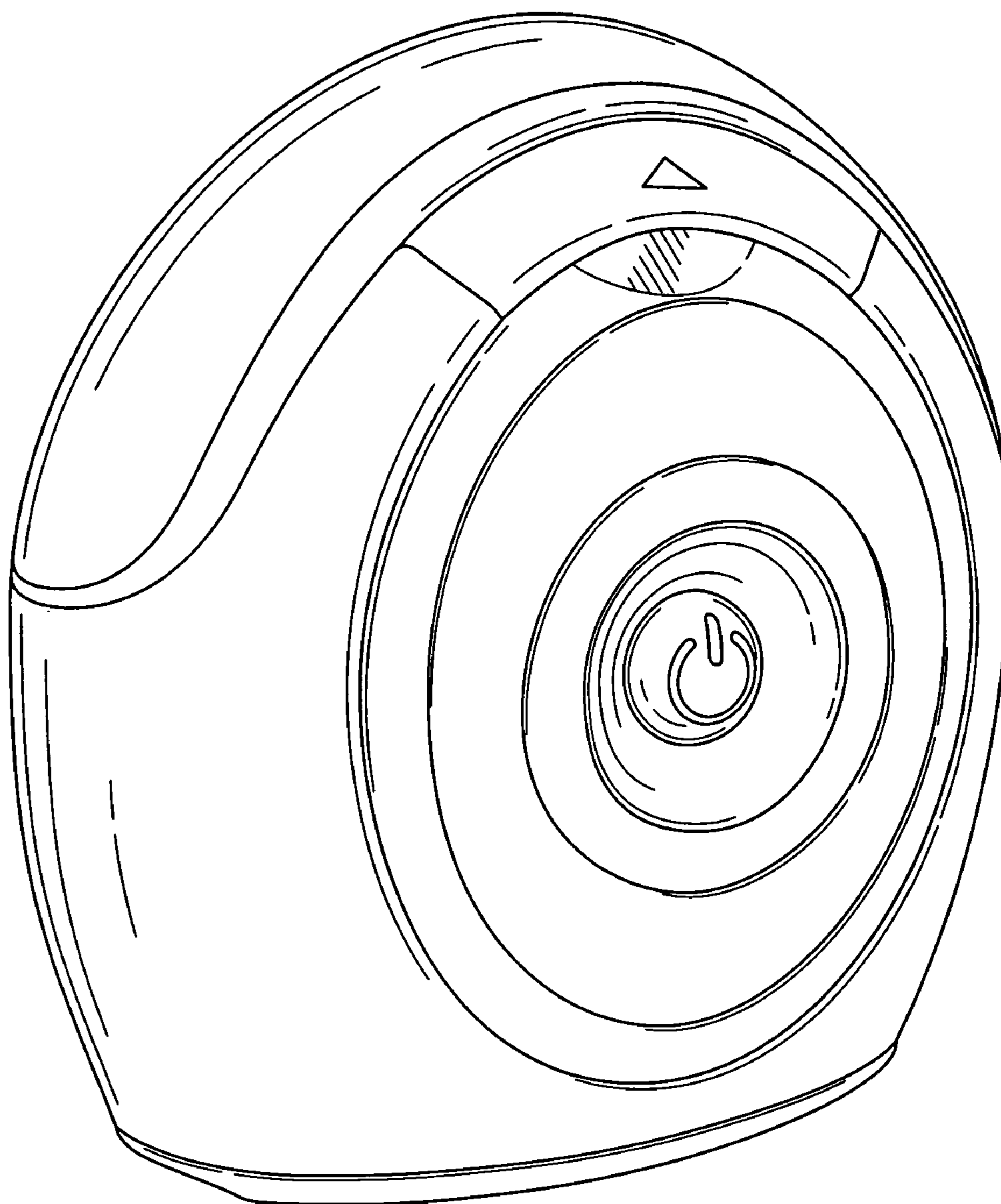


FIG. 1

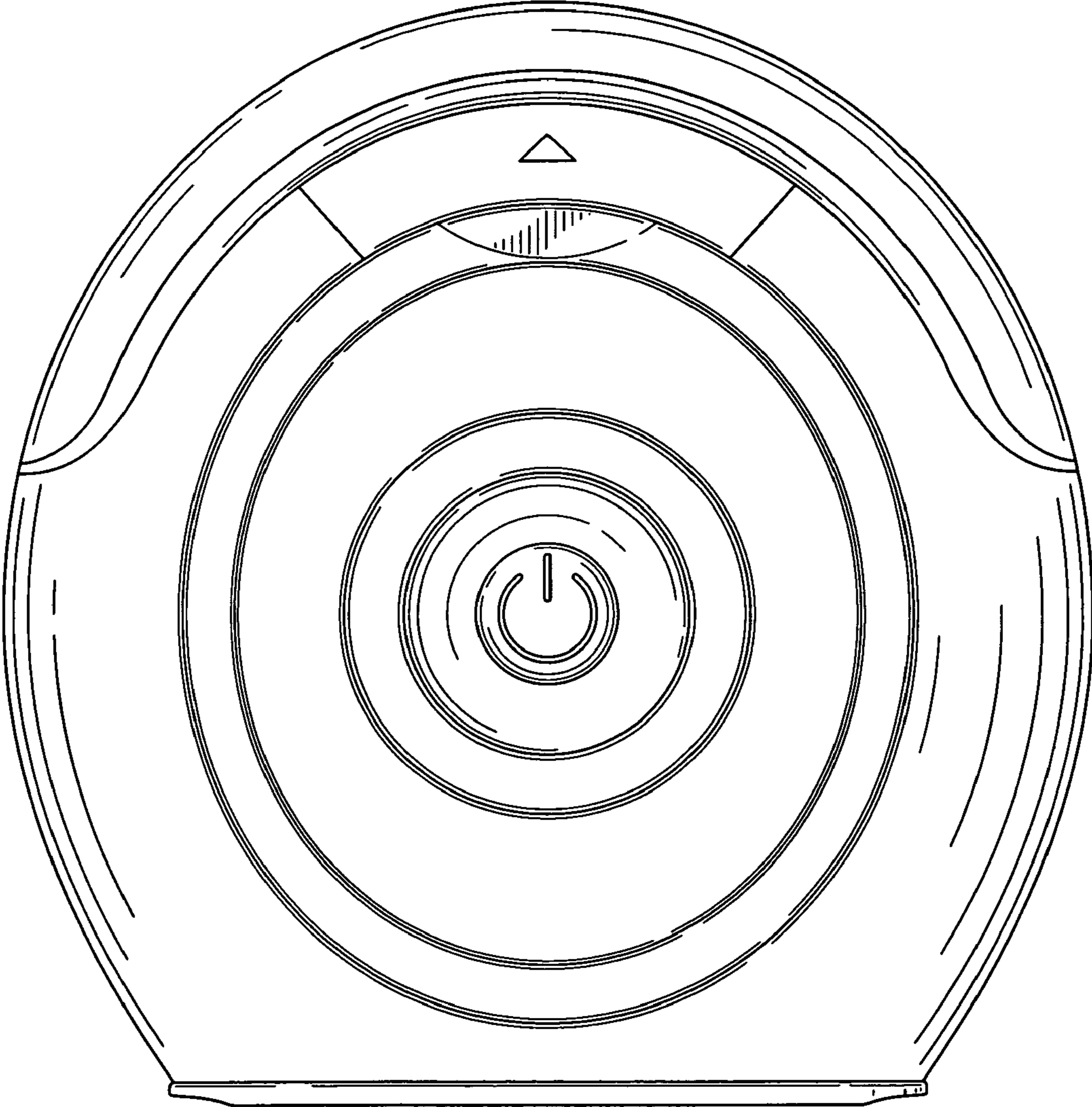


FIG. 2

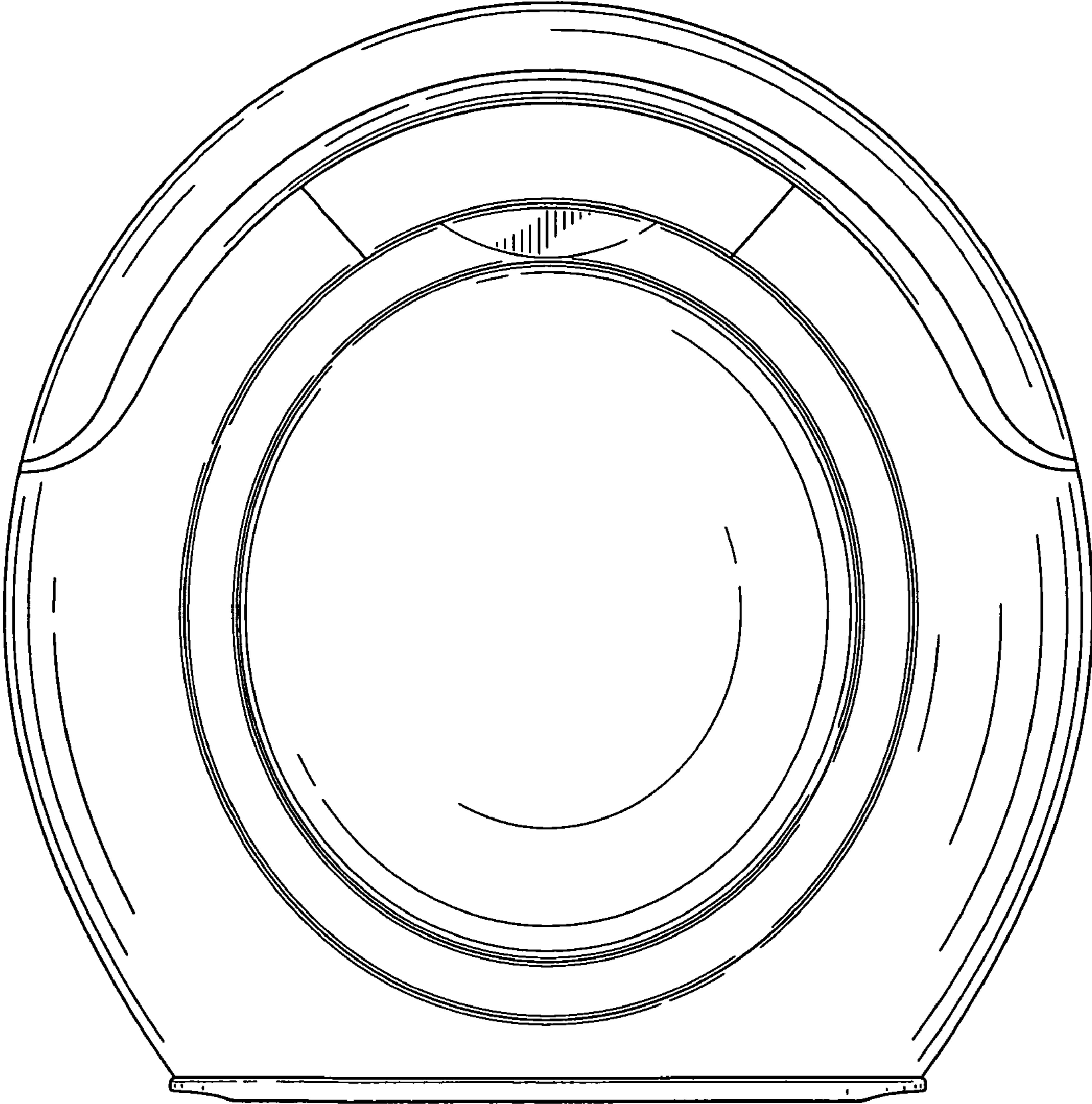


FIG. 3

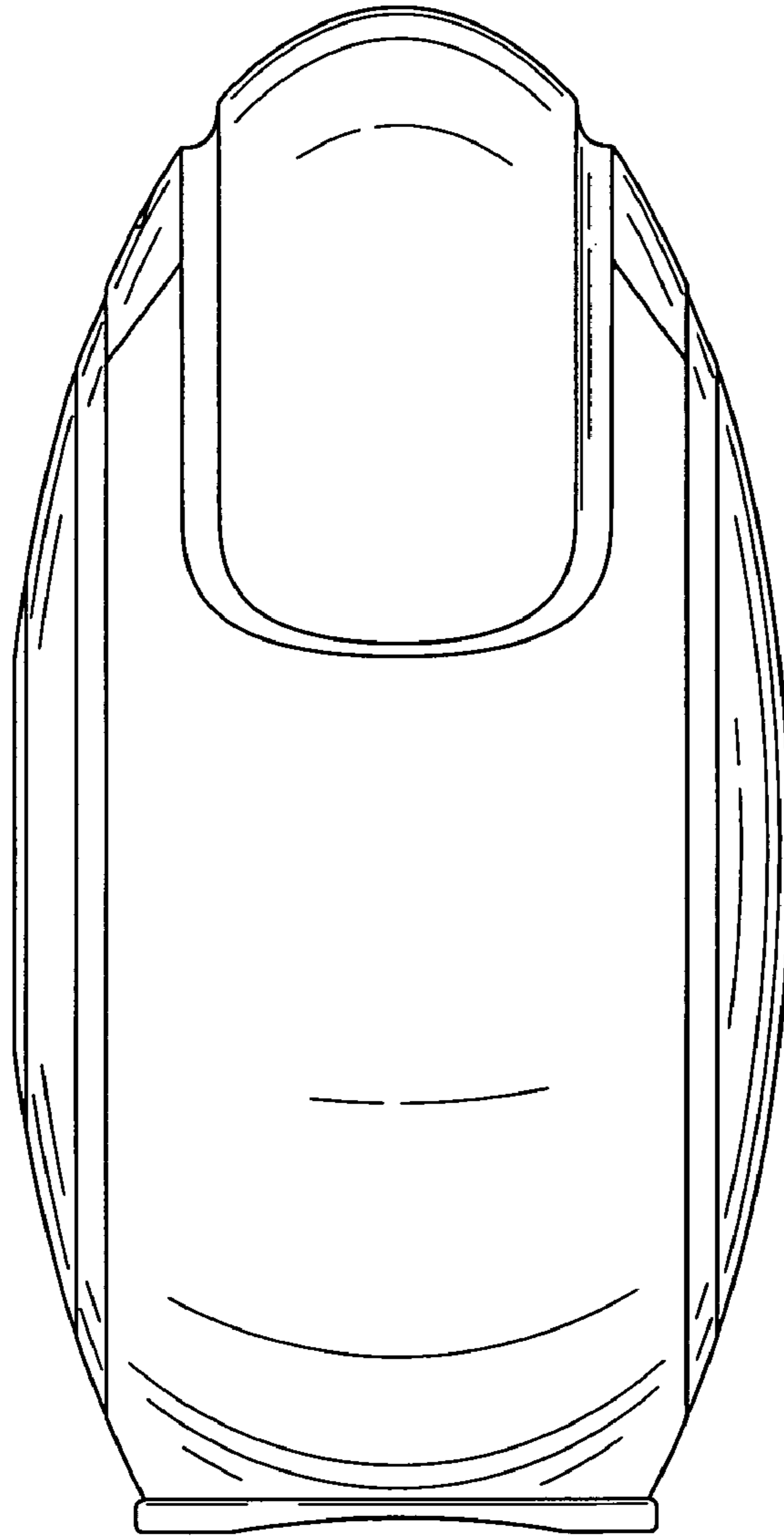


FIG. 4

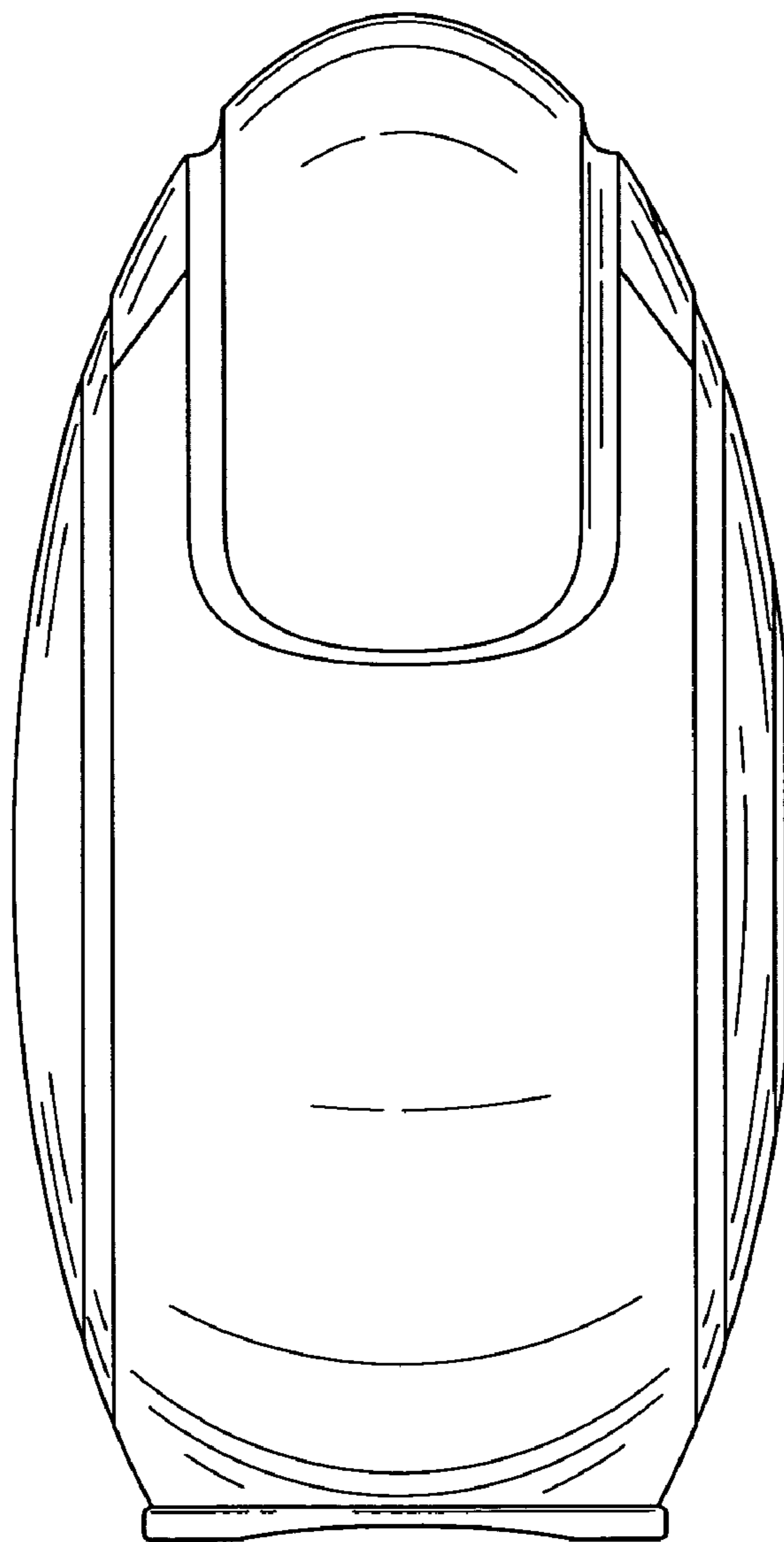


FIG. 5

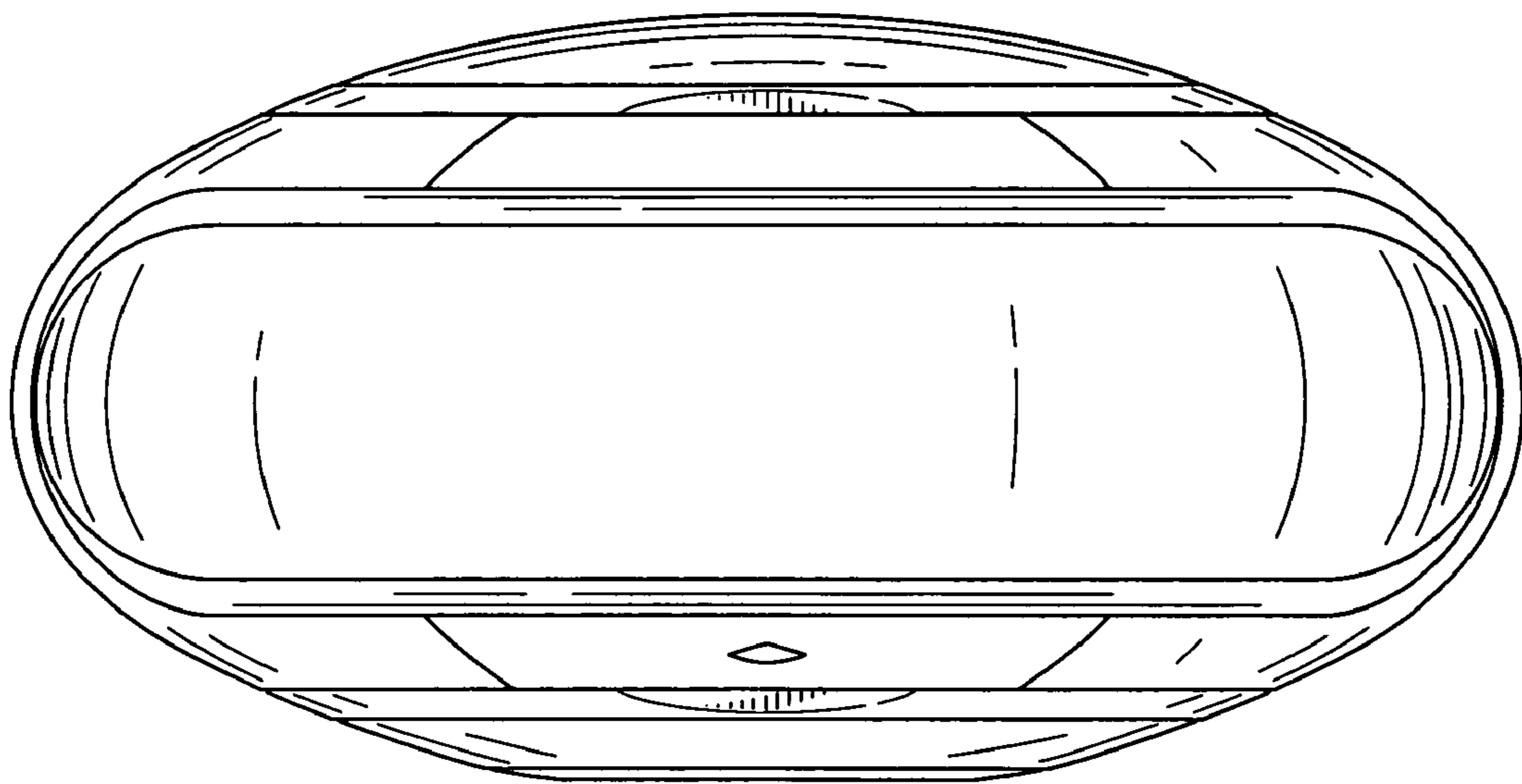


FIG. 6

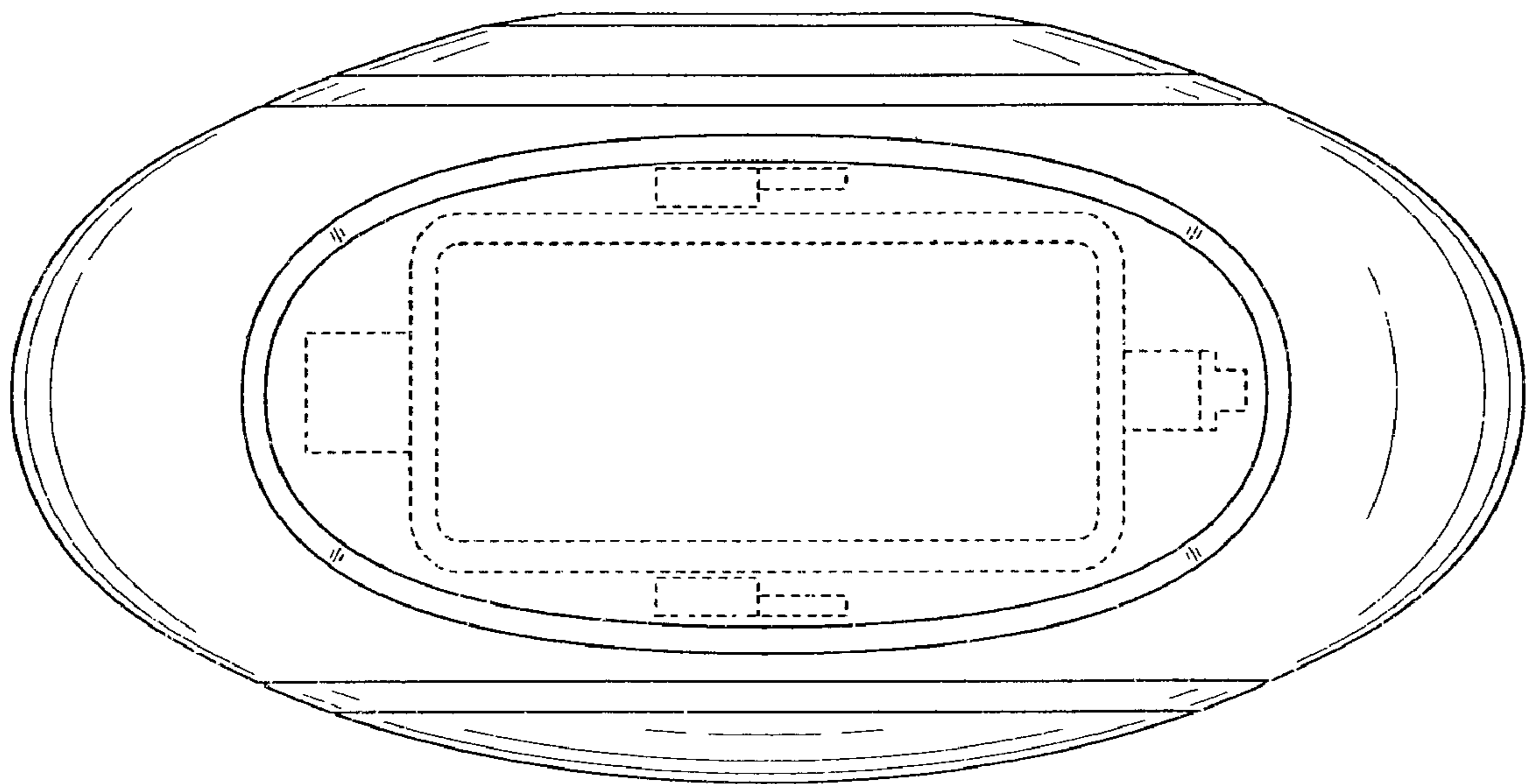


FIG. 7

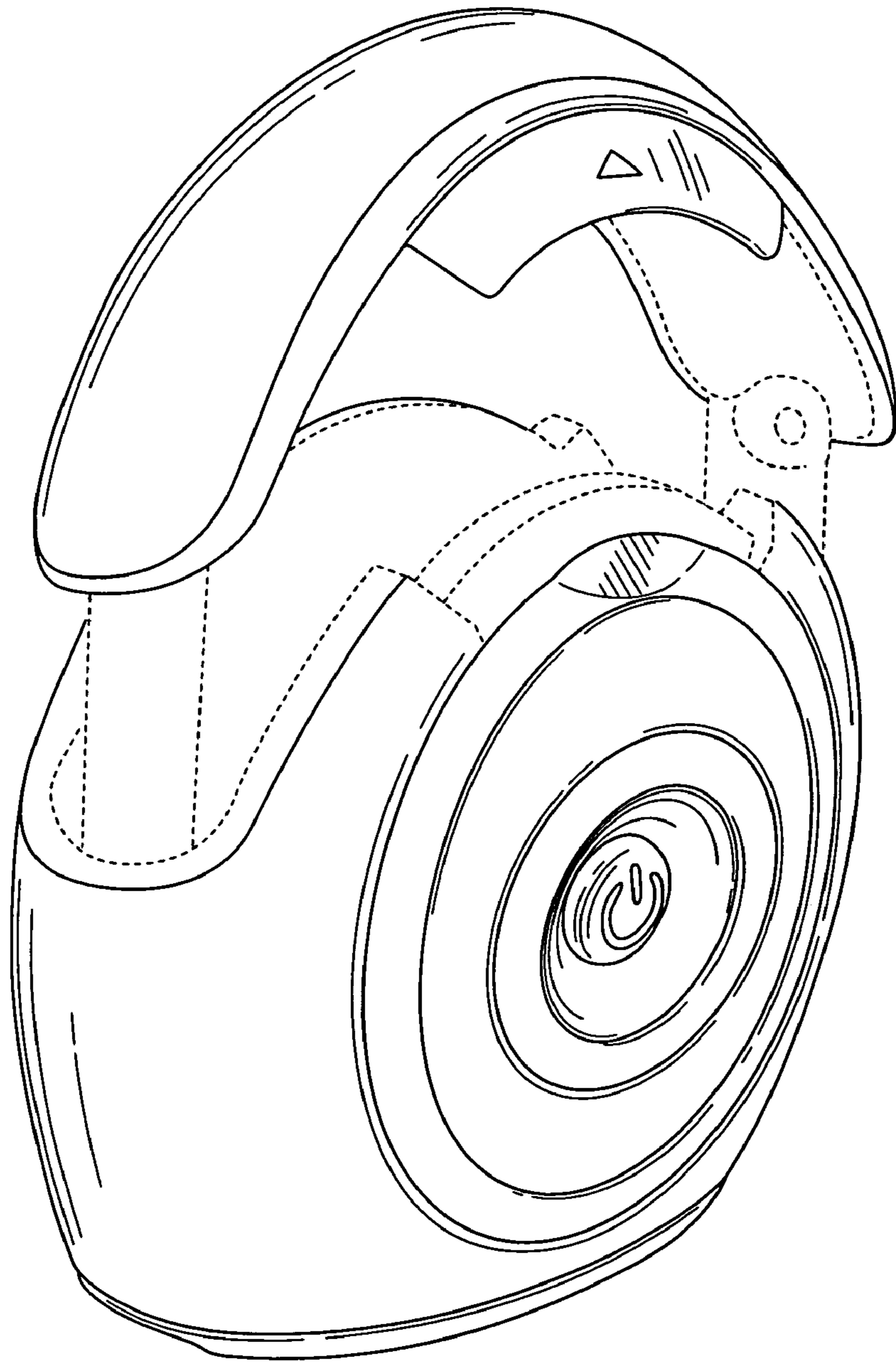


FIG. 8

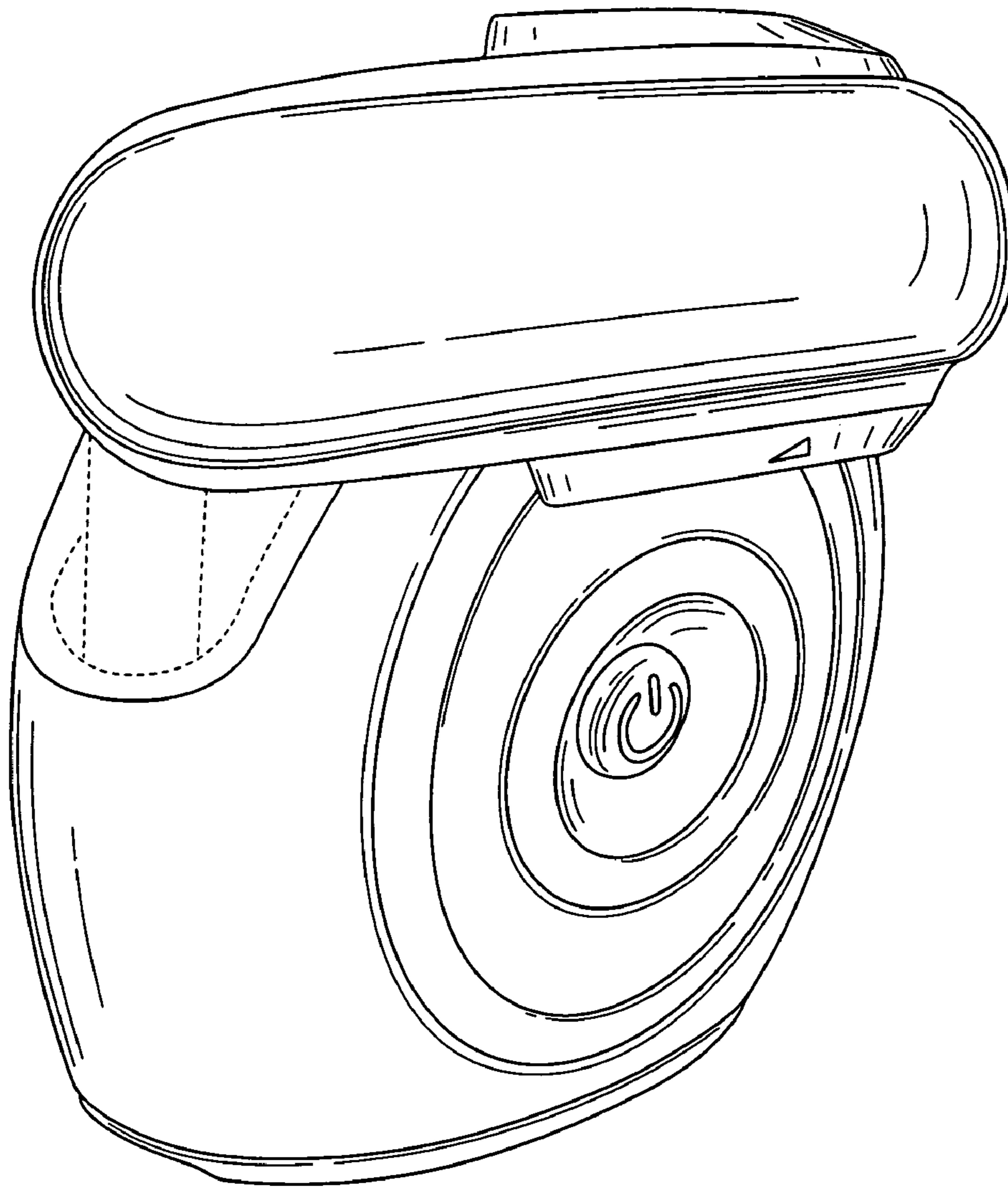


FIG. 9