

US00D661811S

(12) **United States Design Patent**  
**Ferguson et al.**

(10) **Patent No.:** **US D661,811 S**  
(45) **Date of Patent:** **\*\* Jun. 12, 2012**

(54) **HEAD FOR A GALVANIC SKIN TREATMENT DEVICE**

(75) Inventors: **Scott B. Ferguson**, Highland, UT (US);  
**Dale G. Kern**, Hyde Park, UT (US);  
**James N. Doyle, Jr.**, Fort Myers, FL (US);  
**Bruno Gimelli**, Zollikofen (CH)

(73) Assignee: **NSE Products, Inc.**, Provo, UT (US)

(\*\*) Term: **14 Years**

(21) Appl. No.: **29/351,904**

(22) Filed: **Dec. 14, 2009**

(51) **LOC (9) Cl.** ..... **28-03**

(52) **U.S. Cl.** ..... **D24/200**

(58) **Field of Classification Search** ..... D24/200,  
D24/133, 144, 170, 185, 186, 215; 606/2,  
606/32, 89; 607/2, 96, 98, 99, 115, 145,  
607/148; 601/1, 15-22

See application file for complete search history.

6,743,215 B2	6/2004	Bernabei	
6,766,199 B2	7/2004	Cook et al.	
D496,731 S *	9/2004	Park .....	D24/133
7,194,316 B2	3/2007	Bousfield et al.	
D539,916 S *	4/2007	Baldachini .....	D24/215
7,305,269 B2	12/2007	Cook et al.	
D567,387 S *	4/2008	Nan .....	D24/215
7,383,083 B2	6/2008	Fischer et al.	
7,386,347 B2 *	6/2008	Chung et al. ....	607/148
7,395,110 B2	7/2008	Hofmann et al.	
7,415,306 B2	8/2008	Levin et al.	
D636,886 S *	4/2011	Lopez .....	D24/200
2002/0193831 A1	12/2002	Smith	
2004/0220456 A1	11/2004	Eppstein	
2004/0265395 A1	12/2004	Sun et al.	
2005/0064528 A1	3/2005	Kwon et al.	
2005/0197618 A1	9/2005	Plummer et al.	

\* cited by examiner

*Primary Examiner* — David Muller

(74) *Attorney, Agent, or Firm* — Dorsey & Whitney LLP

(57) **CLAIM**

The ornamental design for a head for a galvanic skin treatment device, as shown and described.

**DESCRIPTION**

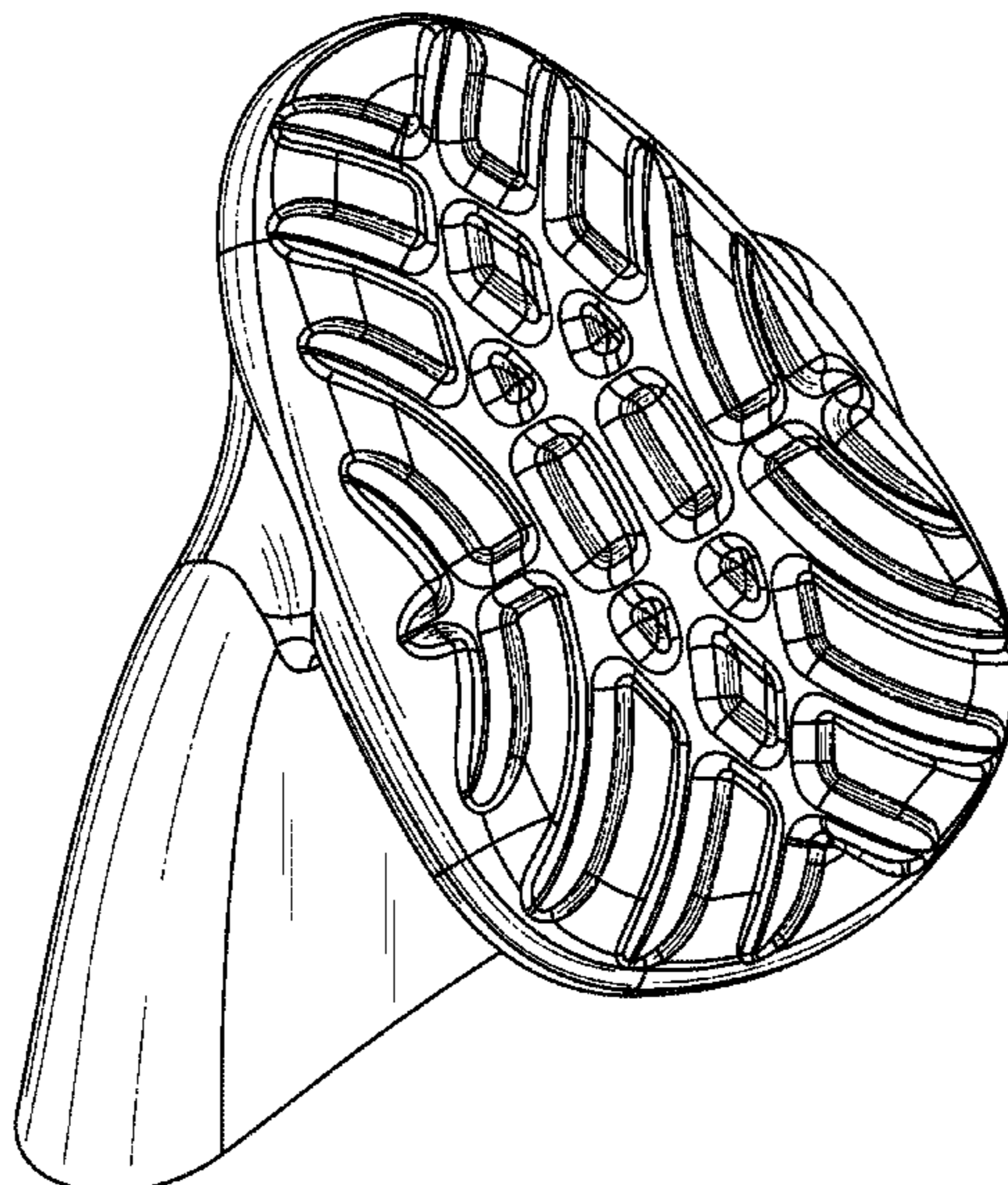
FIG. 1 is a front view of a head for a galvanic skin treatment device showing our new design; FIG. 2 is a right side view thereof; FIG. 3 is a top view thereof; FIG. 4 is a rear view thereof; FIG. 5 is a perspective view thereof from the rear and right; FIG. 6 is a perspective view thereof from the front and left; and, FIG. 7 is a bottom view thereof. The dash dot line immediately adjacent to the claimed bottom edge in FIG. 7 represents the boundary of the claimed design. The dashed lines in the figures illustrate the portions of the design that form no part of the claimed design. None of the broken lines form any part of the claimed design.

**1 Claim, 7 Drawing Sheets**

(56) **References Cited**

**U.S. PATENT DOCUMENTS**

4,907,601 A	3/1990	Frick	
D342,319 S *	12/1993	Cheng .....	D24/200
D344,137 S *	2/1994	Yoo .....	D24/200
D357,322 S *	4/1995	Matthews .....	D24/200
5,514,167 A	5/1996	Smith et al.	
5,667,487 A	9/1997	Henley	
D385,351 S *	10/1997	Manzie et al. ....	D24/144
6,119,038 A	9/2000	Cook	
6,266,560 B1	7/2001	Zhang et al.	
6,347,246 B1	2/2002	Perrault et al.	
D460,554 S *	7/2002	Park .....	D24/133
6,424,862 B1	7/2002	Brown, III et al.	
D479,336 S *	9/2003	La Bianco et al. ....	D24/215
D481,463 S	10/2003	Cook et al.	
D484,605 S	12/2003	Cook et al.	
D486,233 S *	2/2004	Cook et al. ....	D24/200
D487,154 S *	2/2004	Cook et al. ....	D24/200



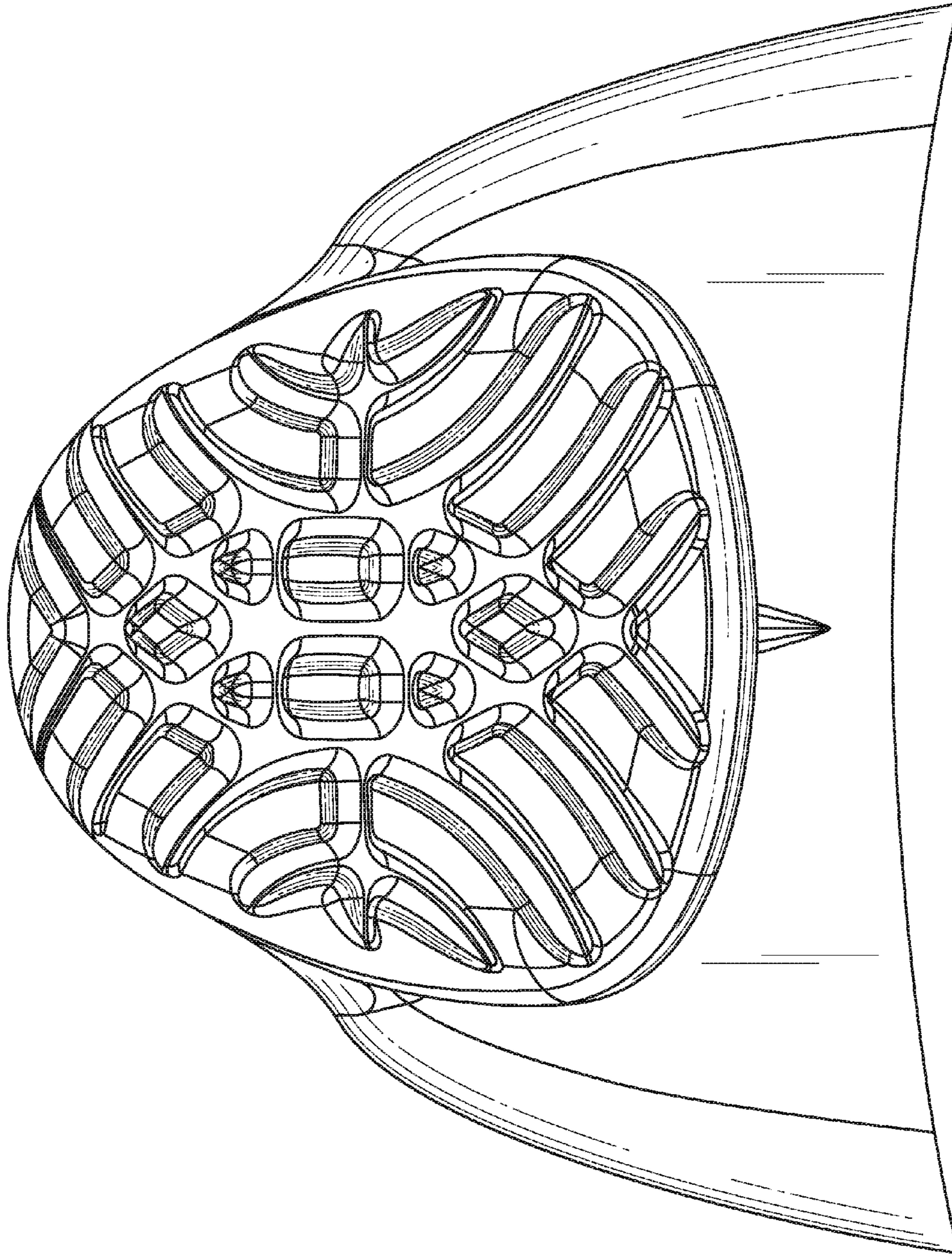


Fig. 1



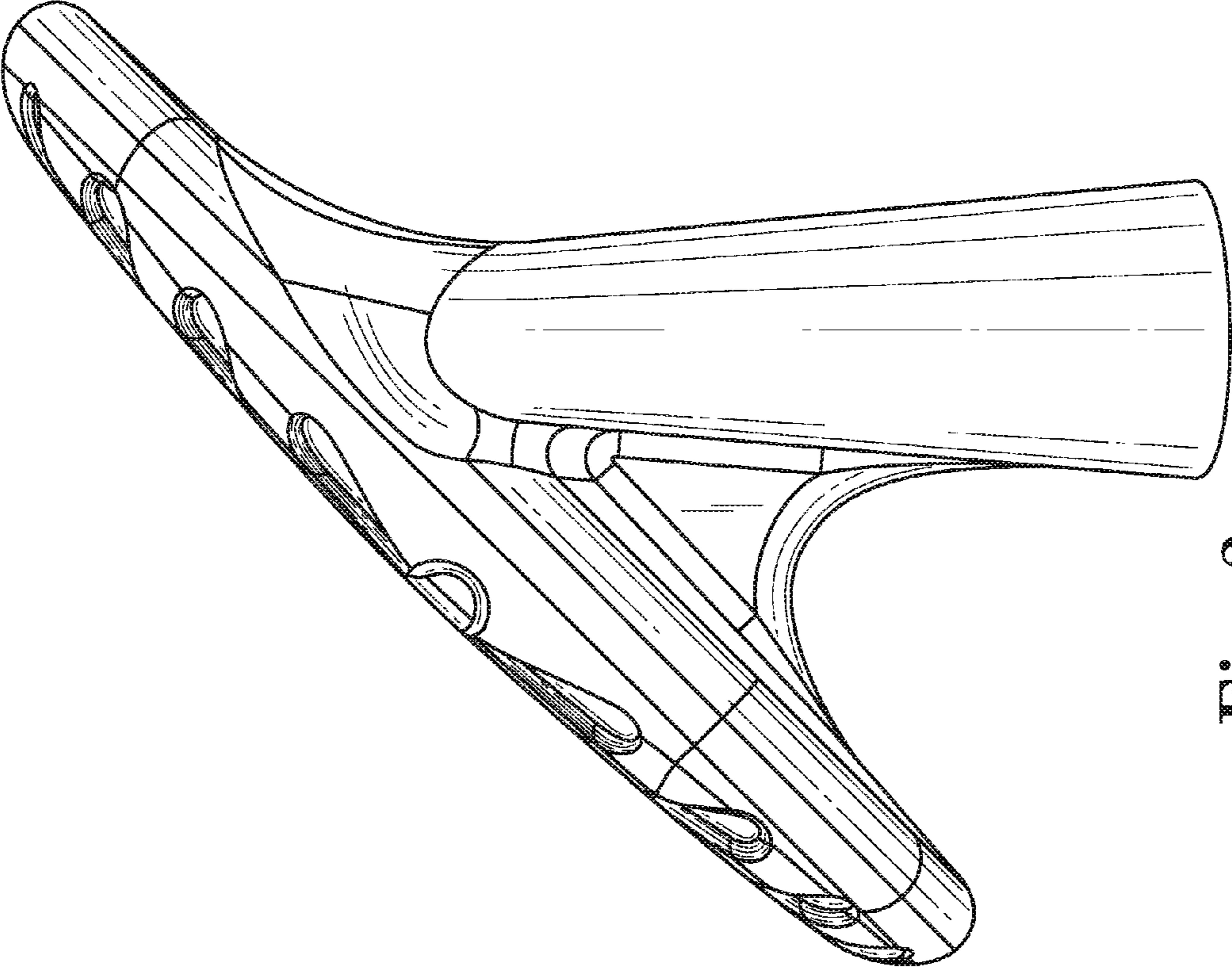


Fig. 2

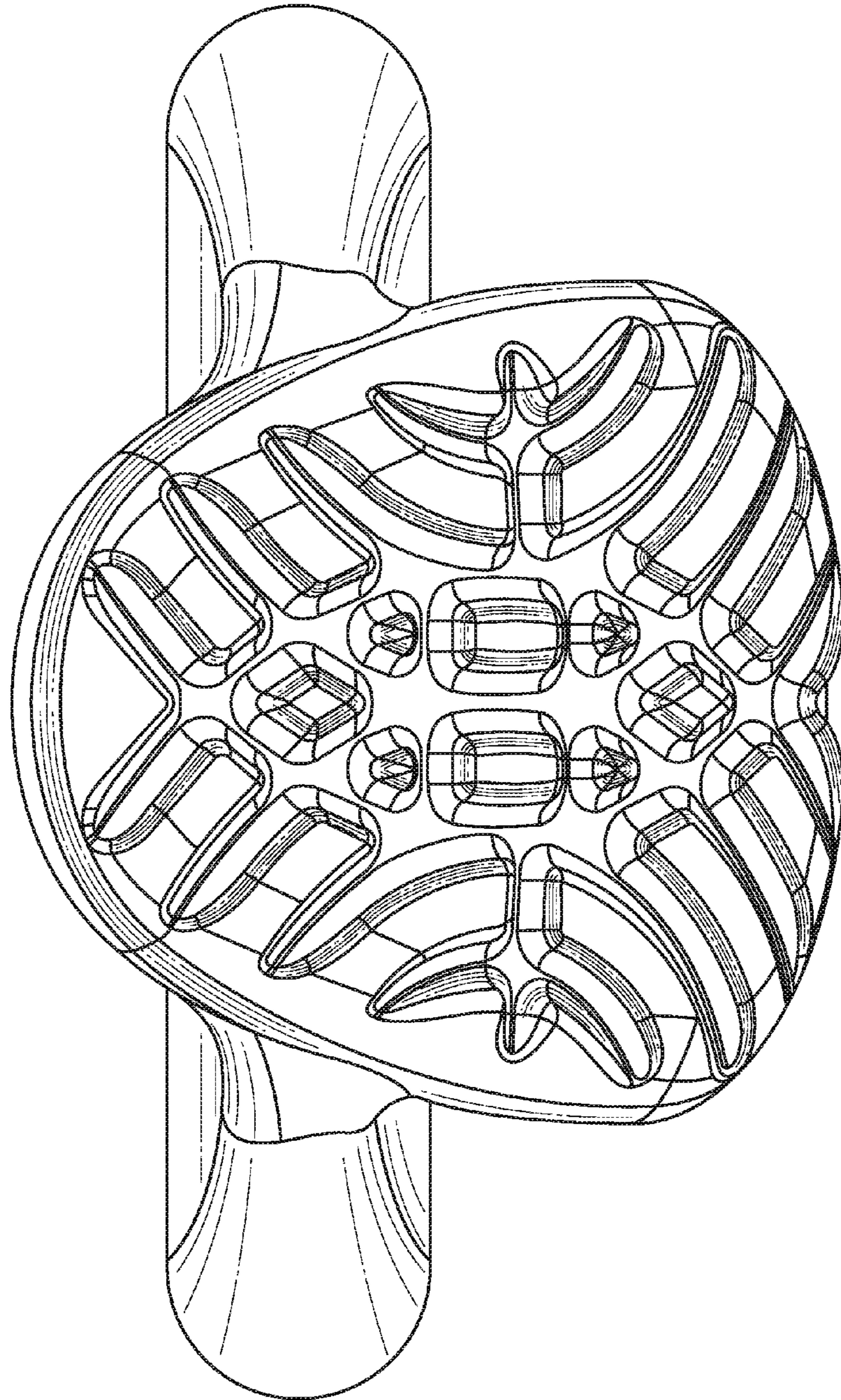


Fig. 3

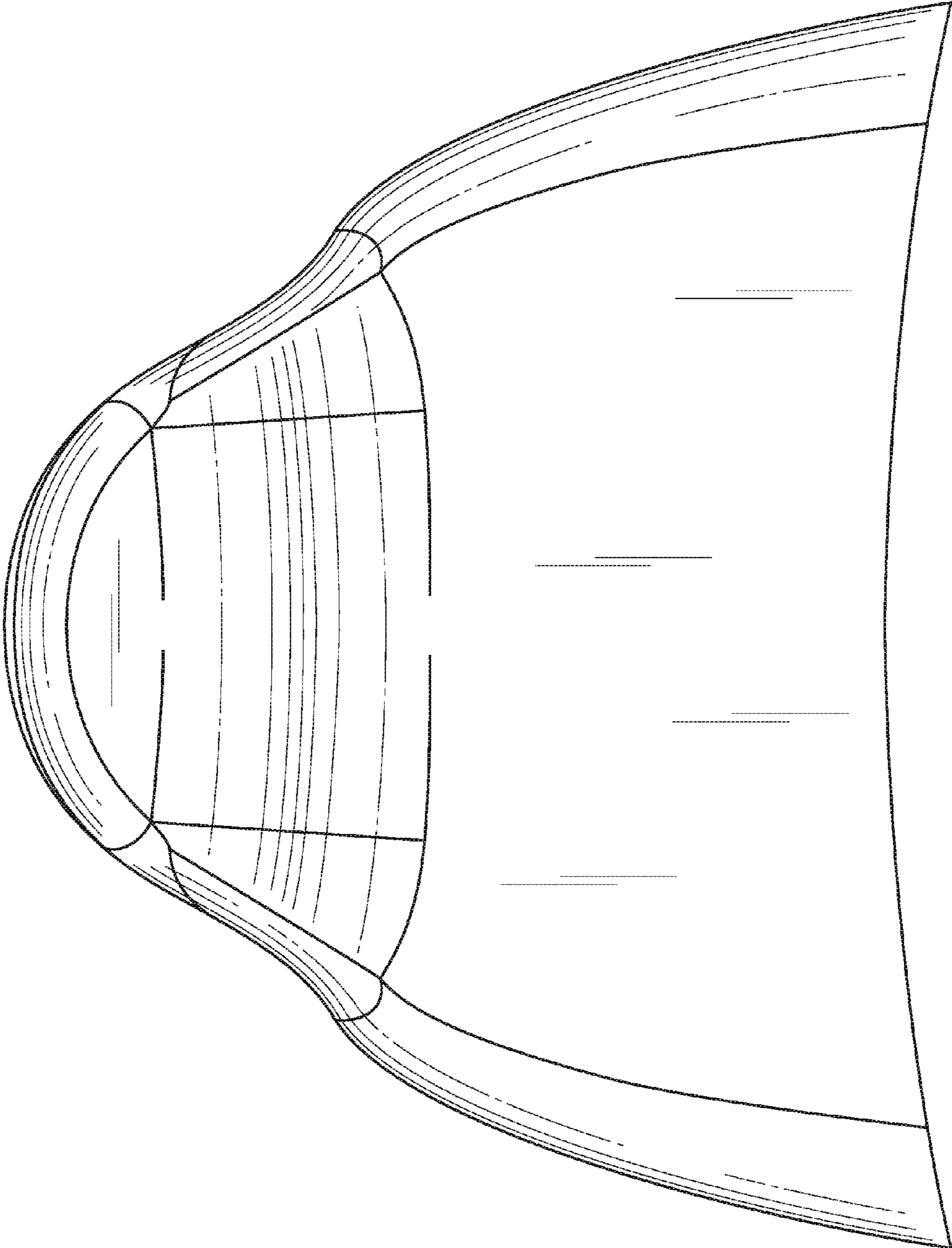


Fig. 4



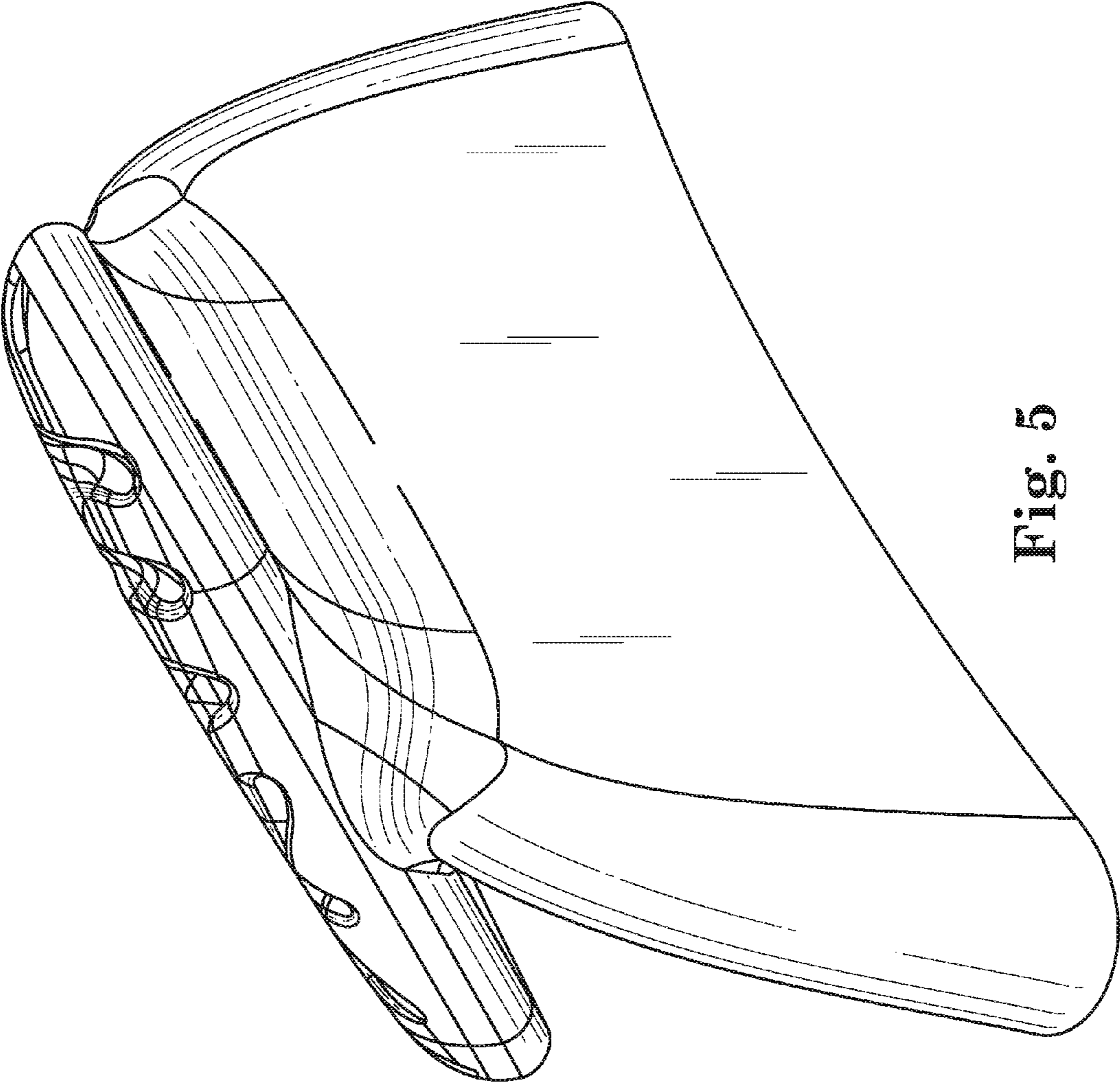


Fig. 5

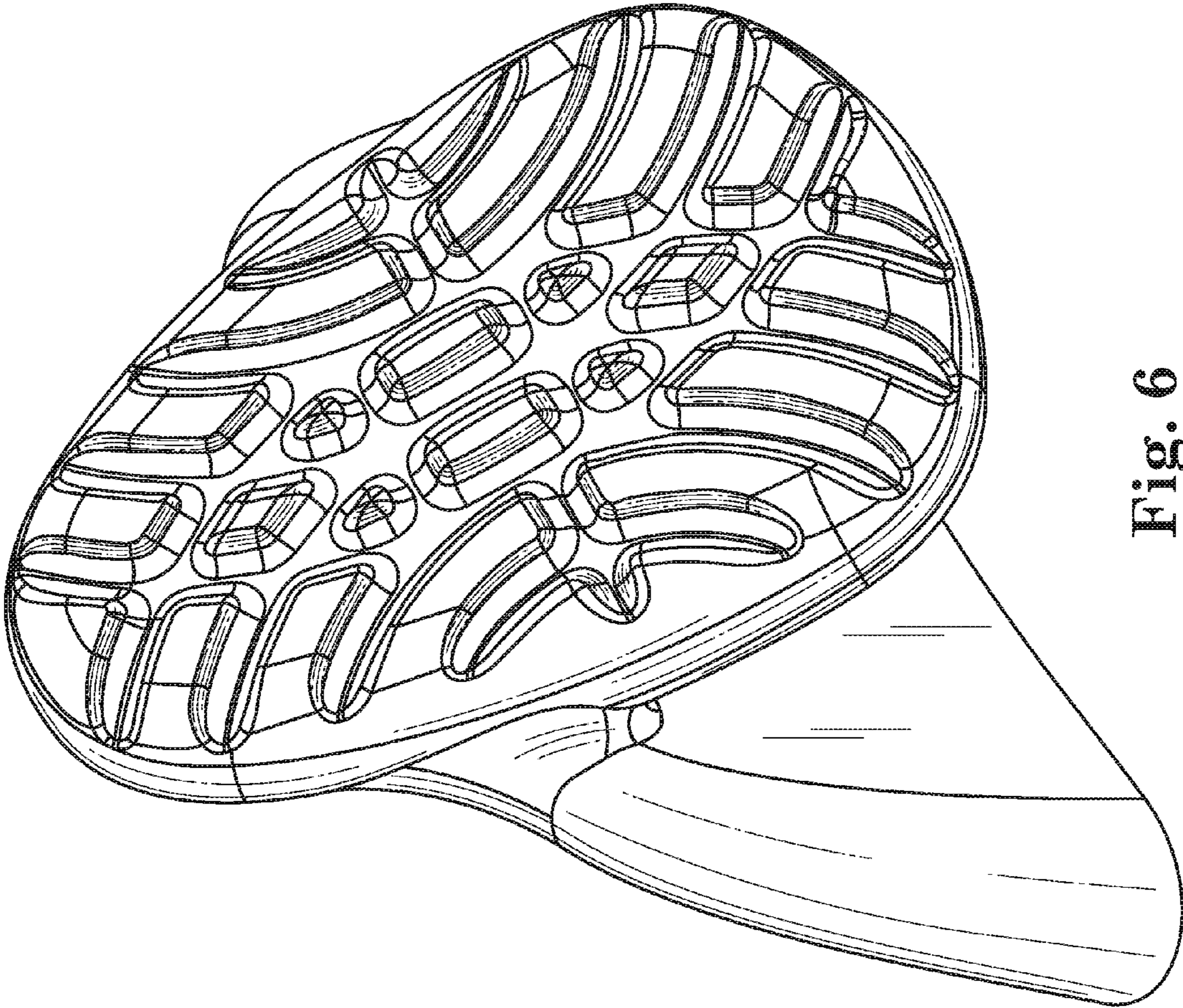


Fig. 6

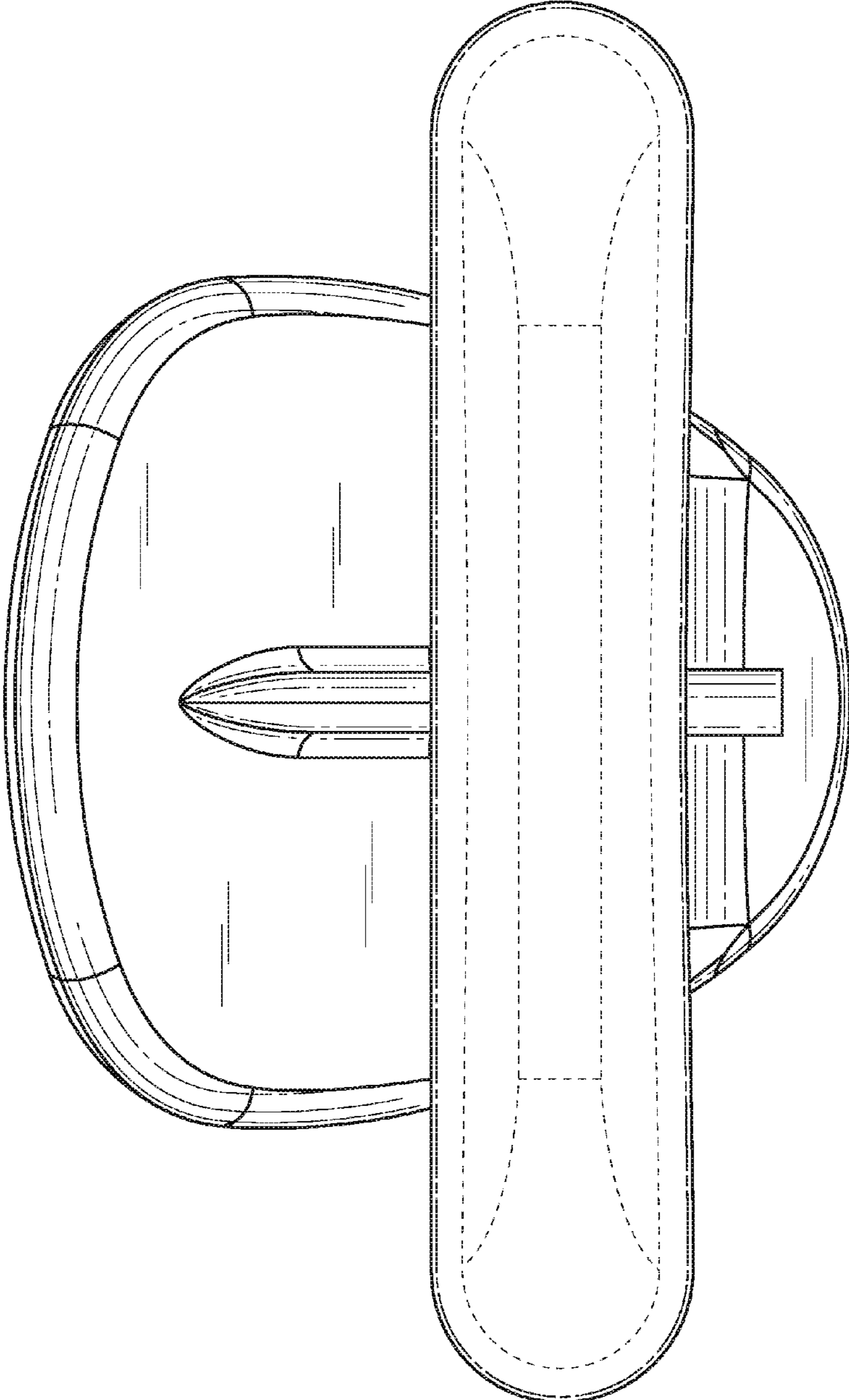


Fig. 7