



US00D661810S

(12) **United States Design Patent**  
**Zanoni et al.**

(10) **Patent No.:** **US D661,810 S**  
(45) **Date of Patent:** **\*\* Jun. 12, 2012**

(54) **PORTABLE DESKTOP INSTRUMENT FOR THE ASSESSMENT OF BEHAVIORAL AND NEUROLOGICAL DISORDERS**

D616,100 S \* 5/2010 Moscovita et al. .... D24/169  
D620,725 S \* 8/2010 Adriaansen et al. .... D6/396  
D627,476 S \* 11/2010 Gaw et al. .... D24/186  
D647,209 S \* 10/2011 Muller et al. .... D24/216

(75) Inventors: **Gabor Zanoni**, Cambridge, MA (US);  
**Mark Breneman**, Boston, MA (US);  
**Christopher Kadamus**, Jamaica Plain, MA (US);  
**Mark Matthews**, Scituate, MA (US);  
**Kenneth Hoadley**, Acton, MA (US);  
**Nikolaos Furligas**, Cambridge, MA (US)

\* cited by examiner

*Primary Examiner* — T. Chase Nelson  
*Assistant Examiner* — Mark Cavanna  
(74) *Attorney, Agent, or Firm* — Fox Rothschild LLP

(73) Assignee: **BioBehavioral Diagnostics Company**, Westford, MA (US)

(57) **CLAIM**  
The ornamental design for a portable desktop instrument for the assessment of behavioral and neurological disorders, as shown and described.

(\*\*) Term: **14 Years**

**DESCRIPTION**

(21) Appl. No.: **29/397,052**

(22) Filed: **Jul. 11, 2011**

(51) **LOC (9) Cl.** ..... **24-01**

(52) **U.S. Cl.** ..... **D24/186**

(58) **Field of Classification Search** ..... D24/107,  
D24/158, 164, 165, 167, 169, 170, 185–187,  
D24/216, 231; 600/300, 301, 368, 372, 481,  
600/529, 544, 554, 561; D10/81; D6/396;  
434/236, 262; 128/903–904

See application file for complete search history.

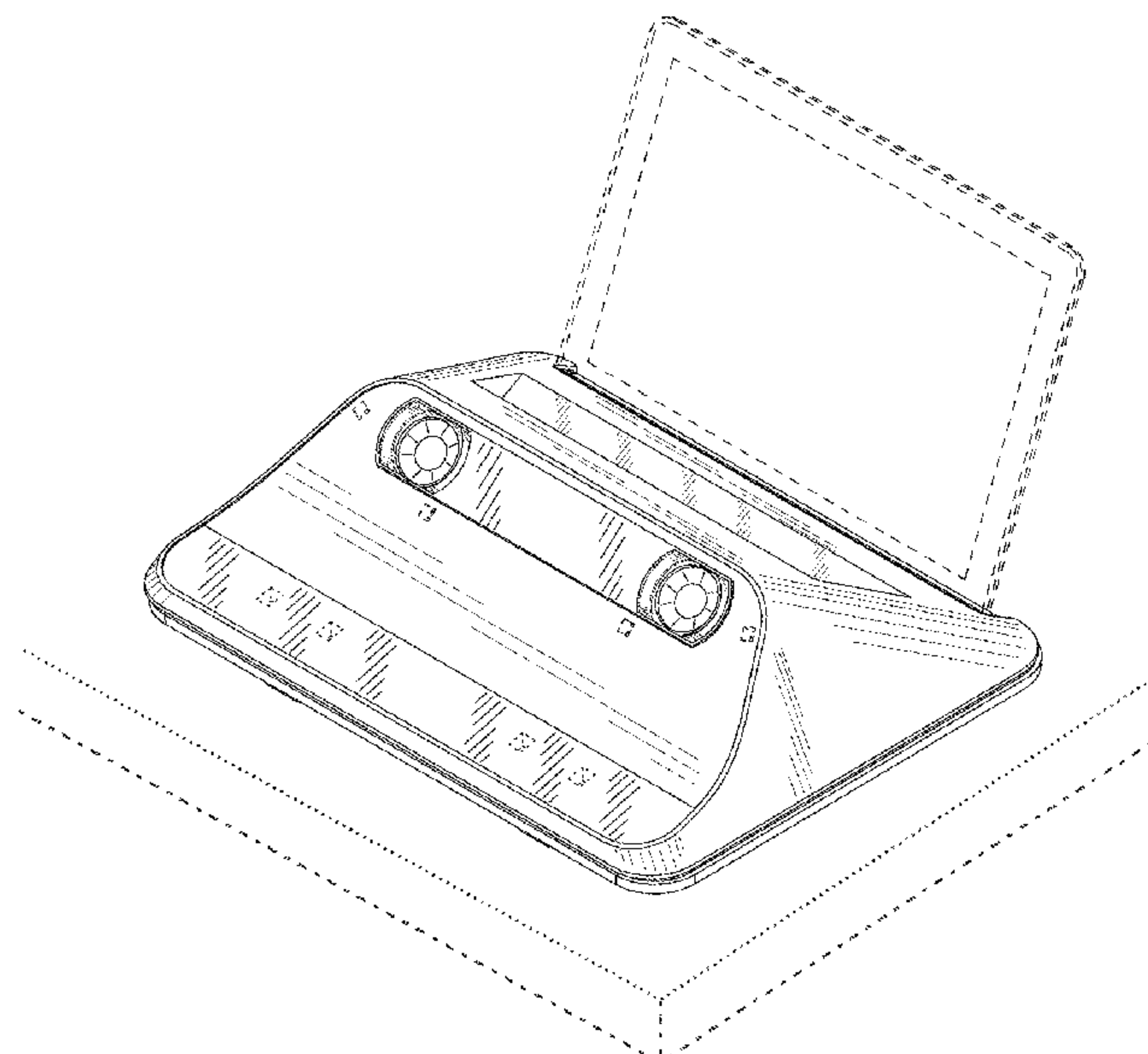
FIG. 1 is a perspective view of a portable desktop instrument for the assessment of behavioral and neurological disorders deployed in a first position.  
FIG. 2 is a front elevational view thereof.  
FIG. 3 is a left elevational view thereof.  
FIG. 4 is a back elevational view thereof.  
FIG. 5 is a right elevational view thereof.  
FIG. 6 is a top plan view thereof.  
FIG. 7 is a bottom plan view thereof.  
FIG. 8 is a top plan view of a portable desktop instrument for the assessment of behavioral and neurological disorders deployed in a second position.  
FIG. 9 is a front elevational view thereof.  
FIG. 10 is a right elevational view thereof.  
FIG. 11 is a left elevational view thereof.  
FIG. 12 is a bottom plan view thereof; and,  
FIG. 13 is a perspective view thereof.  
The broken-line disclosure in the figures illustrates examples of an intended environment for illustrative purposes only and forms no part of the claimed design.

(56) **References Cited**

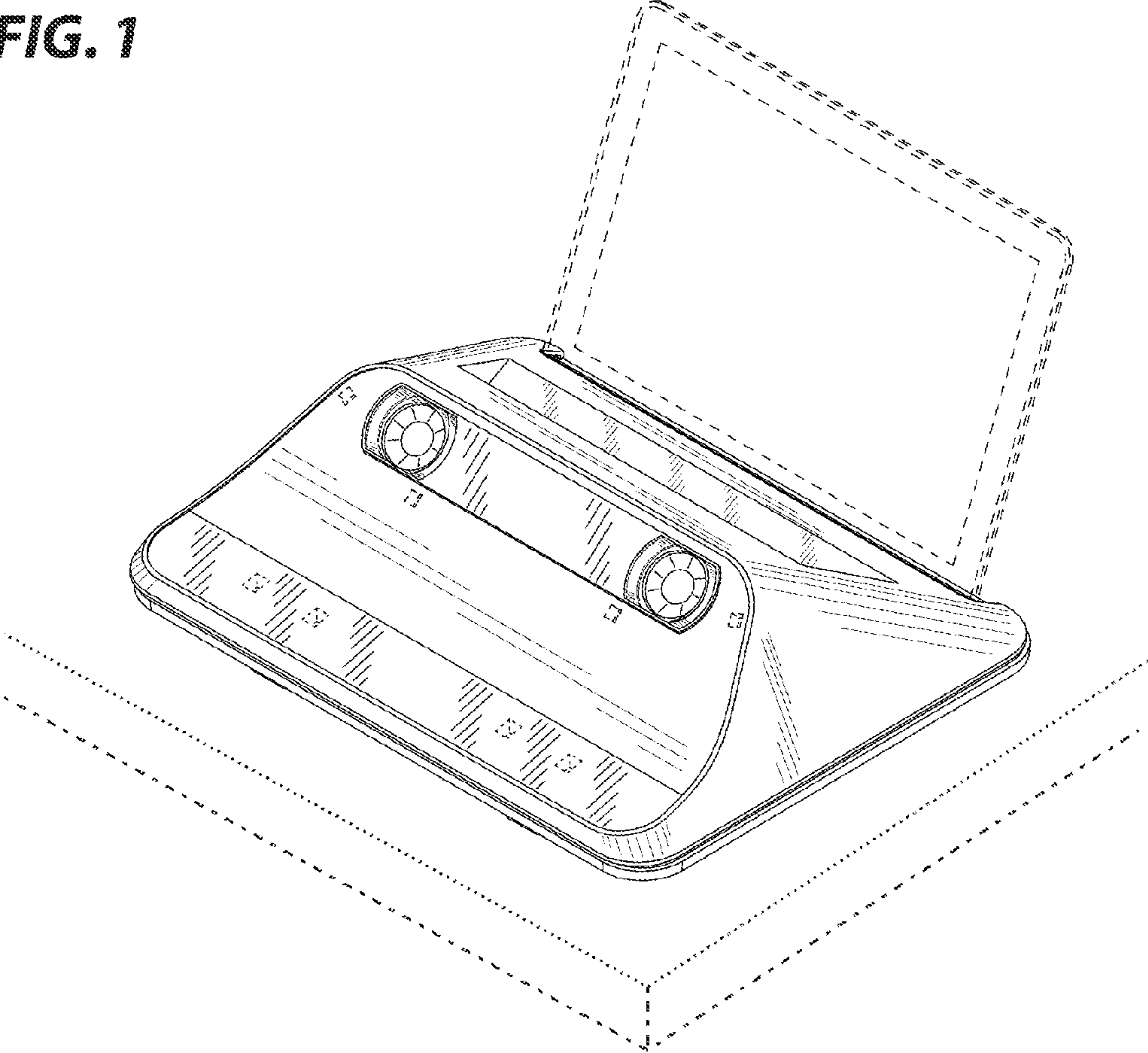
U.S. PATENT DOCUMENTS

D390,666 S \* 2/1998 Lagerlof ..... D24/186  
D446,306 S \* 8/2001 Ochi et al. .... D24/167  
D490,516 S \* 5/2004 Takahashi et al. .... D24/186  
D501,557 S \* 2/2005 Collins et al. .... D24/186  
D533,666 S \* 12/2006 Kobayashi et al. .... D24/165  
D536,793 S \* 2/2007 Assad et al. .... D24/185  
D597,216 S \* 7/2009 McGuigan et al. .... D24/216  
D598,551 S \* 8/2009 Miwa et al. .... D24/186  
D610,260 S \* 2/2010 Moscovita et al. .... D24/167

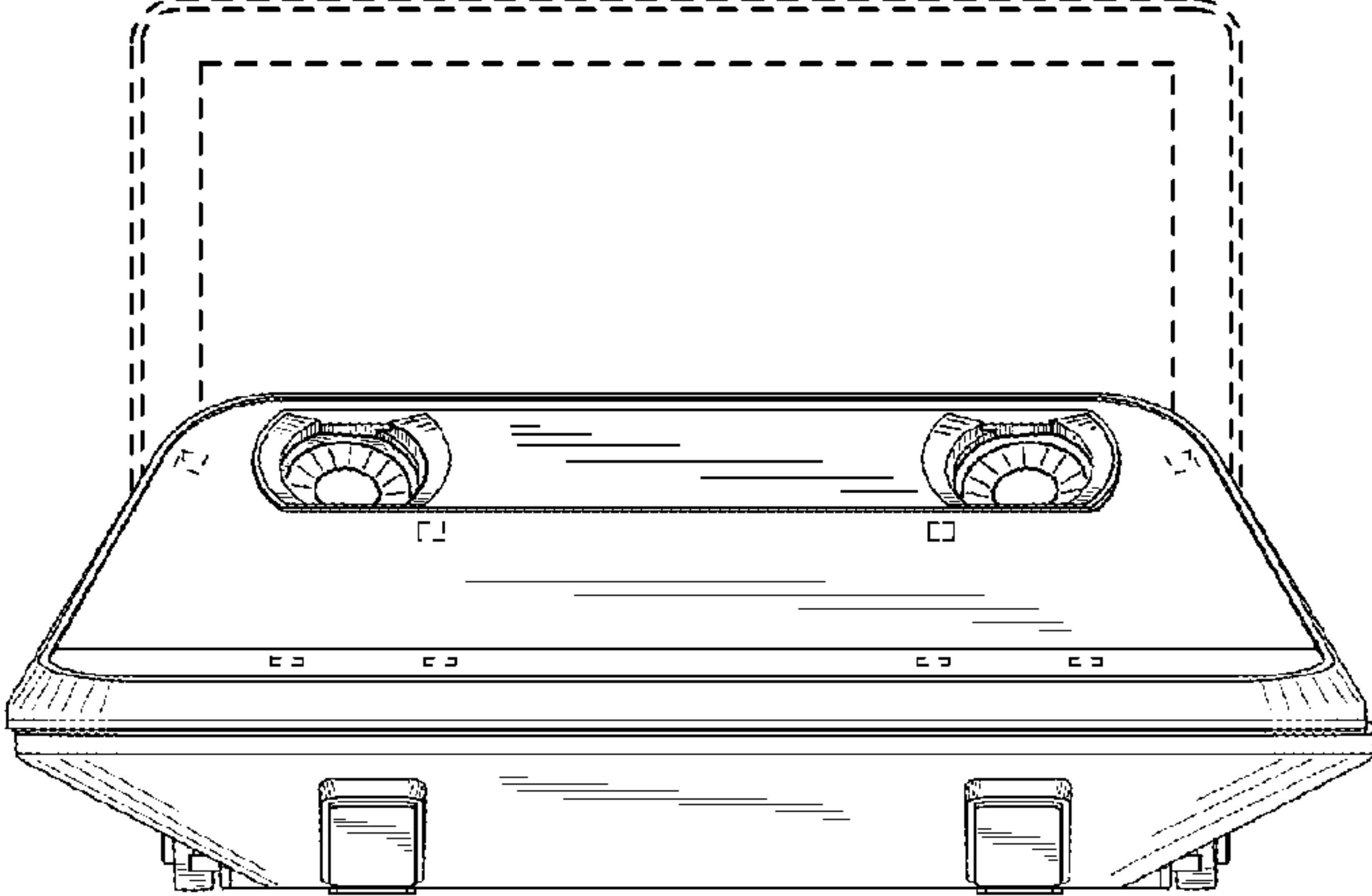
**1 Claim, 7 Drawing Sheets**



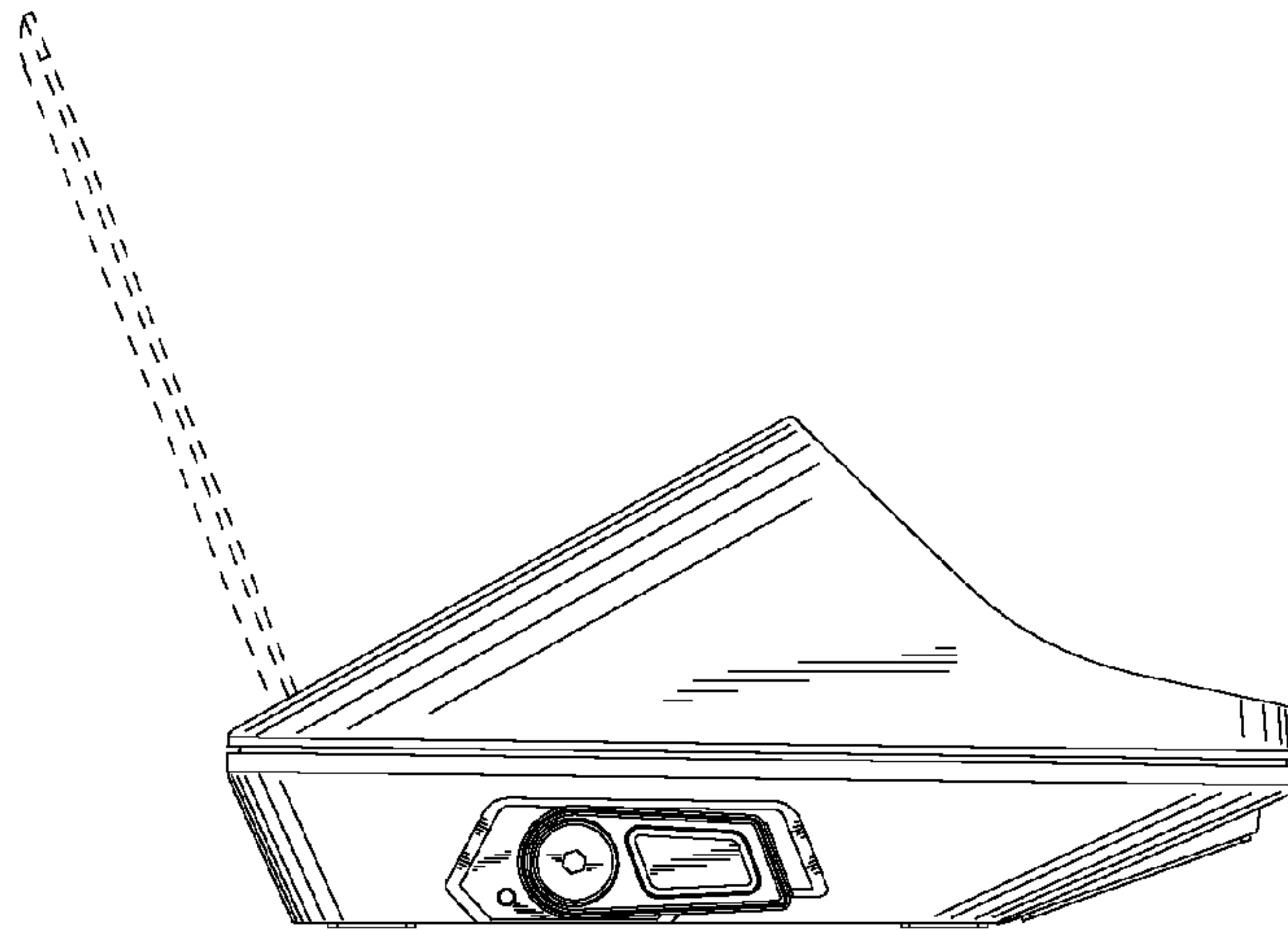
**FIG. 1**



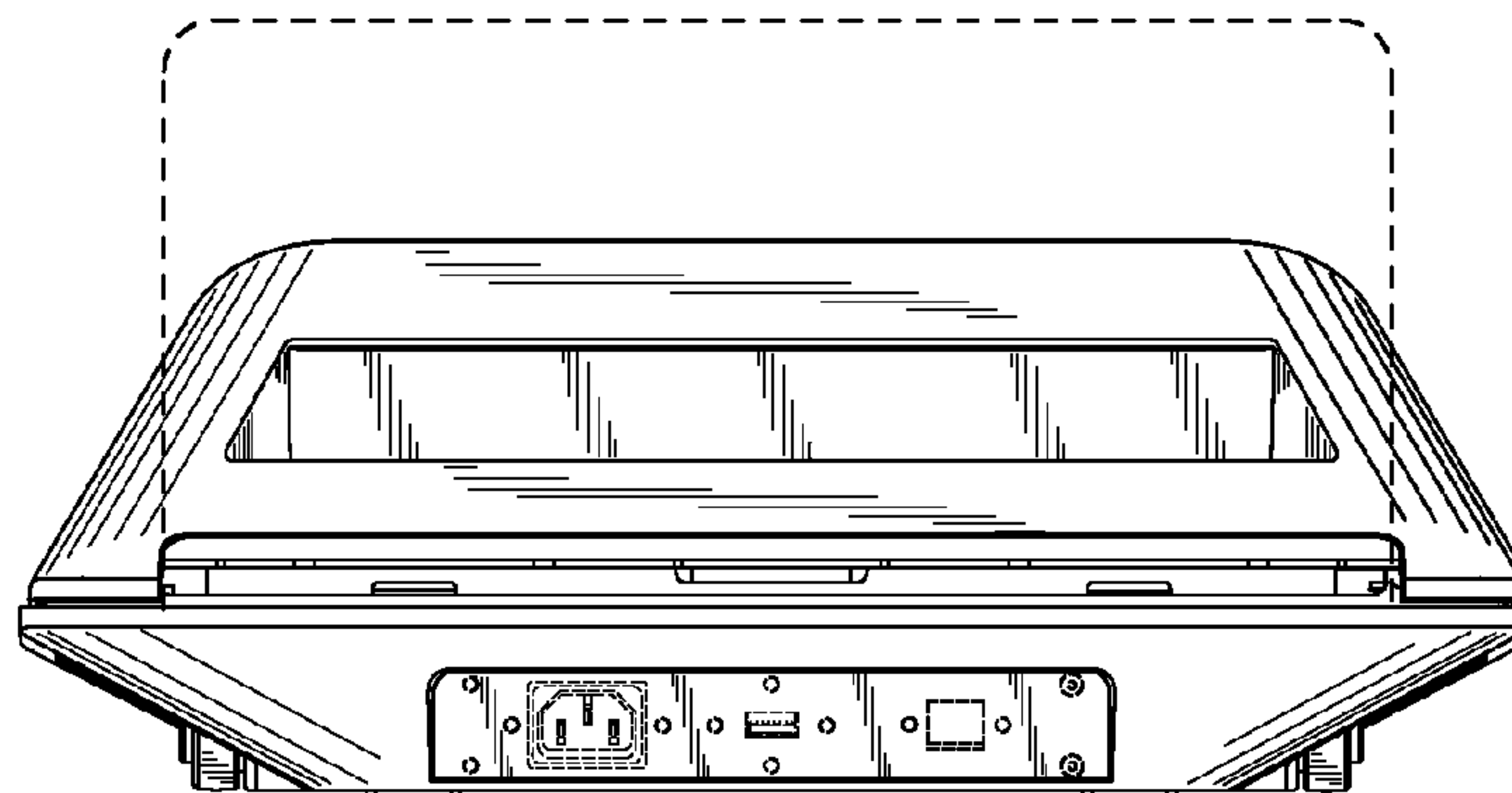
**FIG. 2**



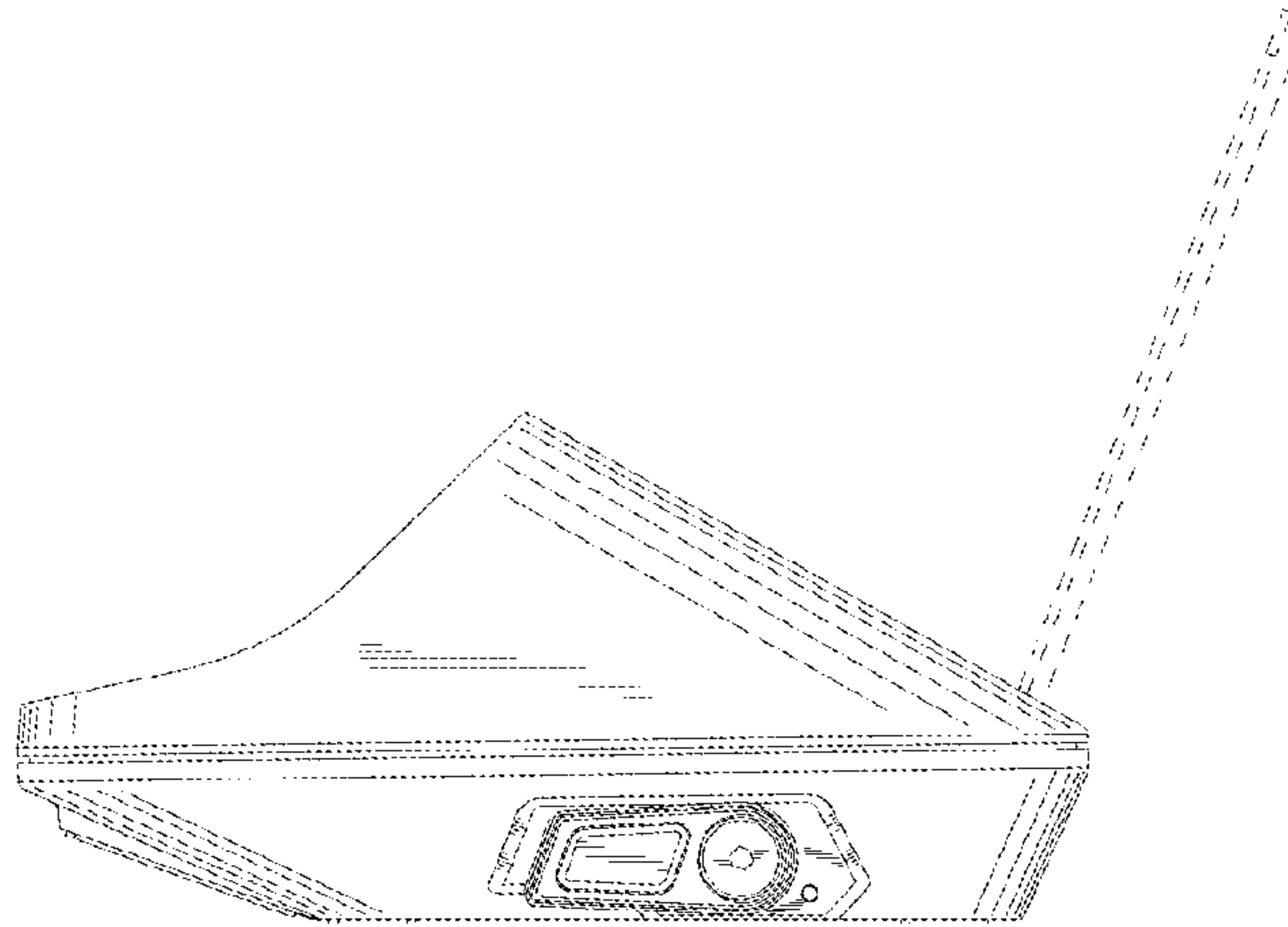
**FIG. 3**



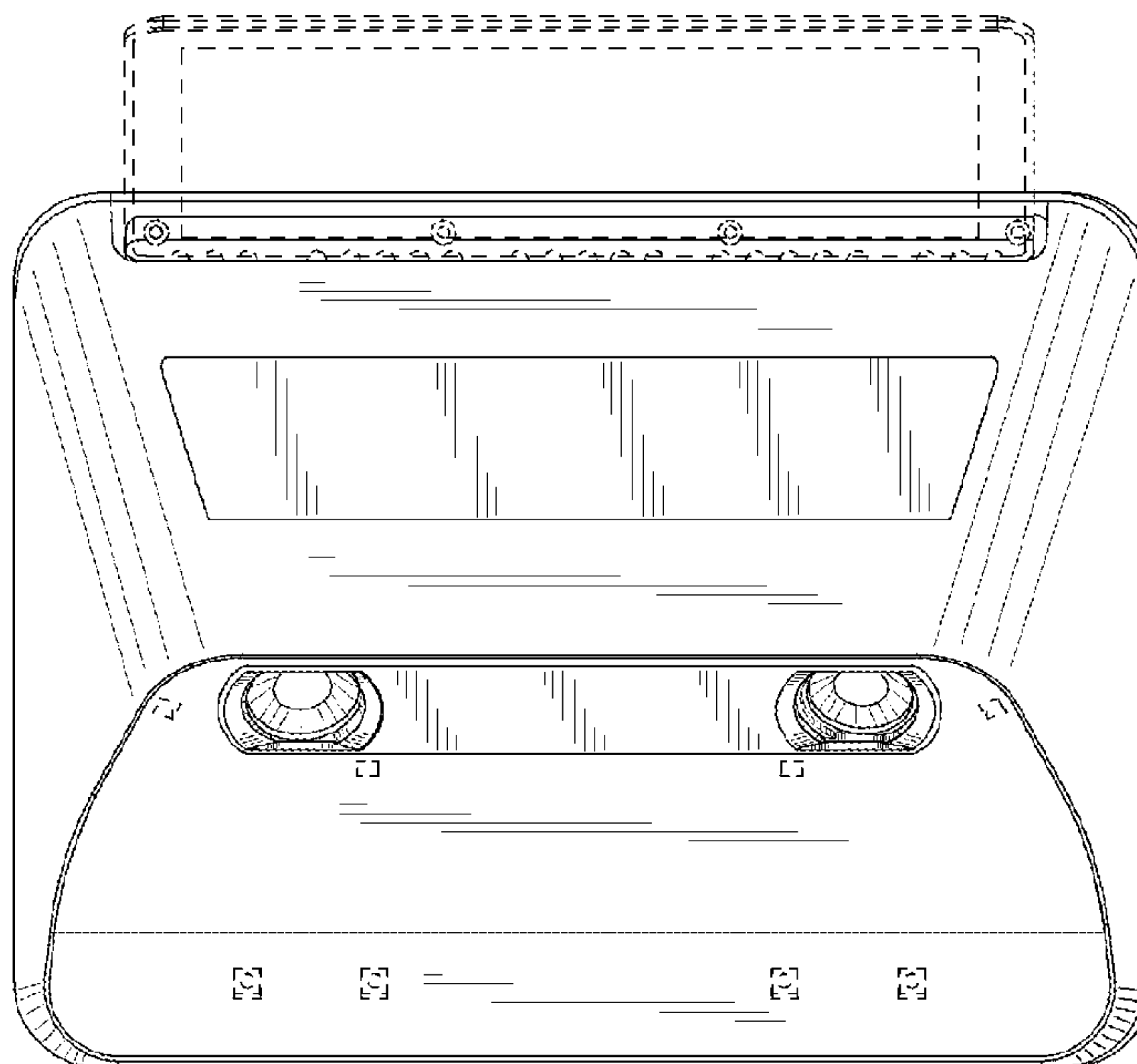
**FIG. 4**



**FIG. 5**

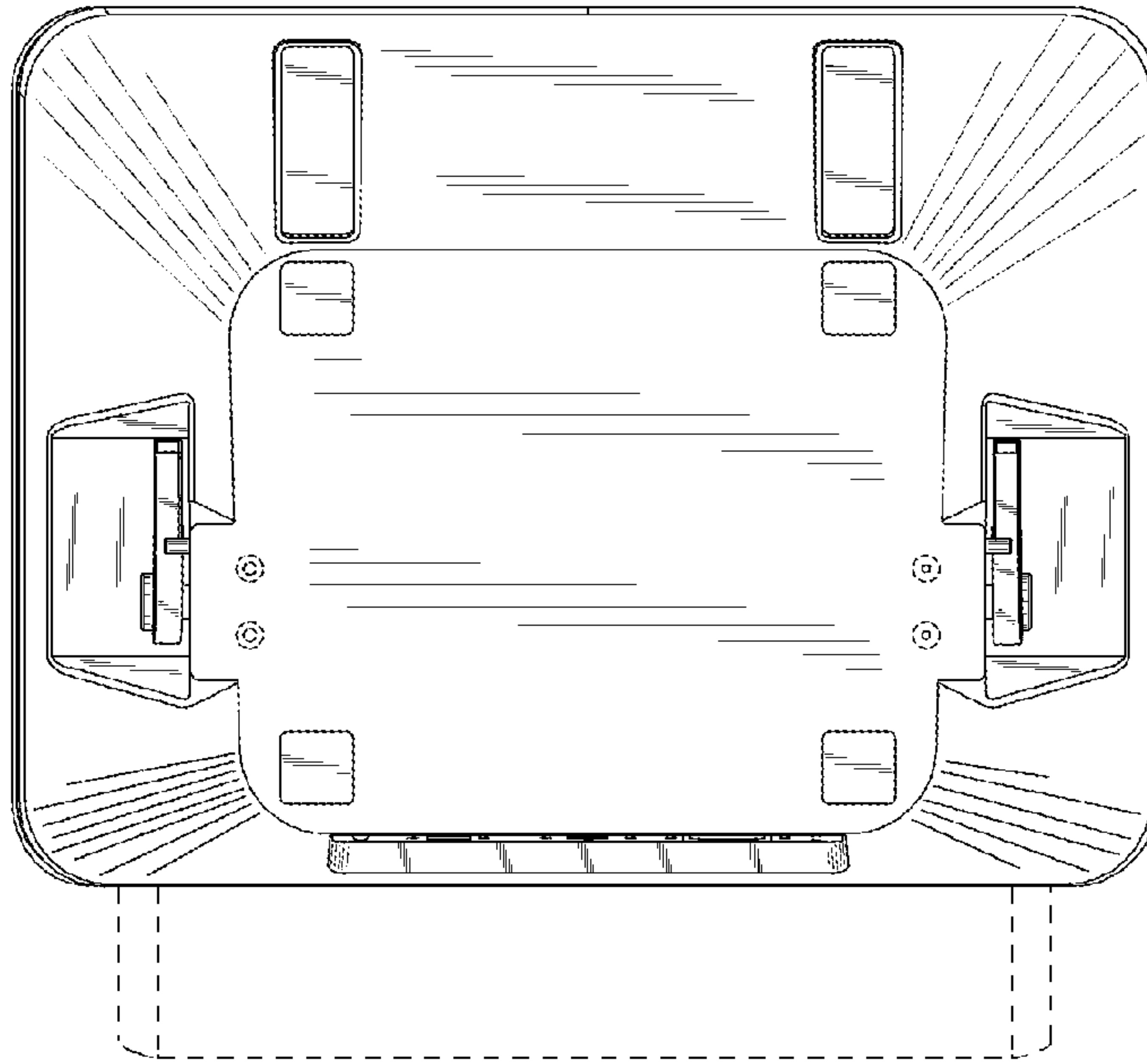


**FIG. 6**

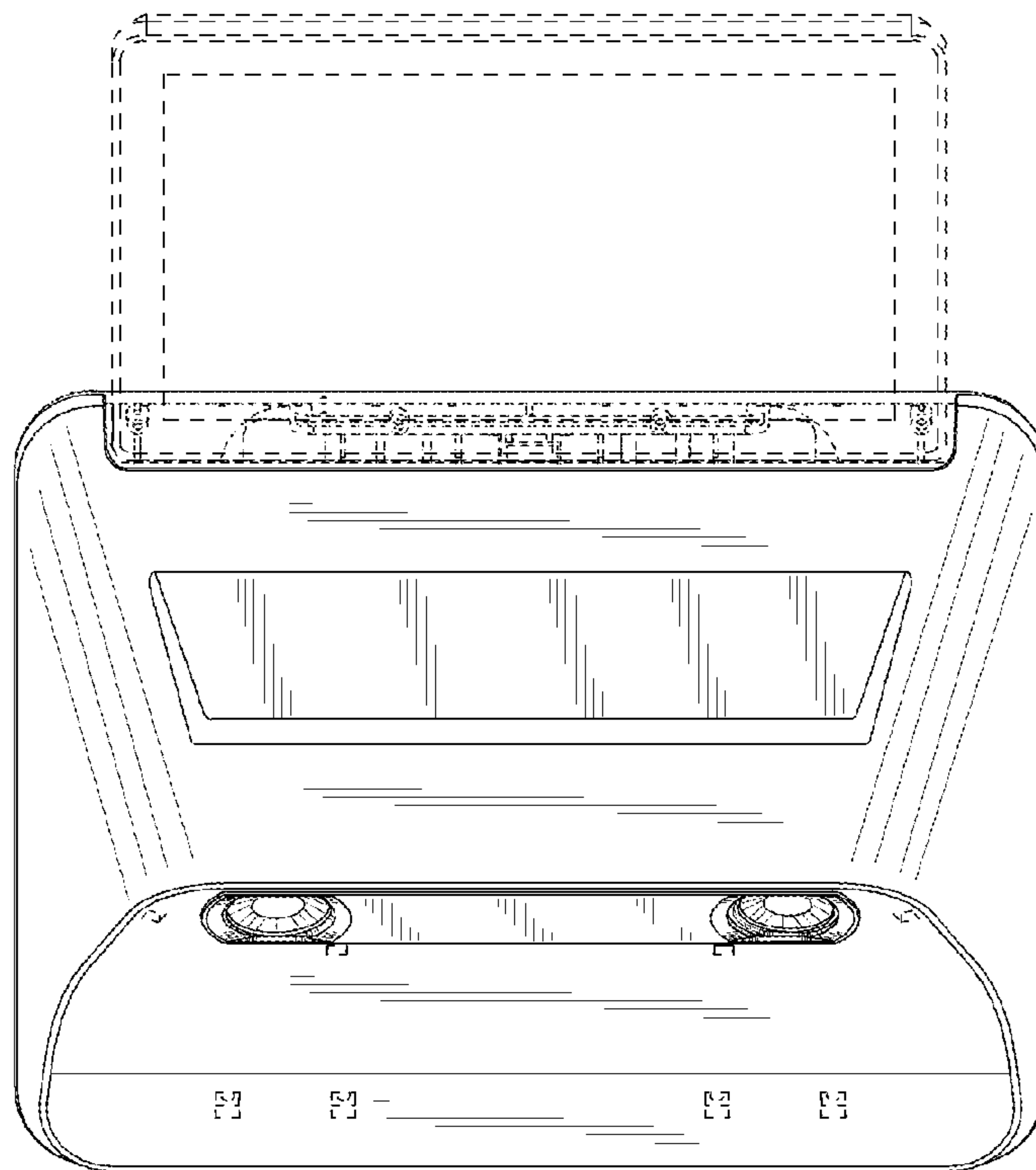




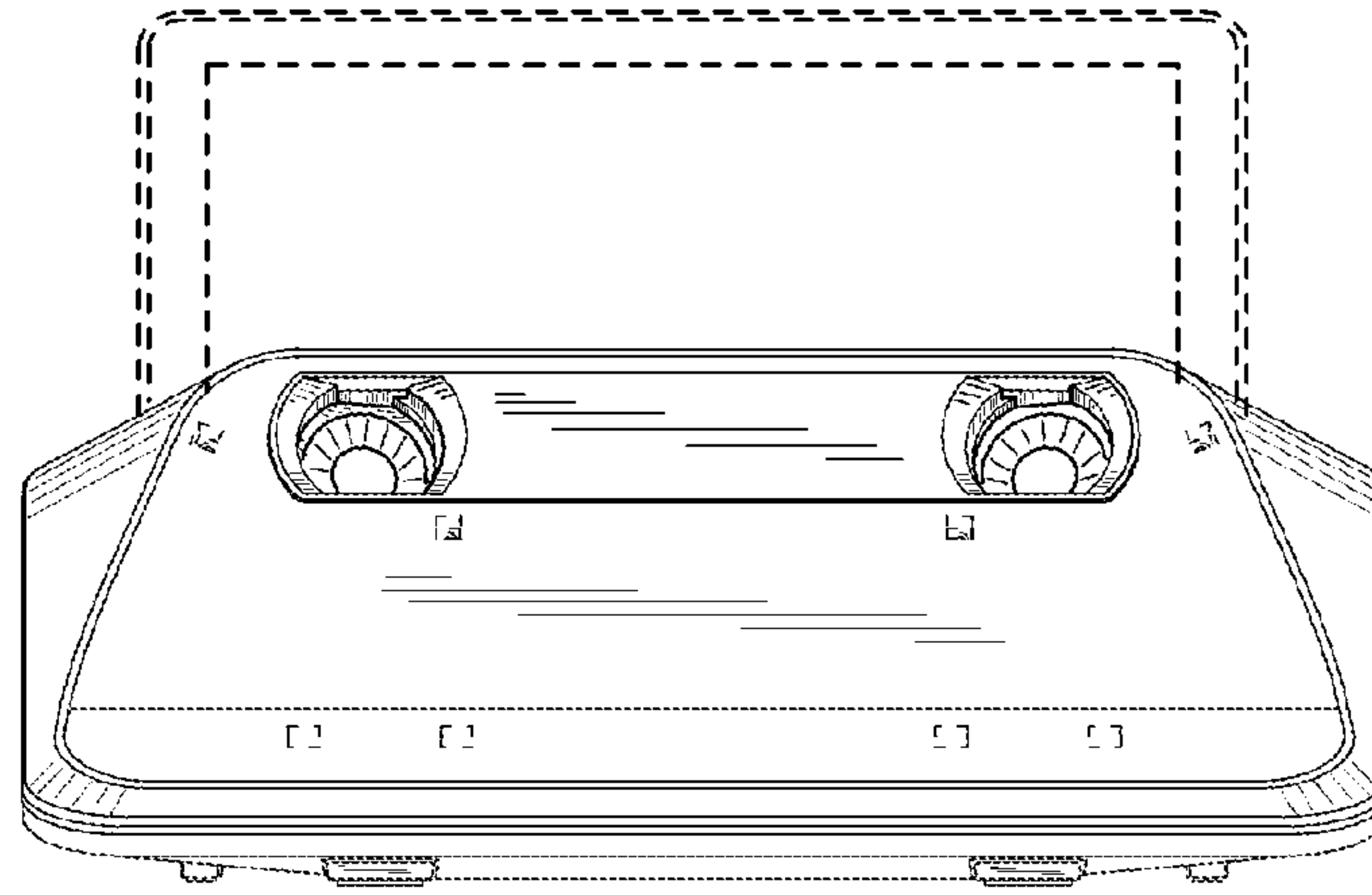
**FIG. 7**



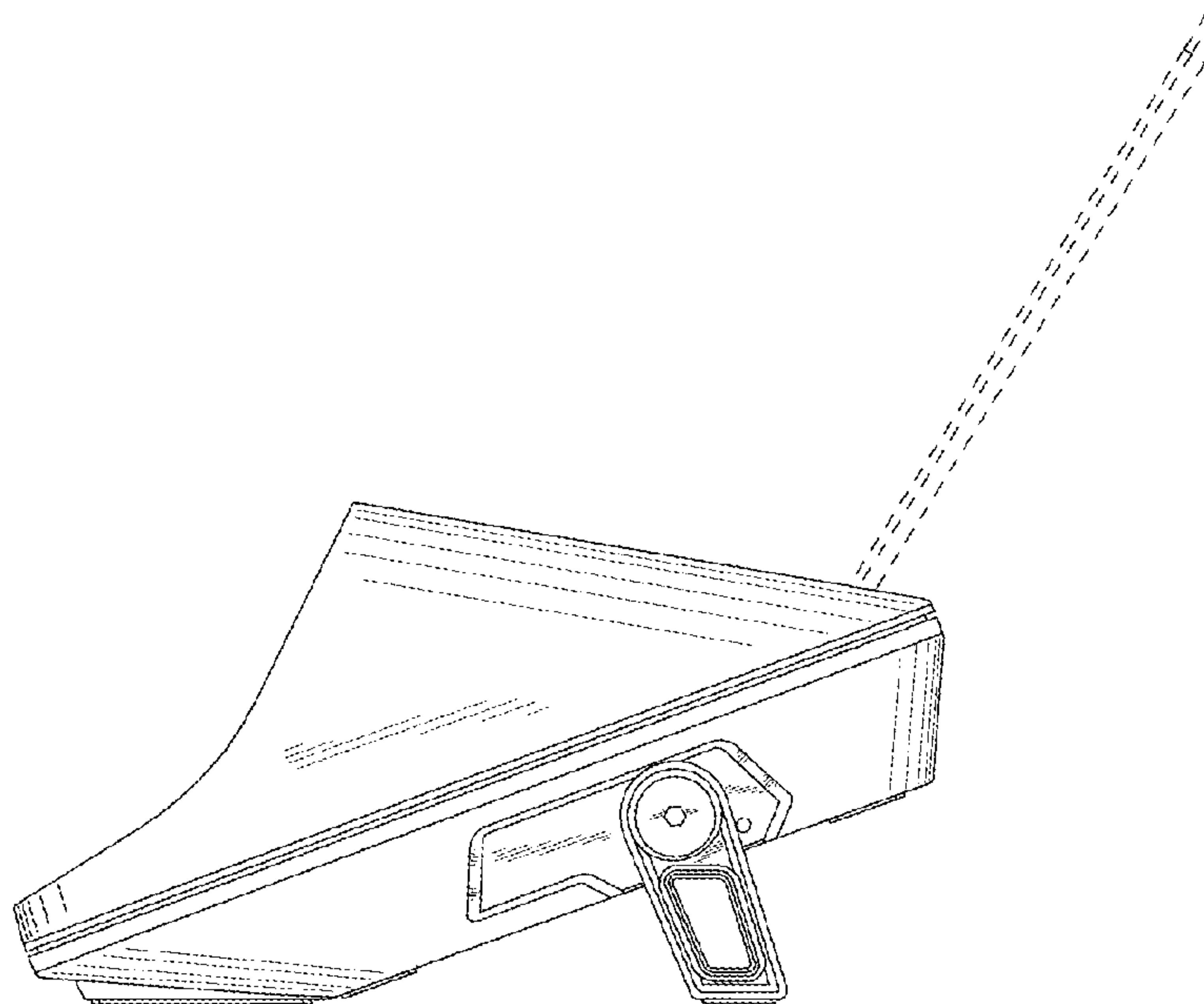
**FIG. 8**



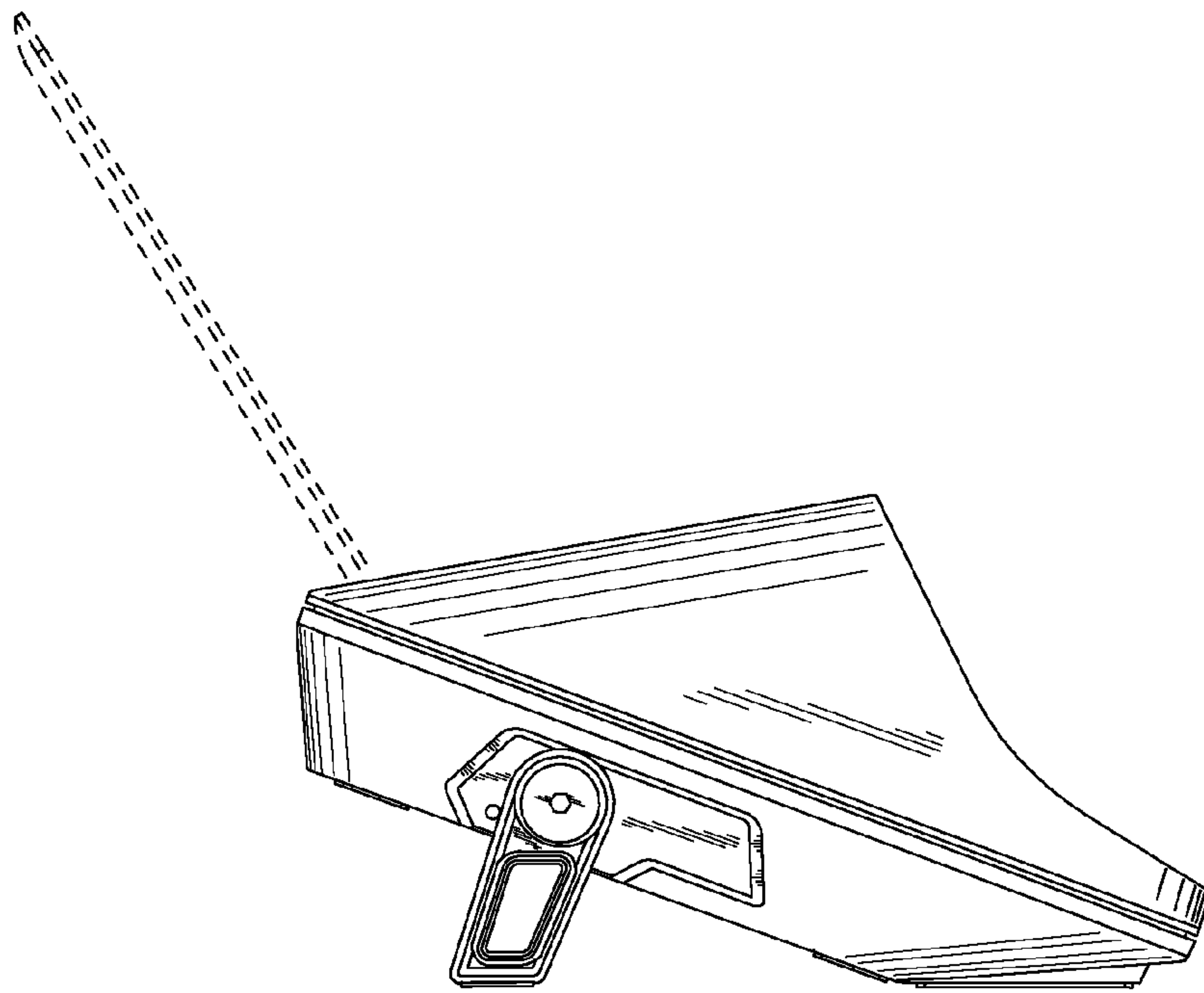
**FIG. 9**



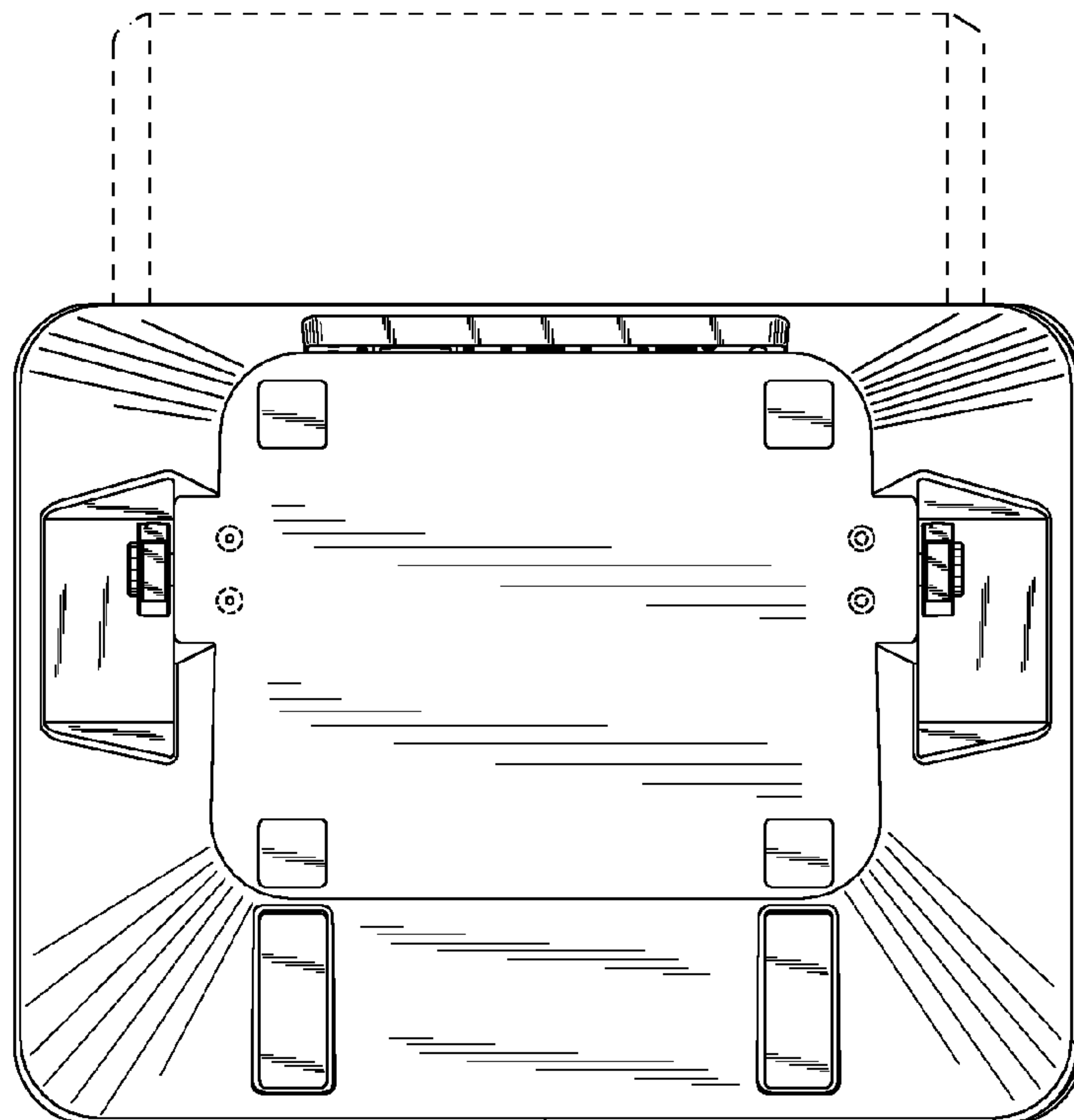
**FIG. 10**



**FIG. 11**



**FIG. 12**



**FIG. 13**

