



US00D661806S

(12) **United States Design Patent**
Khawaled et al.

(10) **Patent No.:** **US D661,806 S**
(45) **Date of Patent:** **** Jun. 12, 2012**

- (54) **DENTAL DEVICE**
- (75) Inventors: **Kamal Khawaled**, Shfaram (IL); **David Tavor**, Hod-HaSharon (IL); **Otman Zuabi**, Haifa (IL)
- (73) Assignee: **Fluorinex Active Ltd.**, Yokneam Illit (IL)
- (**) Term: **14 Years**
- (21) Appl. No.: **29/340,469**
- (22) Filed: **Jul. 20, 2009**
- (51) **LOC (9) Cl.** **24-02**
- (52) **U.S. Cl.** **D24/152; D24/176**
- (58) **Field of Classification Search** D24/107, D24/112, 113, 152-156, 176, 180-182; D29/108; 128/859, 861-862; 606/2, 130; 433/53, 433/90, 102, 114, 141, 167, 168.1, 172-174, 433/193, 196, 146-147, 80, 140
See application file for complete search history.

- 6,752,630 B2 * 6/2004 Roetzer 433/140
- D528,208 S * 9/2006 Moriyama D24/152
- D582,559 S * 12/2008 Khawaled et al. D24/181
- 7,775,795 B2 * 8/2010 Khawaled et al. 433/32
- 2008/0115792 A1 * 5/2008 Burger 128/862
- 2009/0114232 A1 * 5/2009 Landi et al. 128/859

* cited by examiner

Primary Examiner — Wan Laymon

(74) *Attorney, Agent, or Firm* — Roach Brwon McCarthy & Gruber, P.C.; Kevin D. McCarthy

(57) **CLAIM**

The ornamental design for a dental device, as shown and described.

DESCRIPTION

FIG. 1 is a reduced perspective view of a dental device embodying our new design shown in a closed configuration; FIG. 2 is a top view thereof; FIG. 3 is a bottom view thereof; FIG. 4 is an enlarged right side view thereof; FIG. 5 is an enlarged left side view thereof; FIG. 6 is an enlarged front view thereof; FIG. 7 is an enlarged rear view thereof; FIG. 8 is a reduced, exploded, perspective view of the dental device in which the elements are disassembled; FIG. 9 is a top view of FIG. 8; FIG. 10 is a bottom view of FIG. 8; FIG. 11 is a right side view of FIG. 8; and, FIG. 12 is a left side view of FIG. 8.

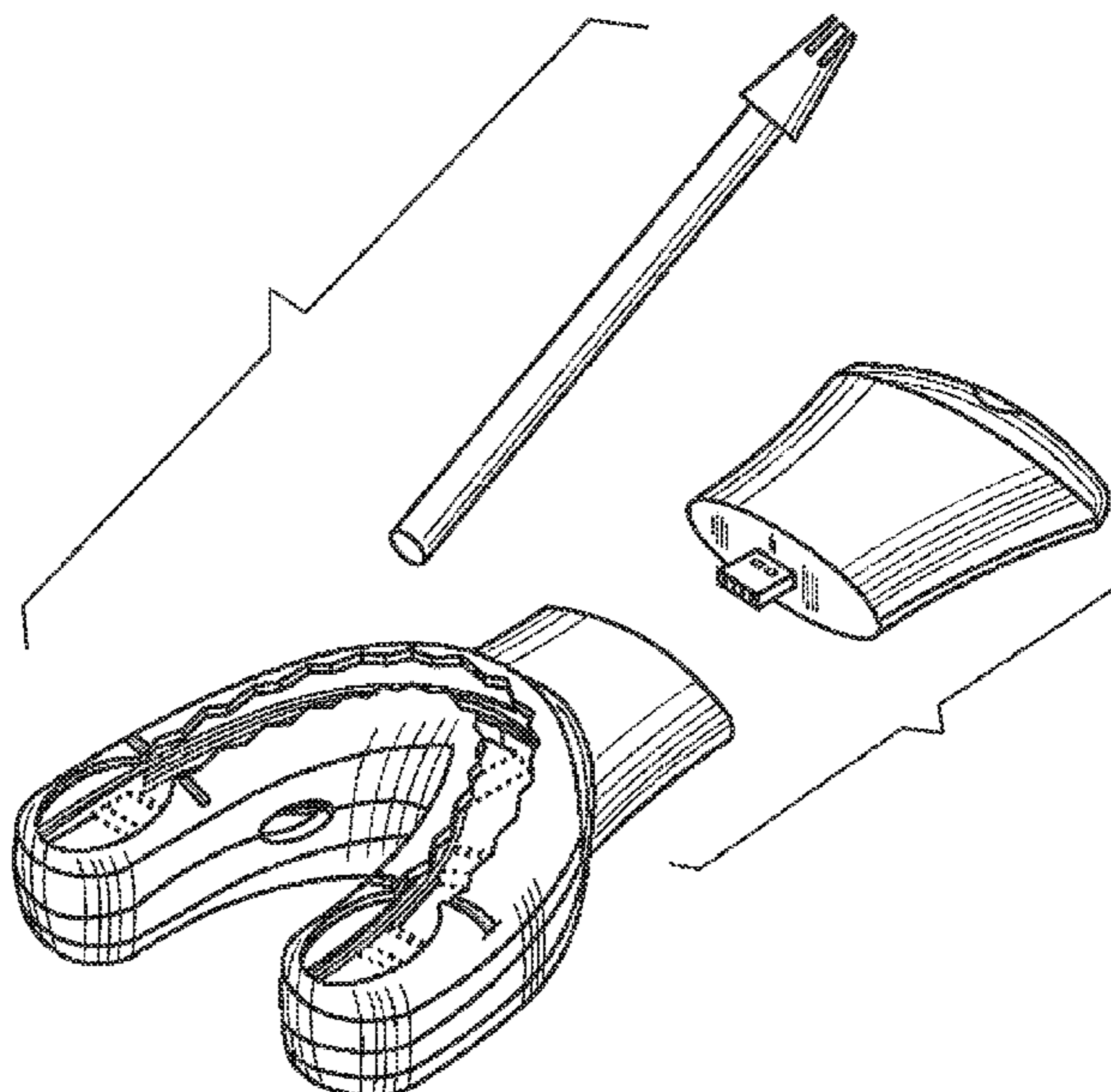
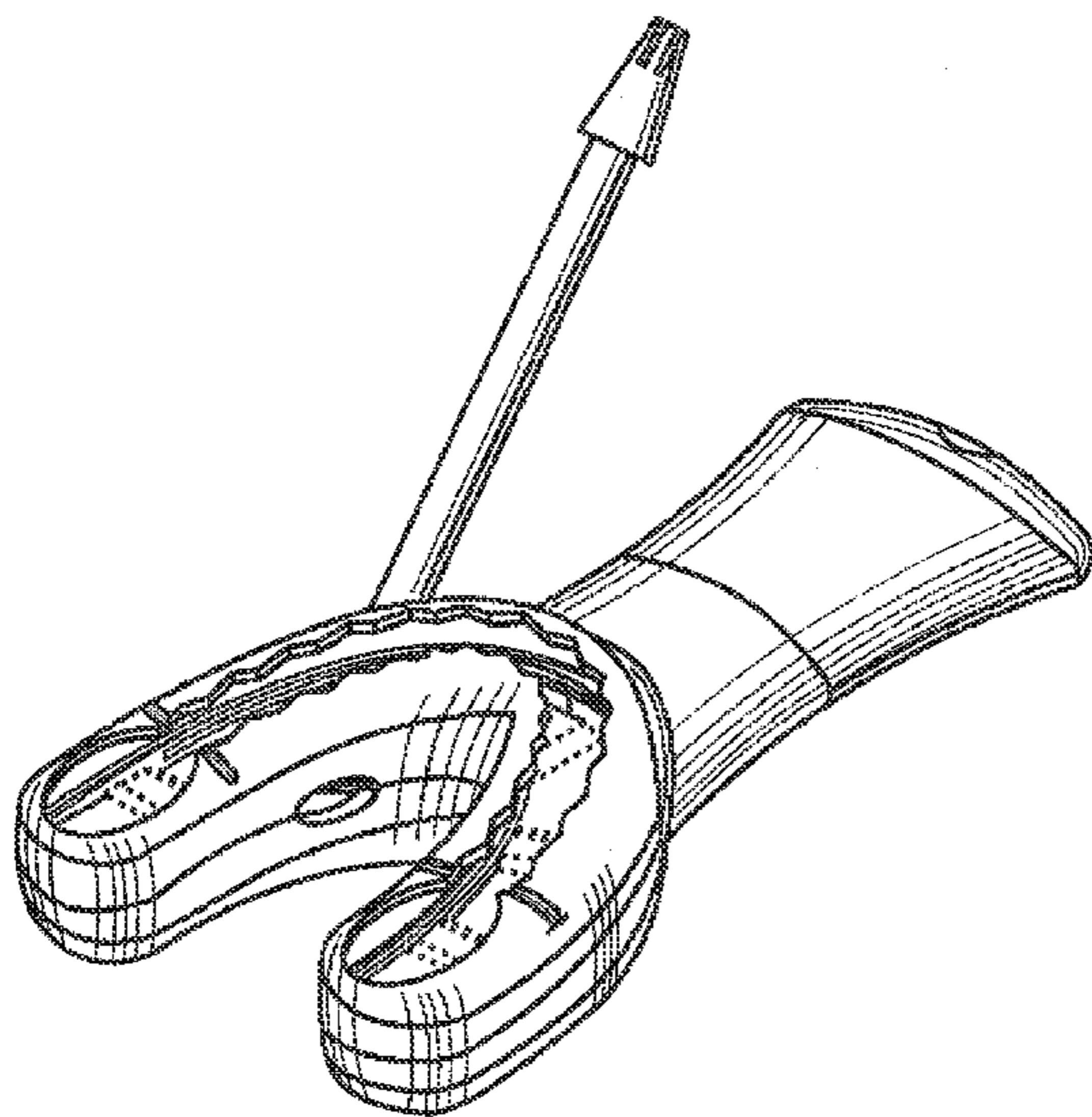
The broken lines represent portions of the article that form no part of the claim.

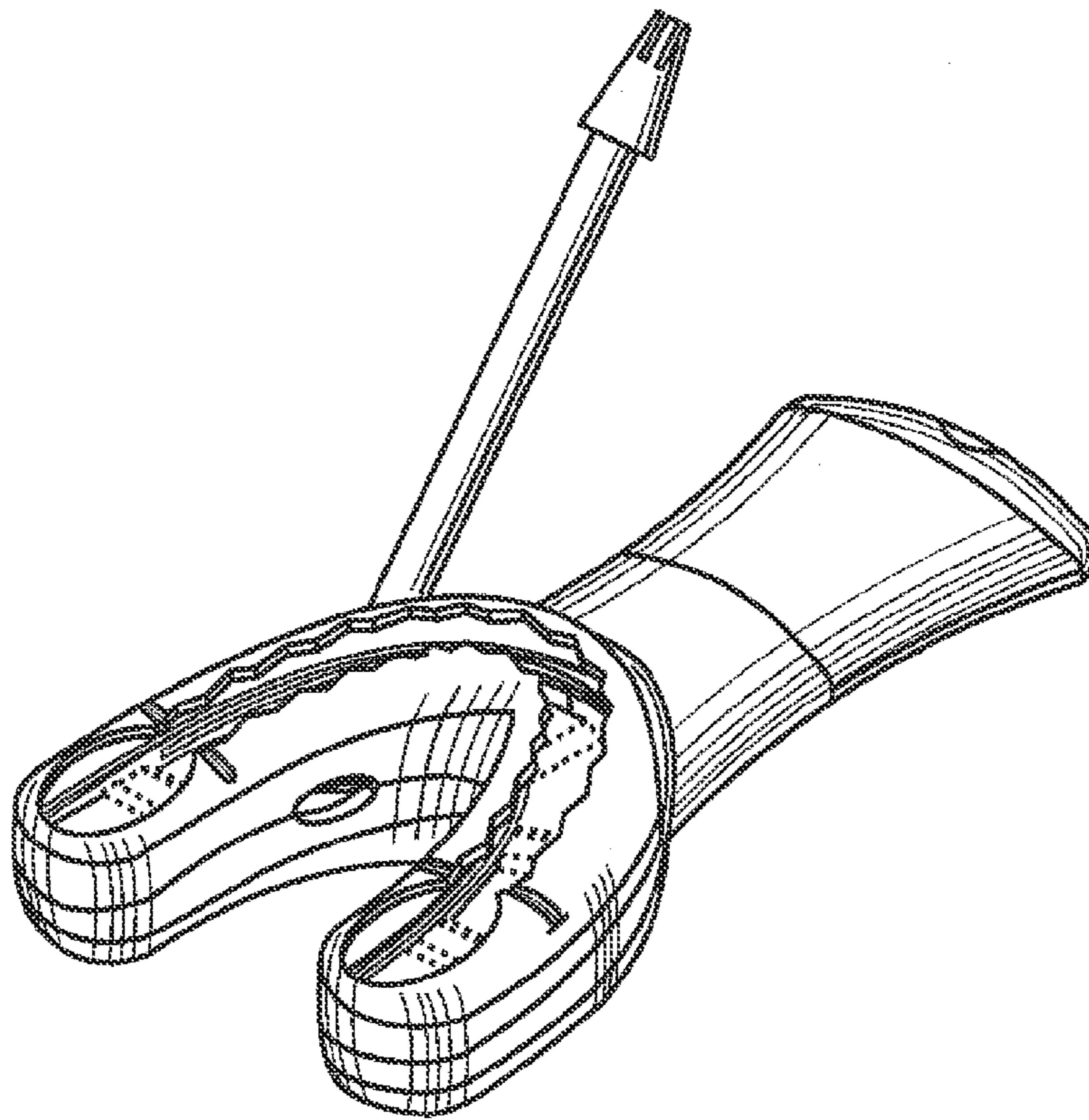
1 Claim, 12 Drawing Sheets

(56) **References Cited**

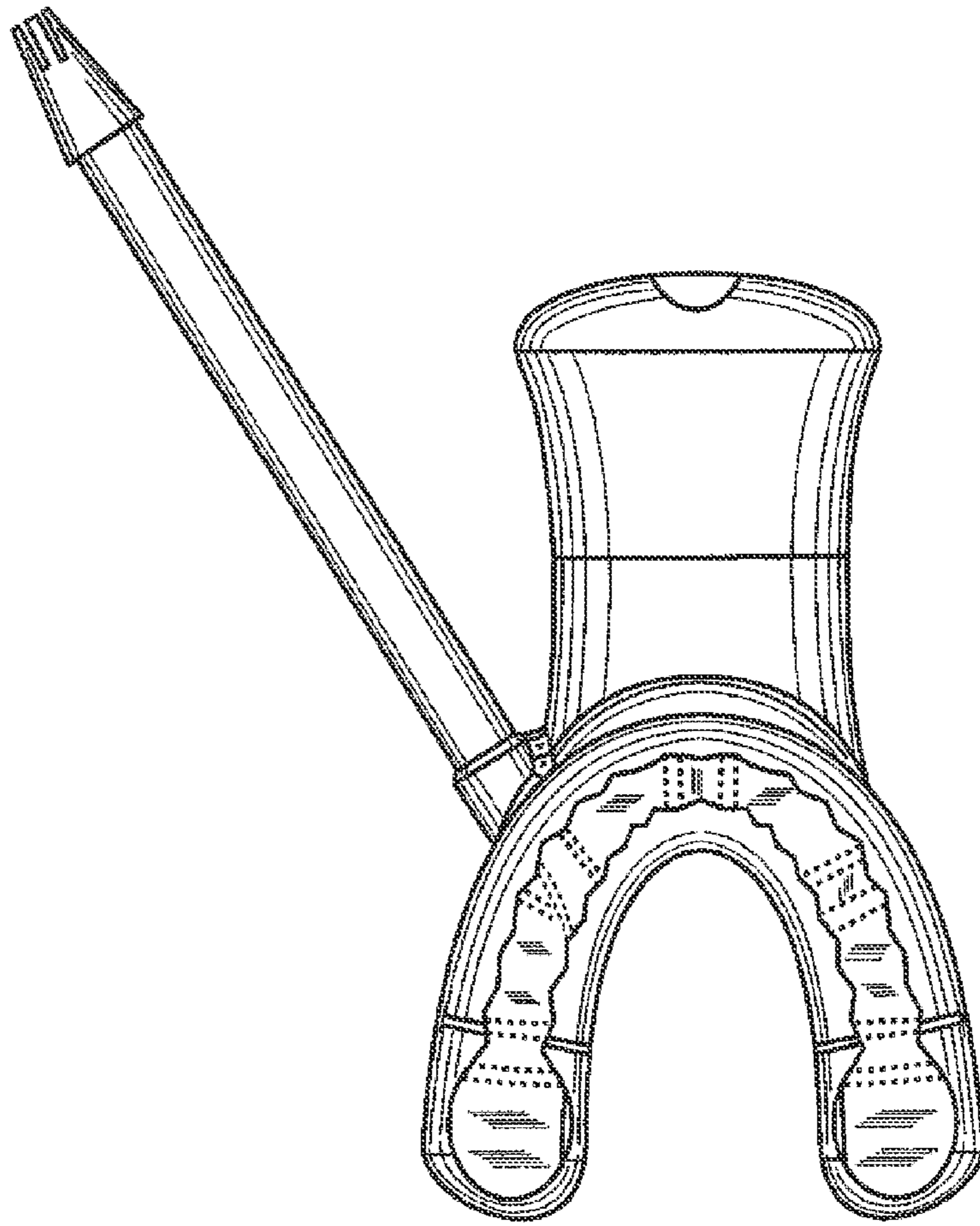
U.S. PATENT DOCUMENTS

- 2,758,374 A * 8/1956 Fisher et al. D24/181
- 3,380,446 A * 4/1968 Martin 433/216
- D215,685 S * 10/1969 Helmer D29/108
- D229,562 S * 12/1973 Sturdivant D24/176
- 5,104,315 A * 4/1992 McKinley 433/80
- 5,211,559 A * 5/1993 Hart et al. 433/80
- 5,792,067 A * 8/1998 Karell 128/848
- D403,771 S * 1/1999 Werrin D24/181
- D433,138 S * 10/2000 Kesling D24/181
- D434,501 S * 11/2000 Redhage D24/181
- D456,515 S * 4/2002 Dinu D24/181

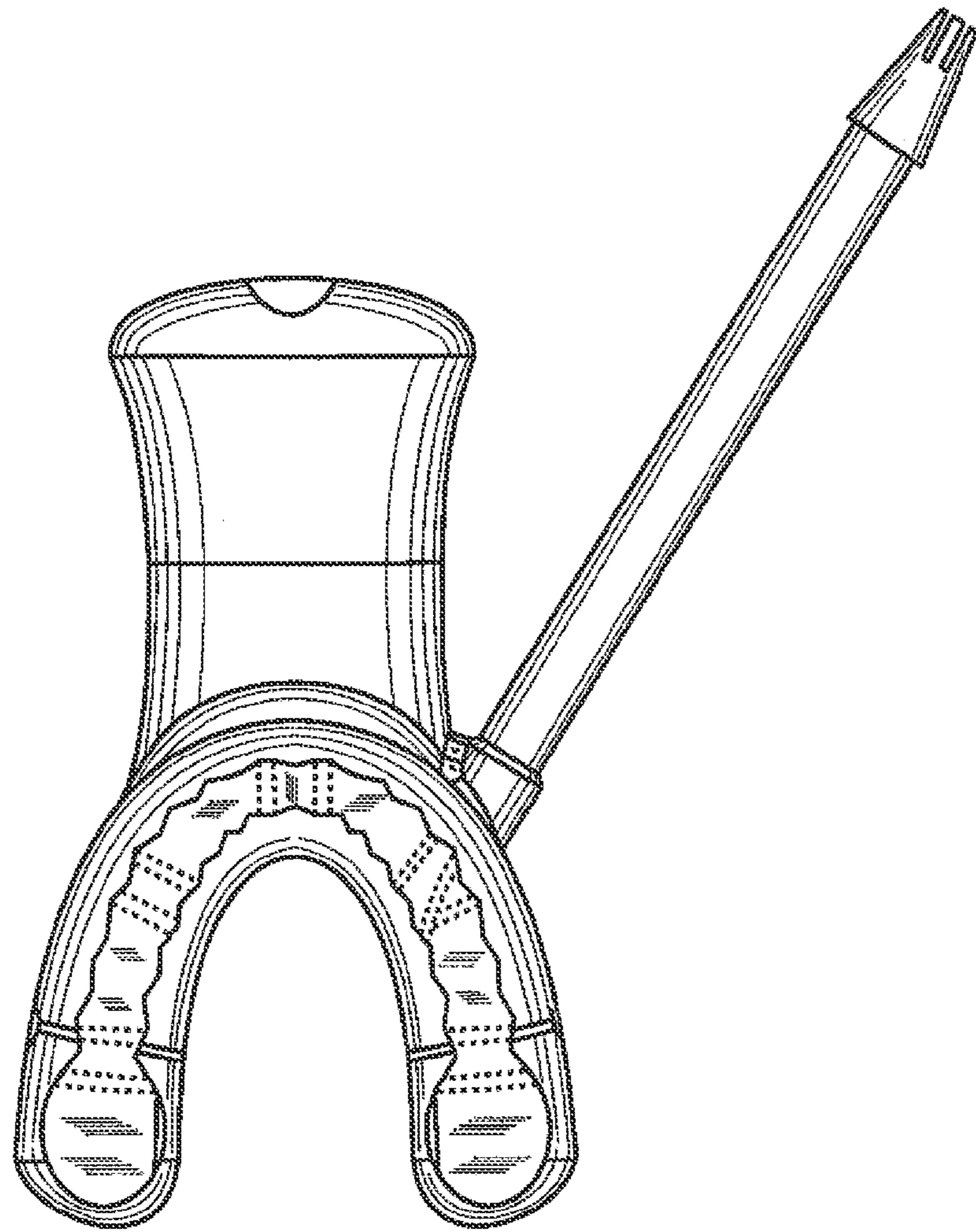




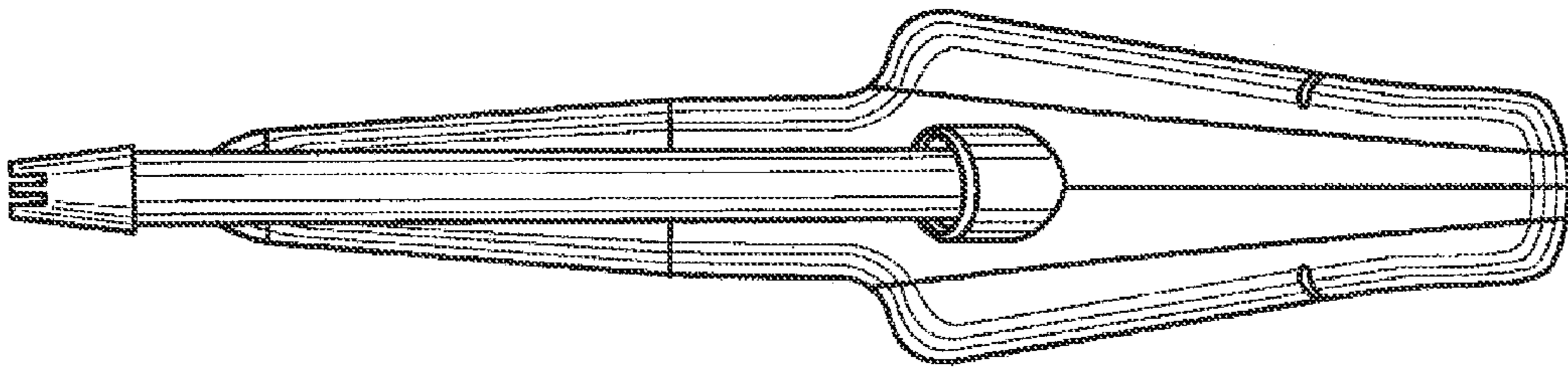
—FIG. 1



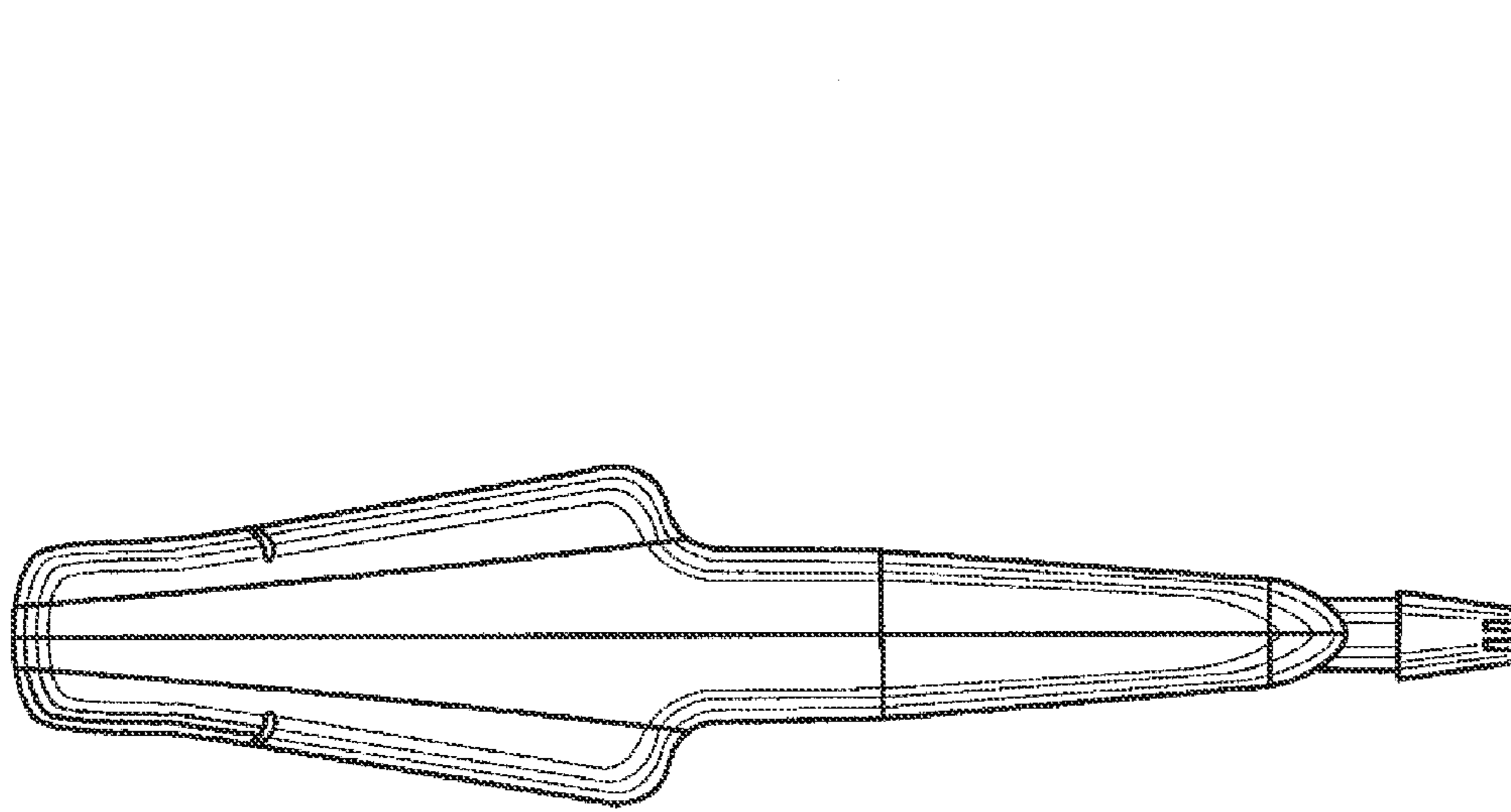
—FIG. 2



—FIG. 3



—FIG. 4



— FIG. 5

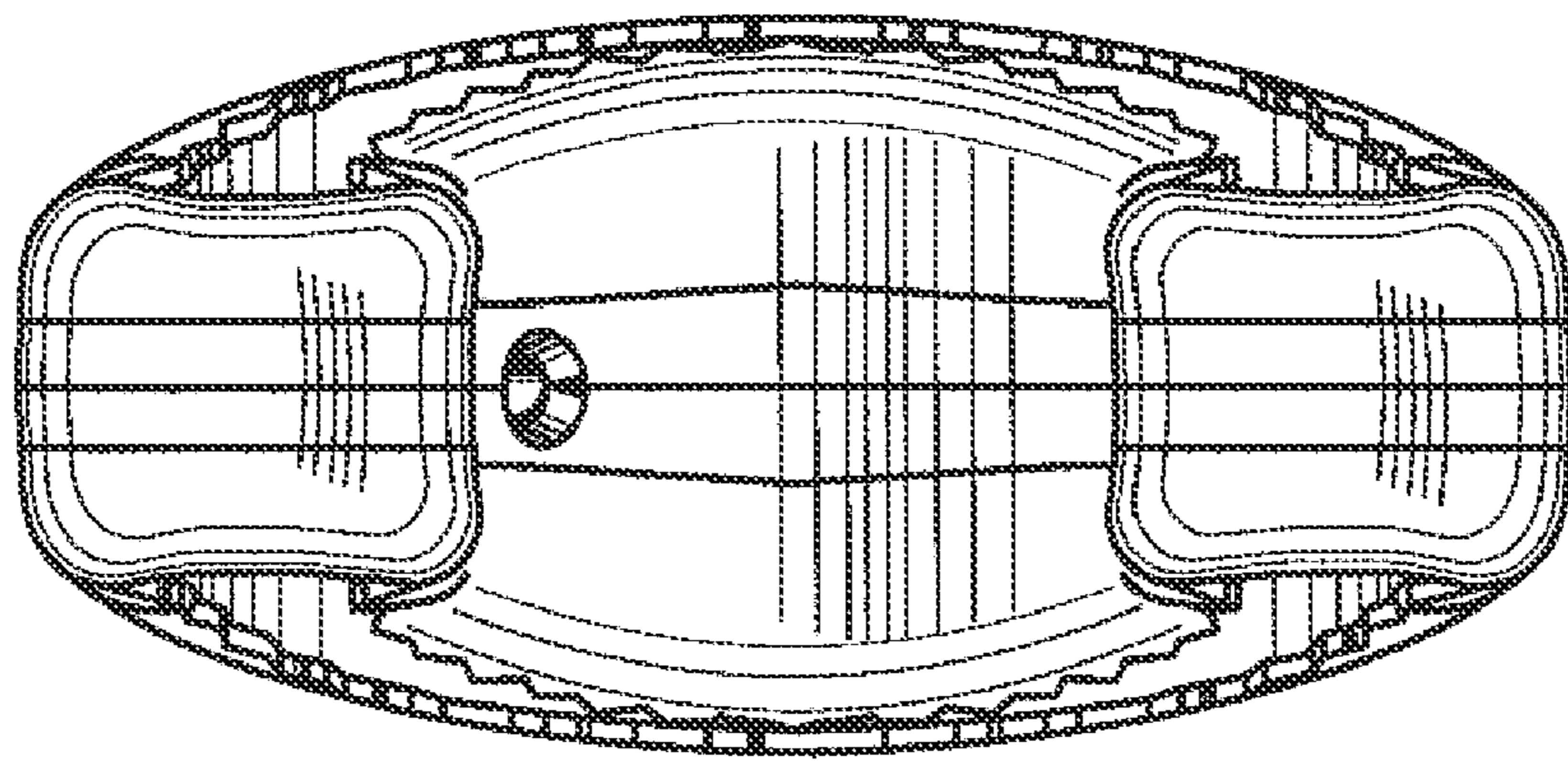
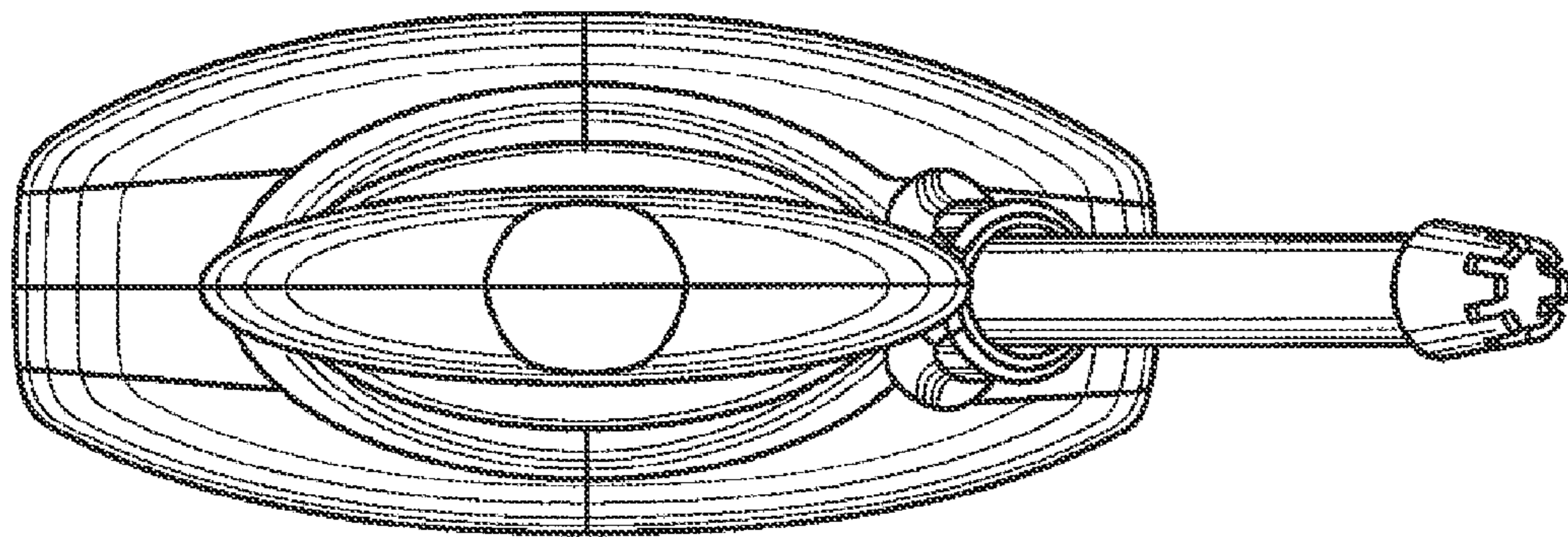


FIG. 6



—FIG. 7

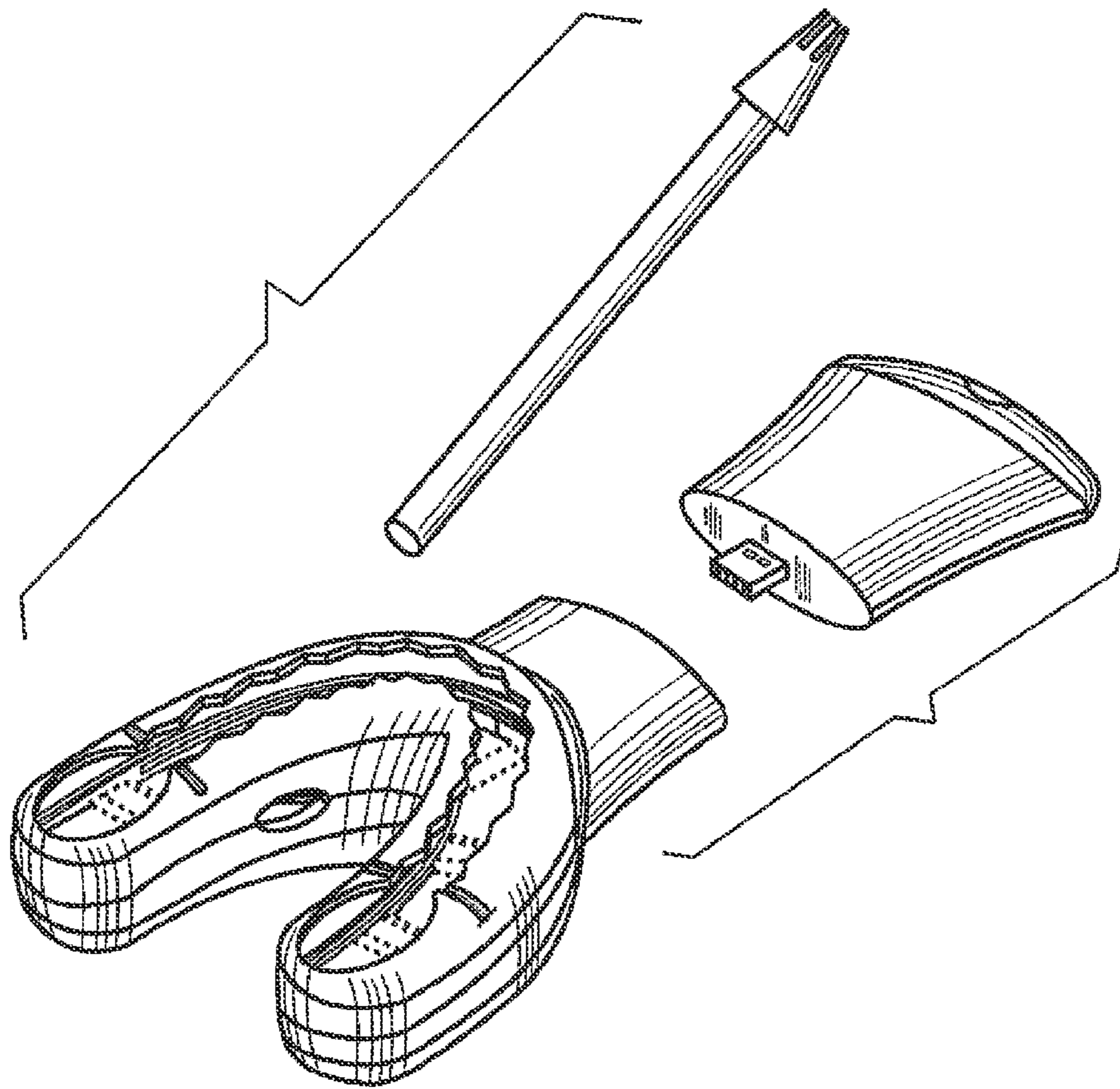
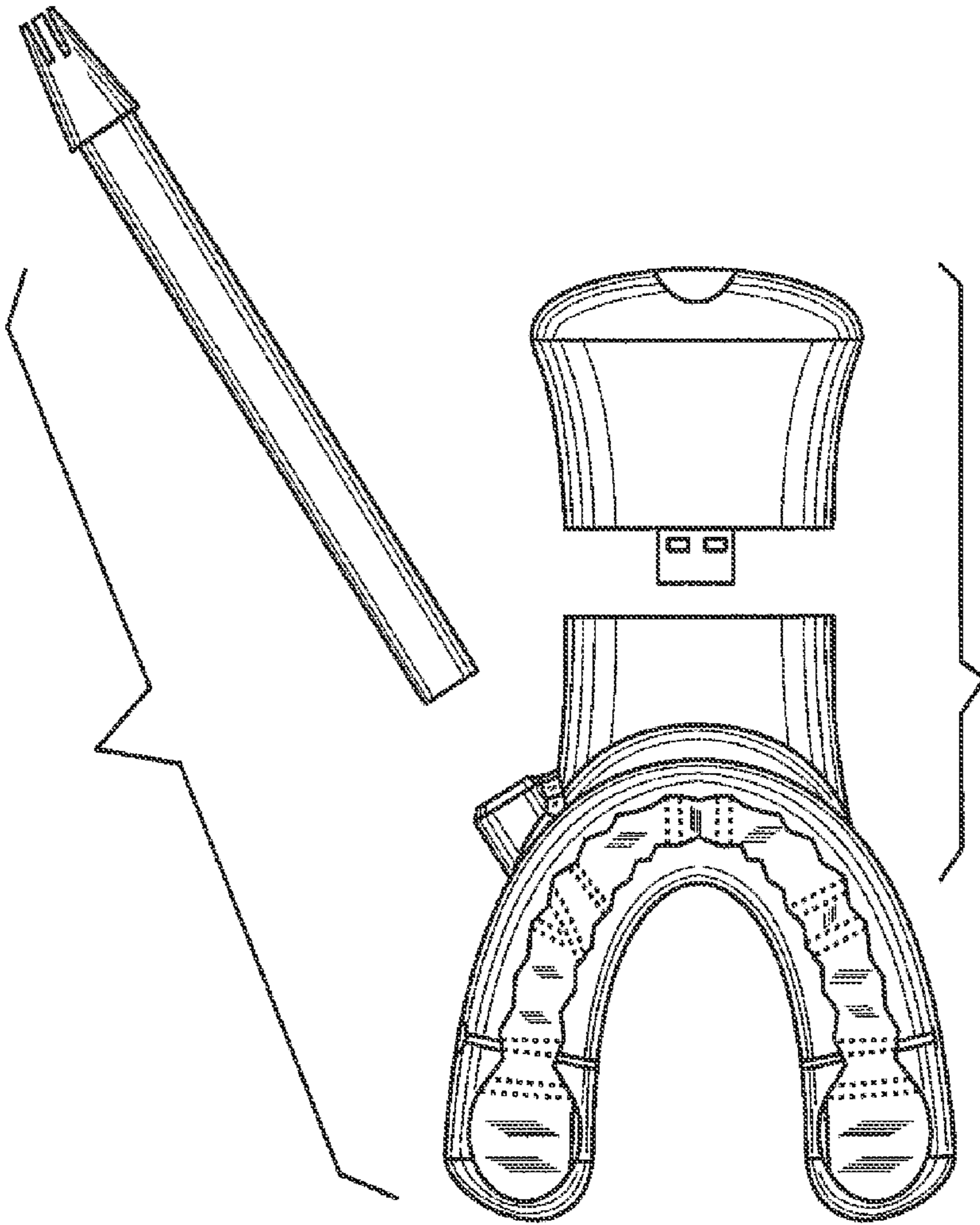


FIG. 8



—FIG. 9

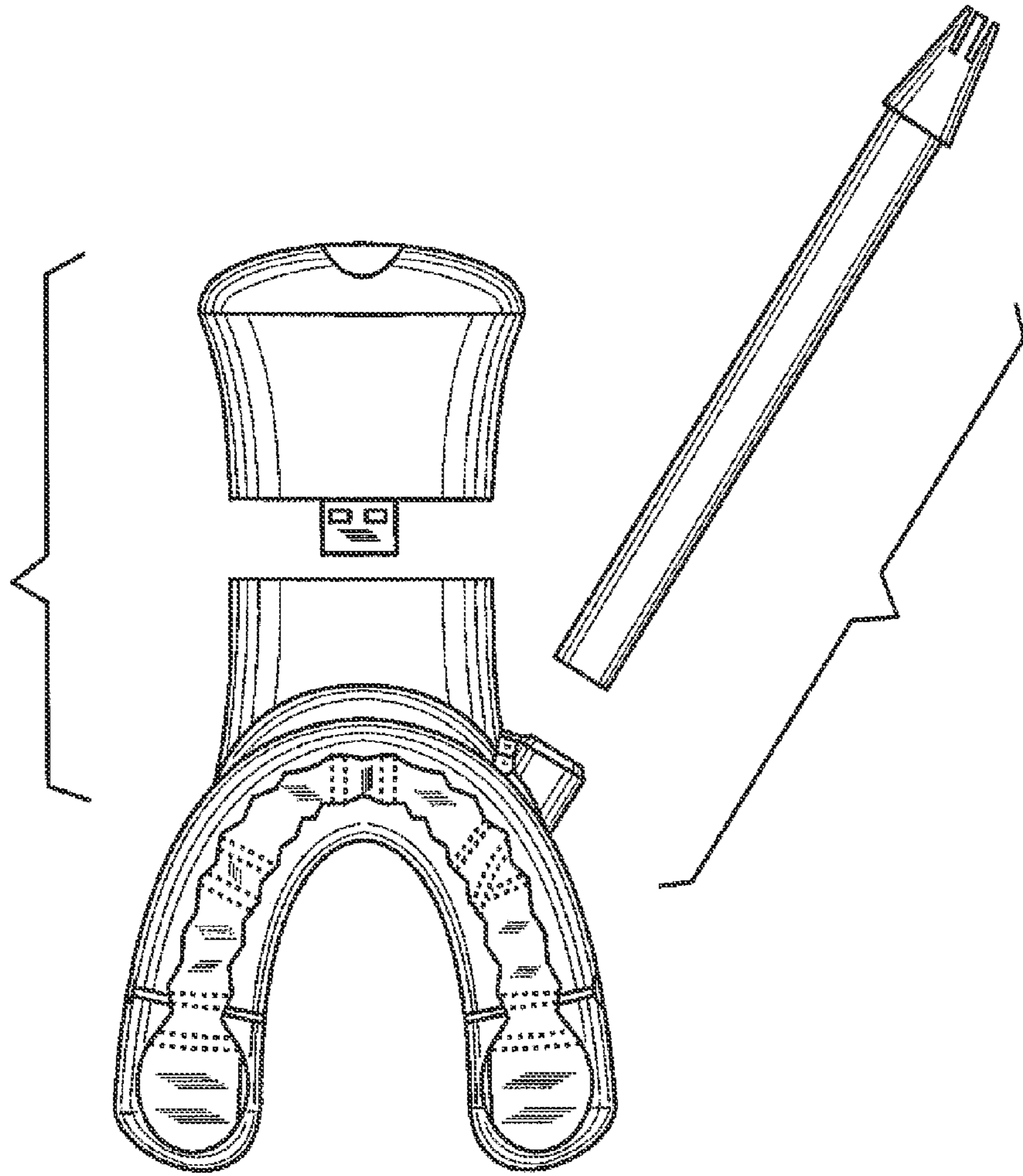


FIG. 10

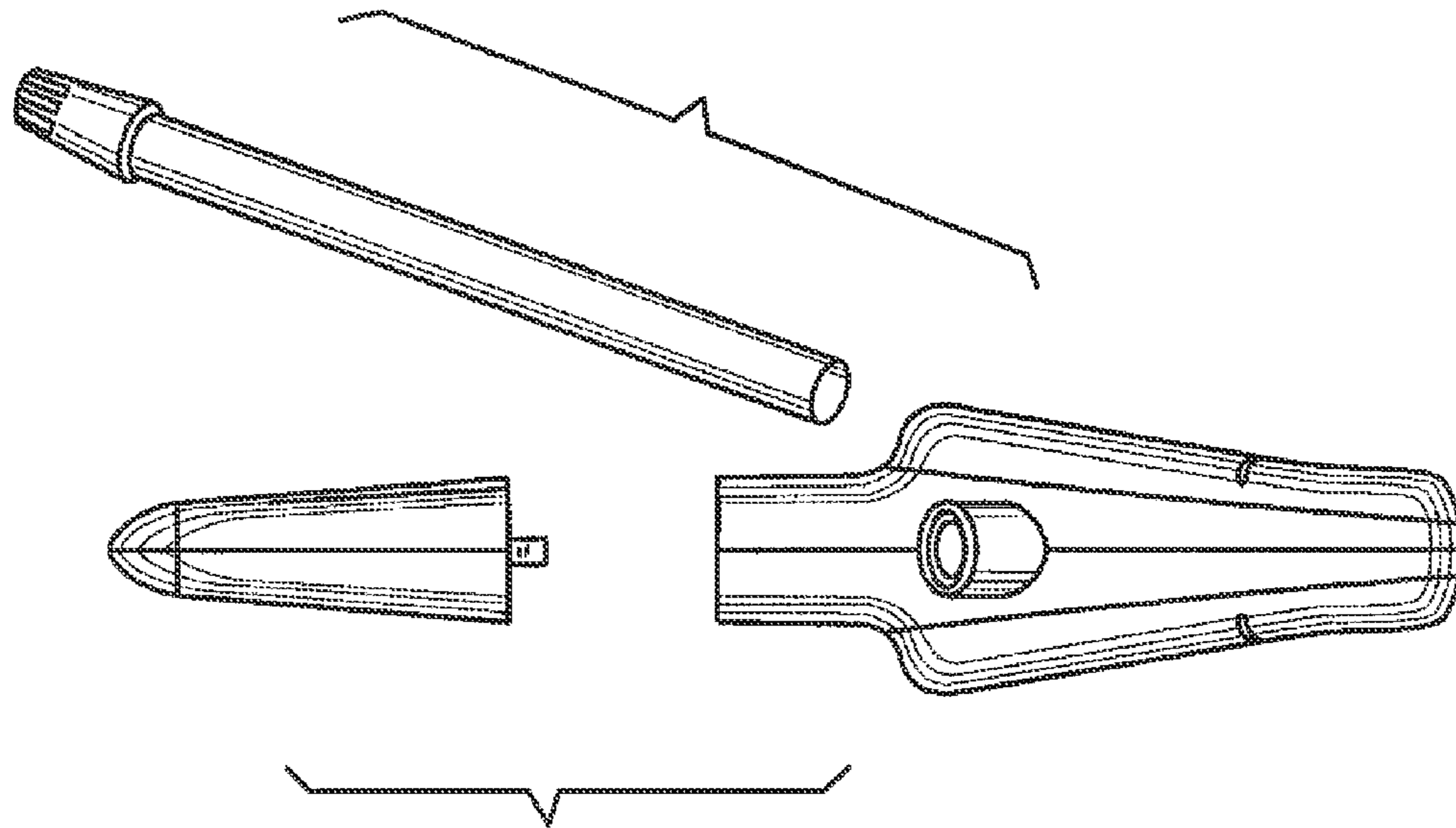
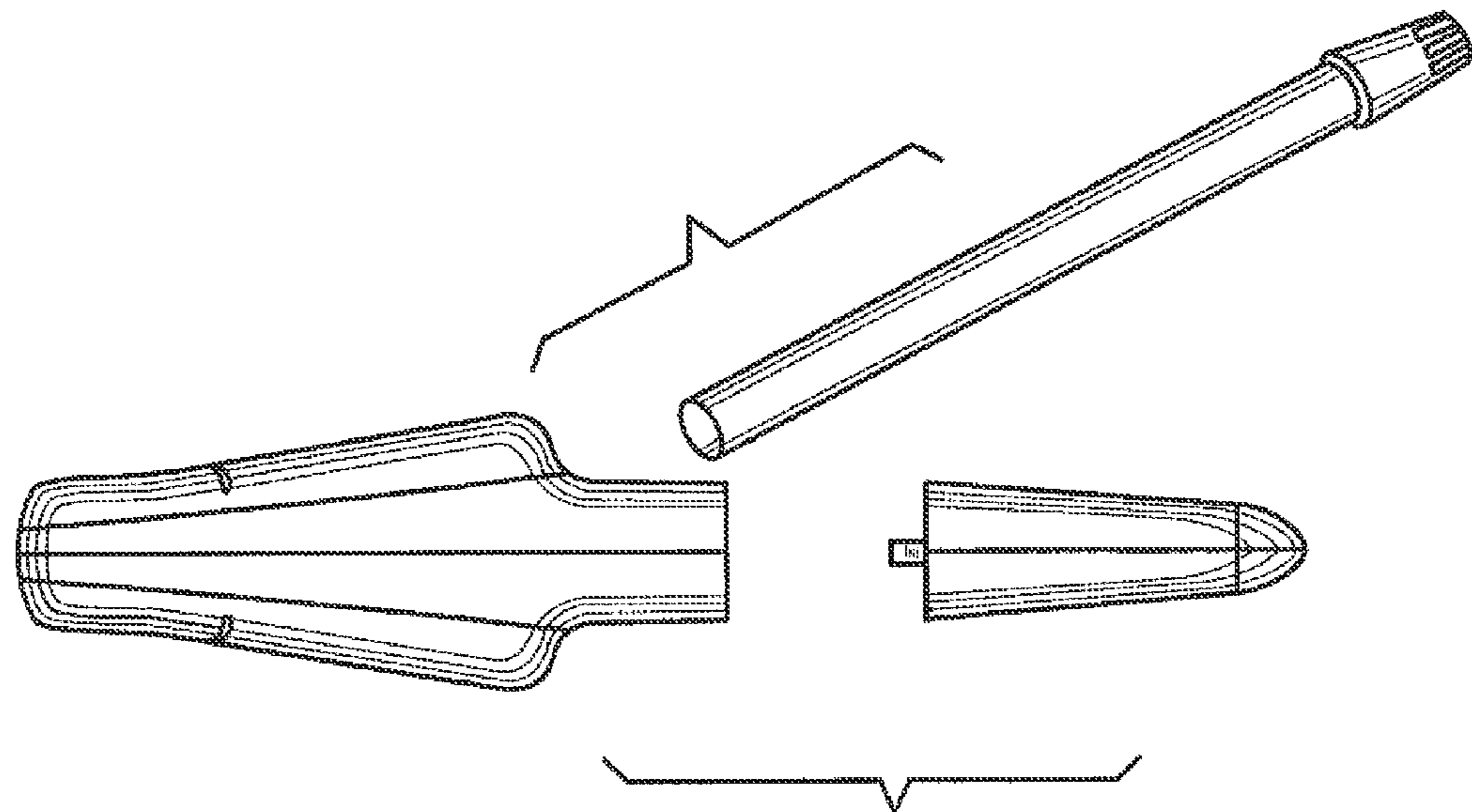


FIG. 11



—FIG. 12