



US00D661798S

(12) **United States Design Patent**
Besse et al.

(10) **Patent No.:** **US D661,798 S**
(45) **Date of Patent:** **** *Jun. 12, 2012**

(54) **HANDLE**

(75) Inventors: **Regis Besse**, Guyancourt (FR); **Yann Thouement**, Les essarts le roi (FR)

(73) Assignee: **Karl Storz GmbH & Co. KG** (DE)

(*) Notice: This patent is subject to a terminal disclaimer.

(**) Term: **14 Years**

(21) Appl. No.: **29/396,074**

(22) Filed: **Jun. 24, 2011**

(30) **Foreign Application Priority Data**

Dec. 27, 2010 (EM) 001798695-0017

(51) **LOC (9) Cl.** **24-02**

(52) **U.S. Cl.** **D24/133**

(58) **Field of Classification Search** D24/133, D24/137, 138, 143, 144, 145, 146, 147, 148, D24/149; D8/51, 57, 107; 606/1, 130, 139, 606/148, 174, 175, 205; 600/104
See application file for complete search history.

(56) **References Cited**

U.S. PATENT DOCUMENTS

D370,064 S * 5/1996 Livneh D24/146
D403,767 S * 1/1999 Croley D24/133
D424,694 S * 5/2000 Tetzlaff et al. D24/143

D449,886 S * 10/2001 Tetzlaff et al. D24/144
D541,416 S * 4/2007 Baehr et al. D24/133
D557,415 S * 12/2007 Bacher D24/133
D562,450 S * 2/2008 Wehrstein et al. D24/133
D580,548 S * 11/2008 Mouret D24/133
D624,646 S * 9/2010 Peschke et al. D24/133
D632,785 S * 2/2011 Risoli D24/133
D632,786 S * 2/2011 Risoli D24/133
D633,613 S * 3/2011 Risoli D24/133
2006/0004406 A1 * 1/2006 Wehrstein et al. 606/205

* cited by examiner

Primary Examiner — Bridget L Eland

(74) *Attorney, Agent, or Firm* — St. Onge Steward Johnston & Reens LLC

(57) **CLAIM**

The ornamental design for a handle, as shown and described.

DESCRIPTION

FIG. 1 is a top perspective view of a handle in accordance with the new design;

FIG. 2 is a top plan view thereof;

FIG. 3 is a bottom plan view thereof;

FIG. 4 is a left side elevation view thereof;

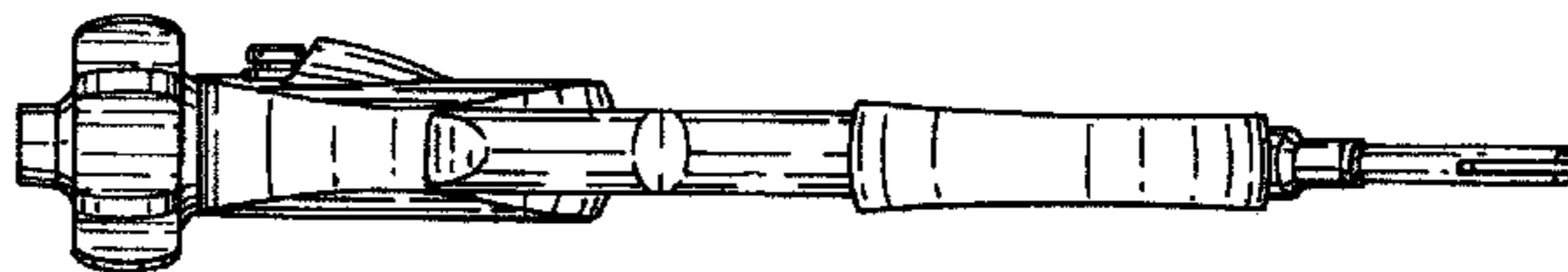
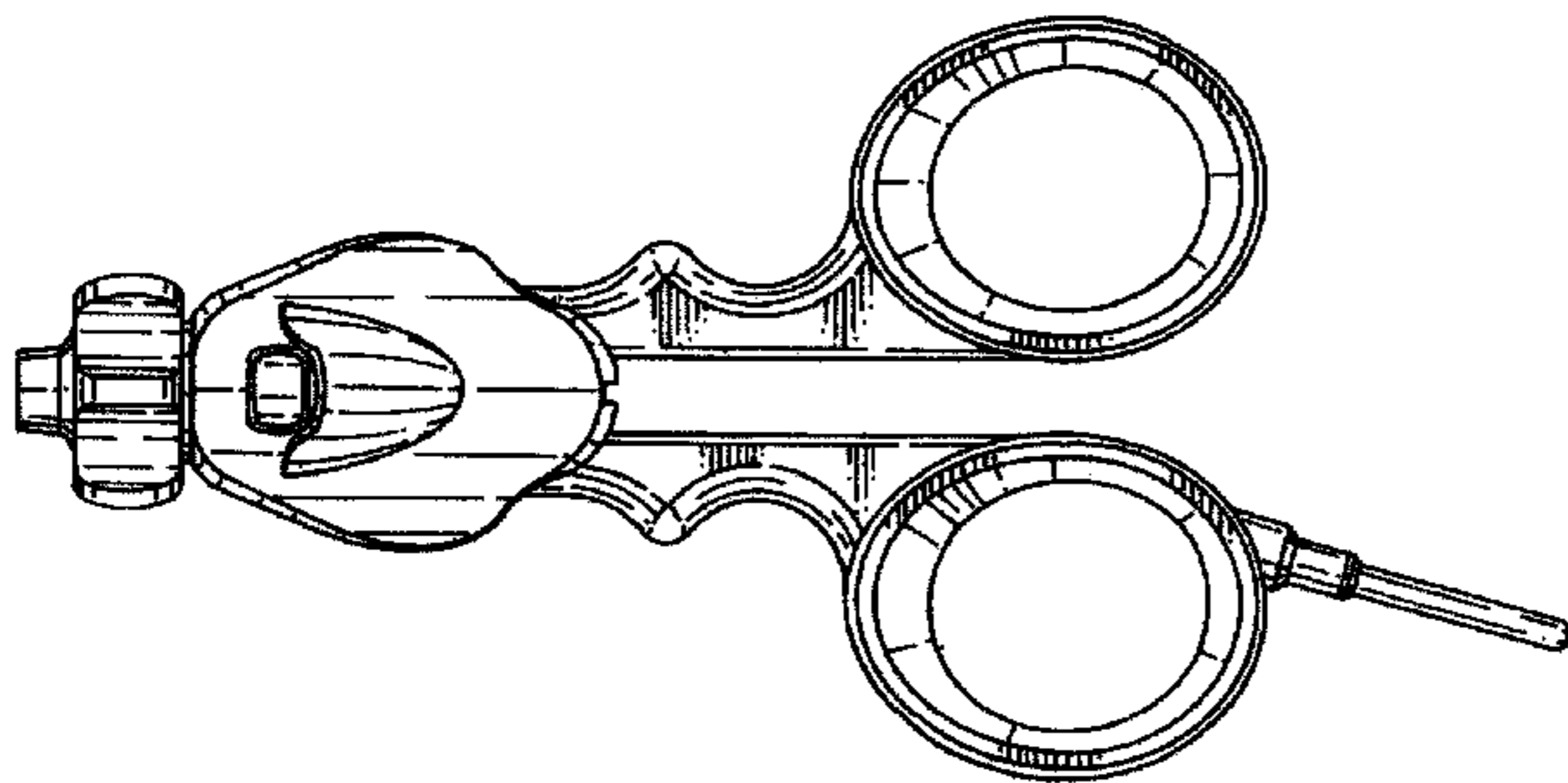
FIG. 5 is a right side elevation view thereof;

FIG. 6 is a front elevation view thereof; and,

FIG. 7 is a rear elevation view thereof.

The broken lines immediately adjacent to the shaded areas in FIGS. 1, 6 and 7 represent the bounds of the claimed design, with the lines themselves and areas within them forming no part of the claimed design.

1 Claim, 5 Drawing Sheets



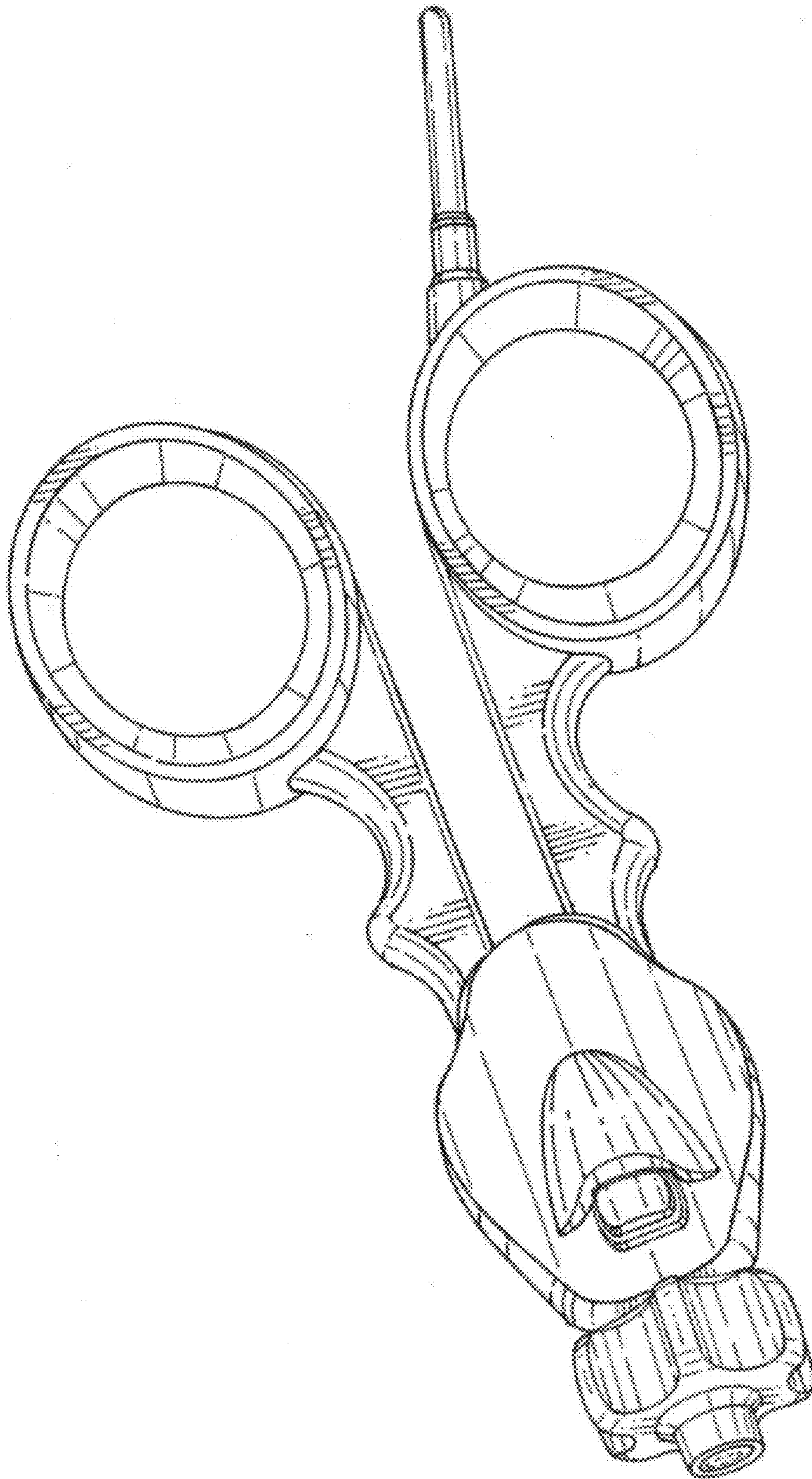


FIG. 1

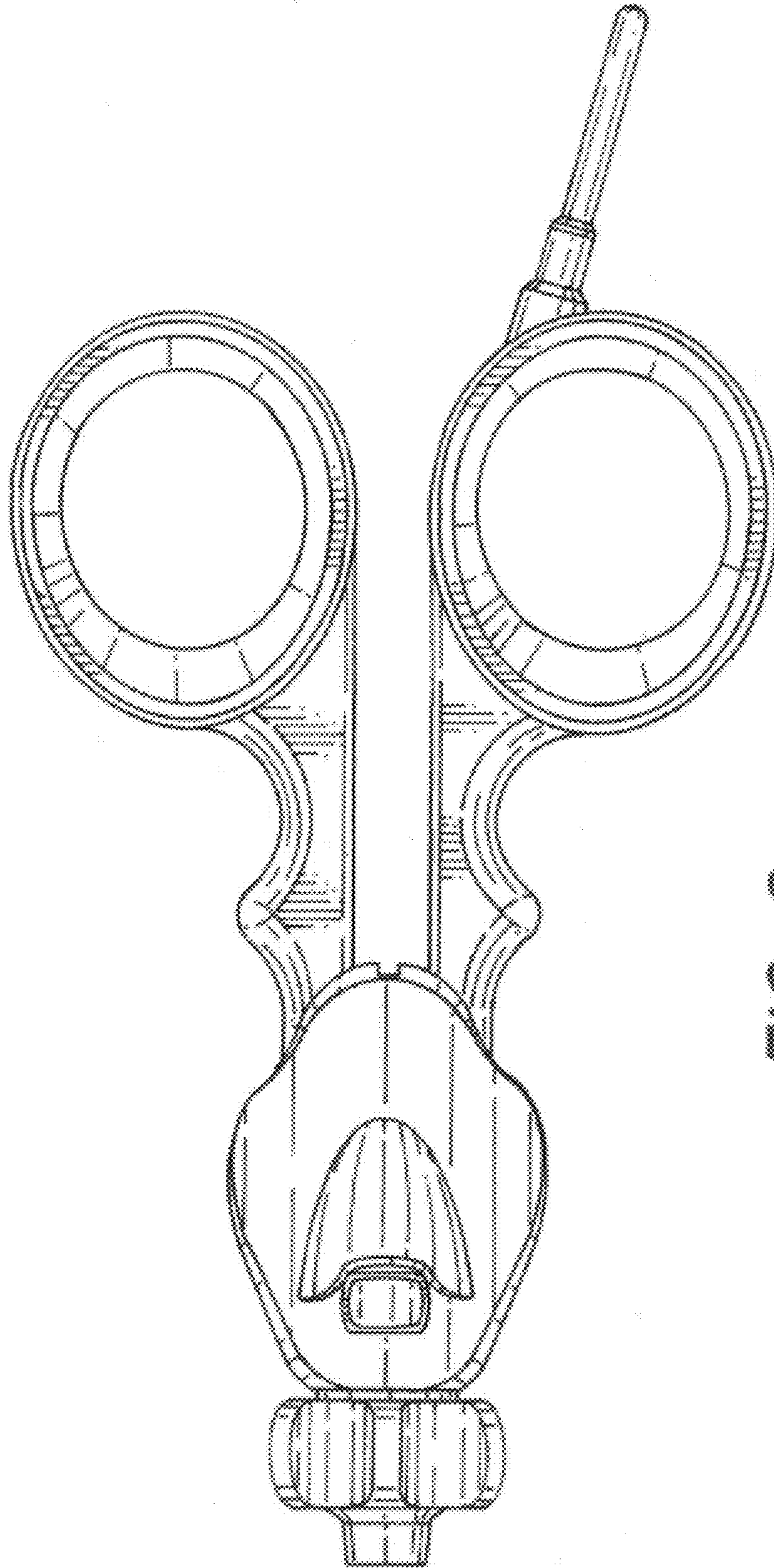


FIG. 2

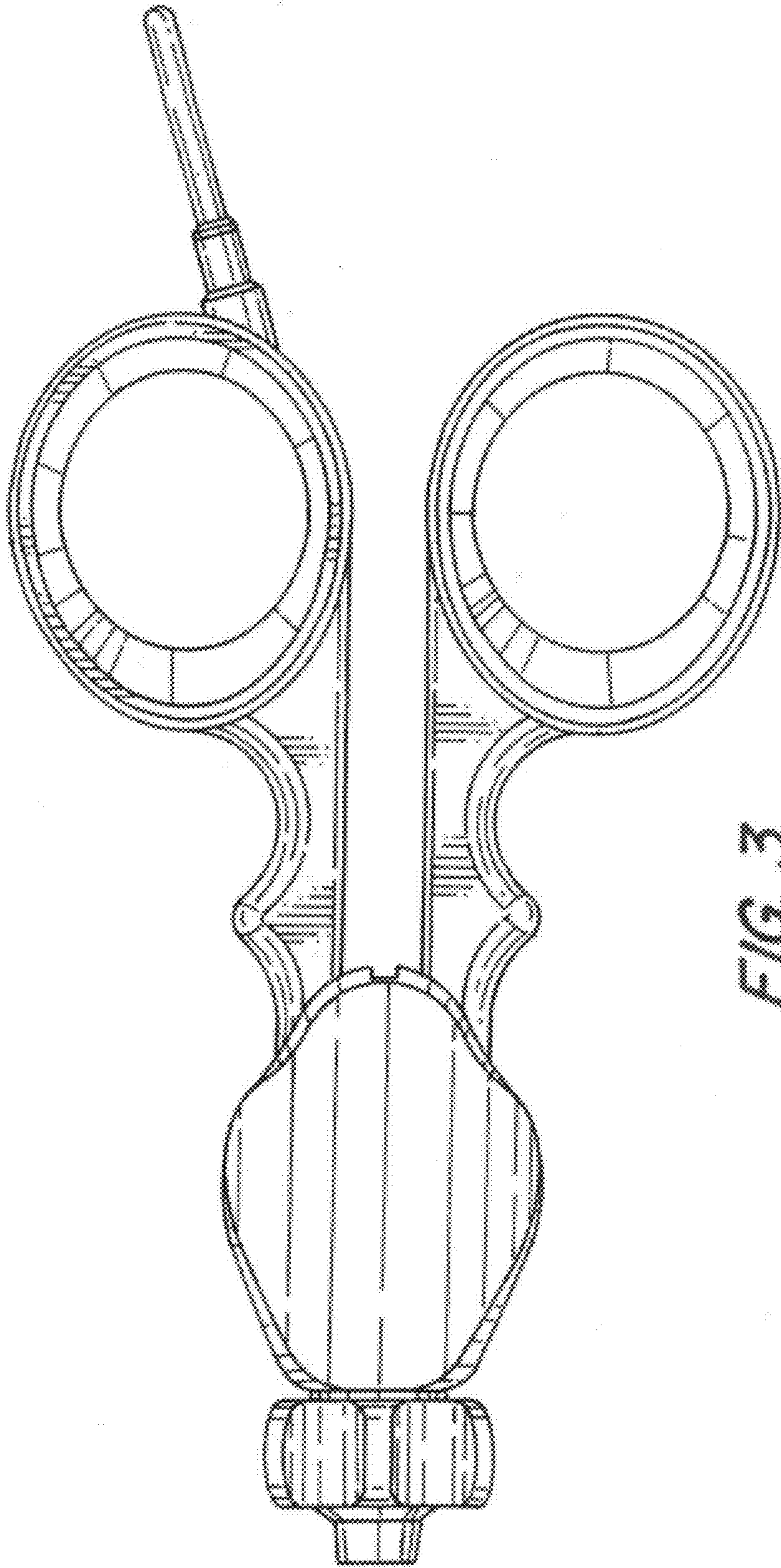


FIG. 3

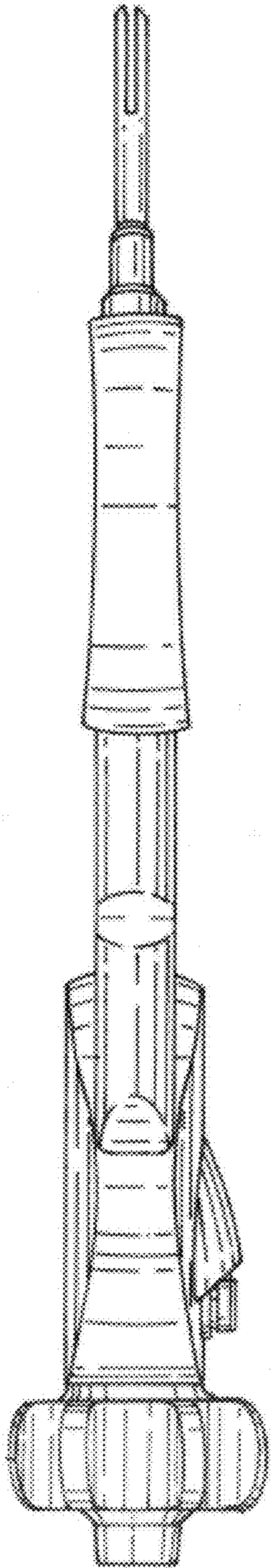


FIG. 4

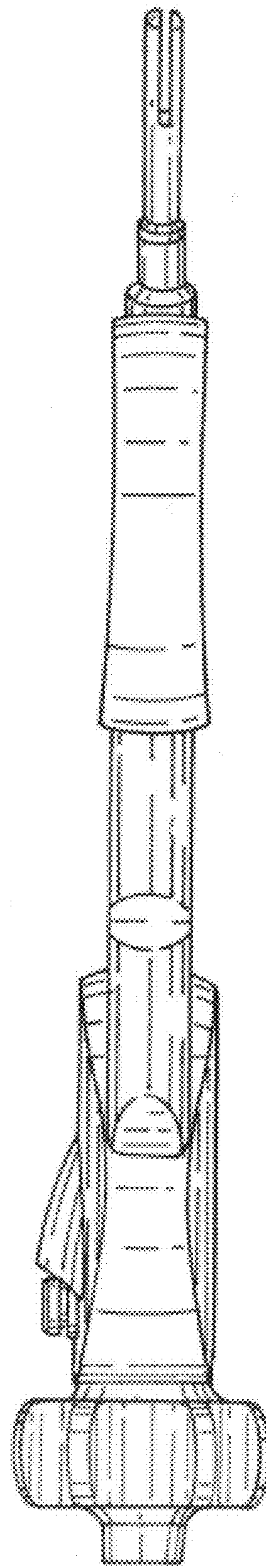


FIG. 5

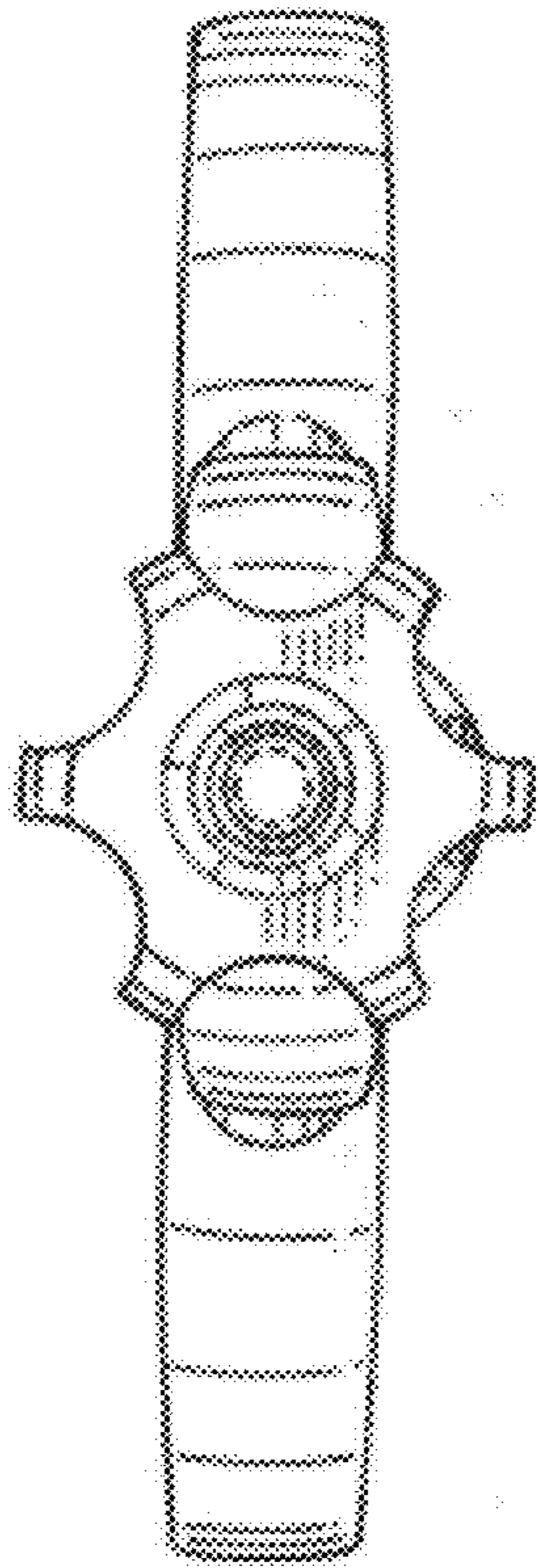


FIG. 6

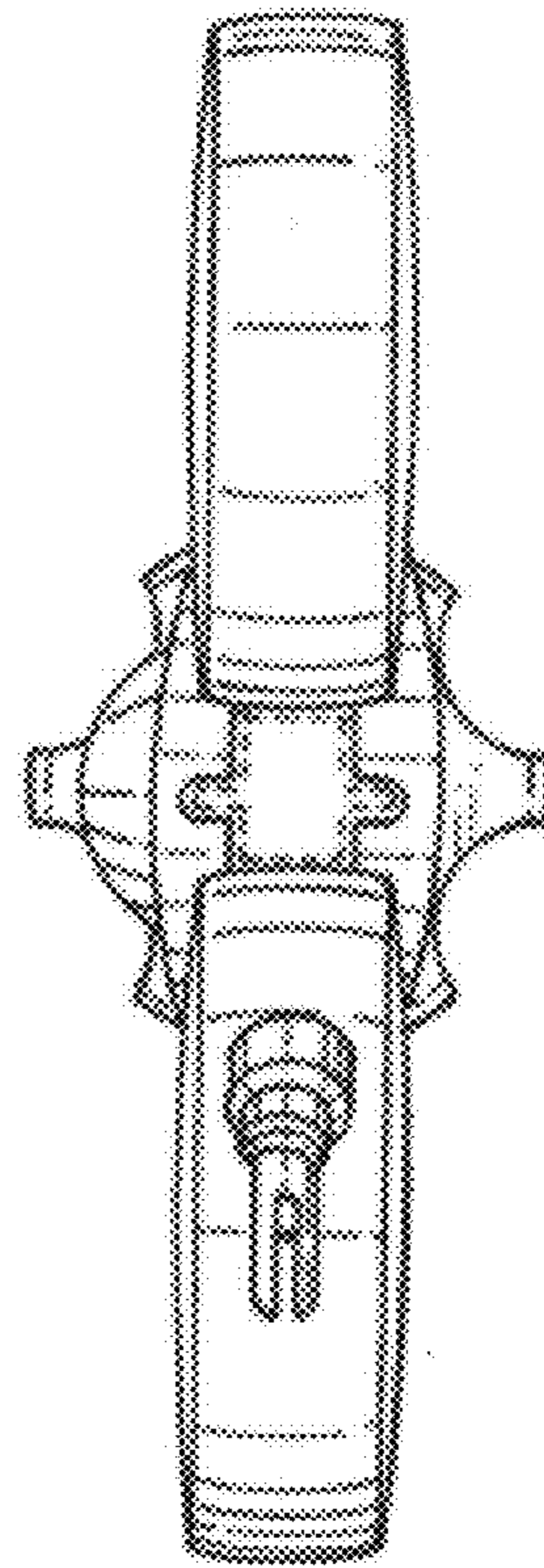


FIG. 7