

US00D661789S

(12) **United States Design Patent**
Brown

(10) **Patent No.:** **US D661,789 S**
(45) **Date of Patent:** **** Jun. 12, 2012**

(54) **COVERING FOR A FRAGRANCE DIFFUSER**

(75) Inventor: **Laura K. Brown**, Somersworth, NH
(US)
(73) Assignee: **Sirenterprises LLC**, Somersworth, NH
(US)

(**) Term: **14 Years**

(21) Appl. No.: **29/380,557**

(22) Filed: **Dec. 7, 2010**

(51) **LOC (9) Cl.** **28-99**

(52) **U.S. Cl.** **D23/366**

(58) **Field of Classification Search** D23/355-369;
D28/5, 6; 261/DIG. 17, DIG. 42, DIG. 47,
261/DIG. 55, DIG. 65, DIG. 70, DIG. 88,
261/DIG. 89; 392/386, 390, 392, 394, 395;
239/34, 44, 53, 56, 60, 308, 326

See application file for complete search history.

(56) **References Cited**

U.S. PATENT DOCUMENTS

2,101,526 A * 12/1937 Bryant 294/33
(Continued)

Primary Examiner — Sandra Snapp
(74) *Attorney, Agent, or Firm* — William A. Loginov, Esq.;
Loginov & Associates, PLLC

(57) **CLAIM**

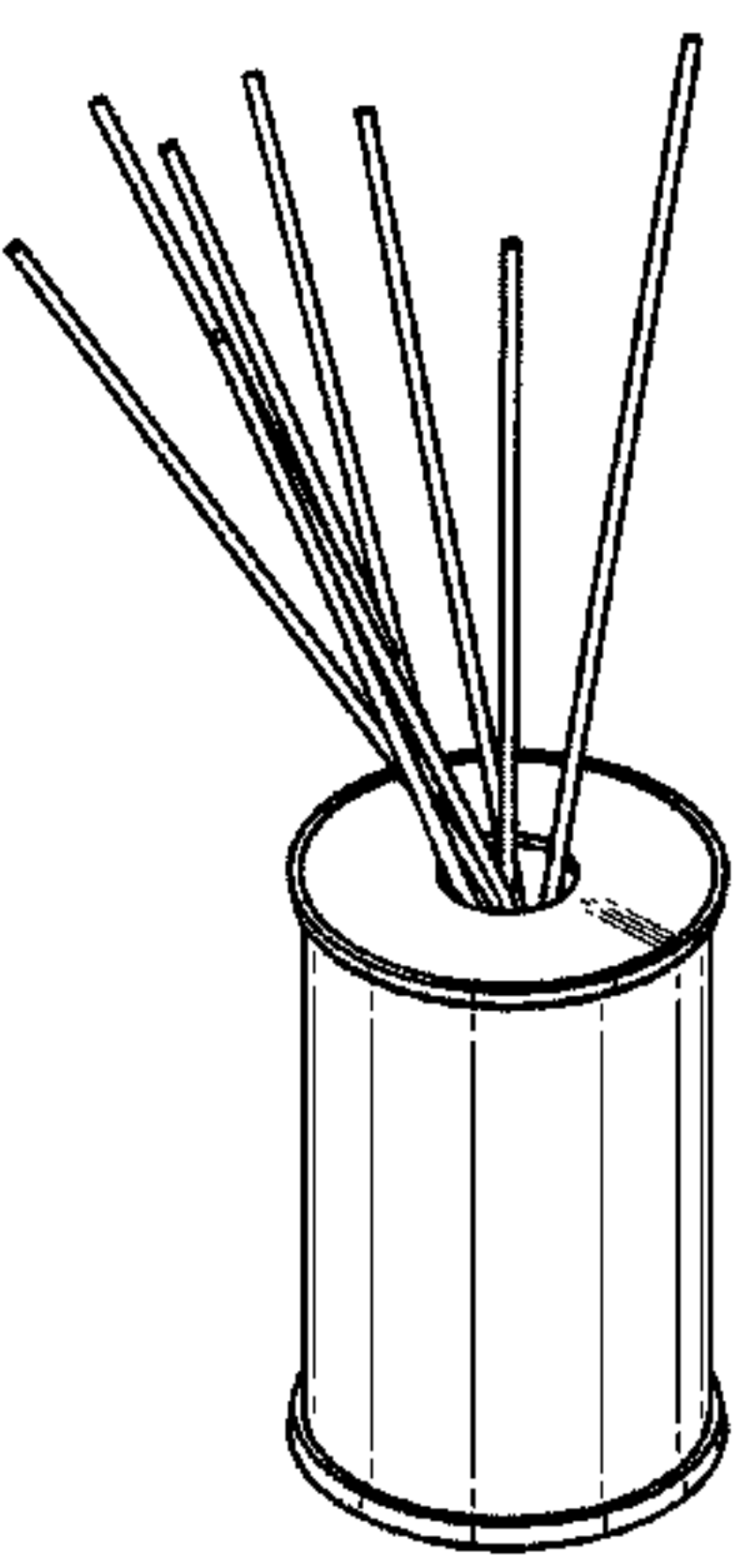
The ornamental design for a covering for a fragrance diffuser,
substantially as shown.

DESCRIPTION

FIG. 1 is a perspective view of a covering for a fragrance
diffuser with multiple diffusion wicks, according to a first
embodiment;
FIG. 2 is a front view of the covering for a fragrance diffuser
with multiple diffusion wicks, according to the first embodi-
ment;

FIG. 3 is a rear view of the covering for a fragrance diffuser
with multiple diffusion wicks, according to the first embodi-
ment;
FIG. 4 is a right side view of the covering for a fragrance
diffuser with multiple diffusion wicks, according to the first
embodiment;
FIG. 5 is a left side view of the covering for a fragrance
diffuser with multiple diffusion wicks, according to the first
embodiment;
FIG. 6 is a top view of the covering for a fragrance diffuser
with multiple diffusion wicks, according to the first embodi-
ment;
FIG. 7 is a bottom view of the covering for a fragrance
diffuser with multiple diffusion wicks, according to the first
embodiment;
FIG. 8 is a perspective view of a covering for a fragrance
diffuser with multiple diffusion wicks represented by broken
lines, according to a second embodiment;
FIG. 9 is a front view of the covering for a fragrance diffuser
with multiple diffusion wicks represented by broken lines,
according to the second embodiment;
FIG. 10 is a rear view of the covering for a fragrance diffuser
with multiple diffusion wicks represented by broken lines,
according to the second embodiment;
FIG. 11 is a right side view of the covering for a fragrance
diffuser with multiple diffusion wicks represented by broken
lines, according to the second embodiment;
FIG. 12 is a left side view of the covering for a fragrance
diffuser with multiple diffusion wicks represented by broken
lines, according to the second embodiment;
FIG. 13 is a top view of the covering for a fragrance diffuser
with multiple diffusion wicks represented by broken lines,
according to the second embodiment; and,
FIG. 14 is a bottom view of the covering for a fragrance
diffuser with multiple diffusion wicks represented by broken
lines, according to the second embodiment.
The covering for a fragrance diffuser material is an opaque or
translucent polymer material and blocks the view of the bottle
containing aromatic liquid.
The broken line elements in all views are for illustrative and
environmental purposes only and form no part of the claimed
design.

1 Claim, 6 Drawing Sheets



US D661,789 S

Page 2

U.S. PATENT DOCUMENTS

3,867,738	A *	2/1975	Garner	294/27.1	D582,534	S	12/2008	Conway et al.	
D299,698	S *	2/1989	DeBose, Jr.	D9/558	D596,732	S *	7/2009	Butler et al.	D23/366
4,860,908	A *	8/1989	Rumble et al.	220/667	D604,181	S *	11/2009	Reimer	D9/766
D313,261	S *	12/1990	Satoh et al.	D21/594	D605,060	S *	12/2009	Reimer	D9/766
D321,128	S *	10/1991	DeBose, Jr.	D9/741	D605,746	S *	12/2009	Butler et al.	D23/366
D328,011	S *	7/1992	Rickabaugh	D7/612	D611,203	S *	3/2010	Jager	D30/160
D361,375	S	8/1995	Gallagher et al.		D620,574	S *	7/2010	Jorgensen	D23/366
D434,481	S *	11/2000	Bornstein et al.	D23/360	7,819,336	B2 *	10/2010	Newman	239/44
6,144,801	A	11/2000	Lehoux et al.		2002/0067038	A1	6/2002	Tran	
D438,606	S *	3/2001	Jackson	D23/355	2003/0213810	A1	11/2003	Wu	
D439,318	S *	3/2001	Jackson	D23/355	2008/0308648	A1 *	12/2008	Pesu	239/44
D439,644	S *	3/2001	Jackson	D23/355	2009/0039174	A1 *	2/2009	Gaines et al.	239/44
D499,651	S *	12/2004	Gong	D9/738	2010/0044458	A1	2/2010	Zabari	
D581,035	S	11/2008	Conway et al.						

* cited by examiner

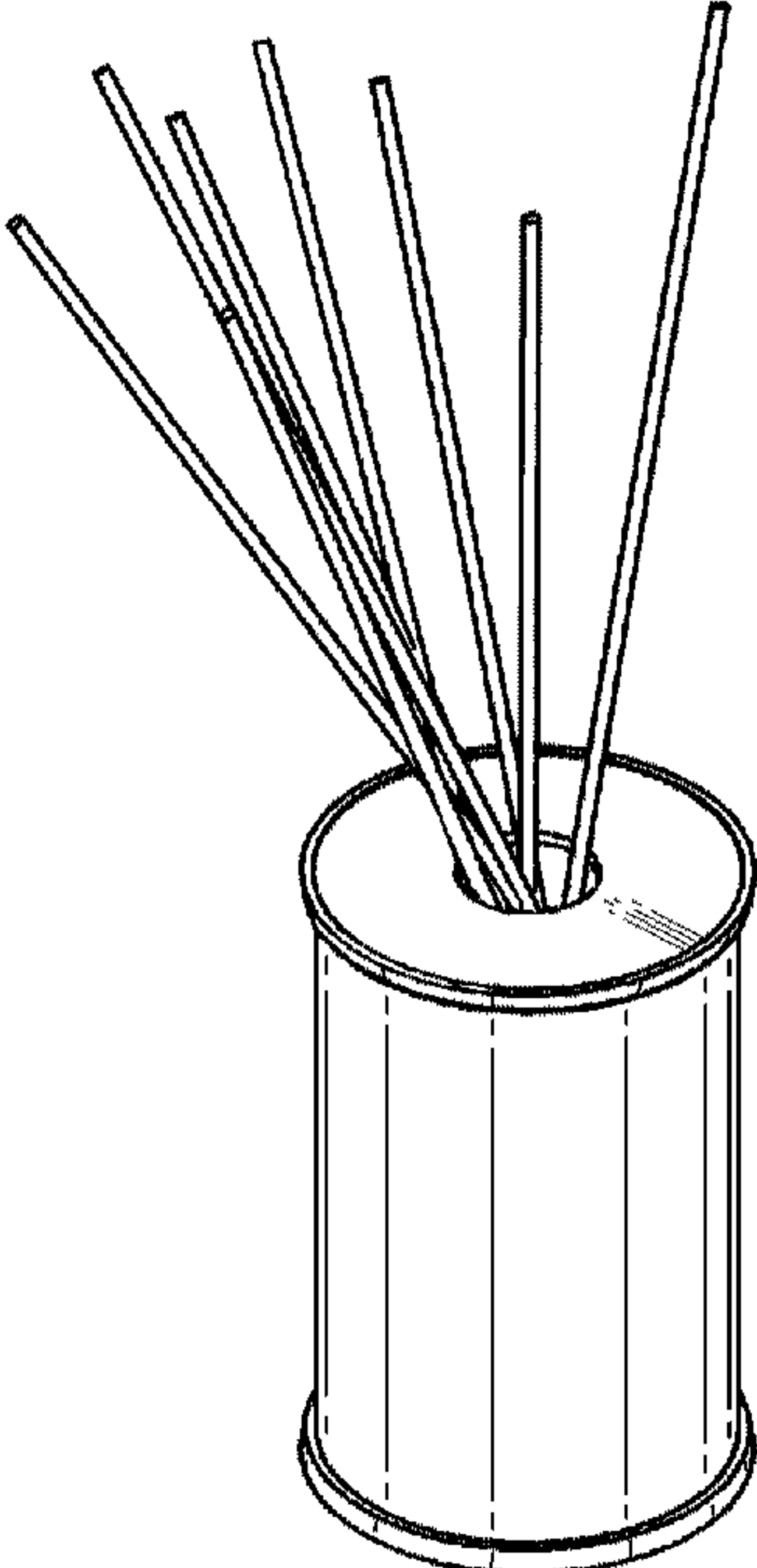


Fig. 1

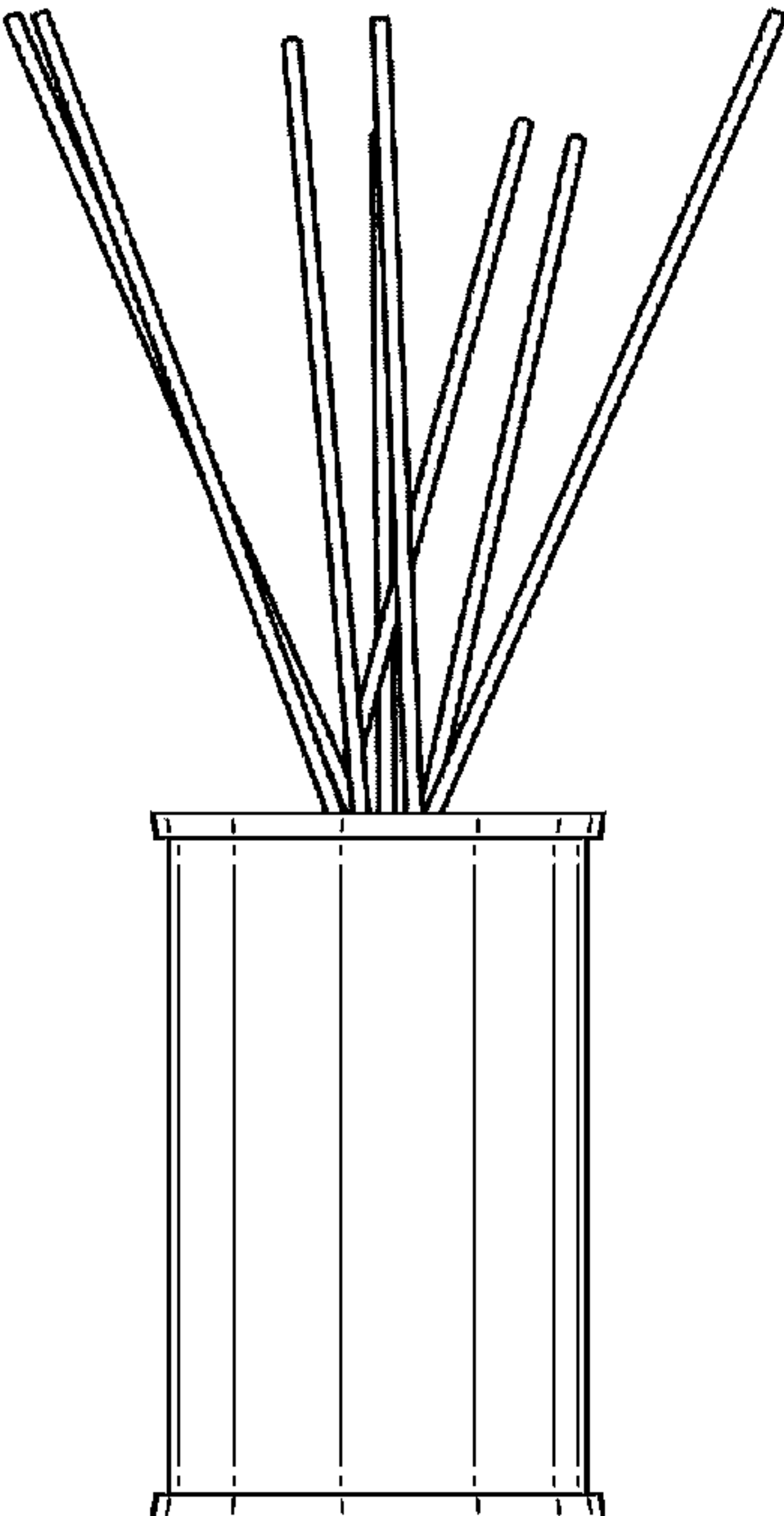


Fig. 2

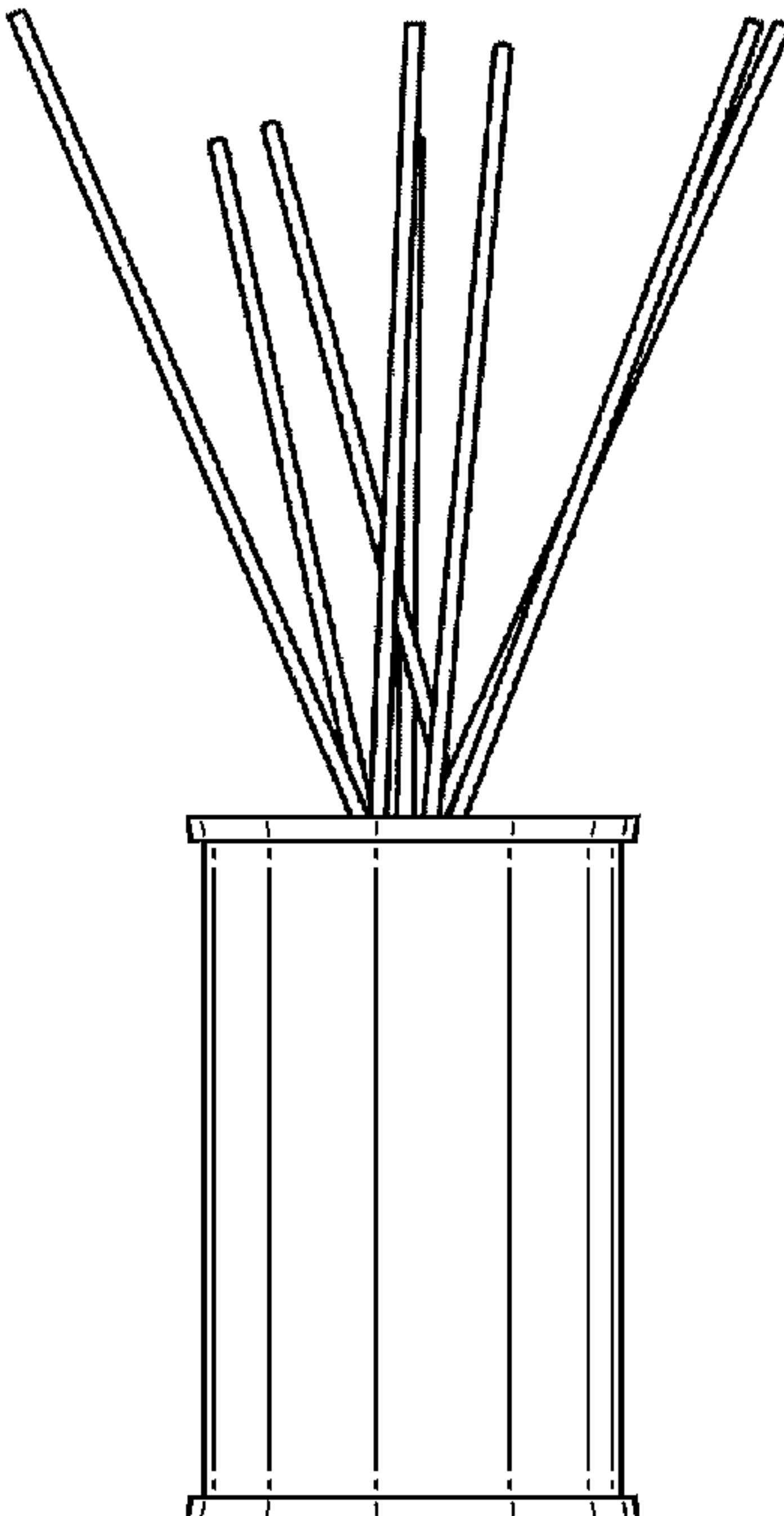


Fig. 3

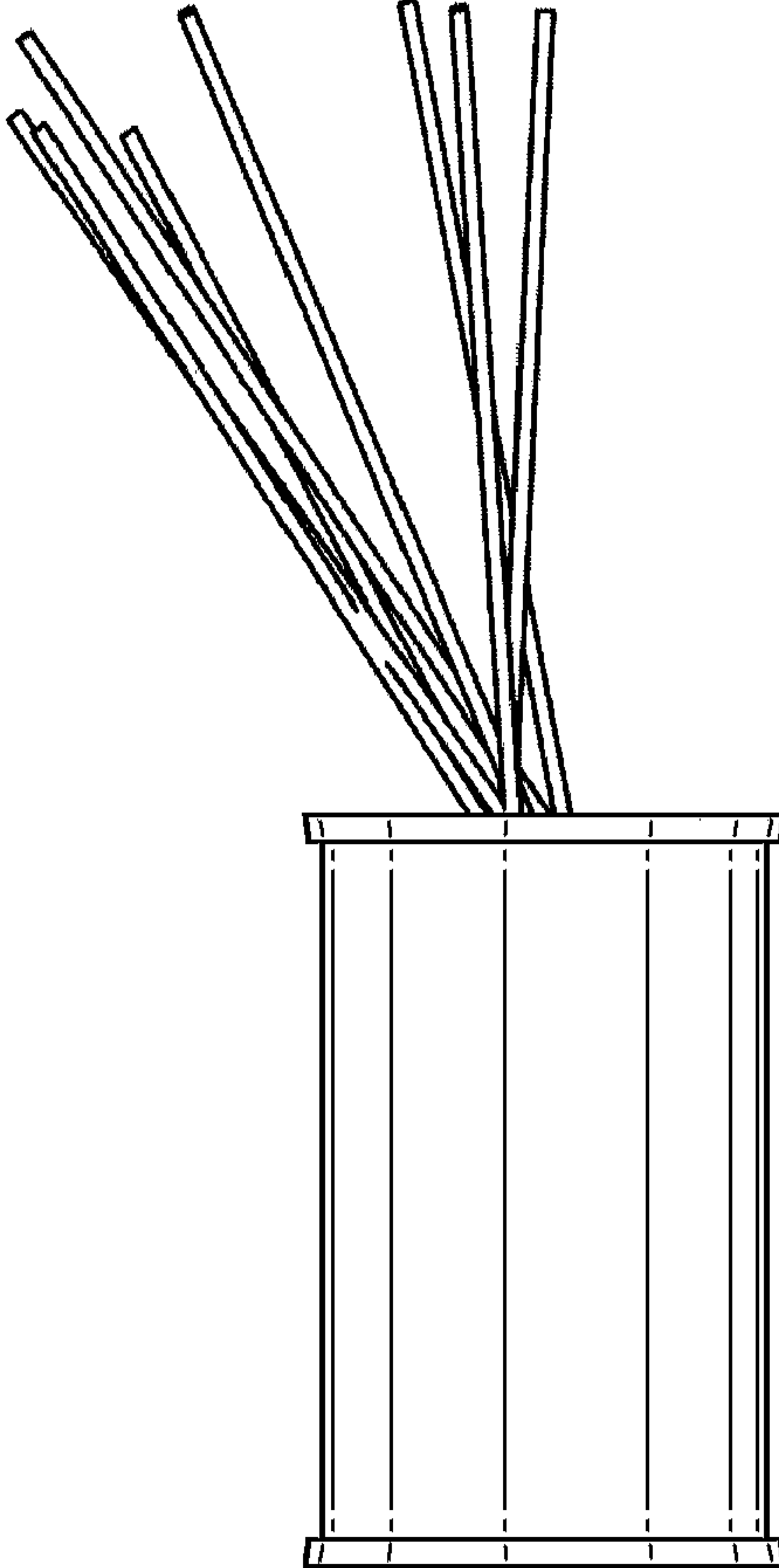


Fig. 4

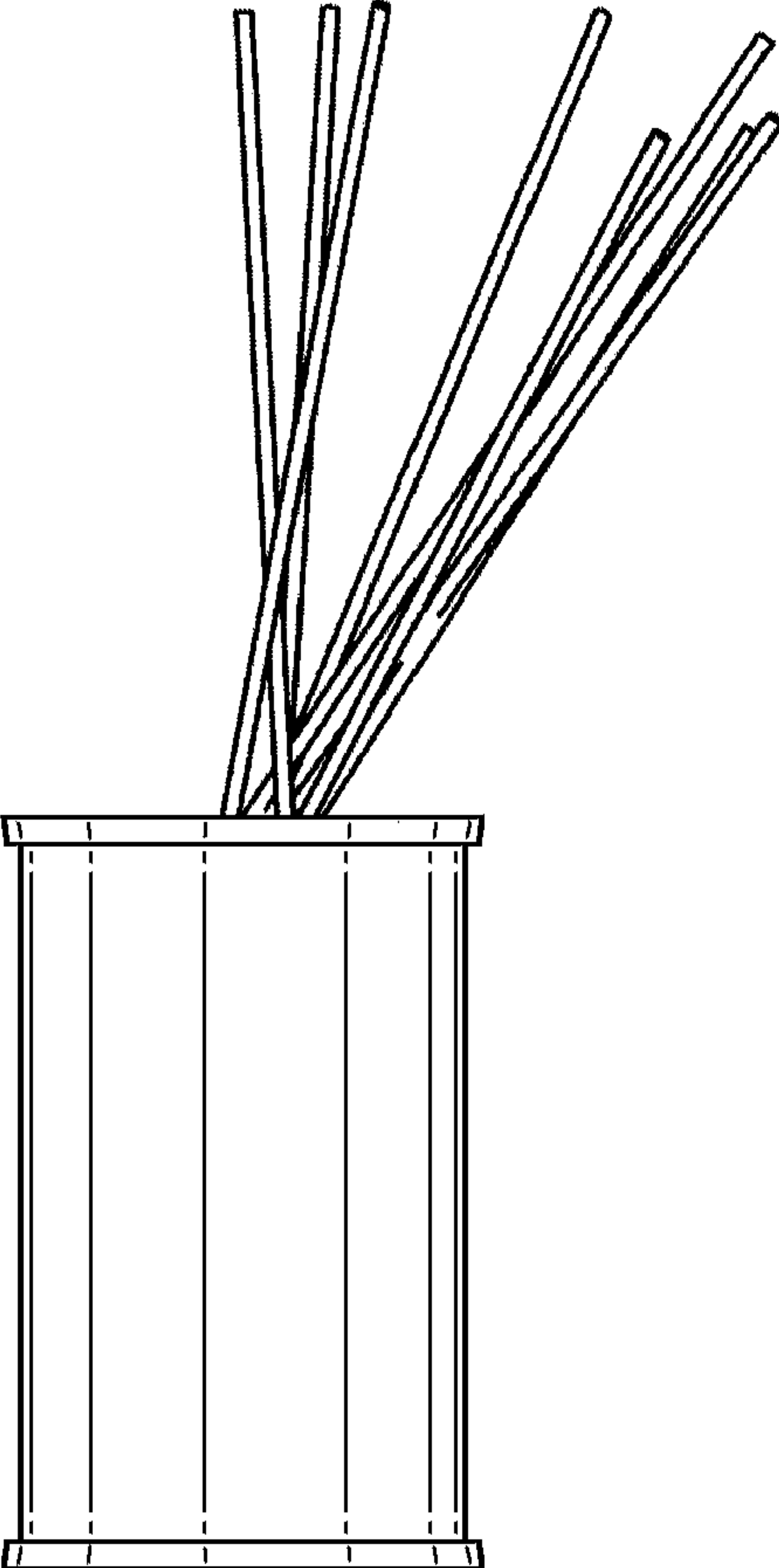


Fig. 5

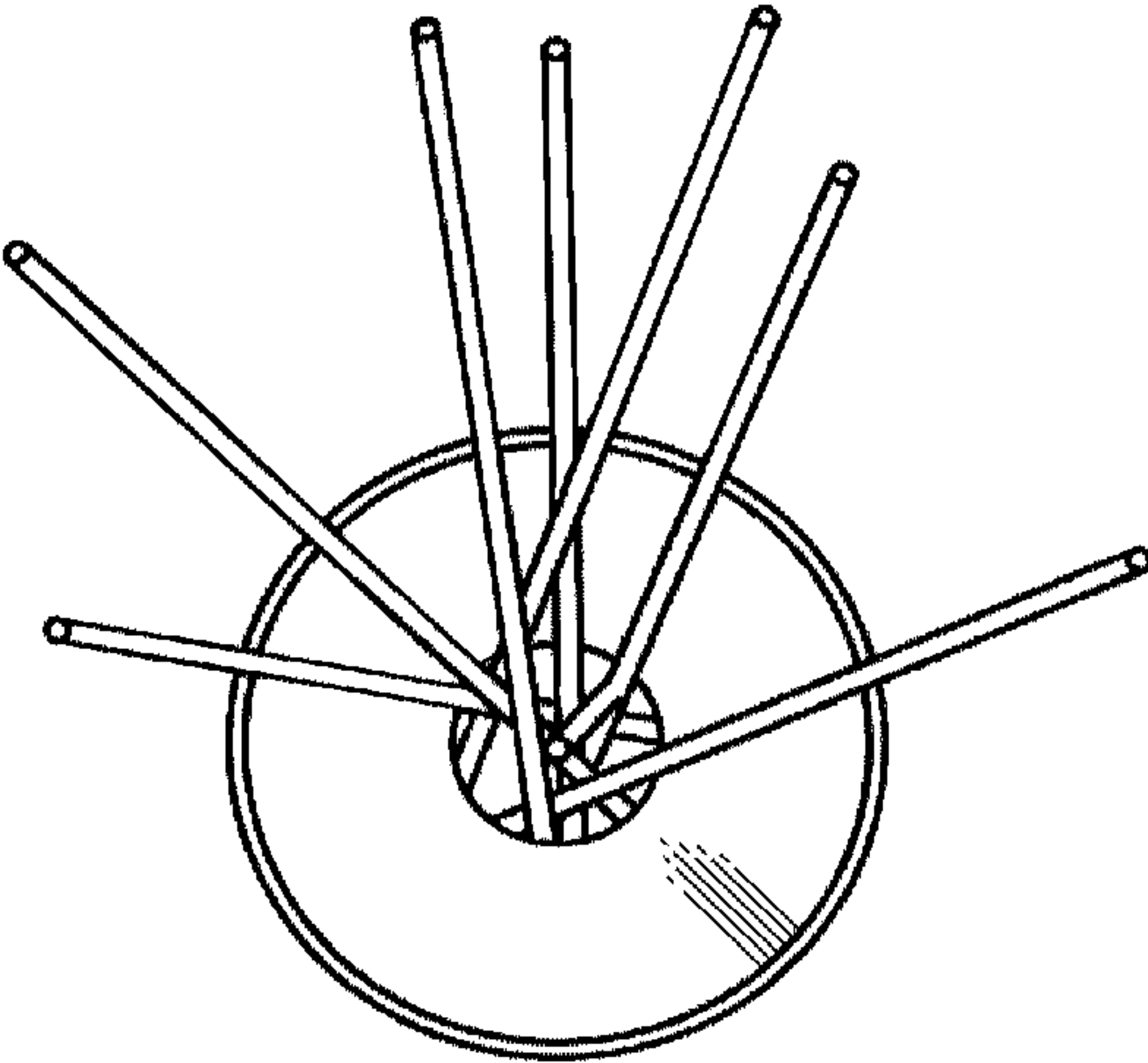


Fig. 6

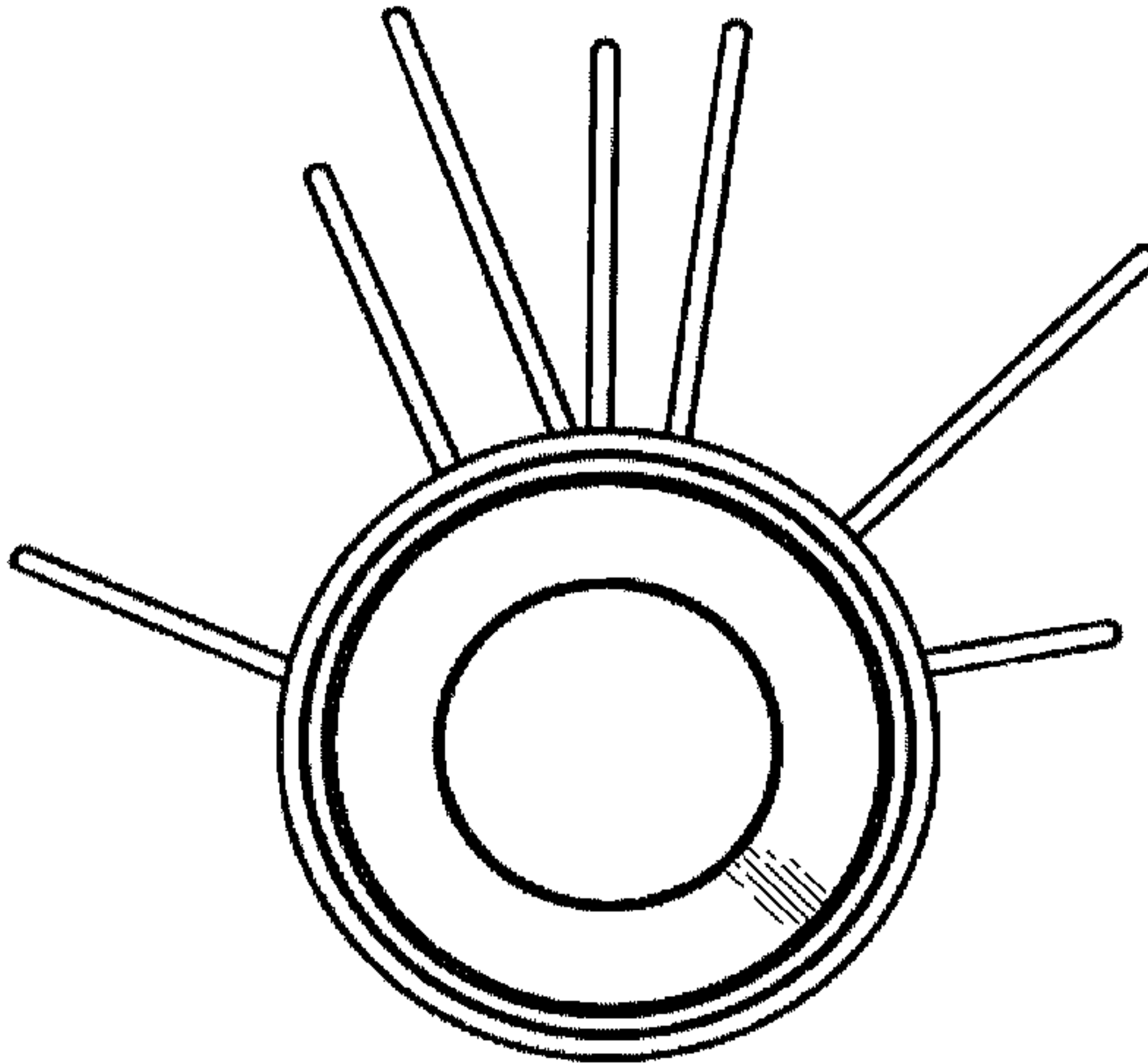


Fig. 7

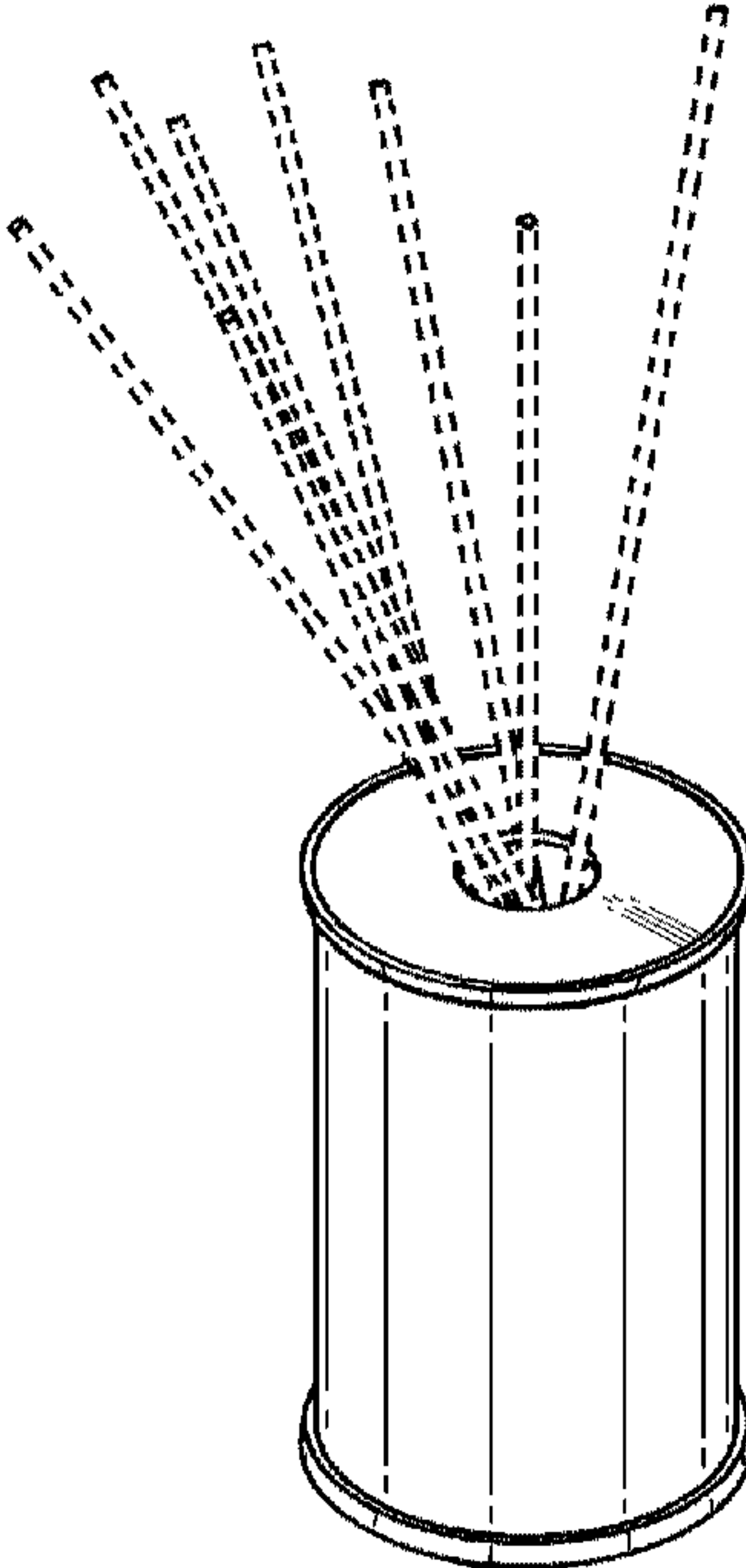


Fig. 8

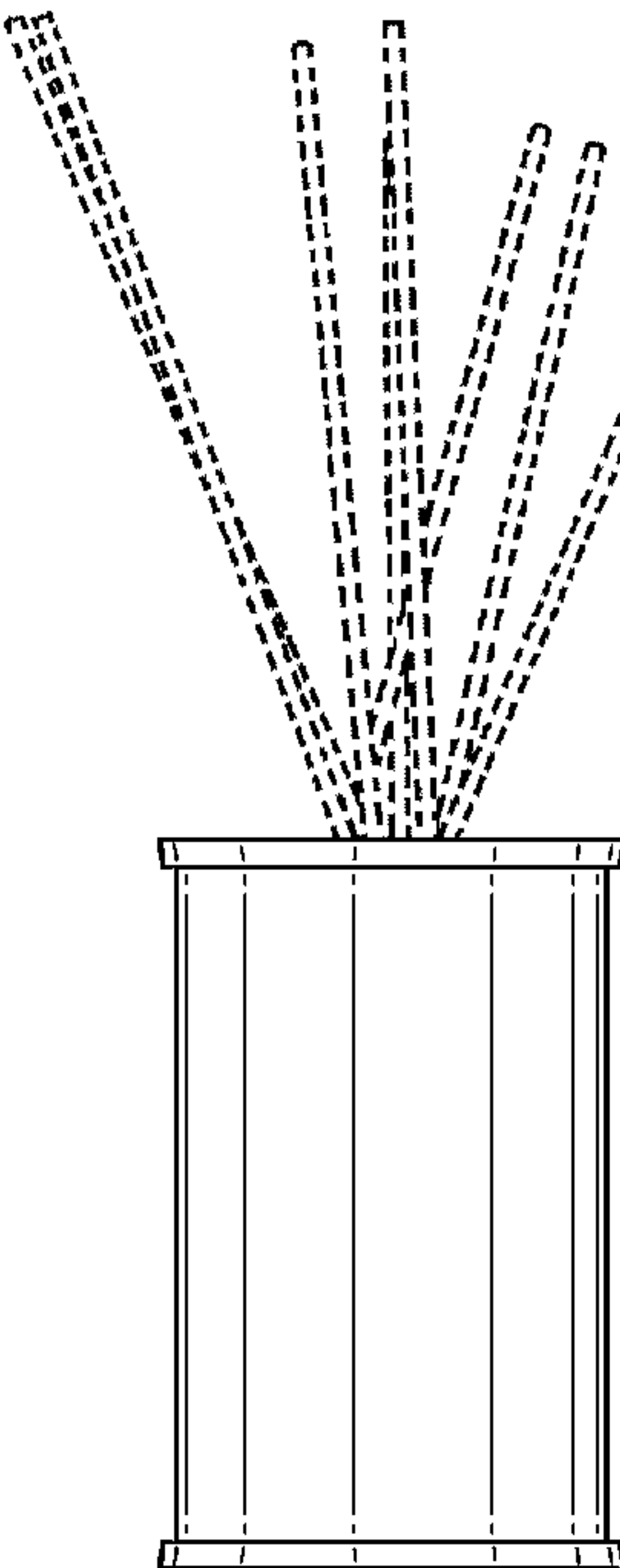


Fig. 9

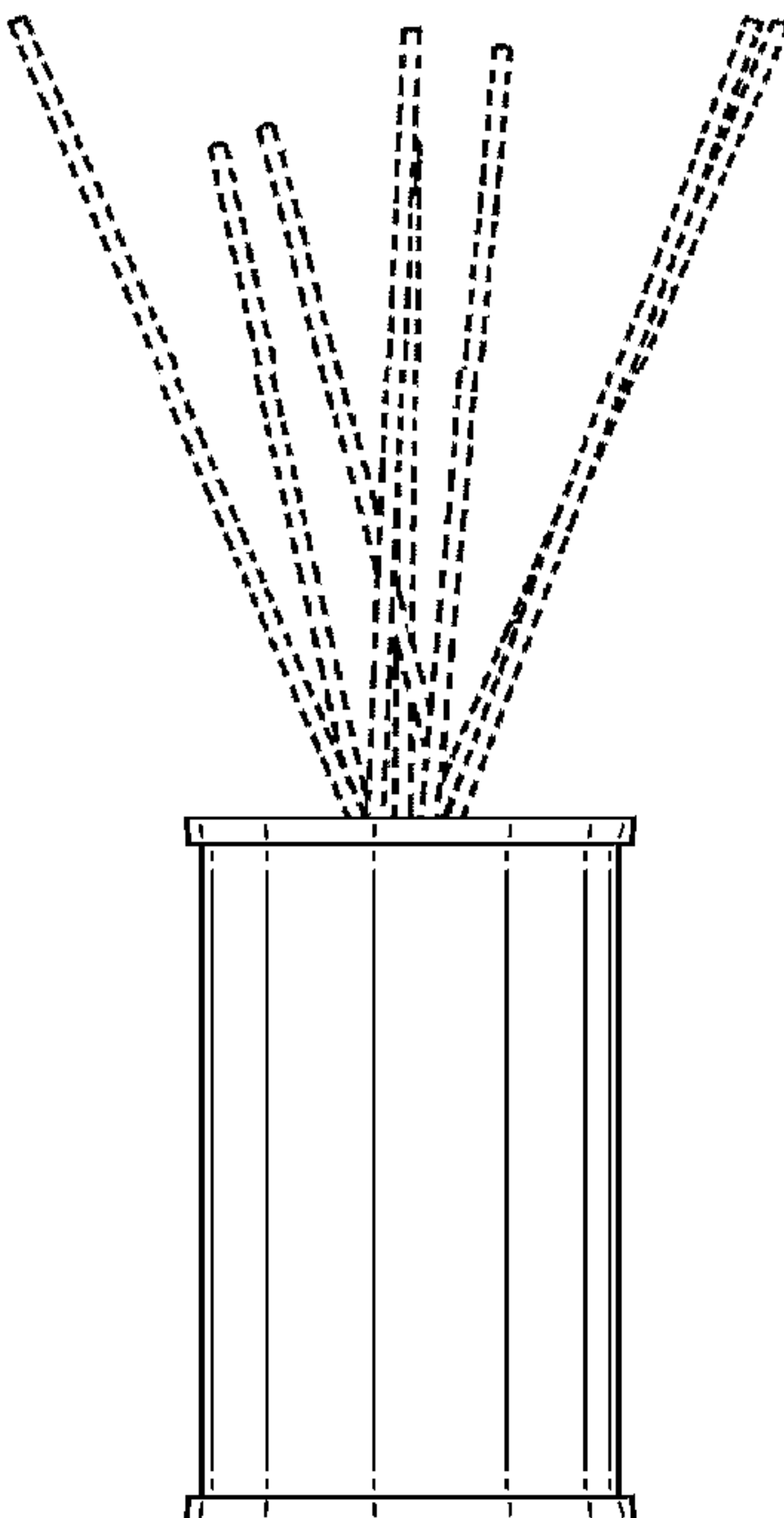


Fig. 10

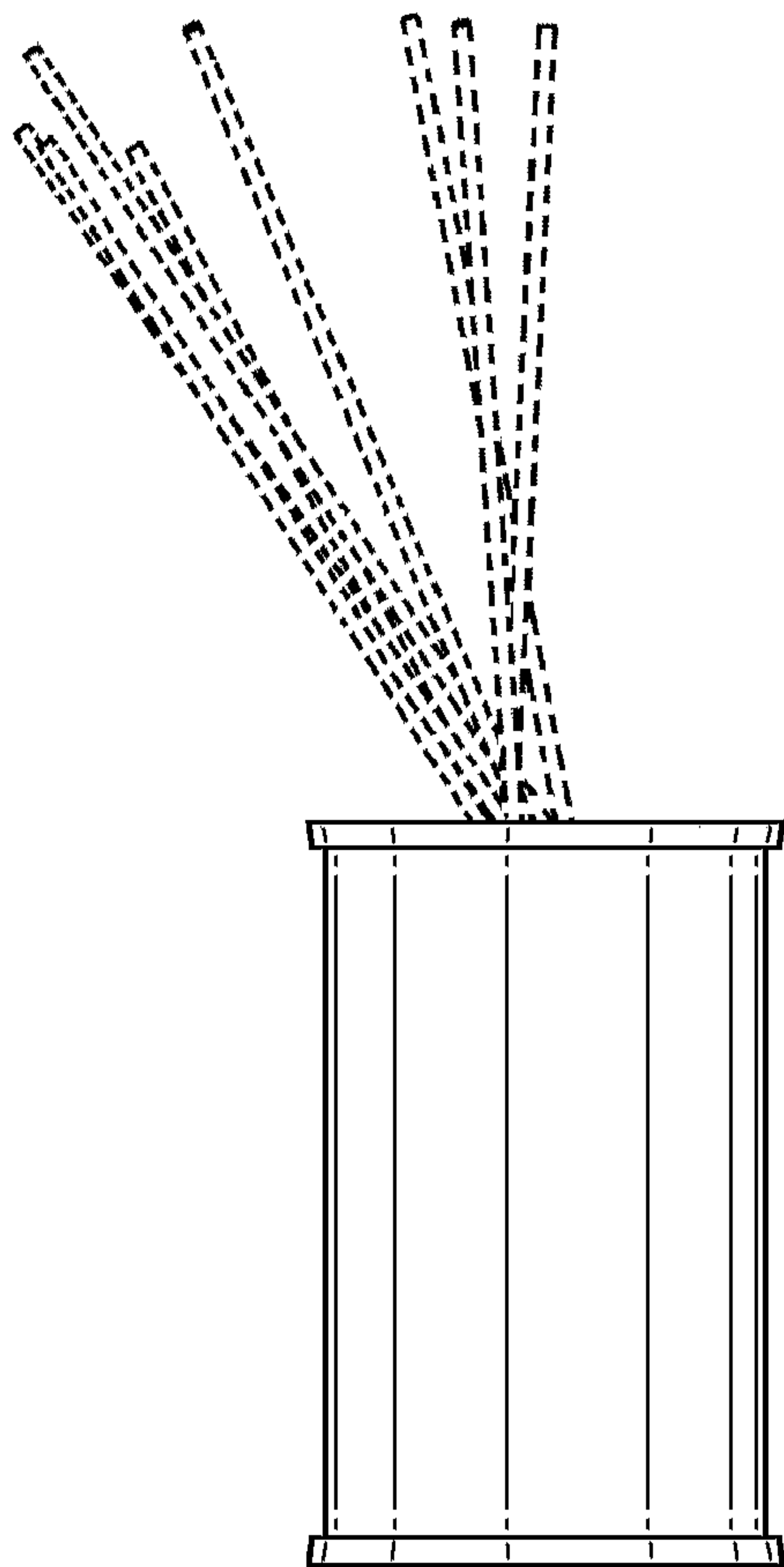


Fig. 11

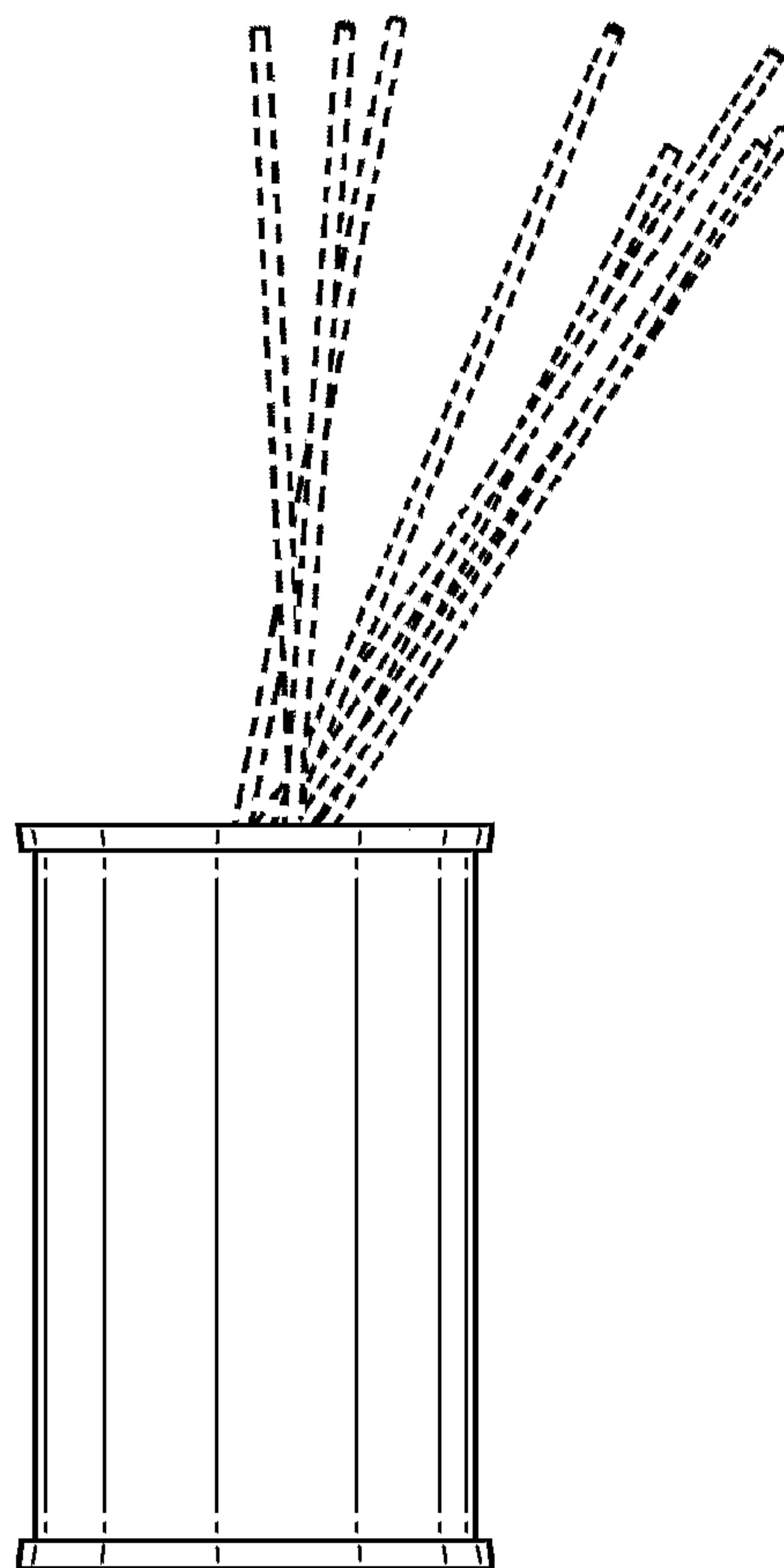


Fig. 12

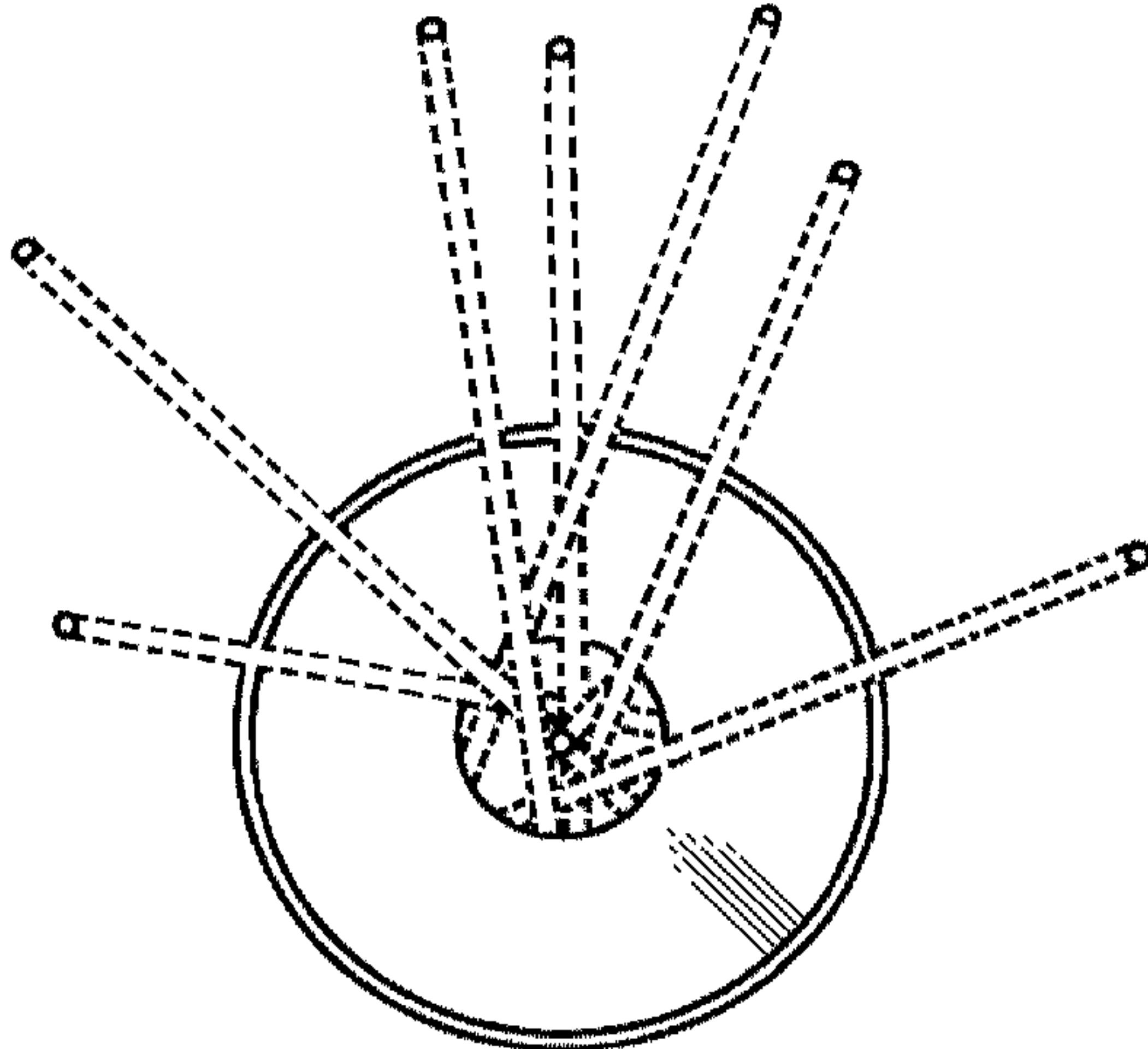


Fig. 13

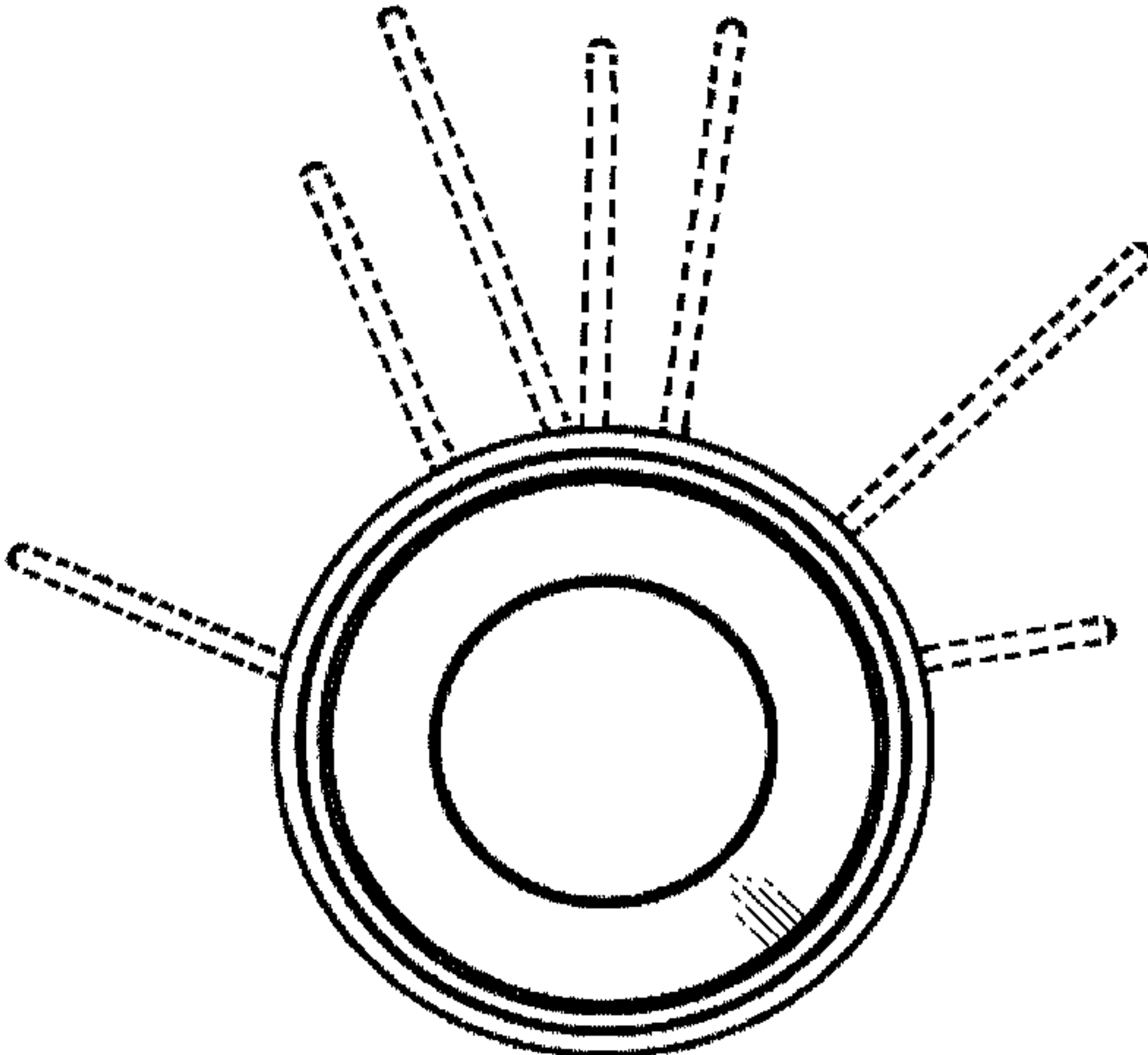


Fig. 14