



US00D661786S

(12) **United States Design Patent**
Johnson

(10) **Patent No.:** **US D661,786 S**
(45) **Date of Patent:** **** *Jun. 12, 2012**

(54) **DISPENSING CONNECTOR COLLAR WITH A DOUBLE BARB**

(75) Inventor: **James Johnson**, Delaware, OH (US)

(73) Assignee: **Liqui-Box Corporation**, Worthington, OH (US)

(*) Notice: This patent is subject to a terminal disclaimer.

(**) Term: **14 Years**

(21) Appl. No.: **29/379,023**

(22) Filed: **Nov. 12, 2010**

(51) **LOC (9) Cl.** **23-01**

(52) **U.S. Cl.** **D23/262**

(58) **Field of Classification Search** D23/259–268;
137/614.03; 141/346–351, 383–385; 251/149.6,
251/149.1

See application file for complete search history.

(56) **References Cited**

U.S. PATENT DOCUMENTS

3,495,057	A *	2/1970	Golota	218/88
4,286,636	A	9/1981	Credle		
4,421,146	A *	12/1983	Bond et al.	141/349
4,445,551	A *	5/1984	Bond et al.	141/349
4,564,132	A	1/1986	Lloyd-Davies		
5,031,662	A *	7/1991	Roethel	137/614.03
5,095,962	A *	3/1992	Lloyd-Davies et al.	141/346
5,680,970	A *	10/1997	Smith et al.	222/514
5,697,410	A *	12/1997	Rutter et al.	141/346
5,746,247	A *	5/1998	Schlecht et al.	137/625.45
D397,767	S *	9/1998	Gustafsson	D23/237
5,823,224	A *	10/1998	Gomez	137/240
5,832,737	A *	11/1998	Moilanen	62/228.5
5,901,761	A *	5/1999	Rutter et al.	141/346
5,950,665	A *	9/1999	Claus	137/384.2
5,983,964	A *	11/1999	Zielinski et al.	141/346
D421,098	S *	2/2000	Wrigley et al.	D23/249

6,347,785	B1 *	2/2002	Copp et al.	251/149.6
6,375,157	B1 *	4/2002	Van de Lande	251/327
6,637,725	B2	10/2003	Davis et al.		
6,648,016	B2 *	11/2003	Farrenkopf et al.	137/588
6,779,556	B2 *	8/2004	Roethel	137/614.03
D501,673	S *	2/2005	Bressler et al.	D23/262
D508,111	S *	8/2005	Karasawa	D23/262
6,953,070	B1 *	10/2005	Labinski et al.	141/351

(Continued)

FOREIGN PATENT DOCUMENTS

CA 2371239 A1 12/2000

(Continued)

Primary Examiner — T. Chase Nelson

Assistant Examiner — Eric Goodman

(74) *Attorney, Agent, or Firm* — Potter Anderson Corroon LLP; Rakesh H. Mehta, Esq

(57) **CLAIM**

The ornamental design for dispensing connector collar with a double barb, as shown and described.

DESCRIPTION

FIG. 1 is a top perspective view of a dispensing connector collar with a double barb.

FIG. 2 is a bottom perspective view of the dispensing connector collar with a double barb.

FIG. 3 is a side view of the dispensing connector collar with a double barb.

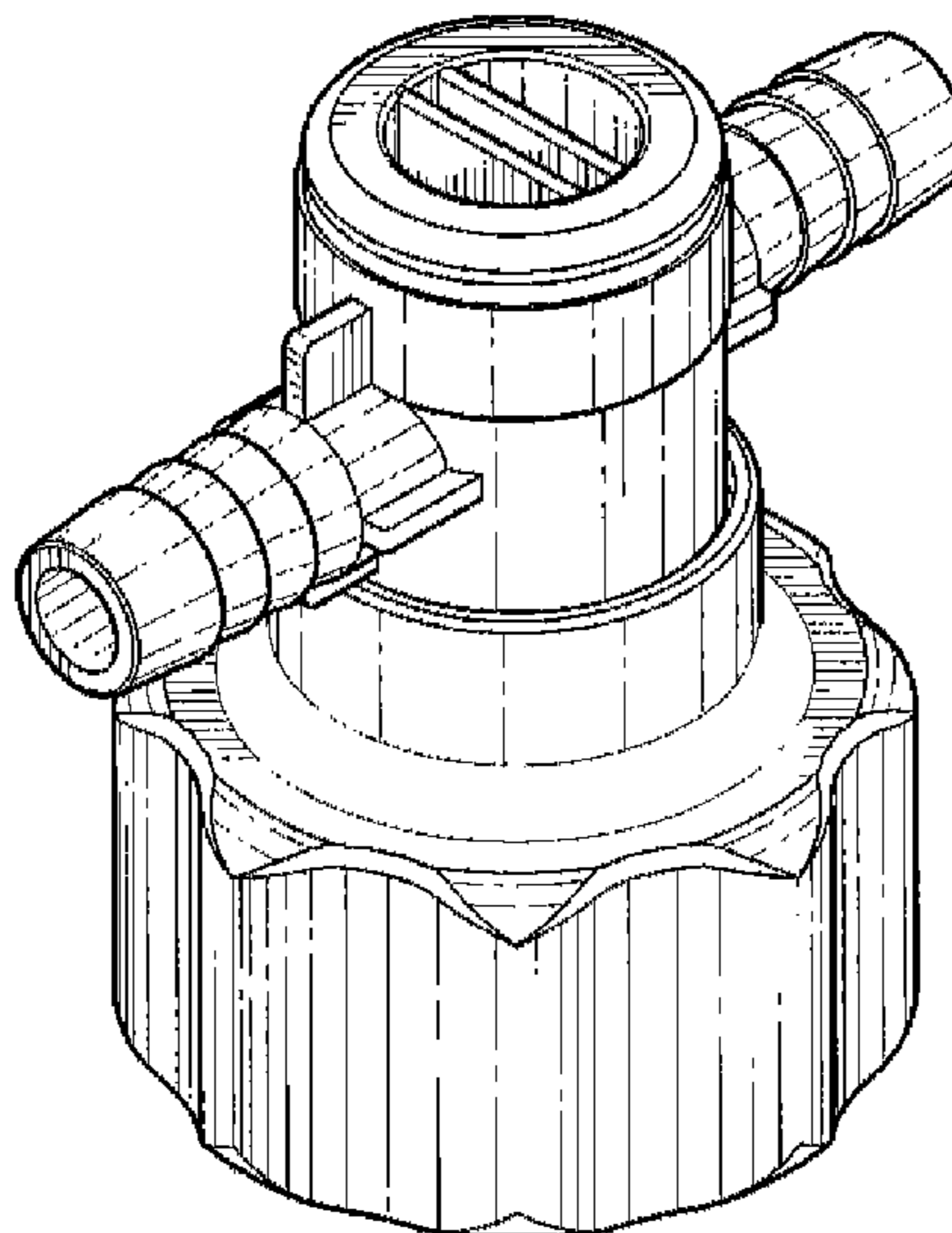
FIG. 4 is a back side view of the dispensing connector collar with a double barb.

FIG. 5 is a top view of the dispensing connector collar with a double barb; and,

FIG. 6 is a bottom view of the dispensing connector collar with a double barb.

The broken line showing in FIG. 6 is included for the purpose of illustrating portions of the article and forms no part of the claimed design.

1 Claim, 6 Drawing Sheets



US D661,786 S

Page 2

U.S. PATENT DOCUMENTS

D511,203 S * 11/2005 Bressler et al. D23/262
7,487,951 B2 * 2/2009 Johnson 251/149.1
D607,090 S * 12/2009 Johnson D23/262
D617,880 S * 6/2010 Johnson D23/262
D618,763 S * 6/2010 Johnson D23/237
2002/0139423 A1 * 10/2002 Roethel 137/614.03

2004/0256424 A1* 12/2004 Johnson 222/518
2008/0053568 A1* 3/2008 Johnson 141/383

FOREIGN PATENT DOCUMENTS

CA 2554832 8/2005
WO WO 2004/085283 7/2004

* cited by examiner

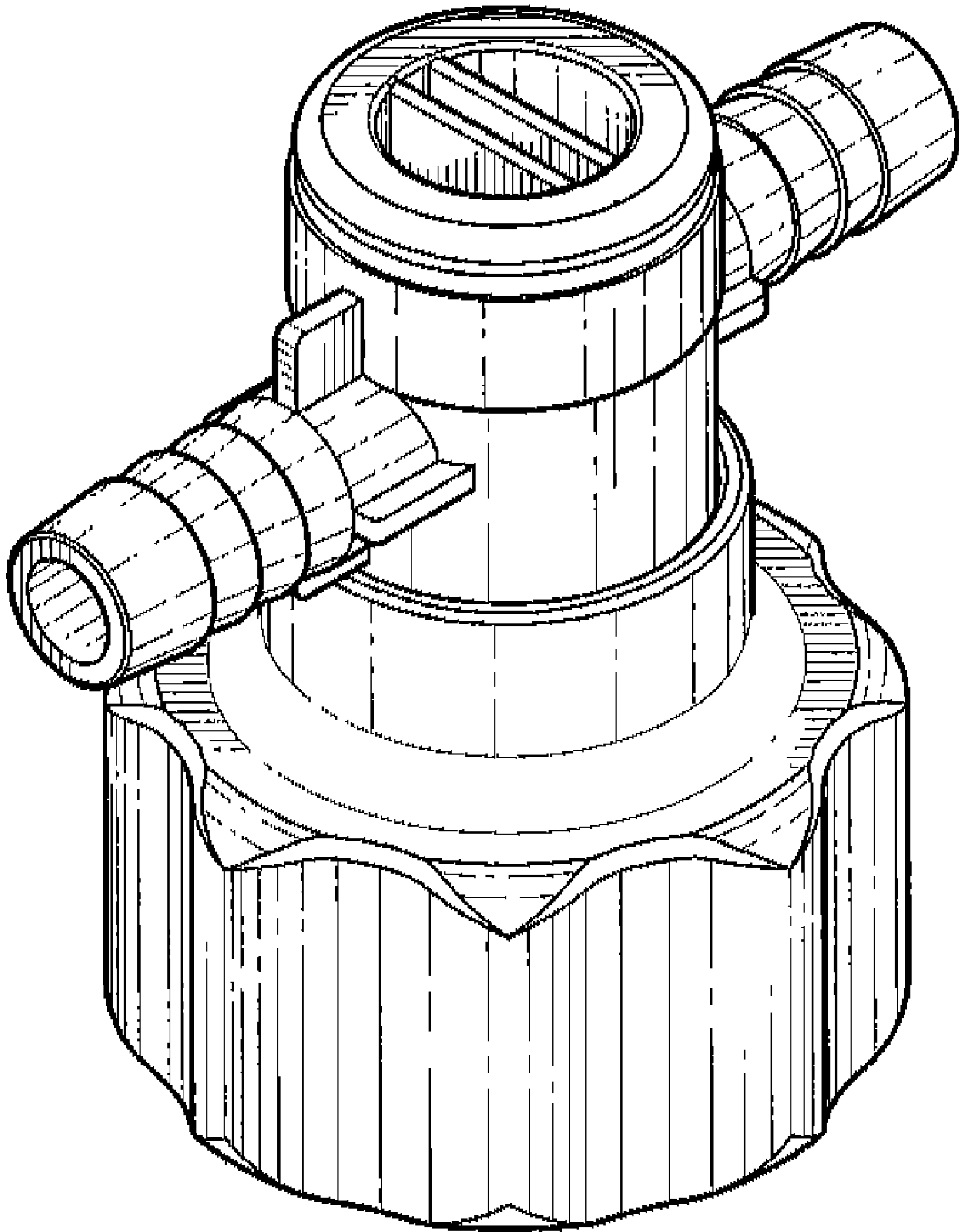


FIG. 1

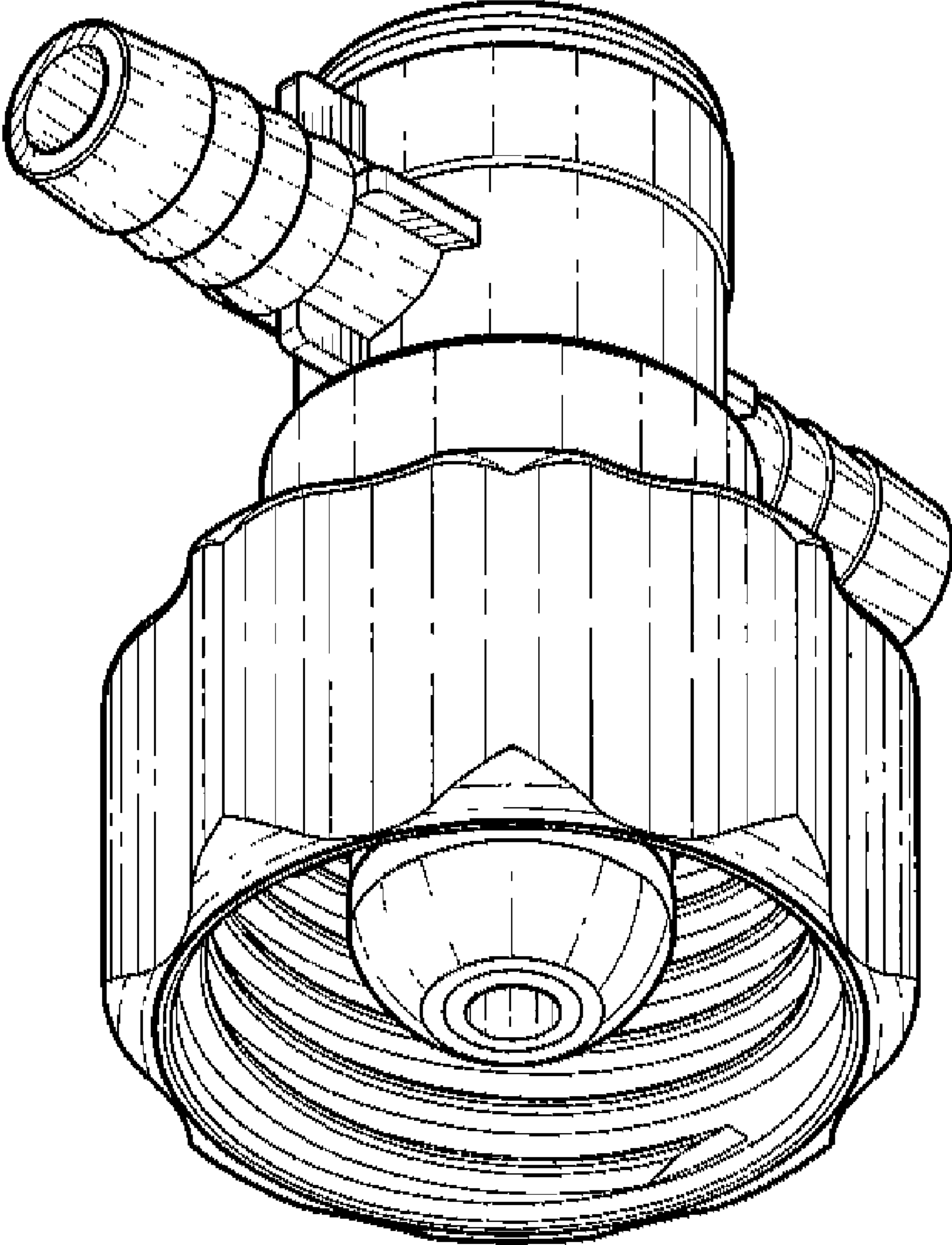


FIG. 2

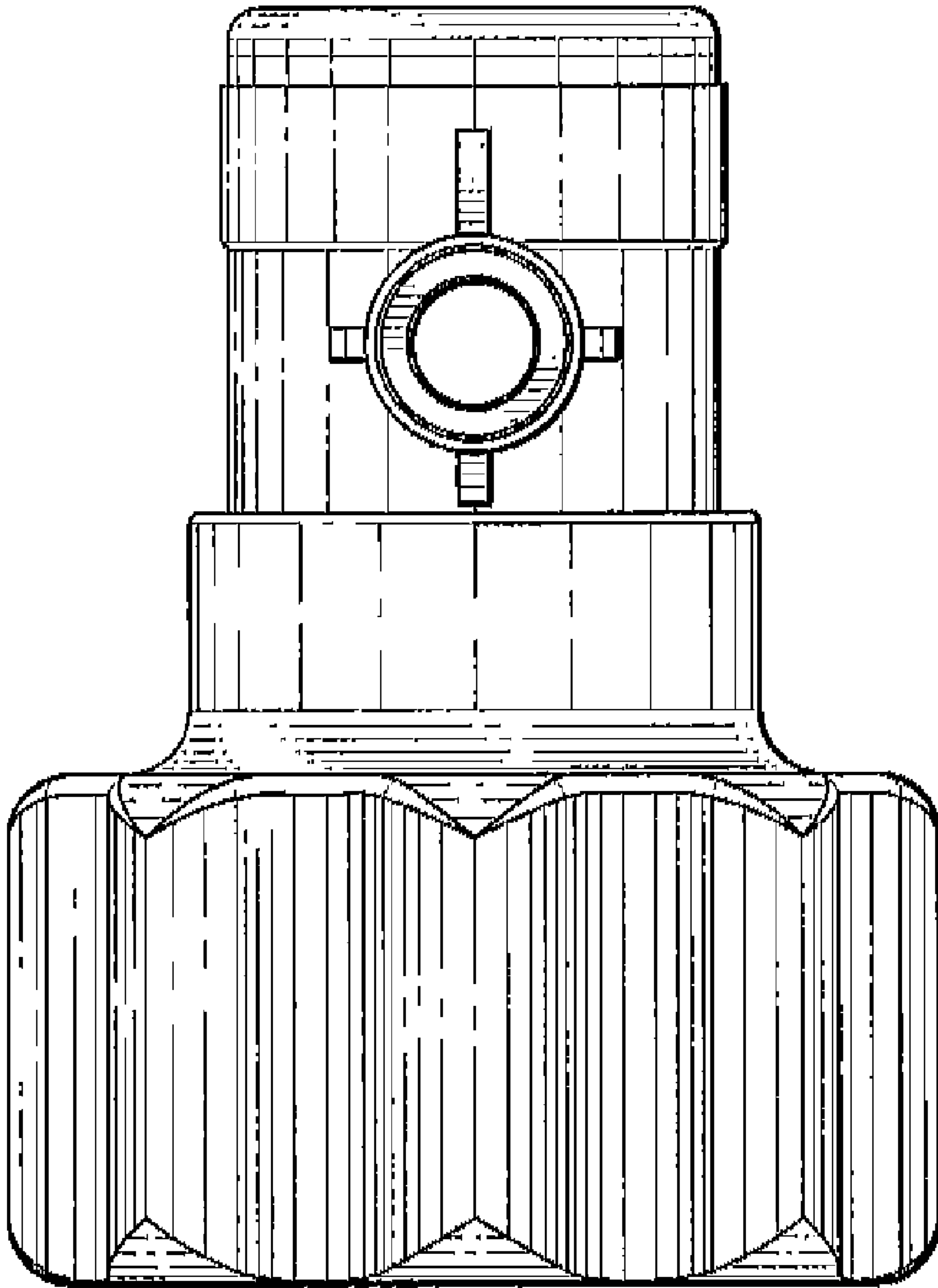


FIG. 3

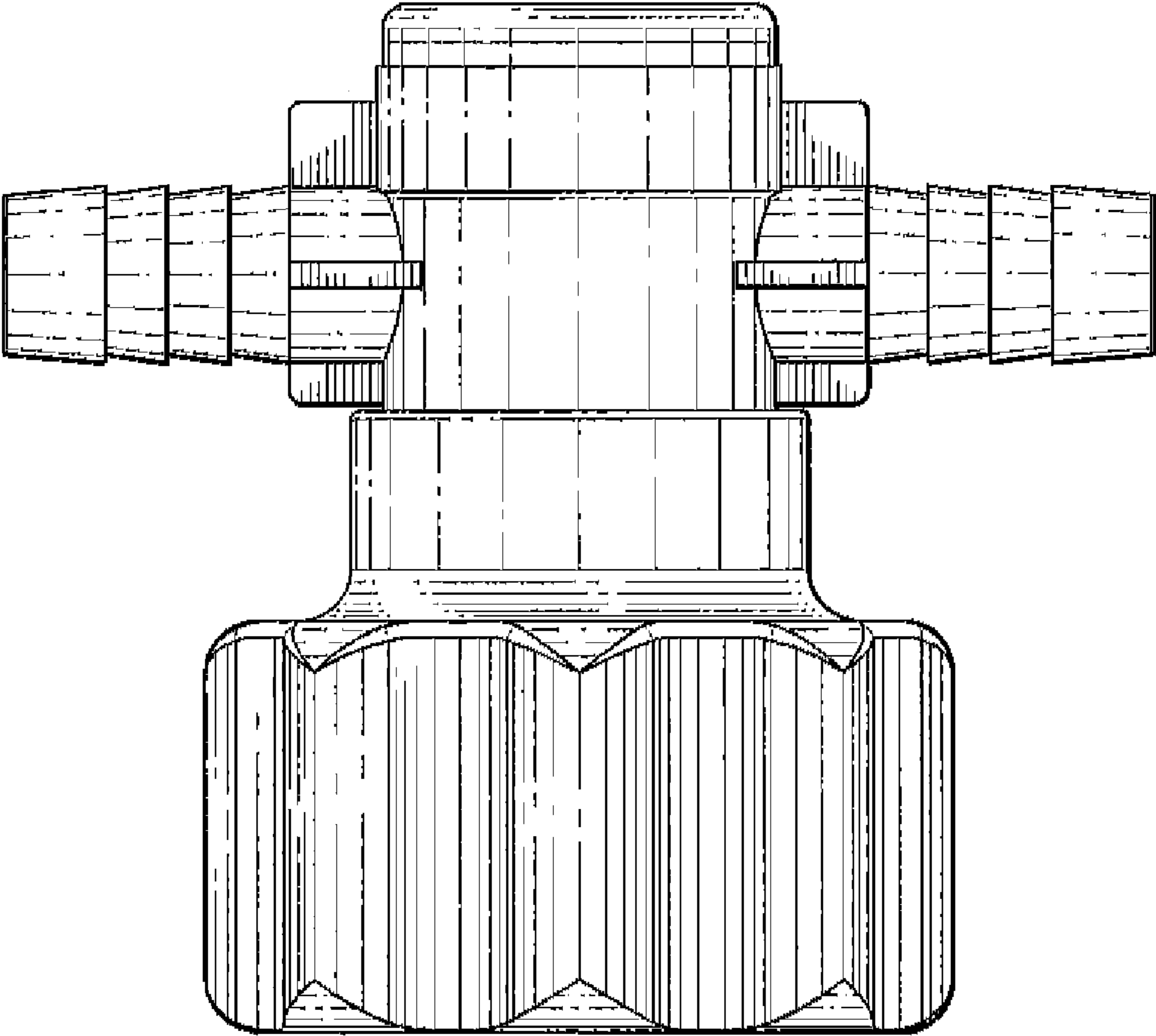


FIG. 4

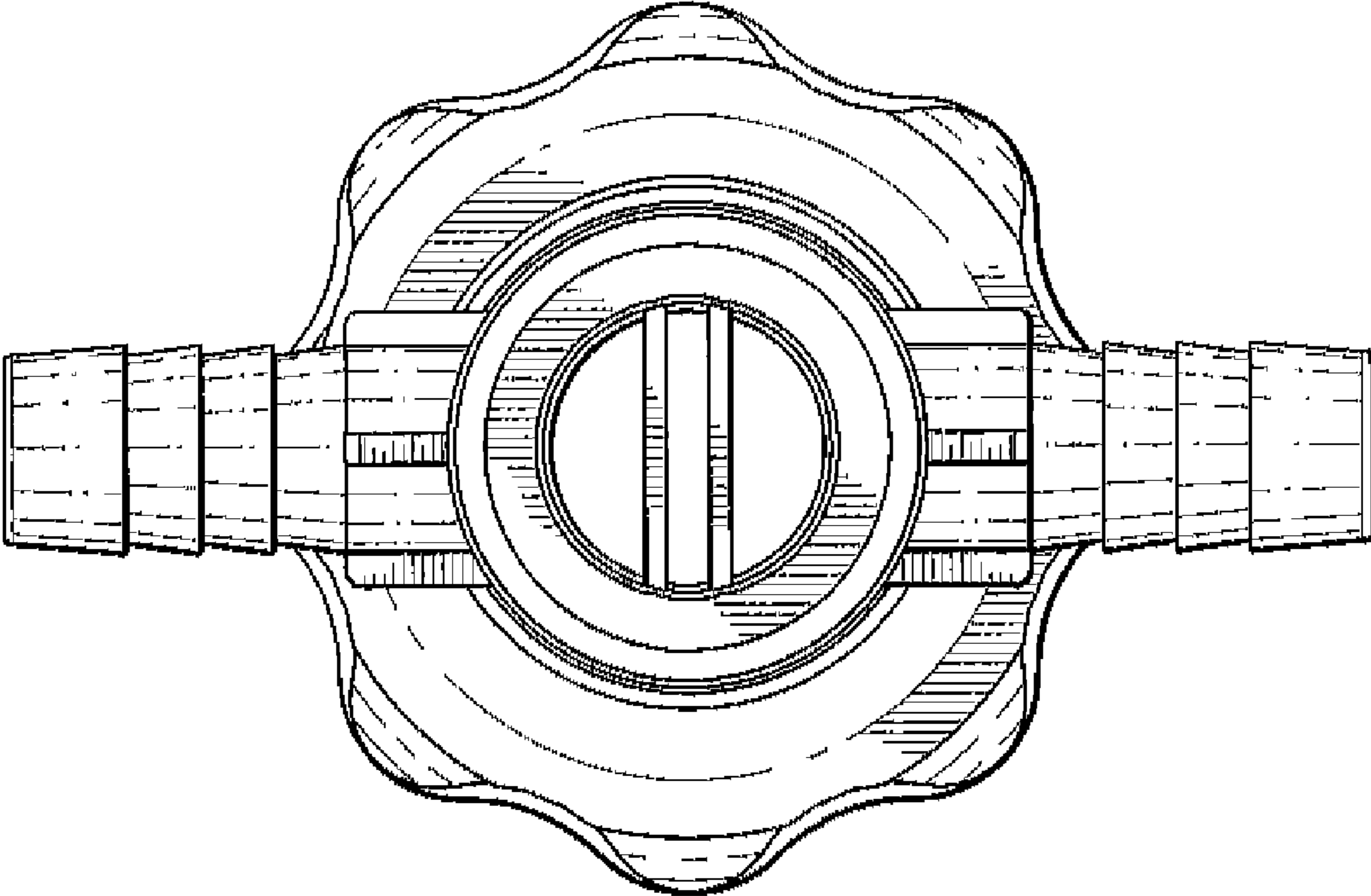


FIG. 5

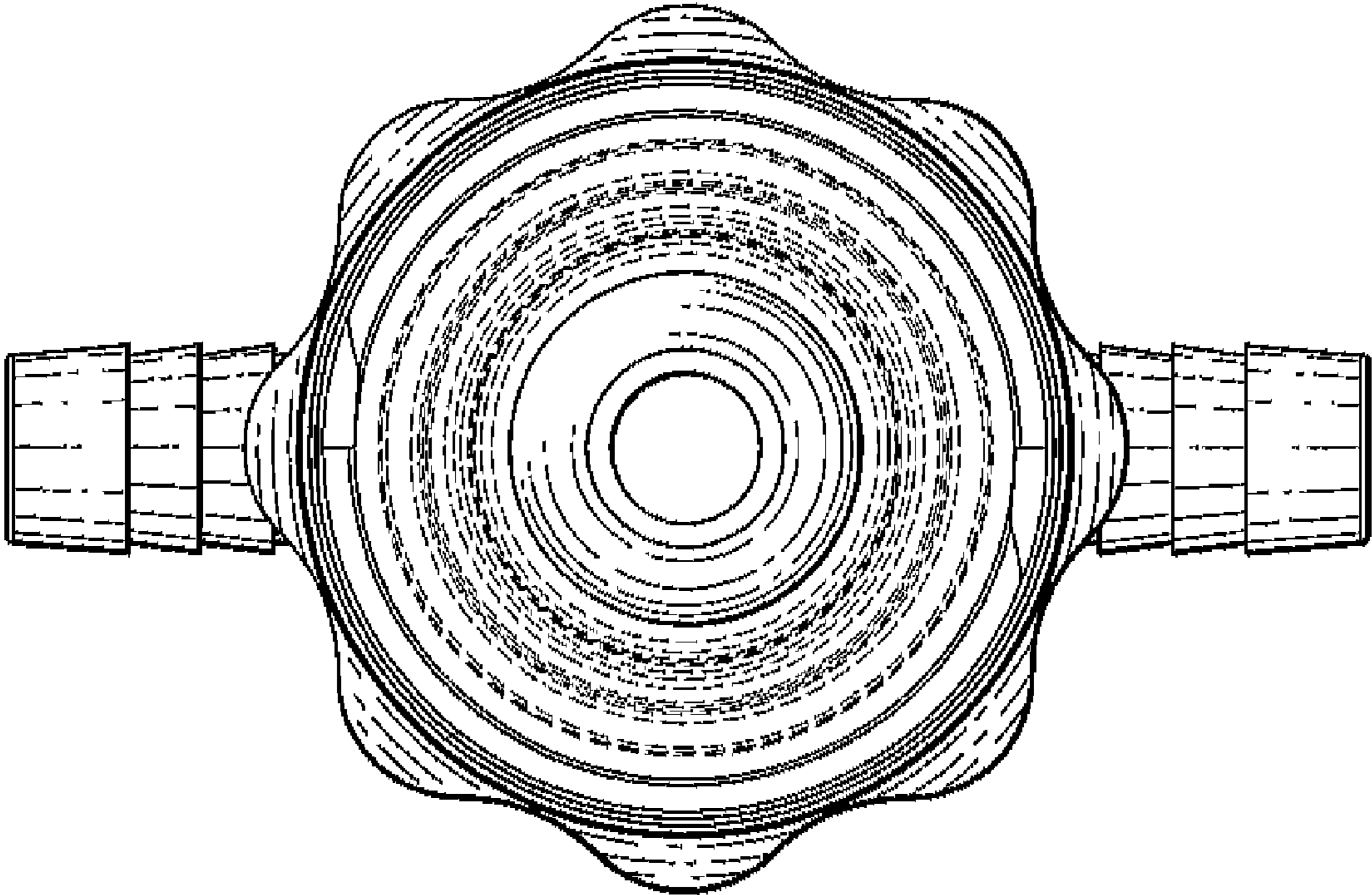


FIG. 6