



US00D661779S

(12) **United States Design Patent**
Hung

(10) **Patent No.:** **US D661,779 S**

(45) **Date of Patent:** **** Jun. 12, 2012**

(54) **OSCILLATOR**

(75) Inventor: **Chen-Fu Hung**, Changhua County (TW)

(73) Assignee: **Ruey Ryh Enterprise Co., Ltd.**,
Changhua County (TW)

(**) Term: **14 Years**

(21) Appl. No.: **29/398,252**

(22) Filed: **Jul. 28, 2011**

(51) **LOC (9) Cl.** **23-01**

(52) **U.S. Cl.** **D23/216**

(58) **Field of Classification Search** D23/214,
D23/216; 239/240-242

See application file for complete search history.

(56) **References Cited**

U.S. PATENT DOCUMENTS

D173,715 S * 12/1954 Beinert D23/216
D321,396 S * 11/1991 Whitehead D23/216
D355,476 S * 2/1995 Schon D23/214

D447,538 S * 9/2001 Chao D23/216
D458,983 S * 6/2002 Chen D23/216
D466,974 S * 12/2002 Kuo D23/216
D466,975 S * 12/2002 Kuo D23/216

* cited by examiner

Primary Examiner — Robin V Webster

(74) *Attorney, Agent, or Firm* — Chi IP Law Firm

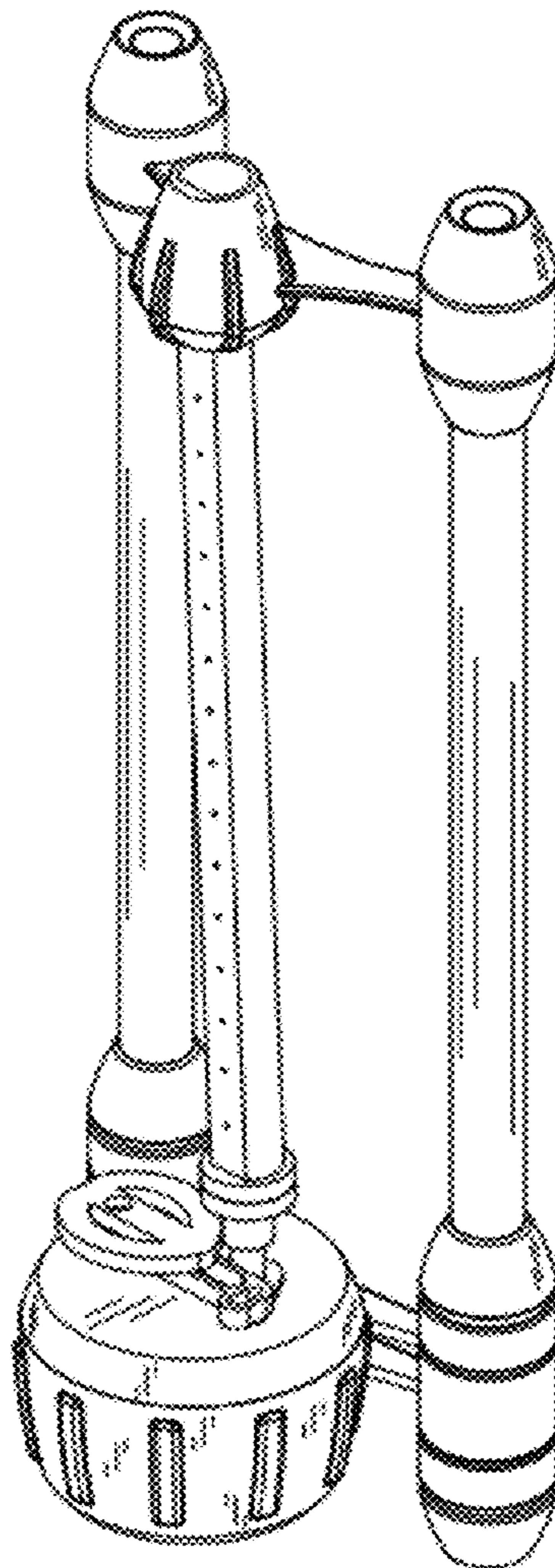
(57) **CLAIM**

The ornamental design for an oscillator, as shown and described.

DESCRIPTION

FIG. 1 is a perspective view of a sprinkler.
FIG. 2 is a front elevation of the sprinkler.
FIG. 3 is a rear elevation of the sprinkler.
FIG. 4 is a left side elevation of the sprinkler.
FIG. 5 is a right side elevation of the sprinkler.
FIG. 6 is a top plane of the sprinkler; and,
FIG. 7 is a bottom plane of the sprinkler.

1 Claim, 7 Drawing Sheets



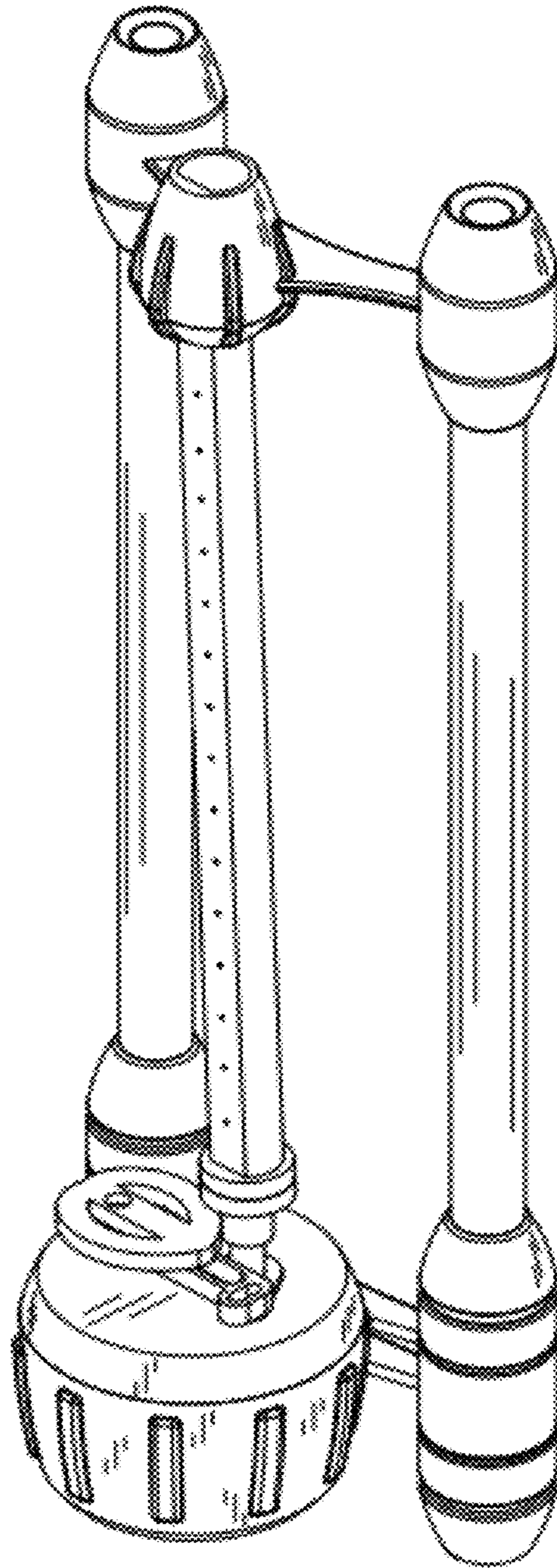


FIG. 1

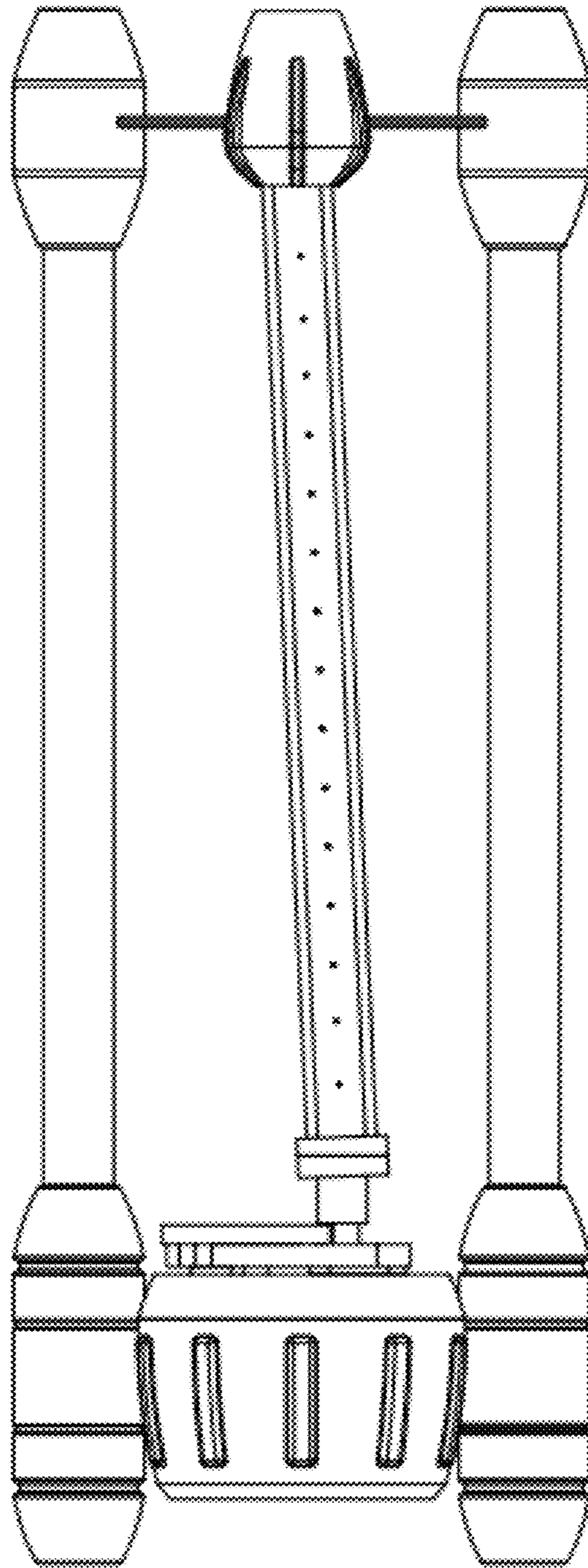


FIG. 2

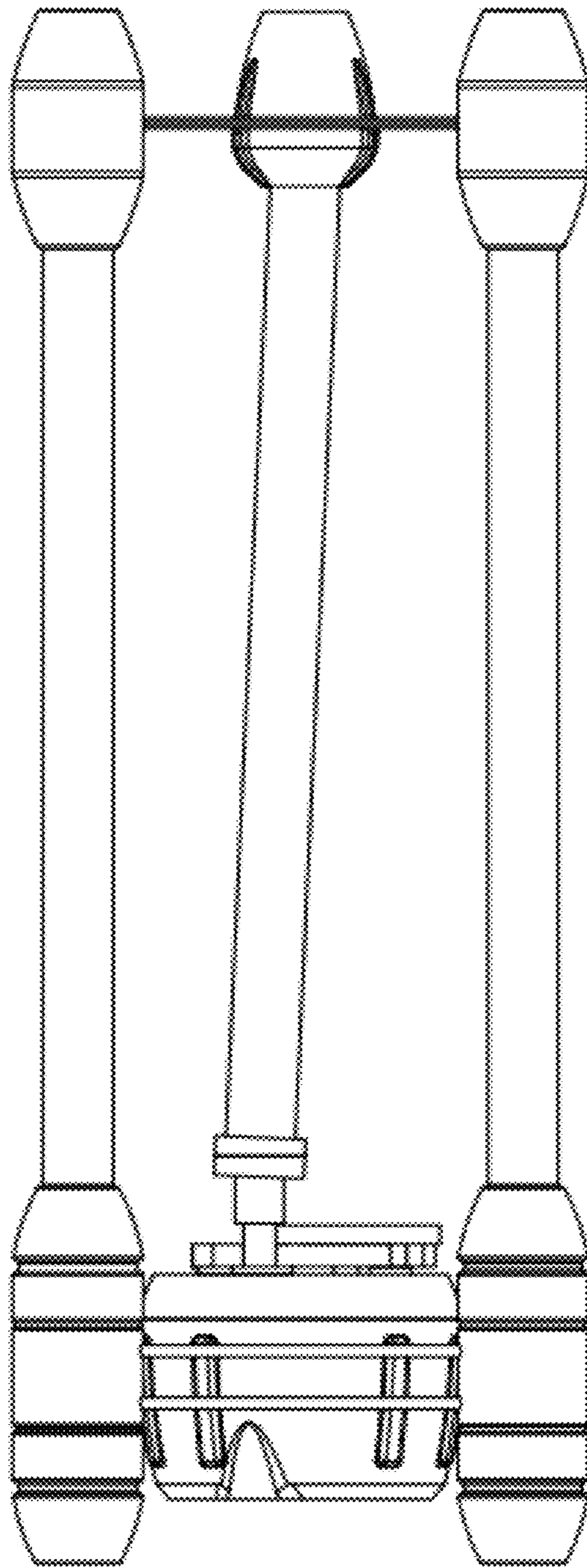


FIG. 3

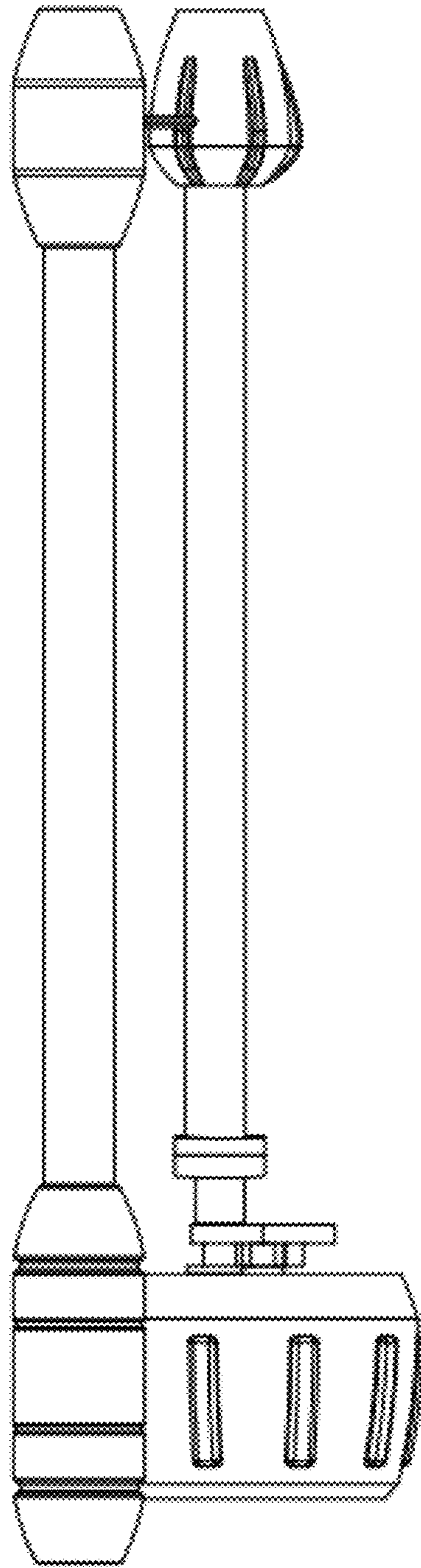


FIG. 4

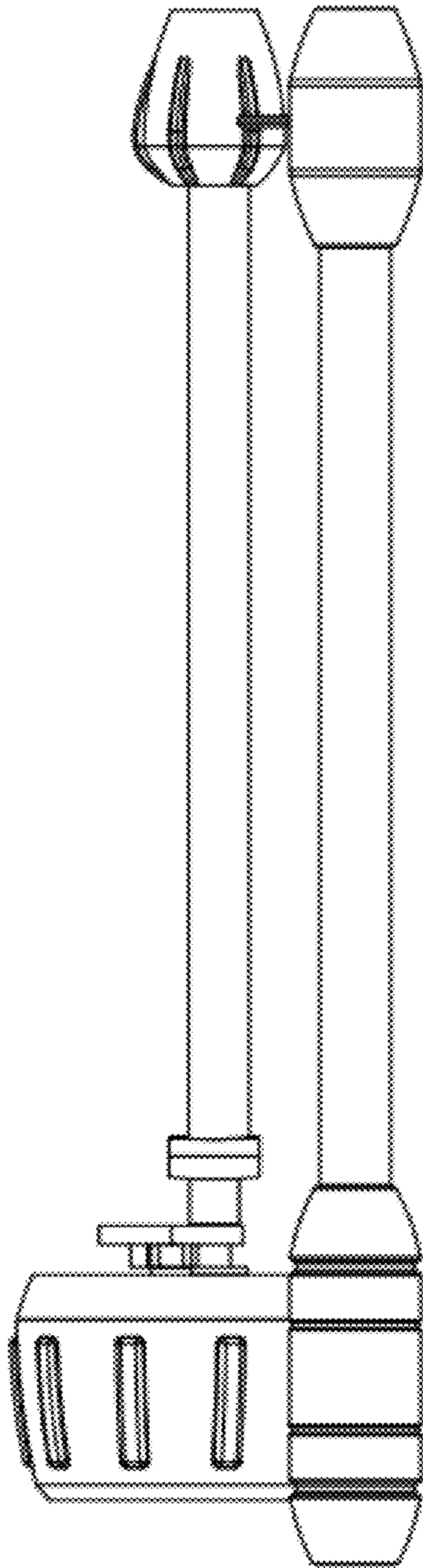


FIG. 5

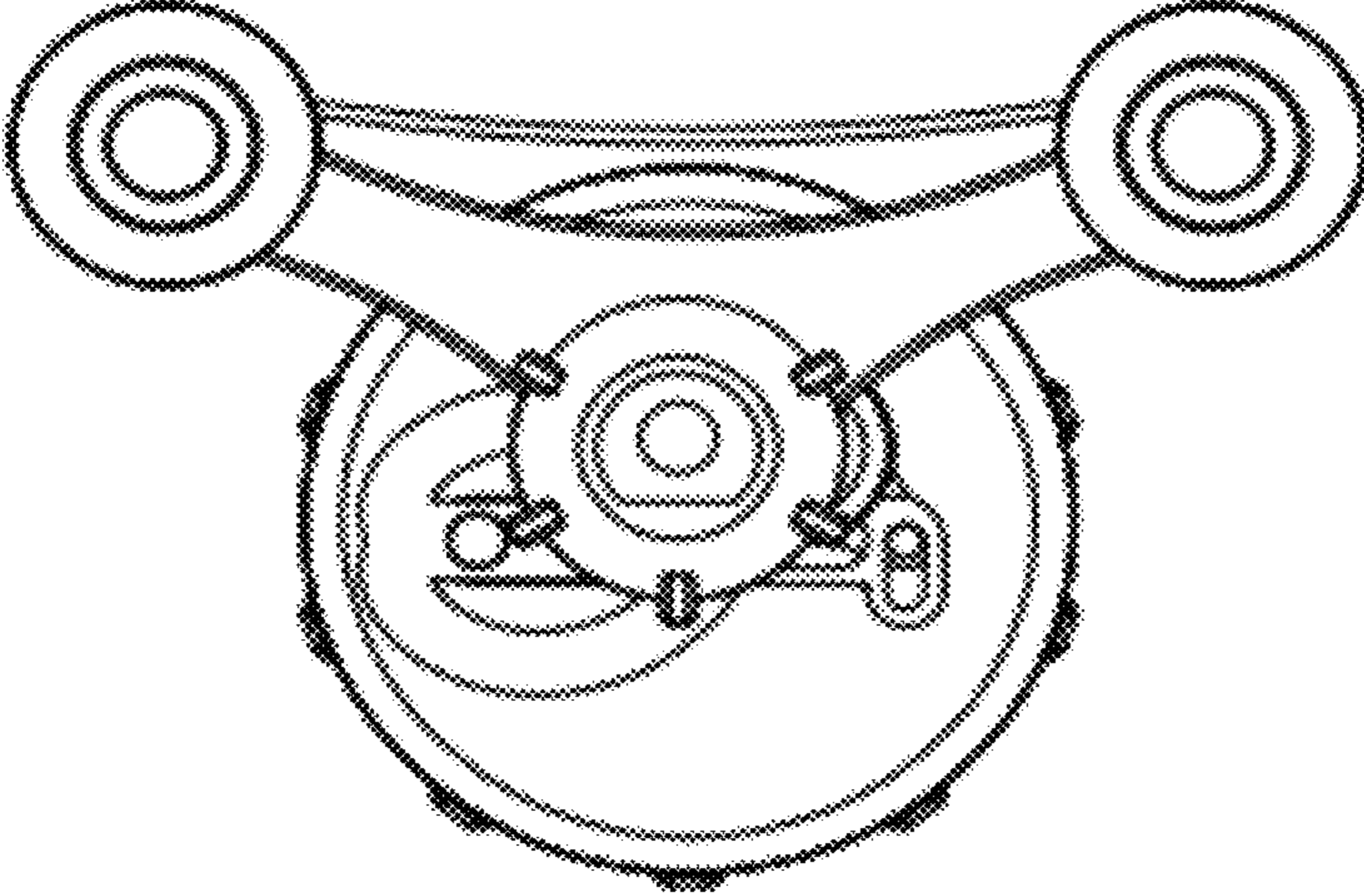


FIG. 6

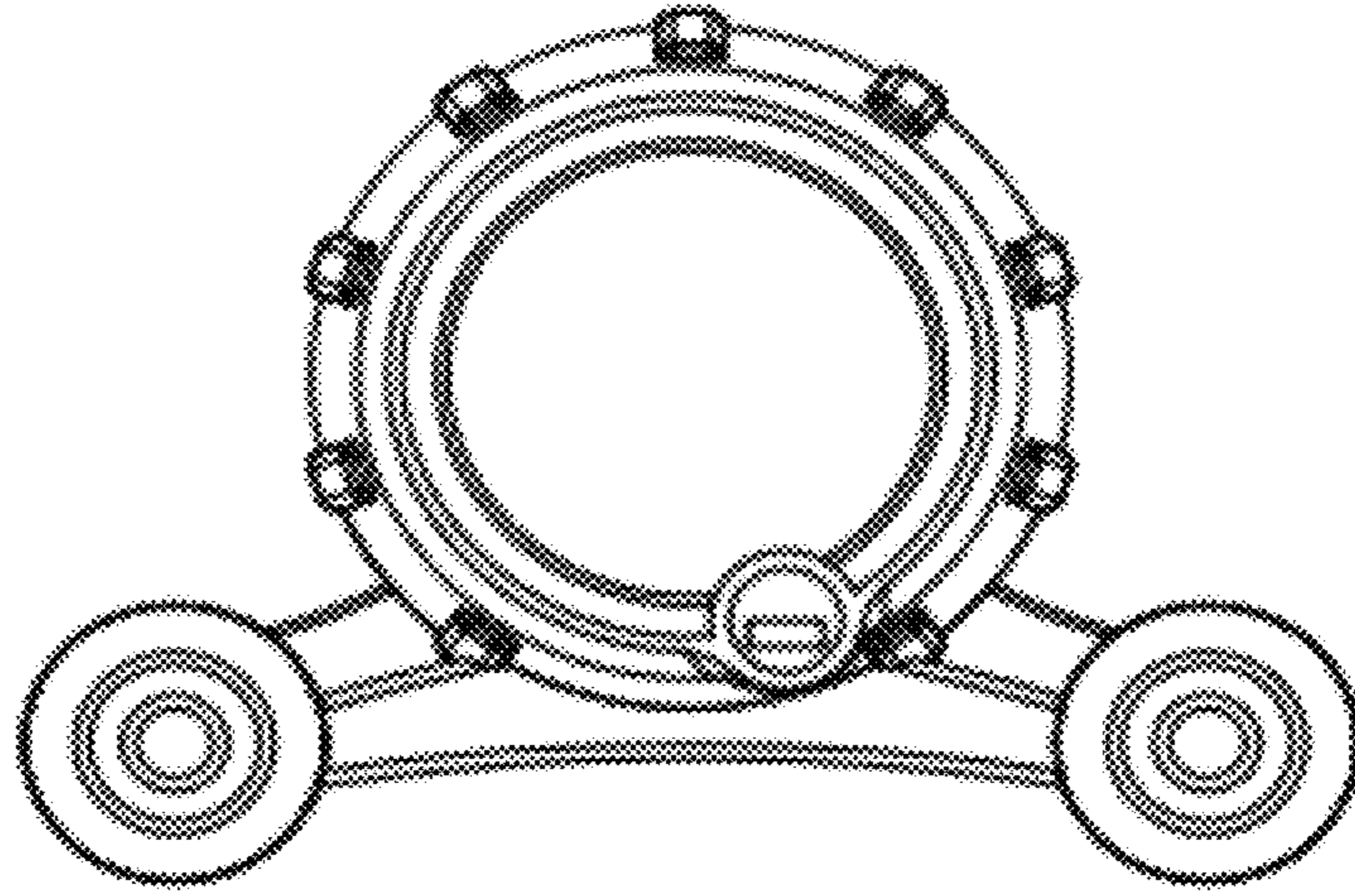


FIG. 7