



US00D661778S

(12) **United States Design Patent**  
**Dempster et al.**

(10) **Patent No.:** **US D661,778 S**  
(45) **Date of Patent:** **\*\* \*Jun. 12, 2012**

- (54) **MOVING BED BIOREACTOR CARRIER**
- (75) Inventors: **Graeme Dempster**, Victoria (CA);  
**Gerald Seidl**, Houston, TX (US); **Siva Angappan**, Victoria (CA); **Jack Collie Gardiner**, Houston, TX (US)
- (73) Assignee: **Headworks Bio Inc.**, Houston, TX (US)
- (\*) Notice: This patent is subject to a terminal disclaimer.
- (\*\*) Term: **14 Years**
- (21) Appl. No.: **29/386,108**
- (22) Filed: **Feb. 24, 2011**
- (51) **LOC (9) Cl.** ..... **23-01**
- (52) **U.S. Cl.** ..... **D23/207**
- (58) **Field of Classification Search** ..... D23/207, D23/209; 210/614, 616, 150; 261/94, DIG. 72  
See application file for complete search history.

5,851,636	A *	12/1998	Lang et al.	.....	428/167
6,007,915	A *	12/1999	Rukovena	.....	428/397
D465,257	S *	11/2002	Van Olst et al.	.....	D23/207
6,852,227	B1 *	2/2005	Petrone	.....	210/616
6,889,963	B2 *	5/2005	Niknafs et al.	.....	261/94
7,189,323	B2 *	3/2007	Lofqvist et al.	.....	210/615
7,527,728	B2 *	5/2009	Jackson	.....	210/150
D611,568	S *	3/2010	Westrum	.....	D23/207
D612,007	S *	3/2010	Brockdorff	.....	D23/207
D618,760	S *	6/2010	Flournoy et al.	.....	D23/207
D619,201	S *	7/2010	Westrum	.....	D23/207

\* cited by examiner

*Primary Examiner* — Robin V Webster

(74) *Attorney, Agent, or Firm* — Fletcher Yoder, P.C.

(57) **CLAIM**

I claim the ornamental design for a moving bed bioreactor carrier, as shown and described.

**DESCRIPTION**

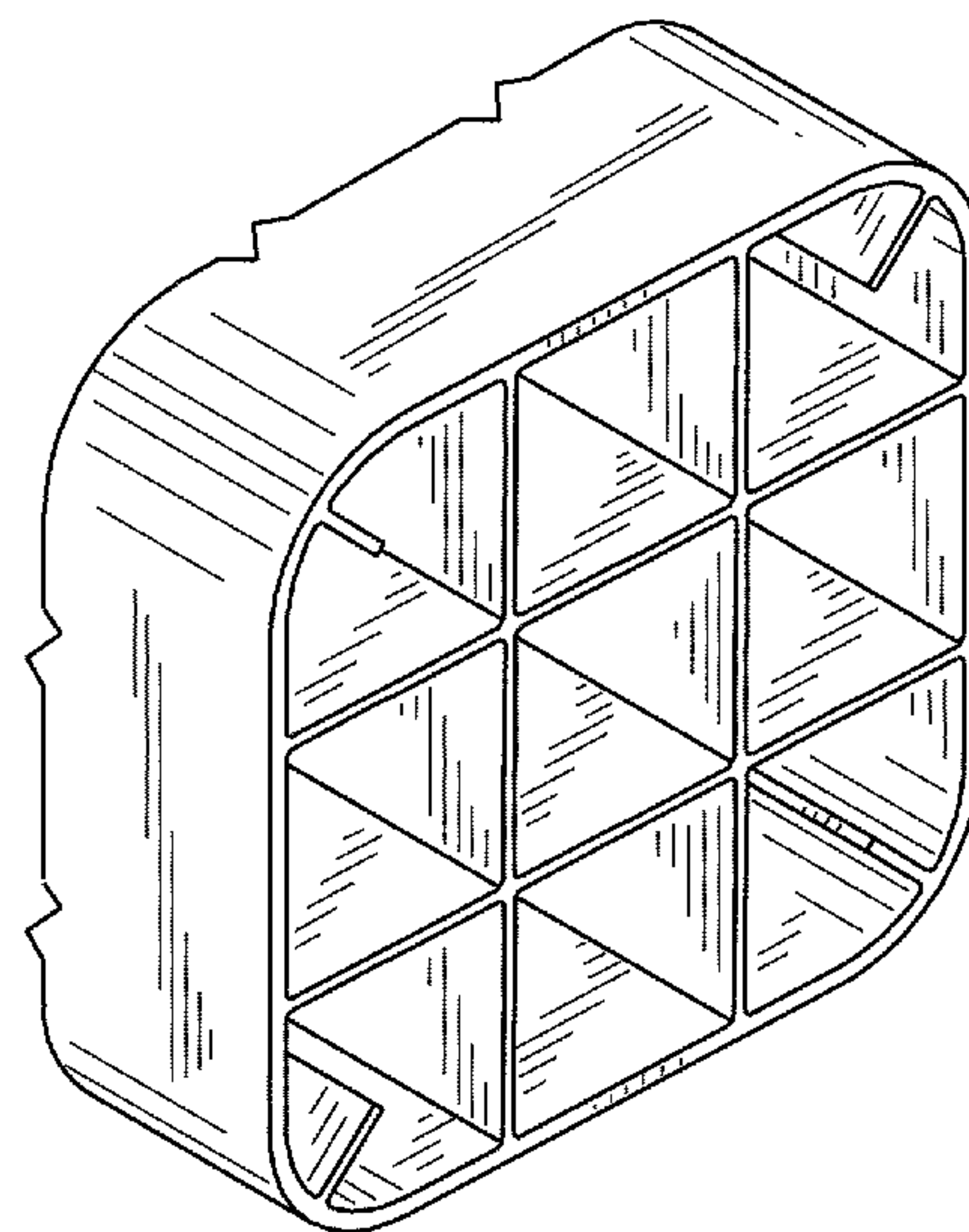
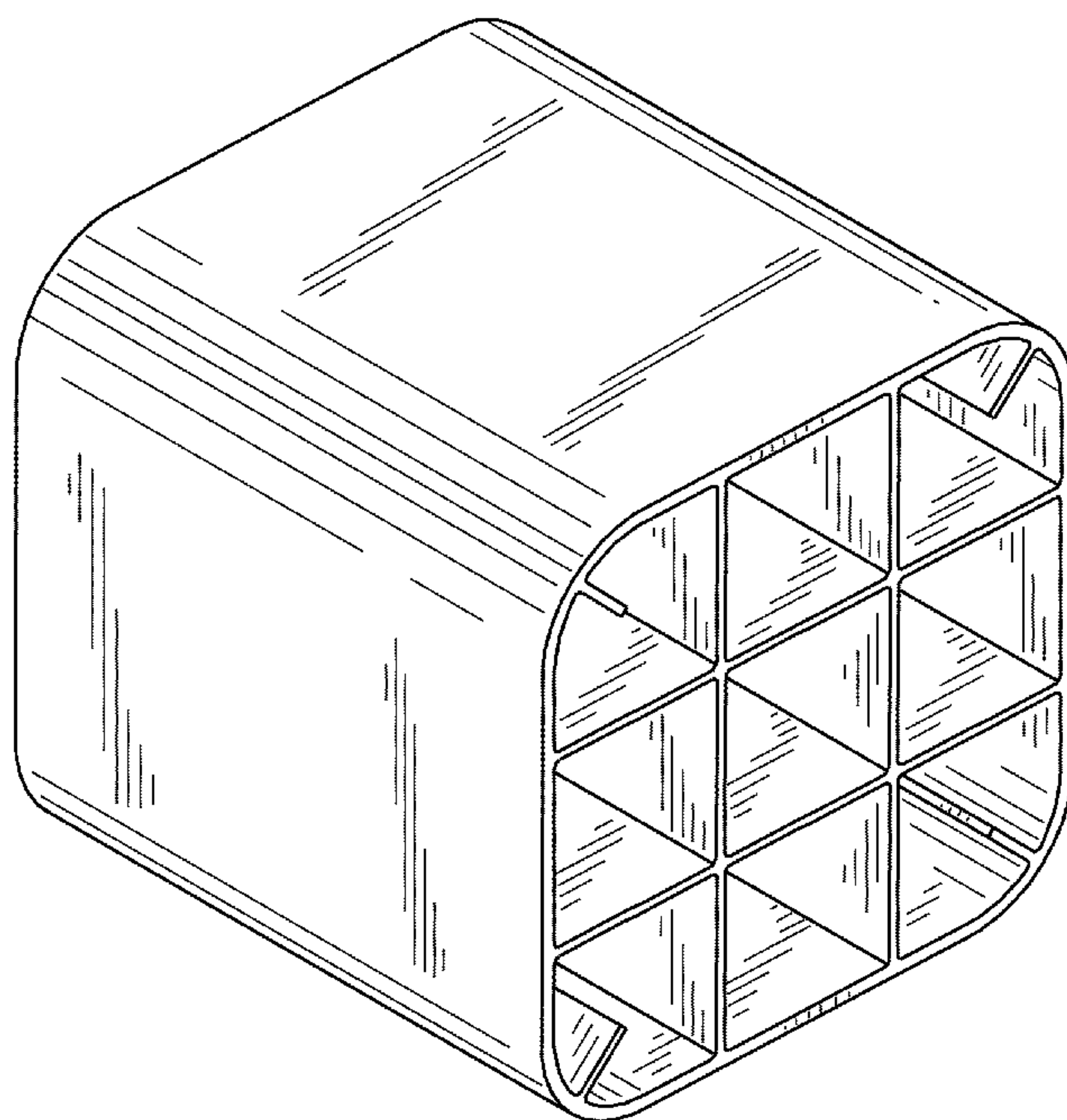
FIG. 1 is a perspective view of the moving bed bioreactor carrier of the present invention;  
 FIG. 2 is a front elevational view of the moving bed bioreactor carrier of FIG. 1, the rear elevational view being a mirror image of the front elevational view shown;  
 FIG. 3 is a left side view of the moving bed bioreactor carrier of FIG. 1, the right side view, top view and bottom view being essentially identical to the left side view shown; and,  
 FIG. 4 is a perspective view of an alternate embodiment, the edges shown fragmented to indicate non-specified length.

**1 Claim, 2 Drawing Sheets**

(56) **References Cited**

U.S. PATENT DOCUMENTS

3,957,931	A *	5/1976	Ellis et al.	.....	261/98
4,382,046	A *	5/1983	Frohwerk	.....	261/94
4,481,155	A *	11/1984	Frohwerk	.....	261/94
4,490,312	A *	12/1984	Furr	.....	261/98
5,783,069	A *	7/1998	Frank	.....	210/150



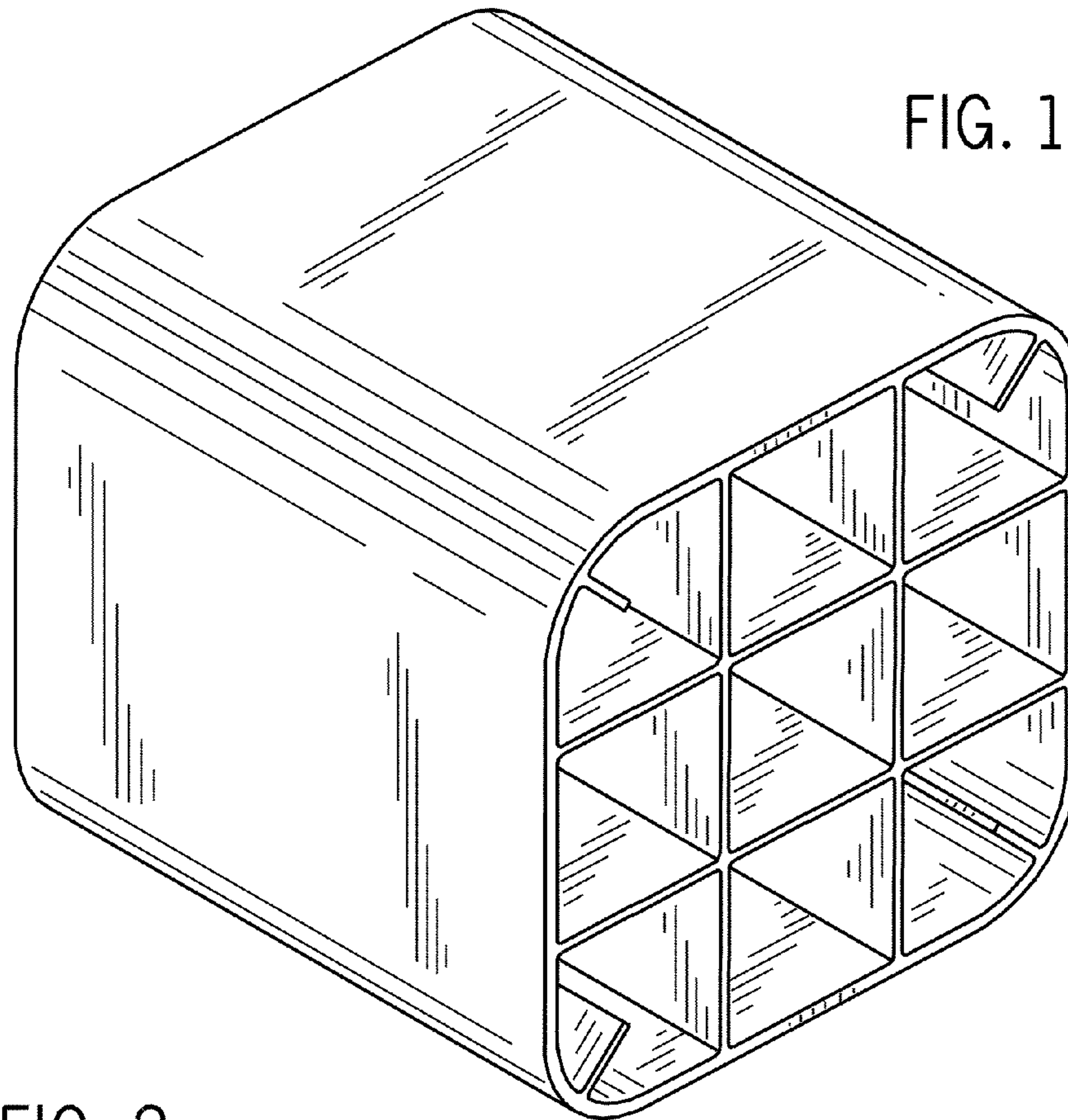


FIG. 2

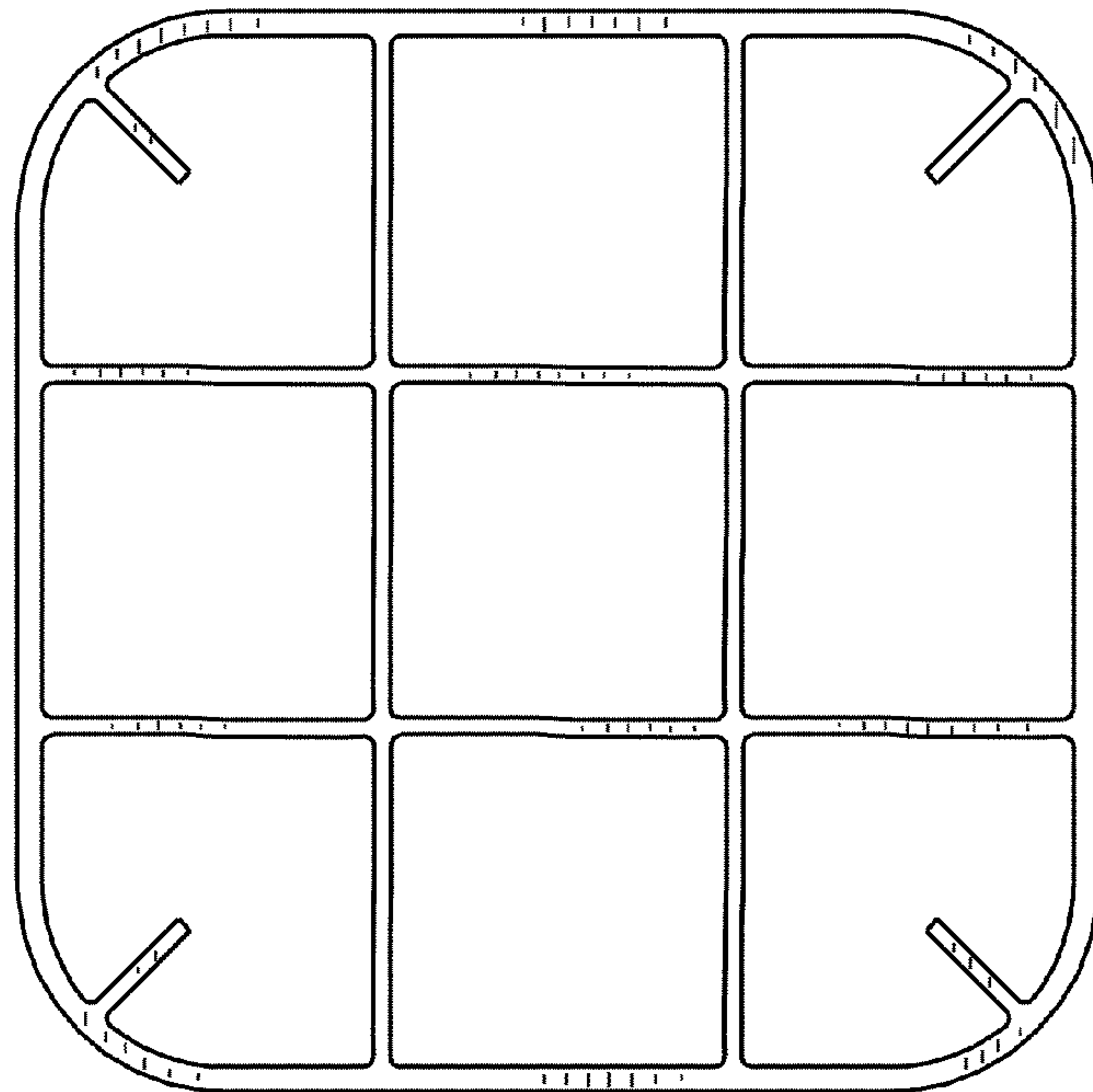


FIG. 3

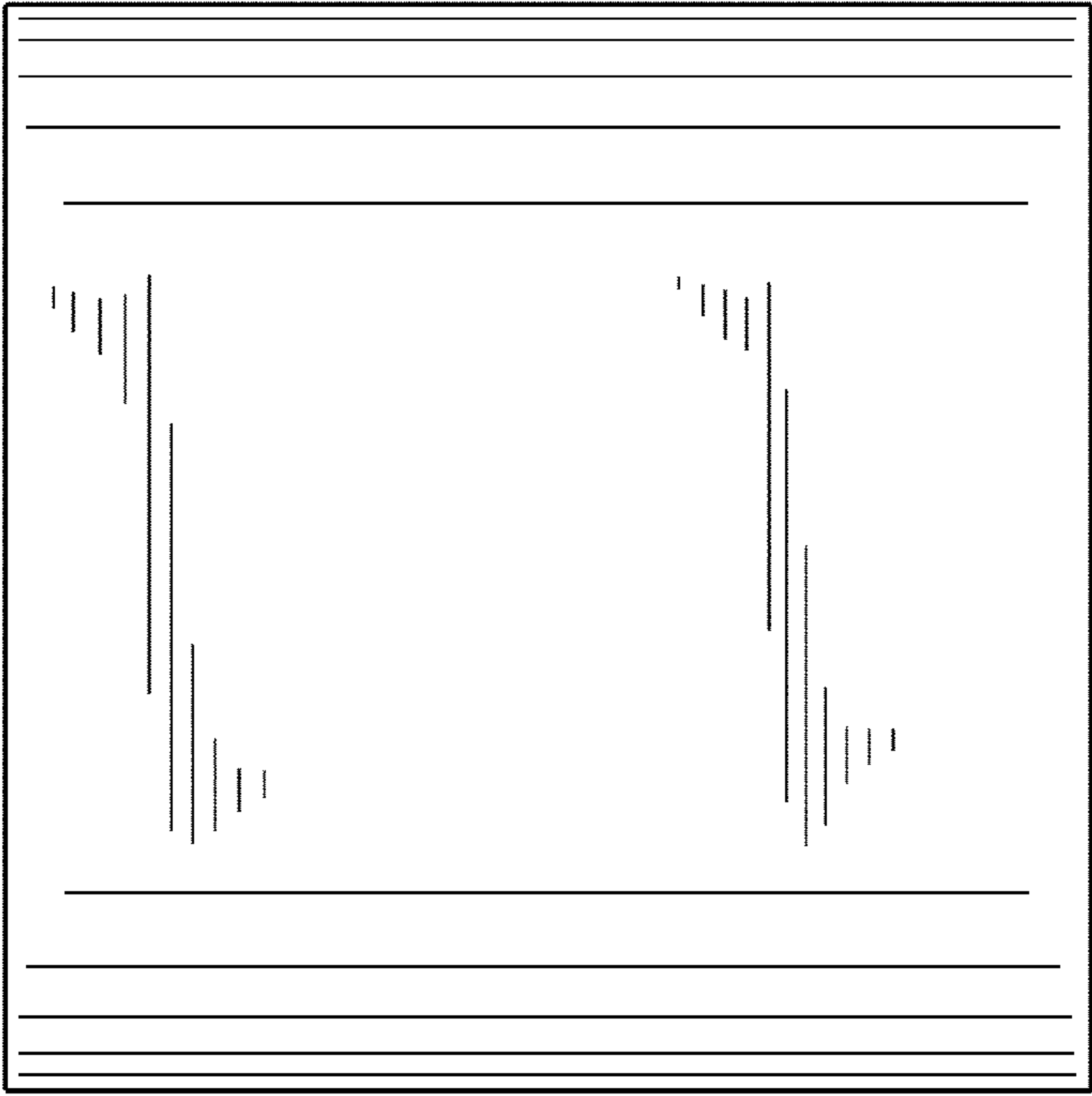


FIG. 4

