



US00D661777S

(12) **United States Design Patent**
Broderick

(10) **Patent No.:** **US D661,777 S**

(45) **Date of Patent:** **** Jun. 12, 2012**

(54) **FISHING POLE HOLDER**

(75) Inventor: **Danny R. Broderick**, West Bountiful,
UT (US)

(73) Assignee: **Danny R. Broderick**, West Bountiful,
UT (US)

(**) Term: **14 Years**

(21) Appl. No.: **29/386,107**

(22) Filed: **Feb. 24, 2011**

(51) **LOC (9) Cl.** **22-05**

(52) **U.S. Cl.** **D22/147**

(58) **Field of Classification Search** D22/147-148;
43/16-17, 21.2; D3/221; 224/267, 922;
248/515-538; 211/70.8; D6/552-553

See application file for complete search history.

(56) **References Cited**

U.S. PATENT DOCUMENTS

2,139,826	A	12/1938	Huntly	
3,341,157	A	9/1967	Duncan	
4,656,774	A	4/1987	Terrill	
D303,564	S *	9/1989	Ewald	D22/147
4,866,873	A	9/1989	Van Valkenburg	
4,949,498	A	8/1990	Cecchetti	
5,038,511	A	8/1991	Gessner	
5,345,708	A	9/1994	Loyd	
D359,793	S *	6/1995	Medlin et al.	D22/147
5,488,798	A *	2/1996	Beachel	43/21.2
D409,274	S *	5/1999	Morse et al.	D22/147
6,185,855	B1	2/2001	Sizer et al.	
6,216,998	B1	4/2001	Butrymowicz	
D485,601	S *	1/2004	Bertram	D22/147
6,820,379	B1 *	11/2004	Krinner et al.	248/530

7,257,922 B2 * 8/2007 Willard 43/21.2
D589,113 S * 3/2009 Perry D22/147
D618,759 S * 6/2010 Rouwhorst et al. D22/147

* cited by examiner

Primary Examiner — Catheri Oliver

(74) *Attorney, Agent, or Firm* — Pate Baird, PLLC

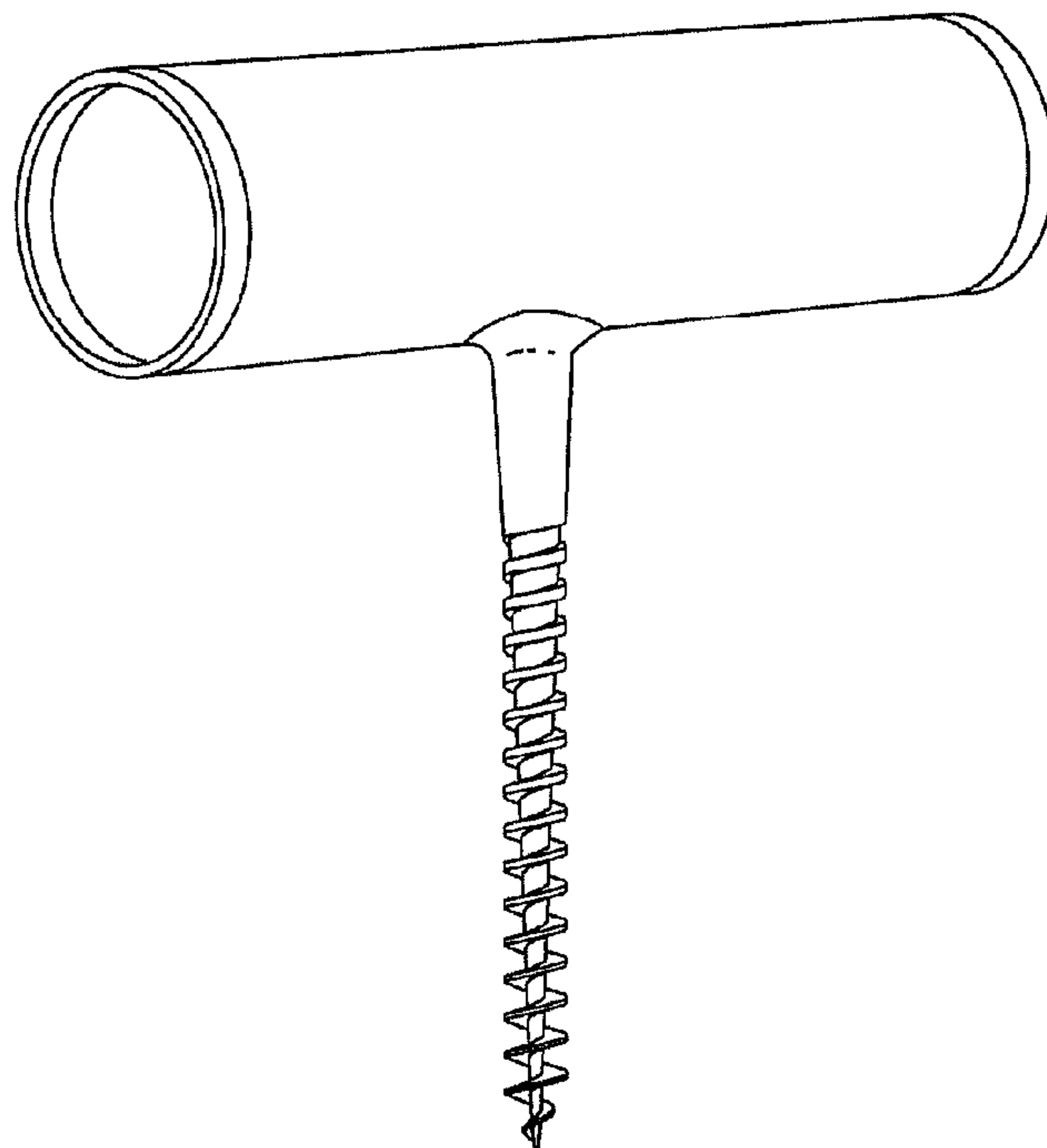
(57) **CLAIM**

The ornamental design for a fishing pole holder, as shown and described.

DESCRIPTION

FIG. 1 is a perspective view of a fishing pole holder apparatus in accordance with my new design; FIG. 2 is a rear perspective view thereof; FIG. 3 is a front elevation view thereof; FIG. 4 is a rear elevation view thereof; FIG. 5 is a left end elevation view thereof; FIG. 6 is a right end elevation view thereof; FIG. 7 is a top plan view thereof; FIG. 8 is a bottom plan view thereof; FIG. 9 is a frontal perspective view of a fishing pole holder in accordance with my new design in use with a fishing pole placed therein; and, FIG. 10 is a rear perspective view of an apparatus in accordance with my new design, anchored into the ice, and securing the handle of a fishing pole therein. The broken line showing of environment in the drawings is for illustrative purposes only and forms no part of the claimed design;

1 Claim, 6 Drawing Sheets



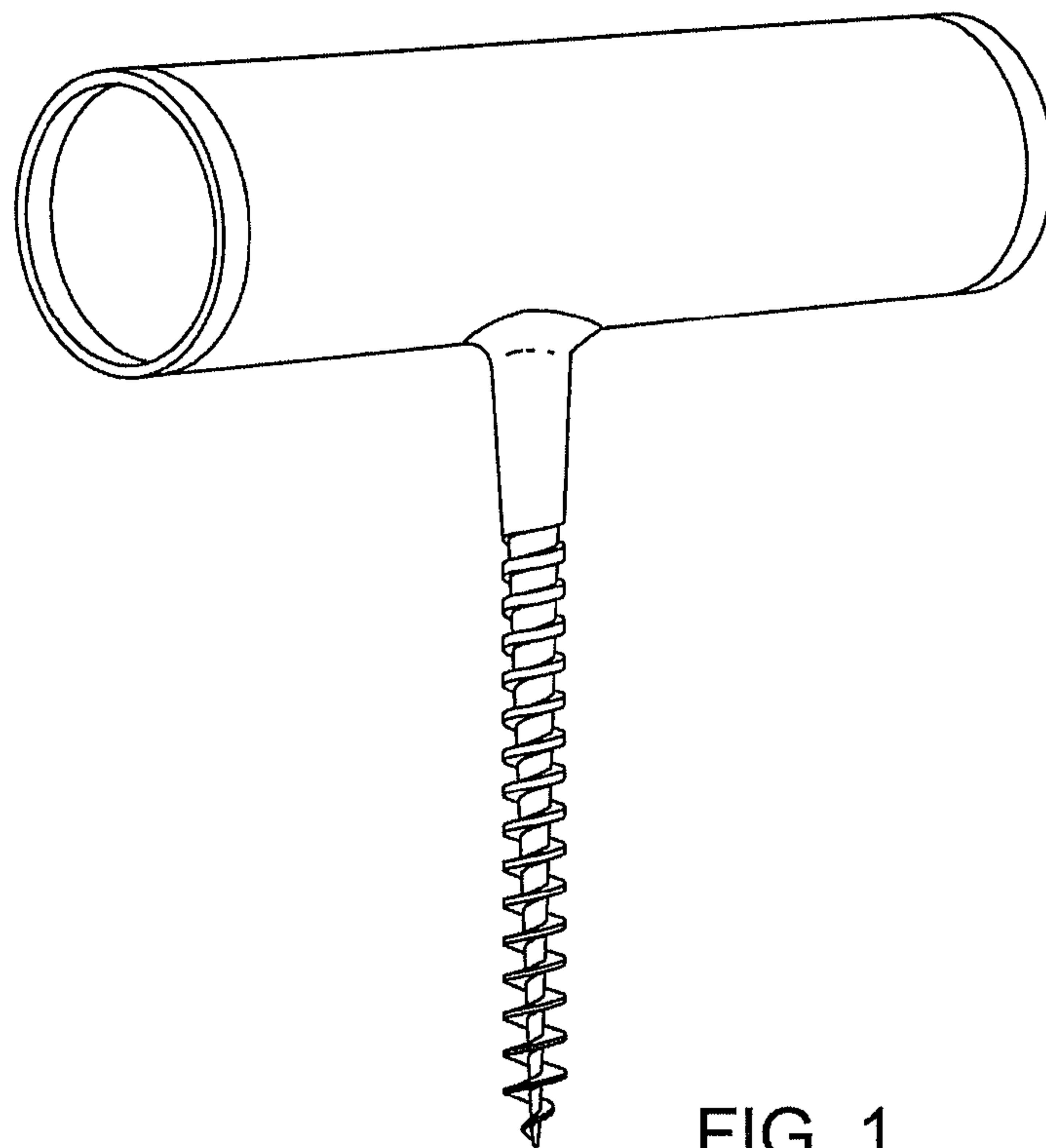


FIG. 1

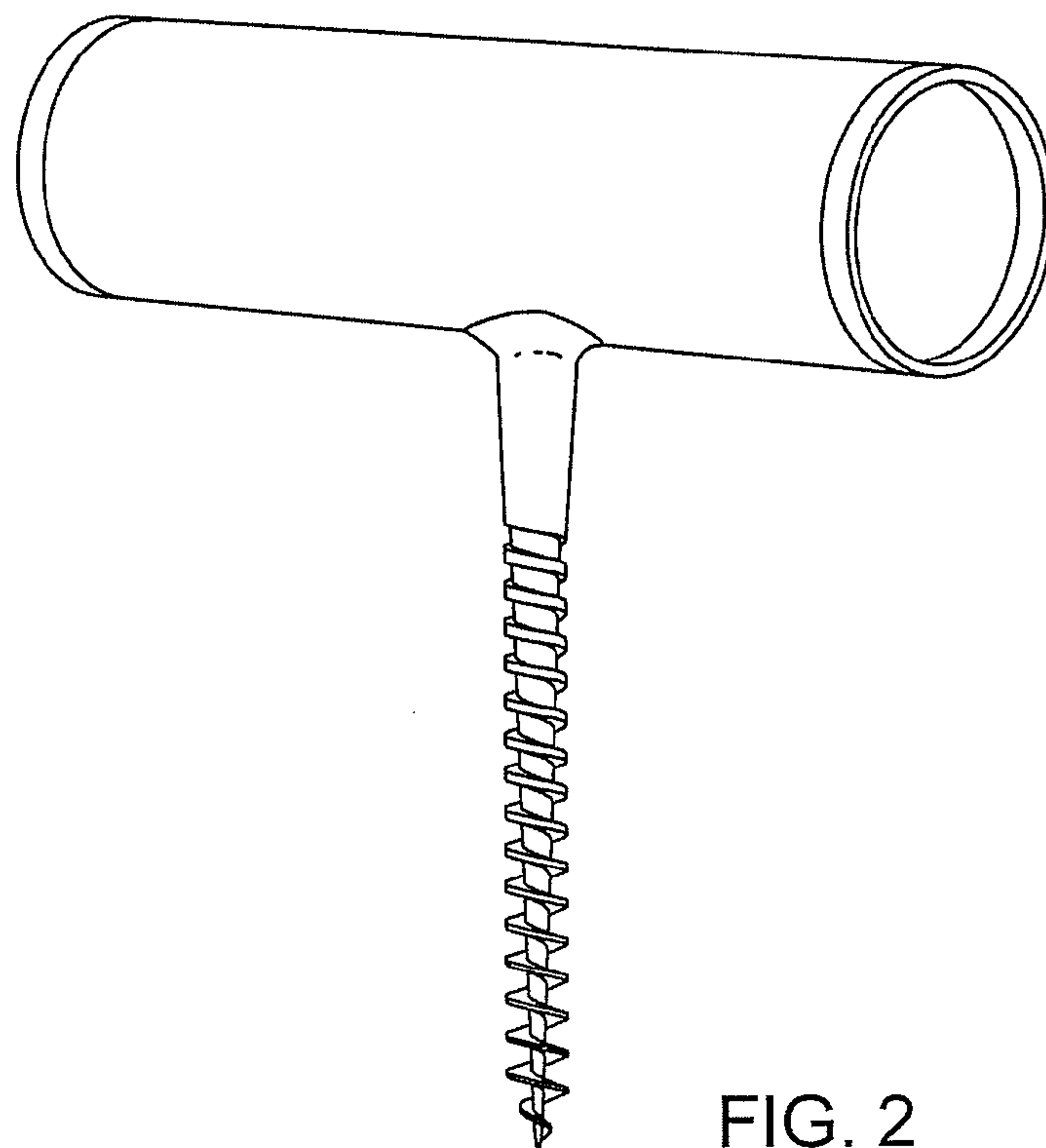


FIG. 2

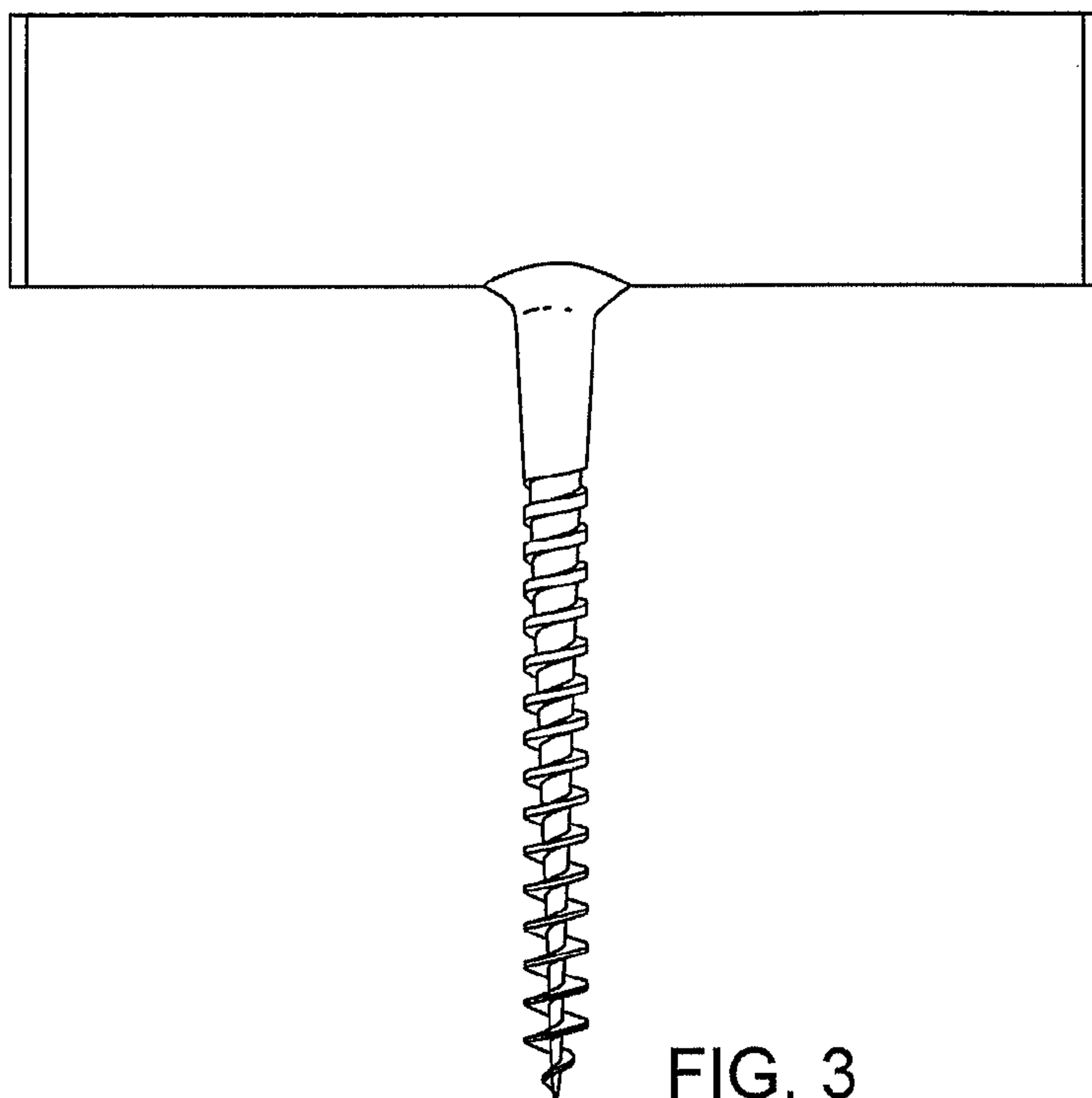


FIG. 3

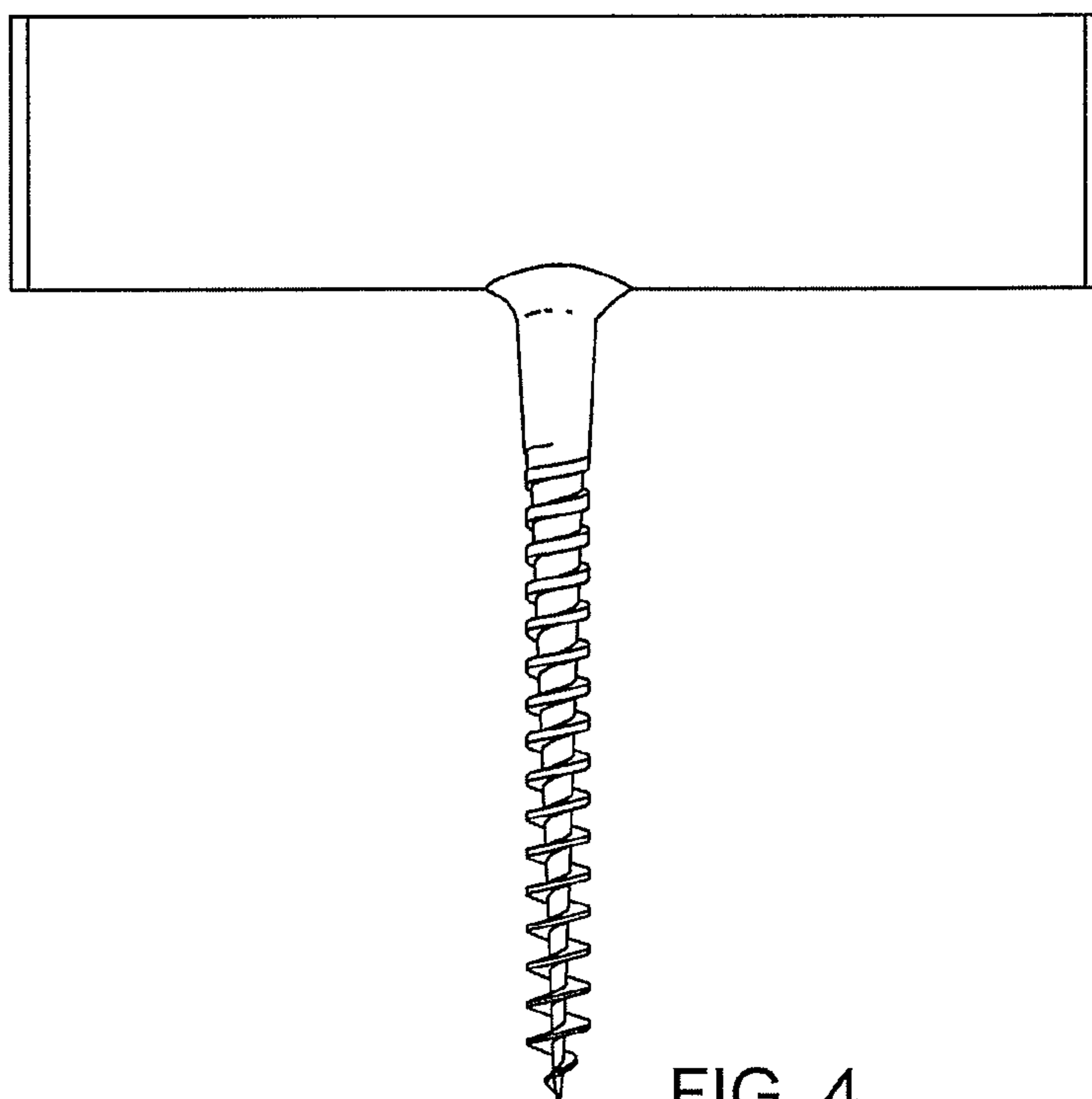


FIG. 4

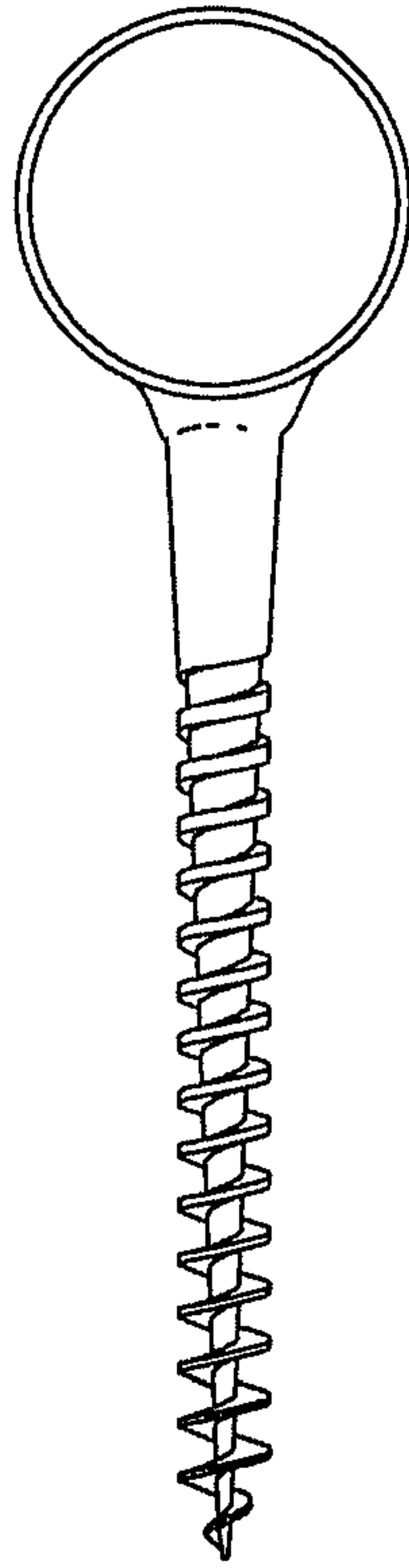


FIG. 5

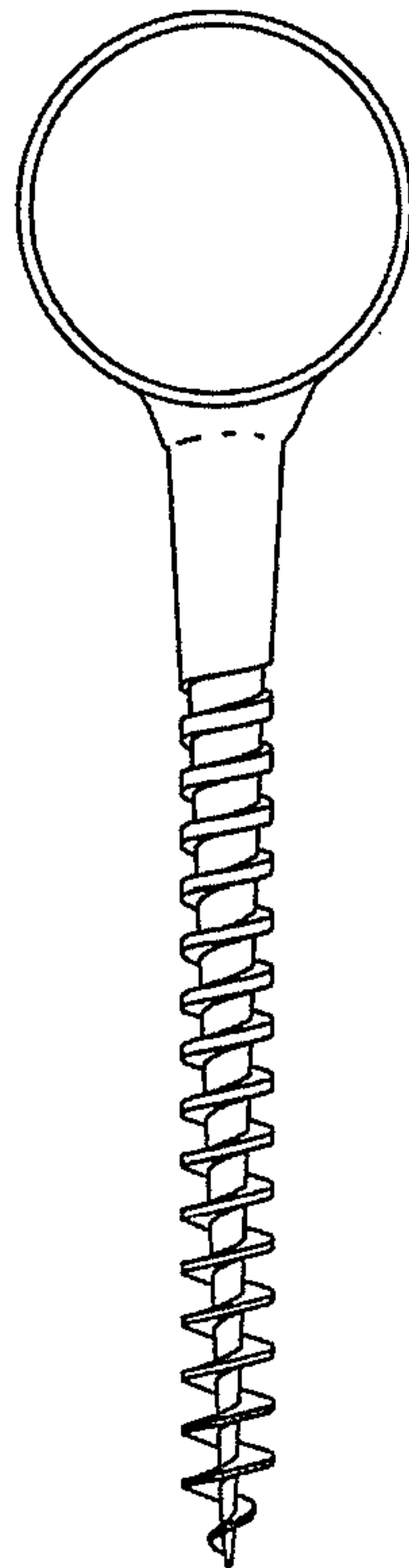


FIG. 6

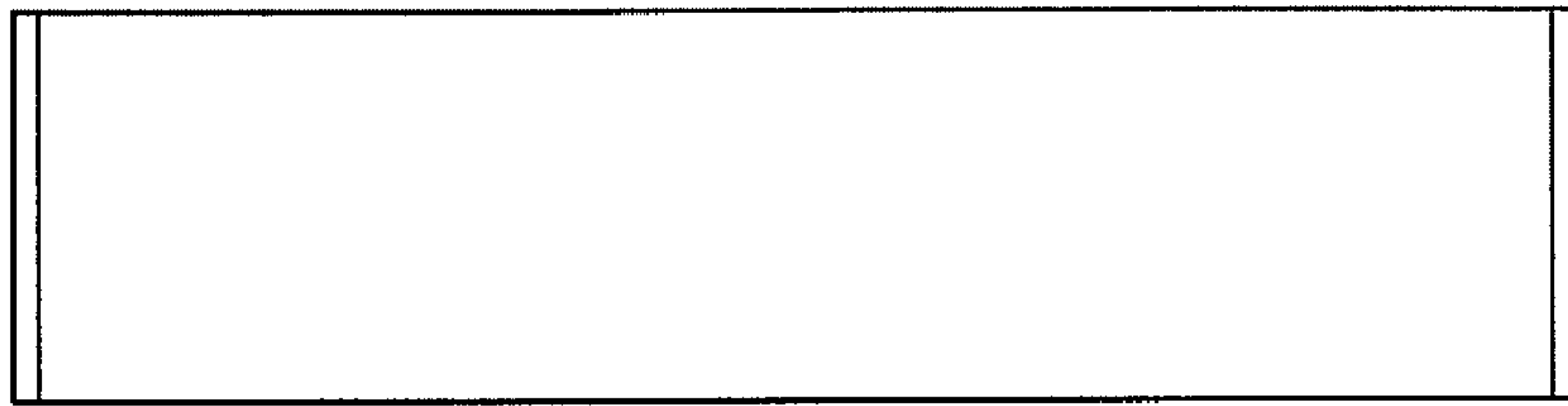


FIG. 7

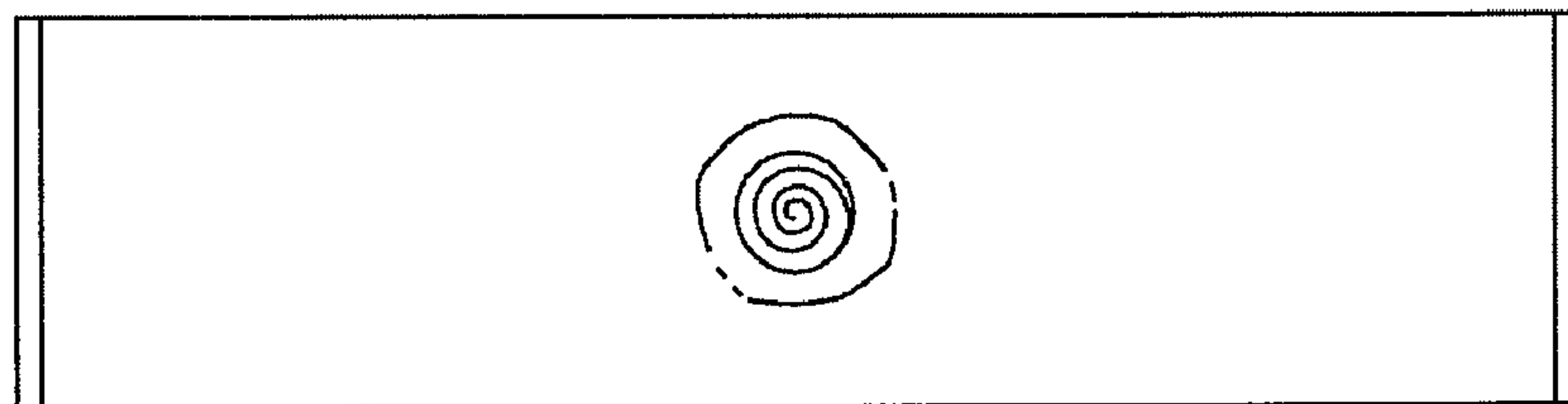


FIG. 8

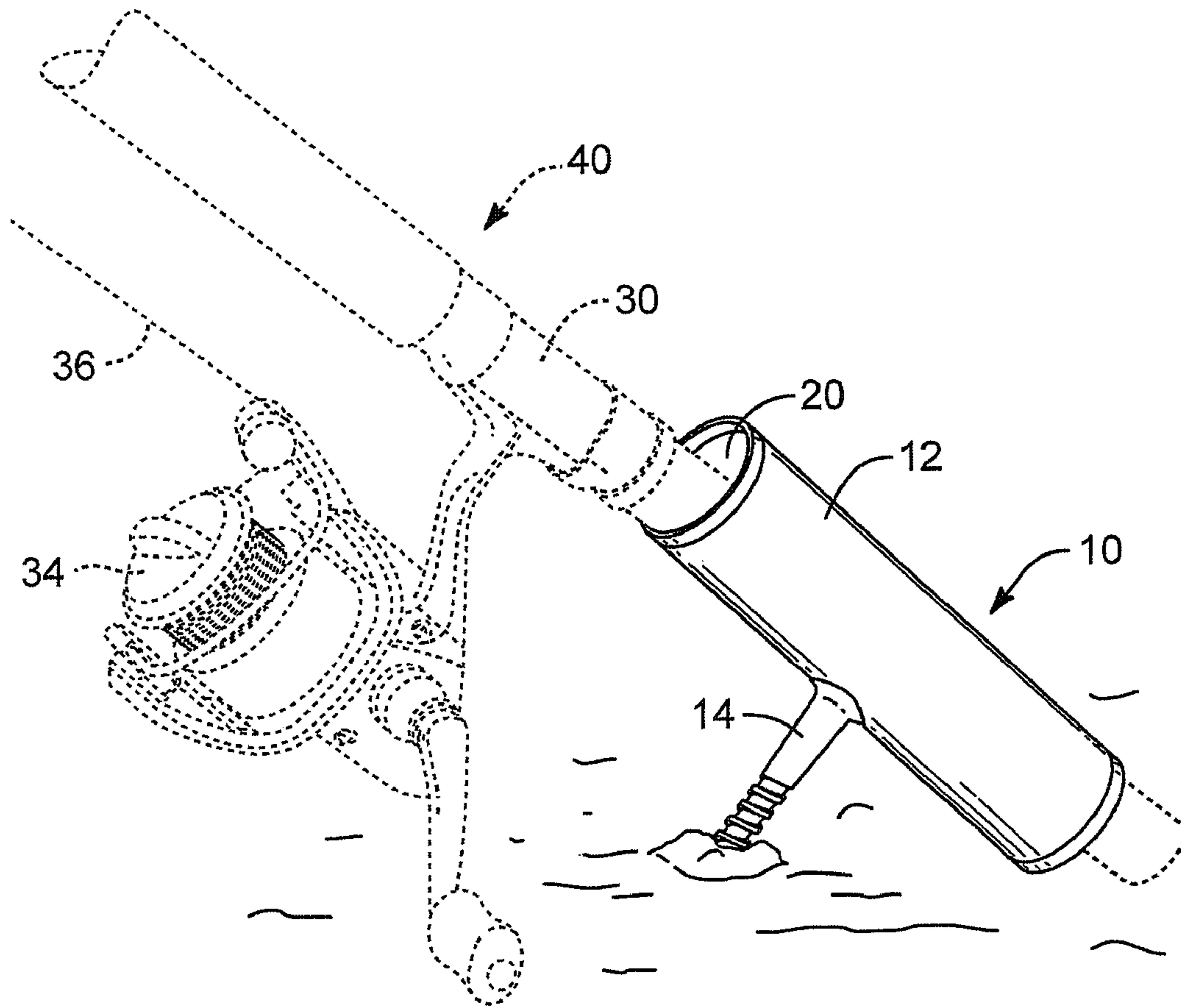


FIG. 9

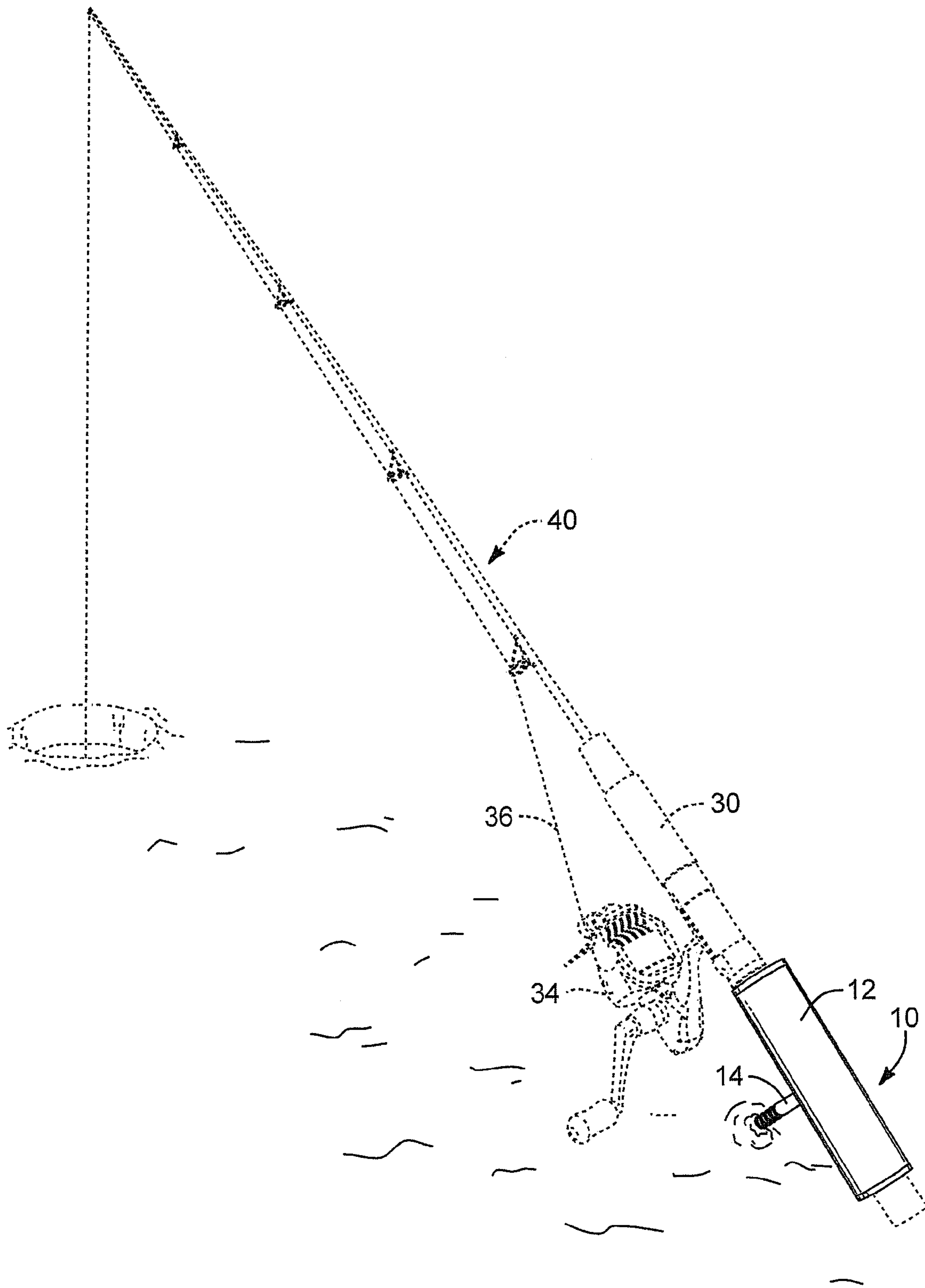


FIG. 10