



US00D661776S

(12) **United States Design Patent**  
**Toma et al.**

(10) **Patent No.:** **US D661,776 S**  
(45) **Date of Patent:** **\*\* Jun. 12, 2012**

(54) **LINE GUIDE FOR FISHING REEL**  
(75) Inventors: **Hiroshi Toma**, Higashikurume (JP);  
**Shuta Kano**, Higashikurume (JP);  
**Wataru Tsutsumi**, Higashikurume (JP);  
**Masakazu Noguchi**, Higashikurume (JP);  
**Takashi Kondoh**, Musashino (JP)

D501,530 S \* 2/2005 Lee ..... D22/143  
D526,381 S \* 8/2006 Gustlin ..... D22/143  
D639,897 S \* 6/2011 Omura ..... D22/143

\* cited by examiner

*Primary Examiner* — Catheri Oliver  
(74) *Attorney, Agent, or Firm* — Sughrue Mion, PLLC

(73) Assignee: **Globeride, Inc.**, Tokyo (JP)

(57) **CLAIM**

(\*\*) Term: **14 Years**

The ornamental design for a line guide for fishing reel, as shown and described.

(21) Appl. No.: **29/393,097**

**DESCRIPTION**

(22) Filed: **May 31, 2011**

(30) **Foreign Application Priority Data**

Jan. 21, 2011 (JP) ..... D. 2011-001143

(51) **LOC (9) Cl.** ..... **22-05**

(52) **U.S. Cl.** ..... **D22/143**

(58) **Field of Classification Search** ..... D22/143,  
D22/138-139; 43/24

See application file for complete search history.

FIG. 1 is a perspective view of a line guide for fishing reel showing our new design;  
FIG. 2 is a front view thereof;  
FIG. 3 is a rear view thereof;  
FIG. 4 is a left side view thereof;  
FIG. 5 is a right side view thereof;  
FIG. 6 is a top plan view thereof; and,  
FIG. 7 is a bottom view thereof.

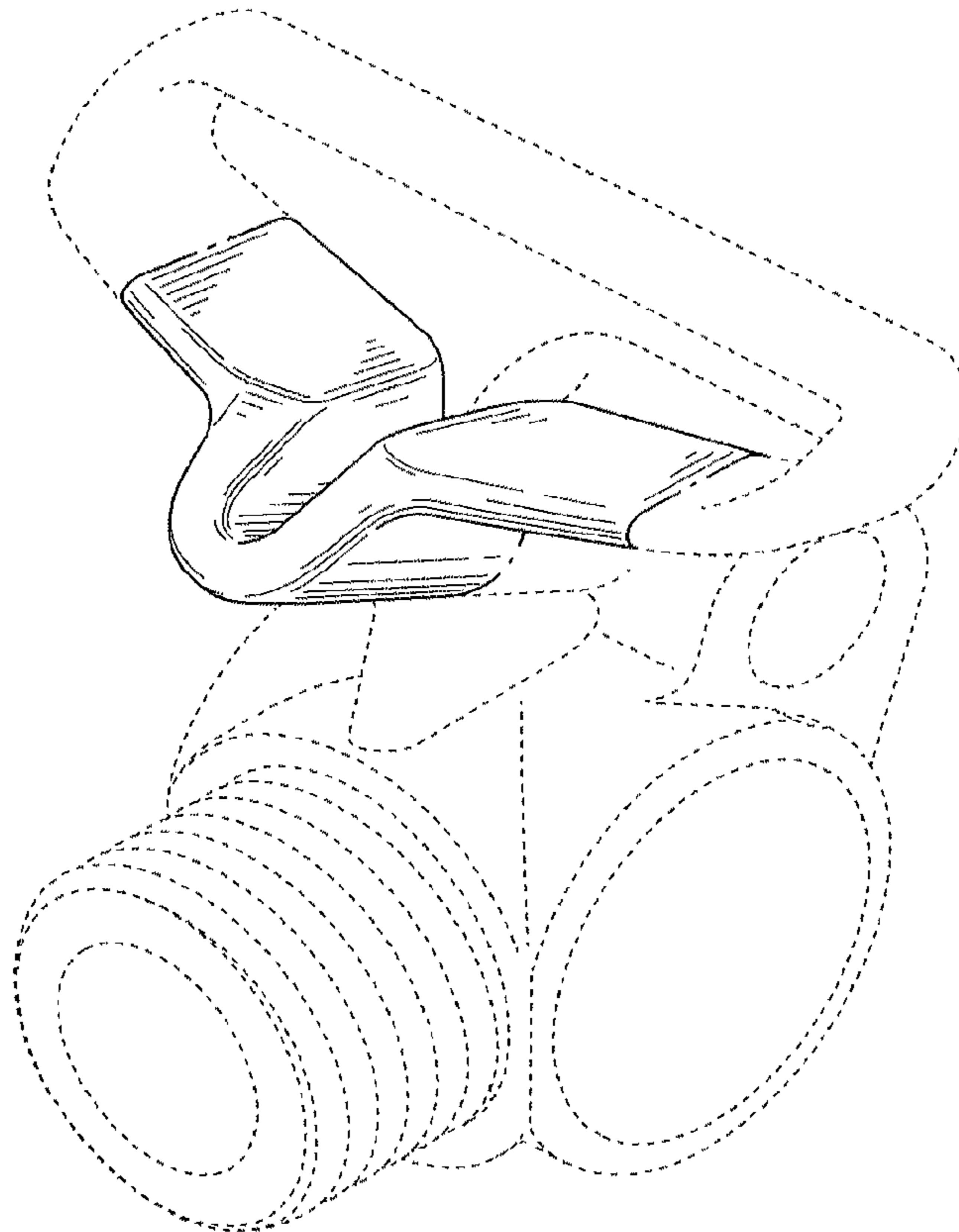
The dot-dashed broken lines immediately adjacent the shaded areas represent the bounds of the claimed design while all other broken lines are directed to environment and are for illustrative purpose only; the broken lines form no part of the claimed design.

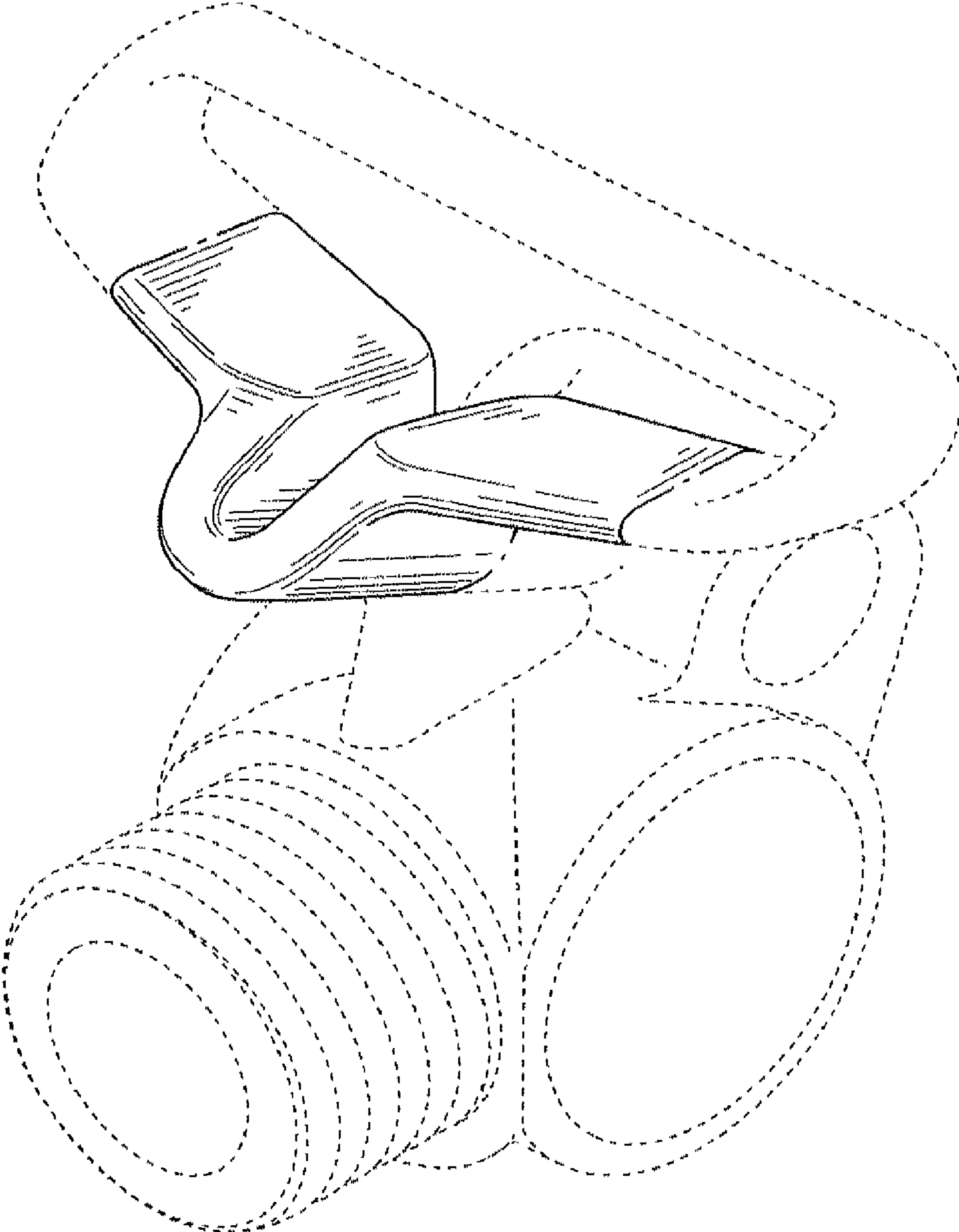
(56) **References Cited**

**U.S. PATENT DOCUMENTS**

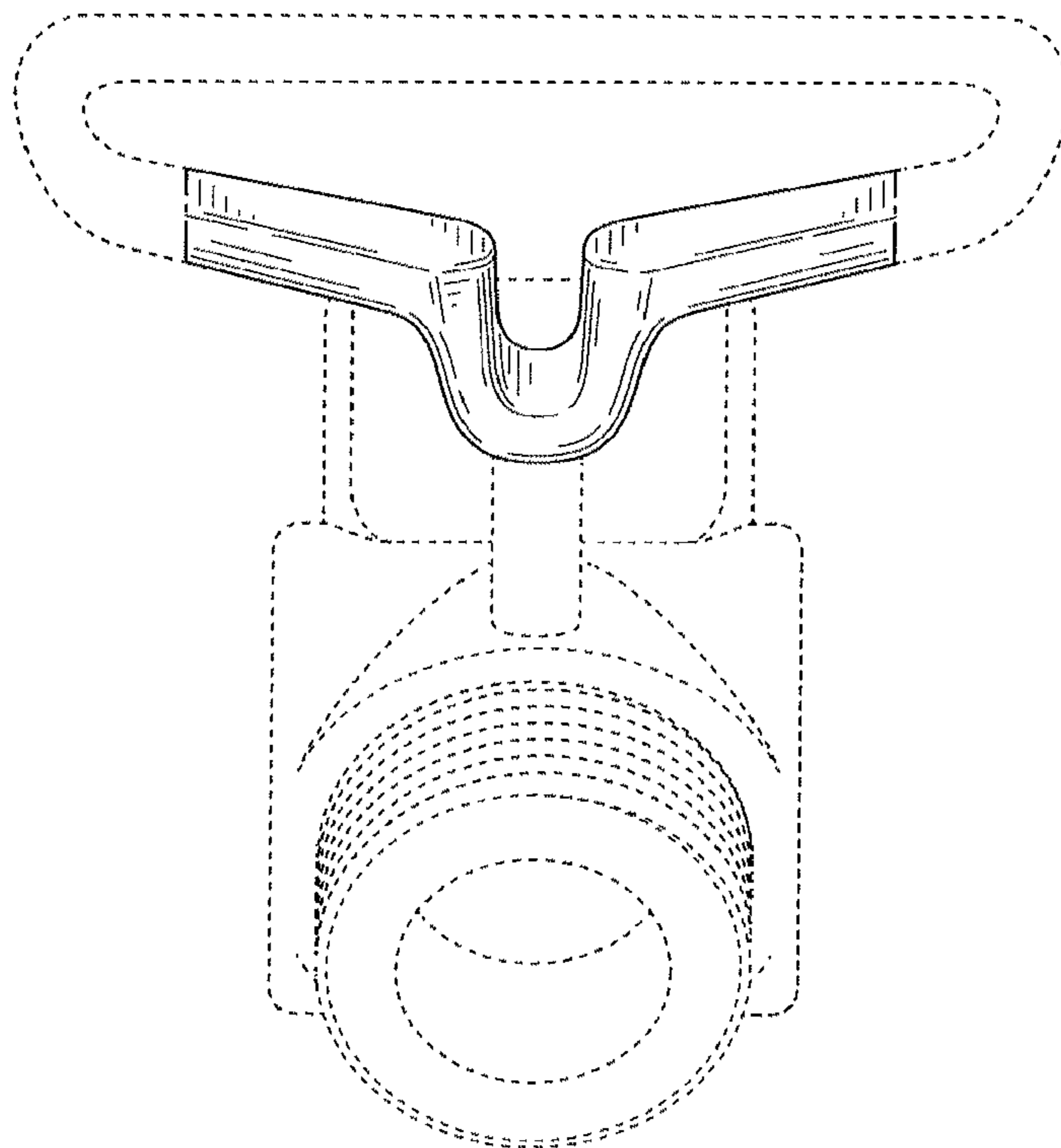
2,992,506 A \* 7/1961 Garbolino ..... 43/24  
3,210,881 A \* 10/1965 Wilson ..... 43/24

**1 Claim, 4 Drawing Sheets**

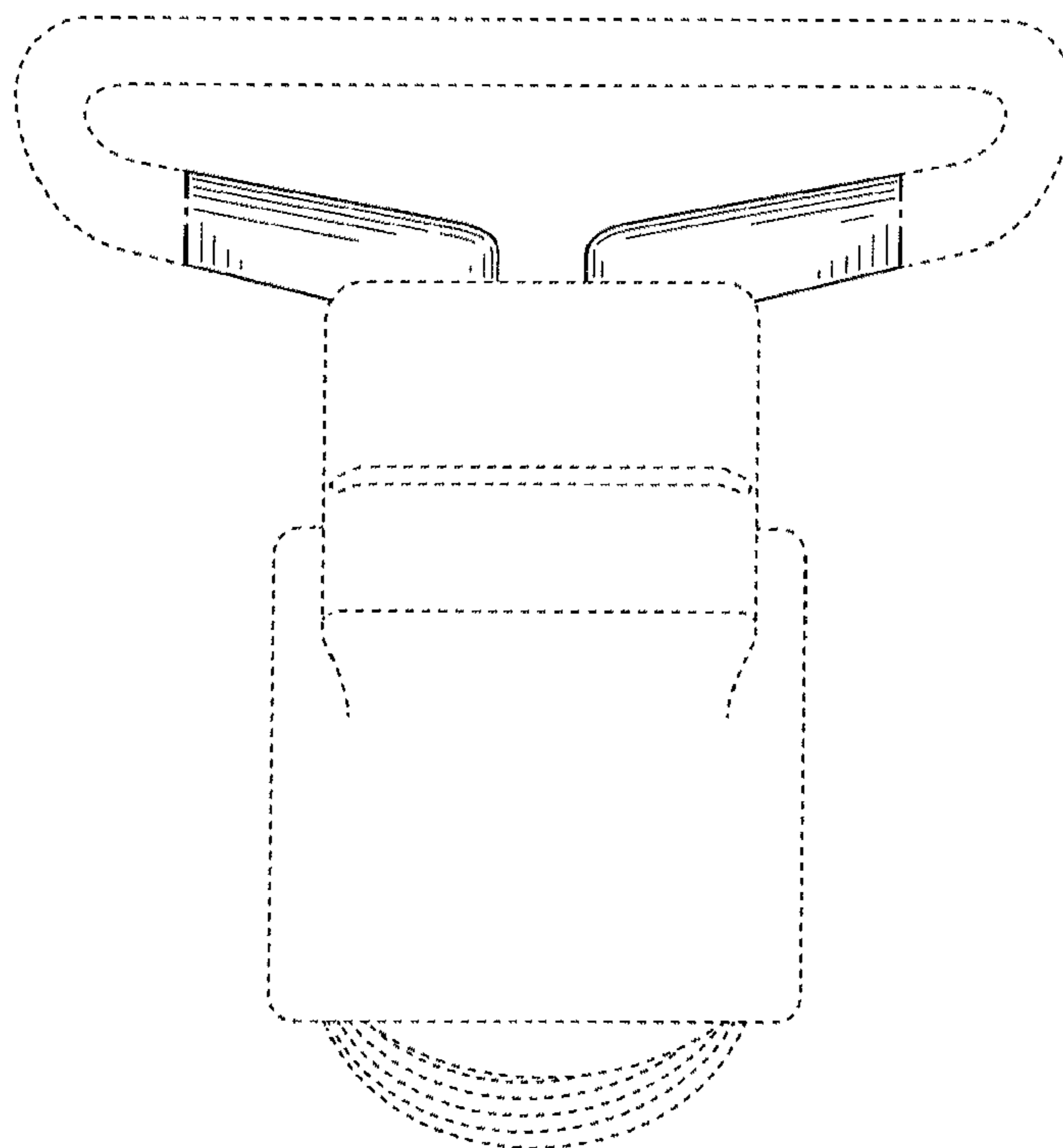




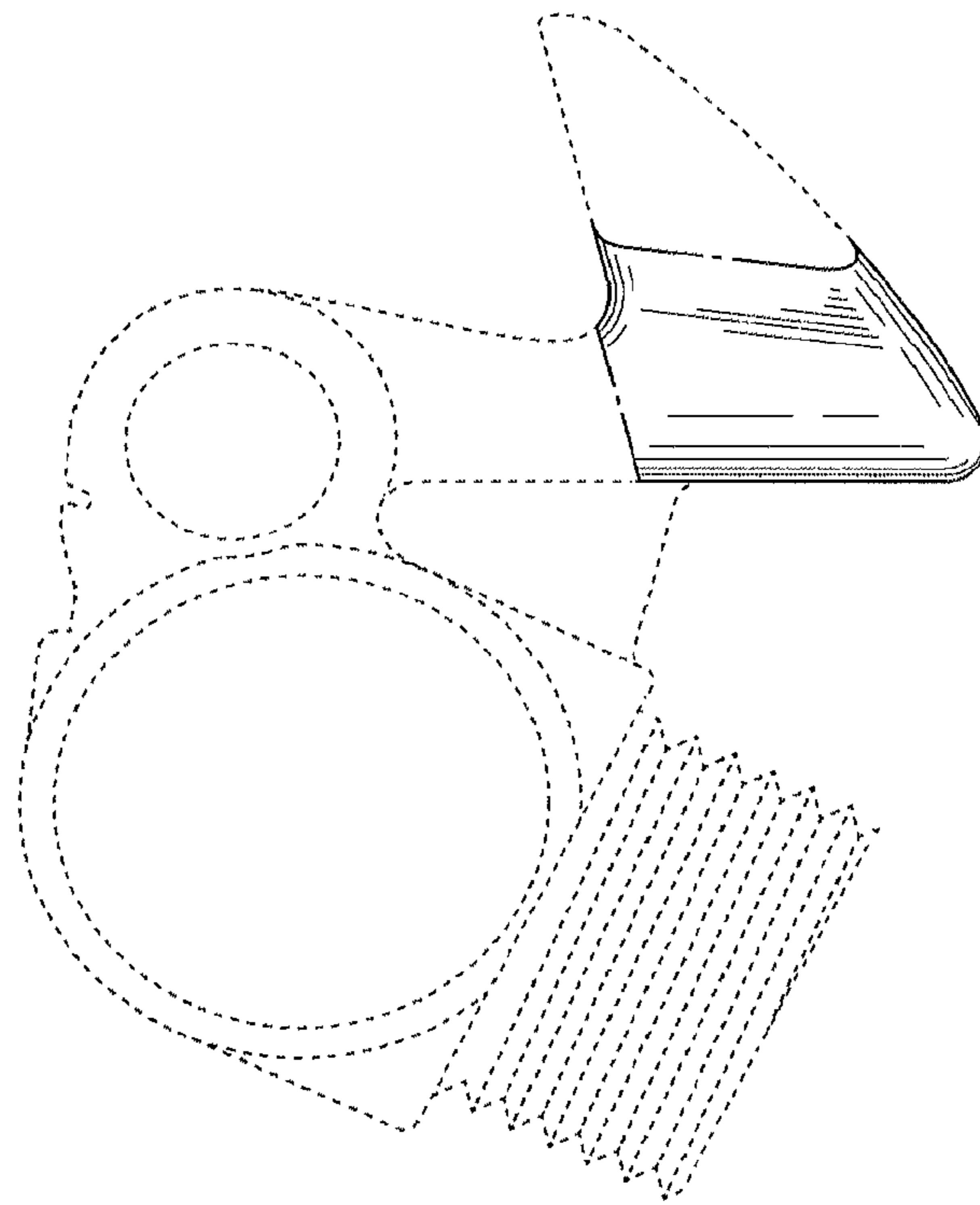
**FIG. 1**



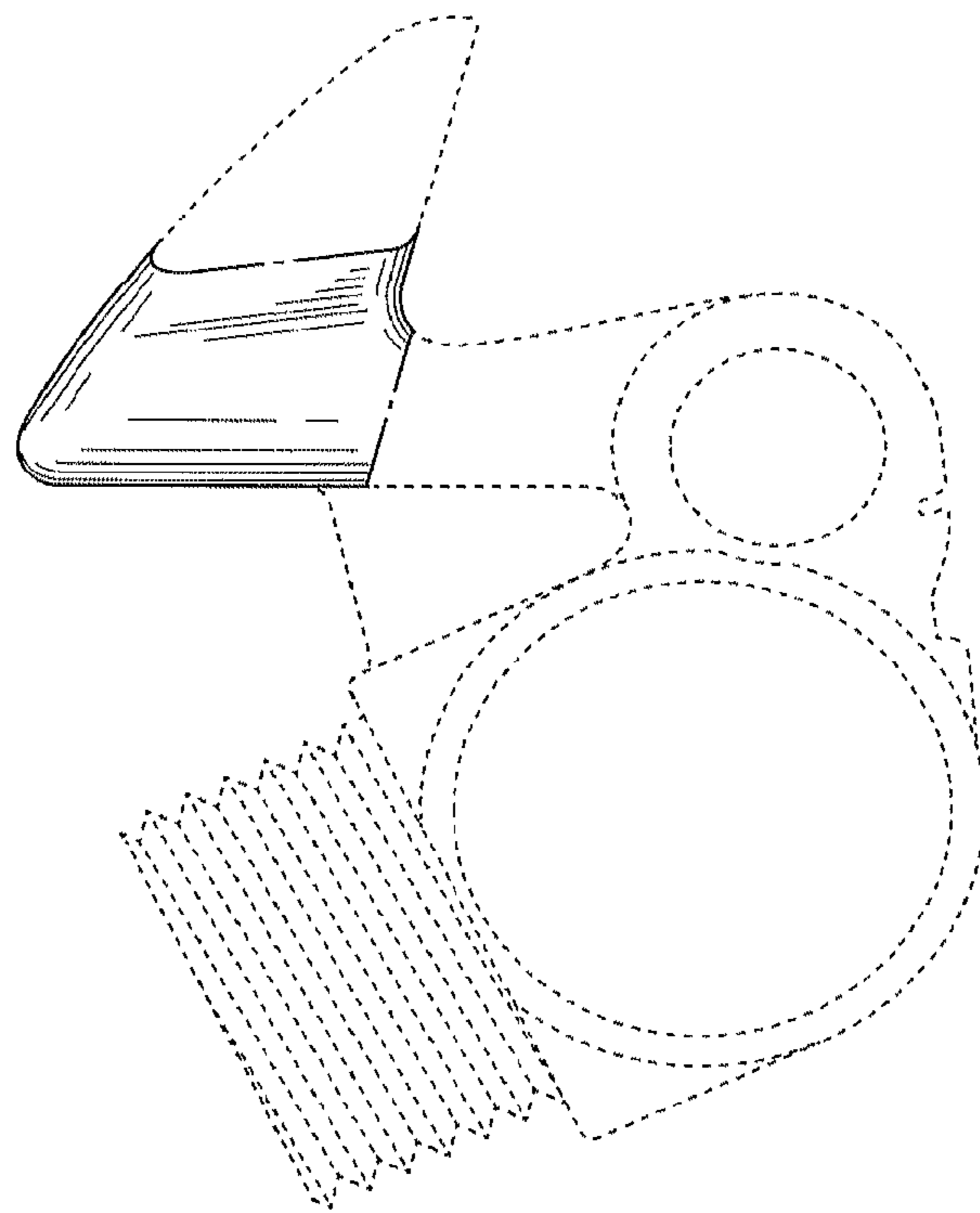
**FIG. 2**



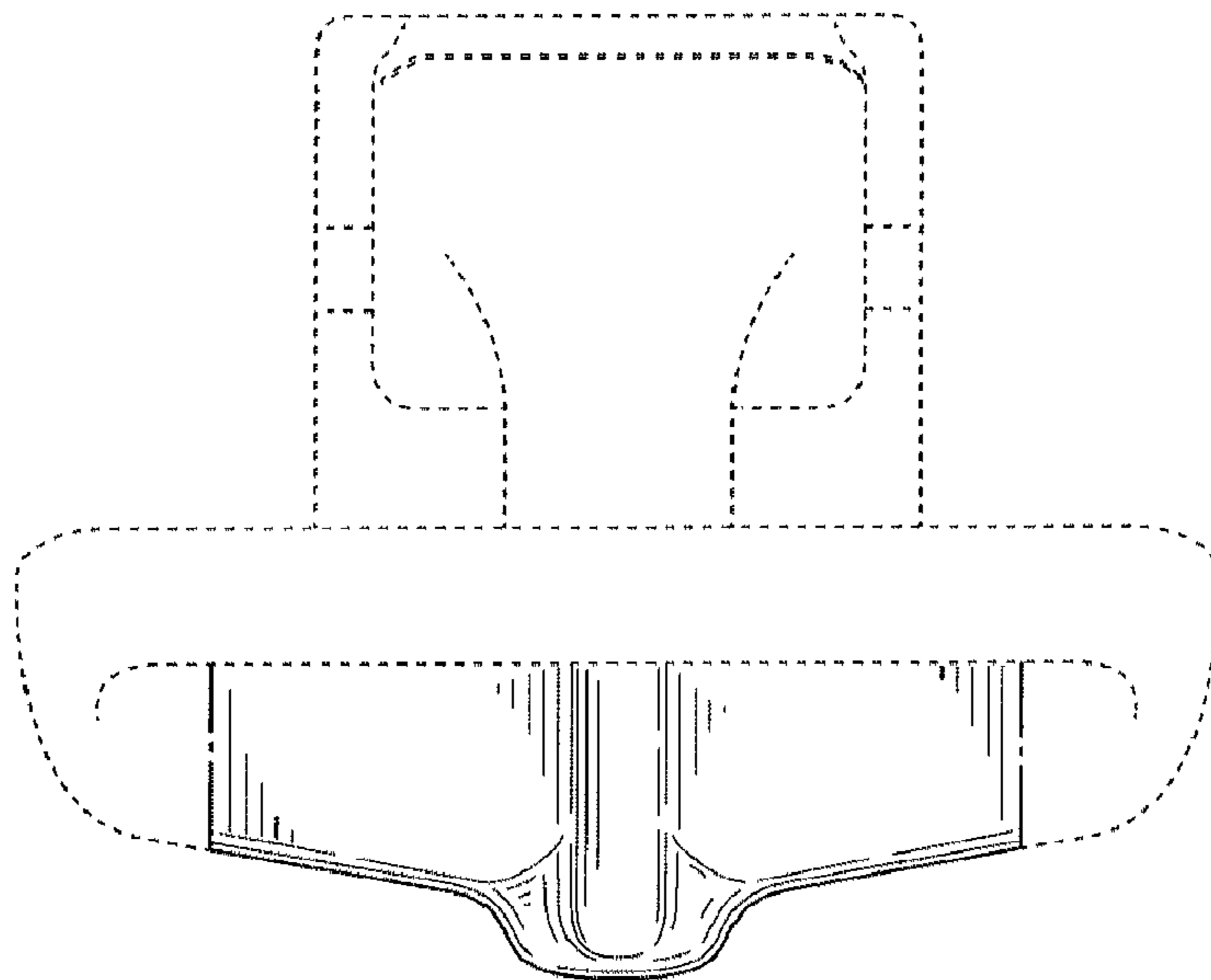
**FIG. 3**



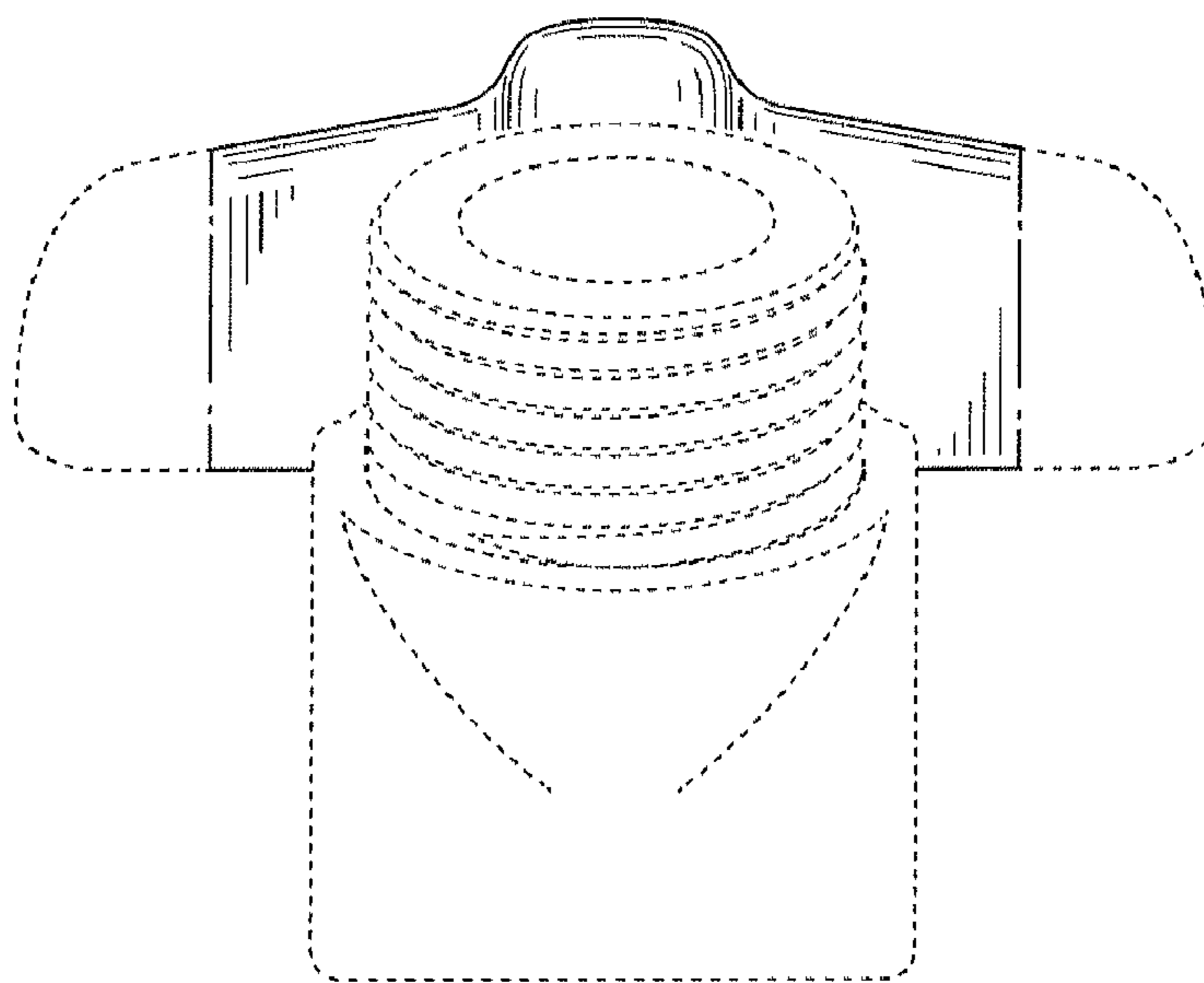
**FIG. 4**



**FIG. 5**



**FIG. 6**



**FIG. 7**