



US00D661775S

(12) **United States Design Patent**
Nago et al.

(10) **Patent No.:** **US D661,775 S**
(45) **Date of Patent:** **** Jun. 12, 2012**

(54) **FISHING REEL PORTION**

(75) Inventors: **Akira Nago**, Osaka (JP); **Masakazu Iwabuchi**, Osaka (JP)

(73) Assignee: **Shimano Inc.**, Osaka (JP)

(**) Term: **14 Years**

(21) Appl. No.: **29/406,882**

(22) Filed: **Nov. 21, 2011**

(30) **Foreign Application Priority Data**

May 31, 2011 (JP) 2011-12254

(51) **LOC (9) Cl.** **22-05**

(52) **U.S. Cl.** **D22/140**

(58) **Field of Classification Search** D22/137-140;
242/310, 223-224, 314, 323, 370; 43/19-21
See application file for complete search history.

(56) **References Cited**

U.S. PATENT DOCUMENTS

D352,989 S *	11/1994	Park	D22/140
D366,690 S *	1/1996	Storz	D22/140
D400,639 S *	11/1998	Ito et al.	D22/140
6,032,894 A *	3/2000	Chapman et al.	242/310
D500,547 S *	1/2005	Gray	D22/140

* cited by examiner

Primary Examiner — Catheri Oliver

(74) *Attorney, Agent, or Firm* — Global IP Counselors, LLP

(57) **CLAIM**

The ornamental design for fishing reel portion, as shown and described.

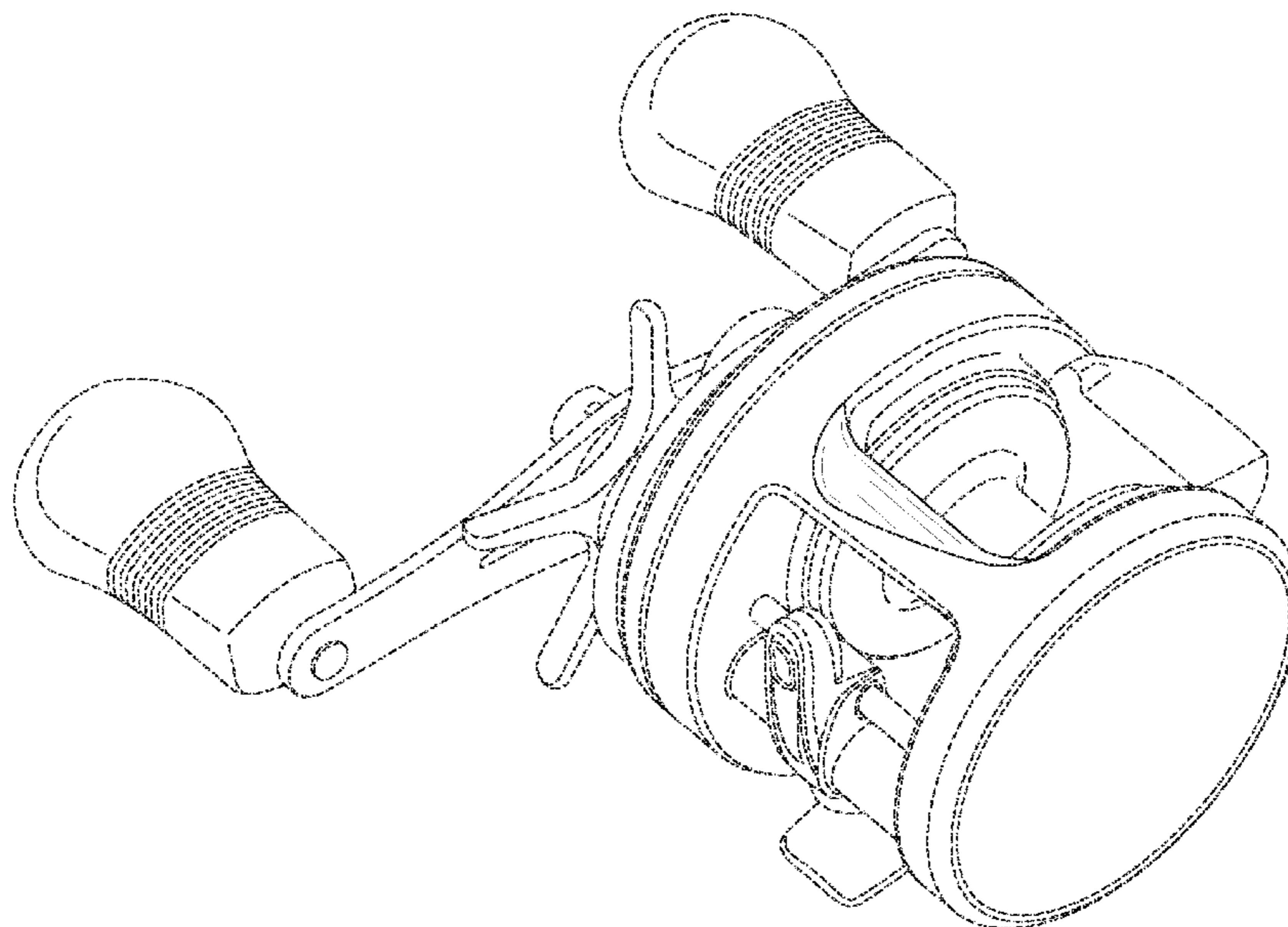
DESCRIPTION

FIG. 1 is a first perspective view of a fishing reel with a fishing reel portion in accordance with our new design;
 FIG. 2 is a second perspective view of the fishing reel illustrated in FIG. 1, with the fishing reel portion being hidden;
 FIG. 3 is a front elevational view of the fishing reel illustrated in FIG. 1, with the fishing reel portion being hidden;
 FIG. 4 is a rear elevational view of the fishing reel illustrated in FIG. 1, with the fishing reel portion being hidden;
 FIG. 5 is a top plan view of the fishing reel with the fishing reel portion illustrated in FIG. 1;
 FIG. 6 is a bottom plan view of the fishing reel illustrated in FIG. 1, with the fishing reel portion being hidden;
 FIG. 7 is a first side elevational view of the fishing reel with the fishing reel portion illustrated in FIG. 1;
 FIG. 8 is a second side elevational view of the fishing reel illustrated in FIG. 1, with the fishing reel portion being hidden;
 FIG. 9 is a first enlarged, partial perspective view of the fishing reel with the fishing reel portion illustrated in FIG. 1;
 FIG. 10 is a second enlarged, partial perspective view of the fishing reel with the fishing reel portion illustrated in FIG. 1;
 FIG. 11 is an enlarged, partial top plan view of the fishing reel with the fishing reel portion illustrated in FIG. 1; and,
 FIG. 12 is a first enlarged, partial top plan view, similar to FIG. 11, of a fishing reel portion that identical to FIG. 1, but where both side boundaries of the fishing reel portion are shown in broken lines.

The broken line illustration of the environmental structure (the remaining structure of the fishing reel) in the drawings is not part of the claimed design.

In the fishing reel portion illustrated in FIG. 12, the side boundaries do not form part of the claimed design. In other words, with respect to the alternate design of the fishing reel portion illustrated in FIG. 12, it should be understood that the claimed design extends to the boundary but does not include the boundaries shown in broken lines.

1 Claim, 7 Drawing Sheets



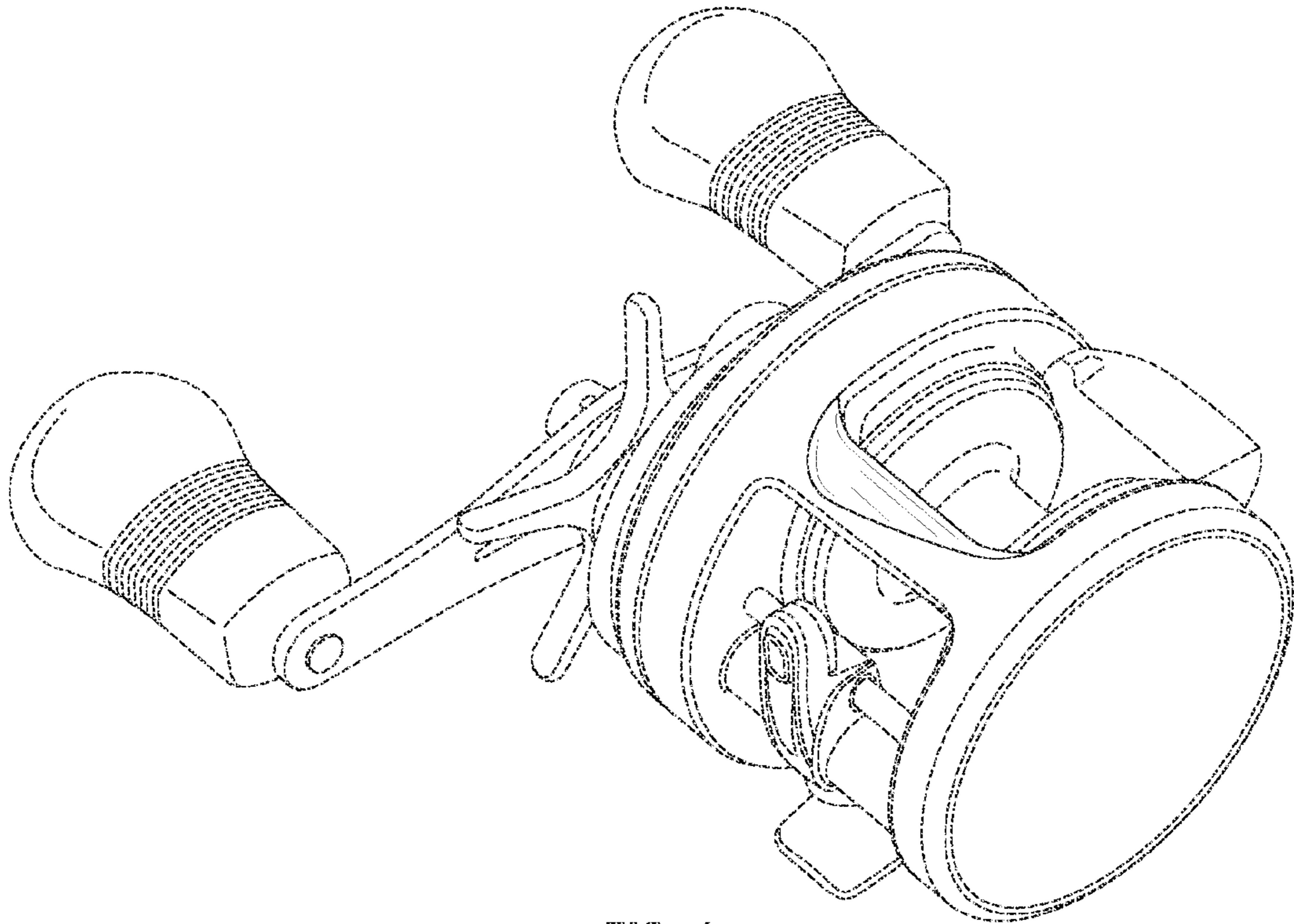


FIG. 1

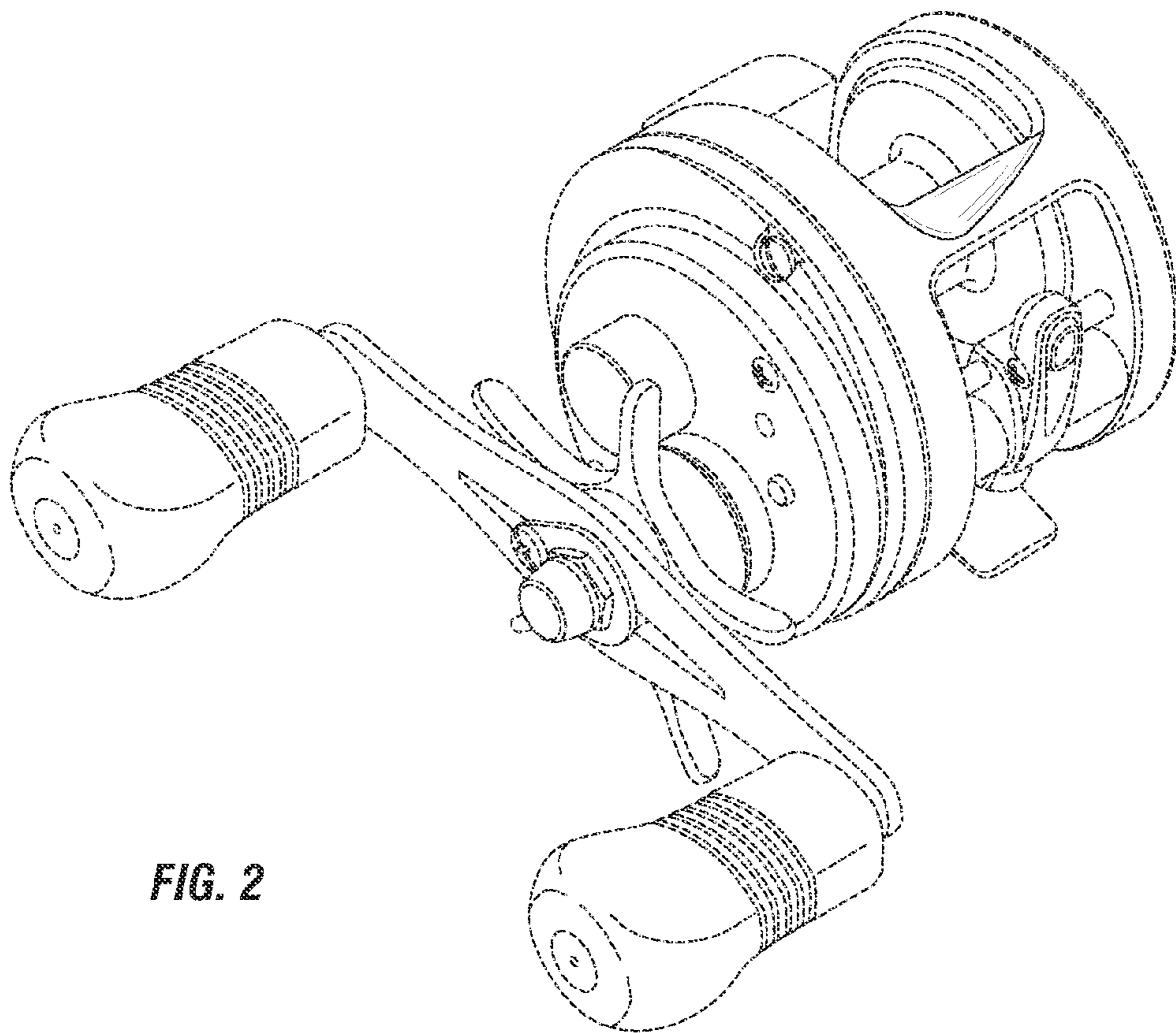


FIG. 2

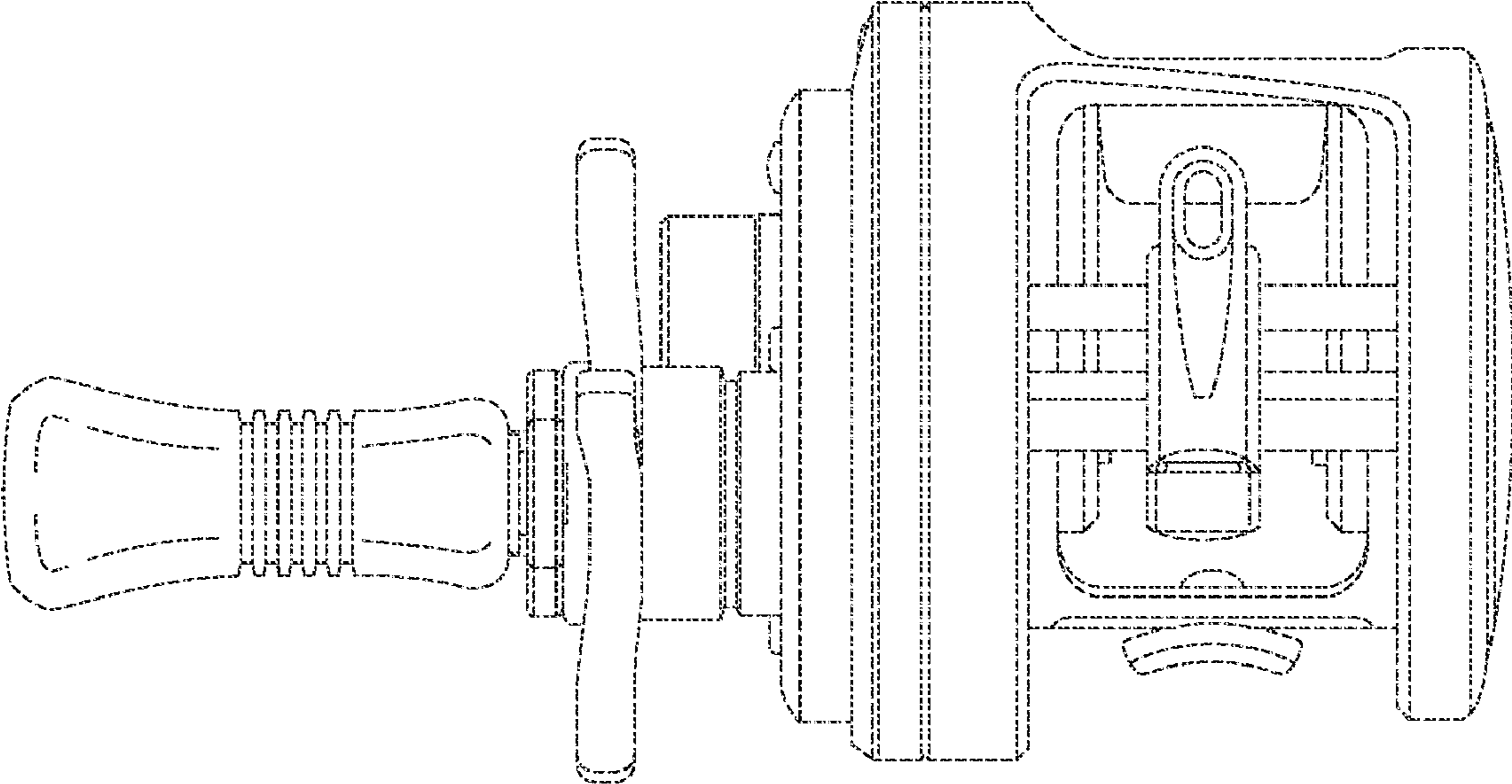


FIG. 3

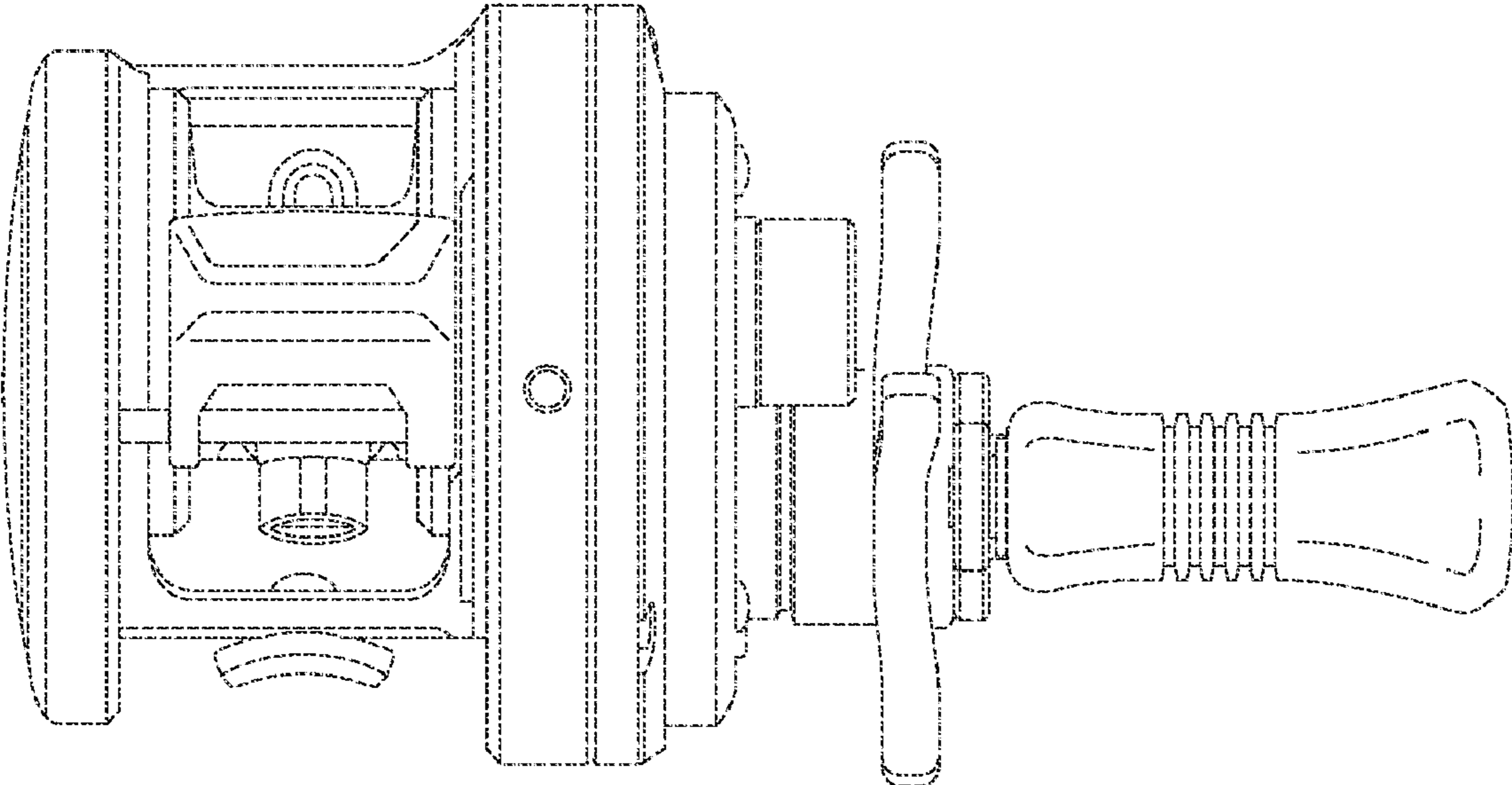


FIG. 4

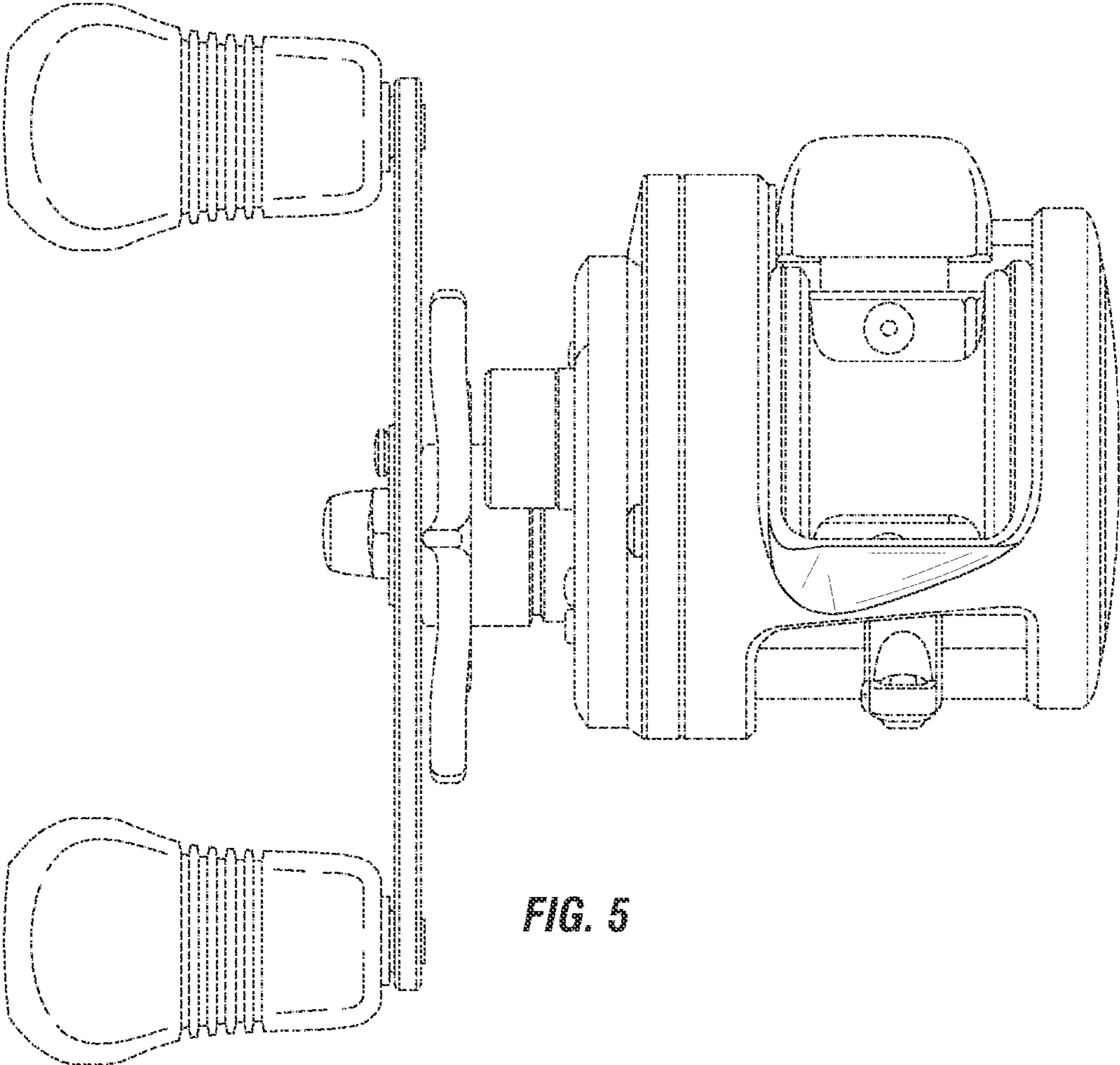


FIG. 5

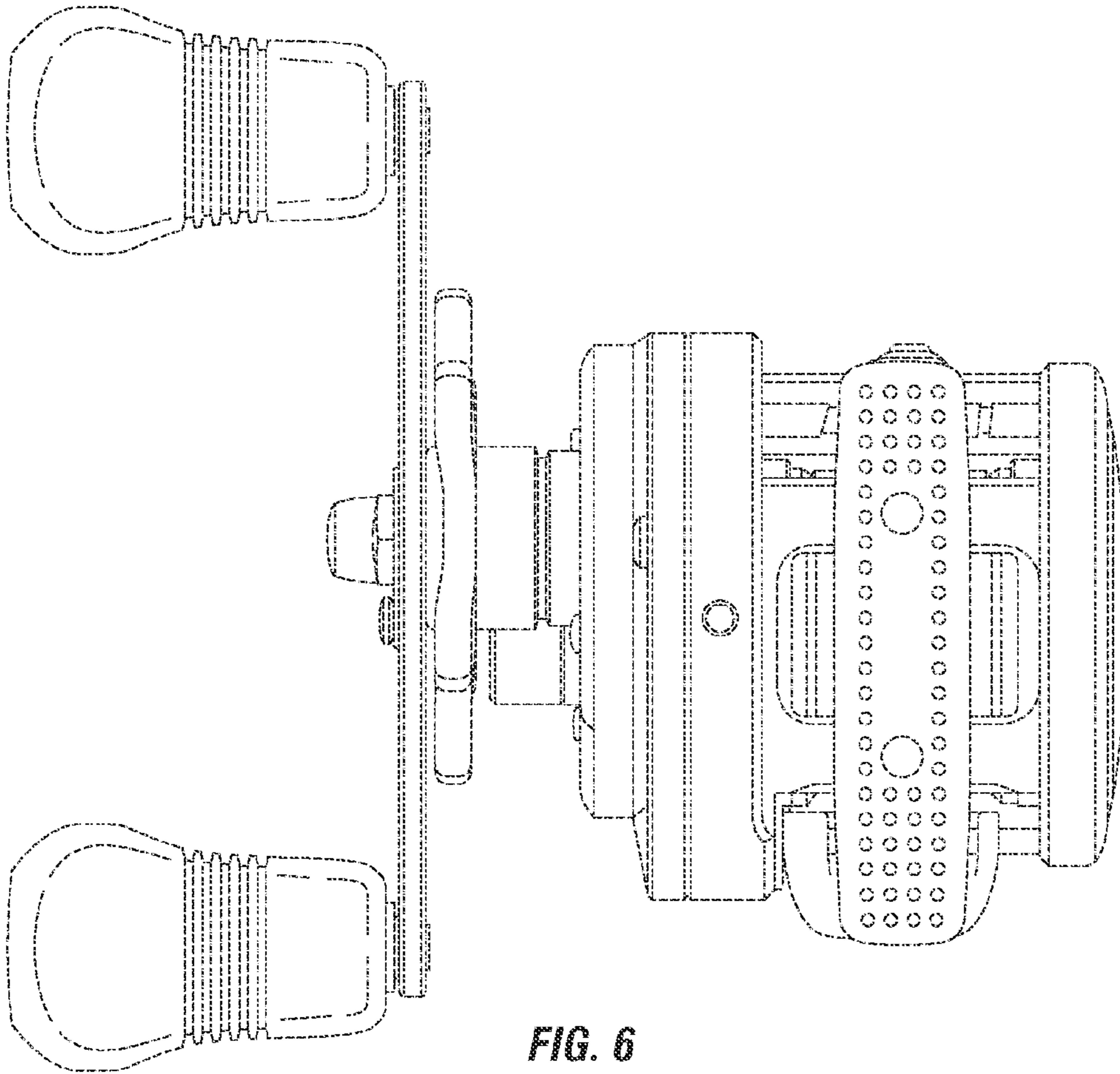


FIG. 6

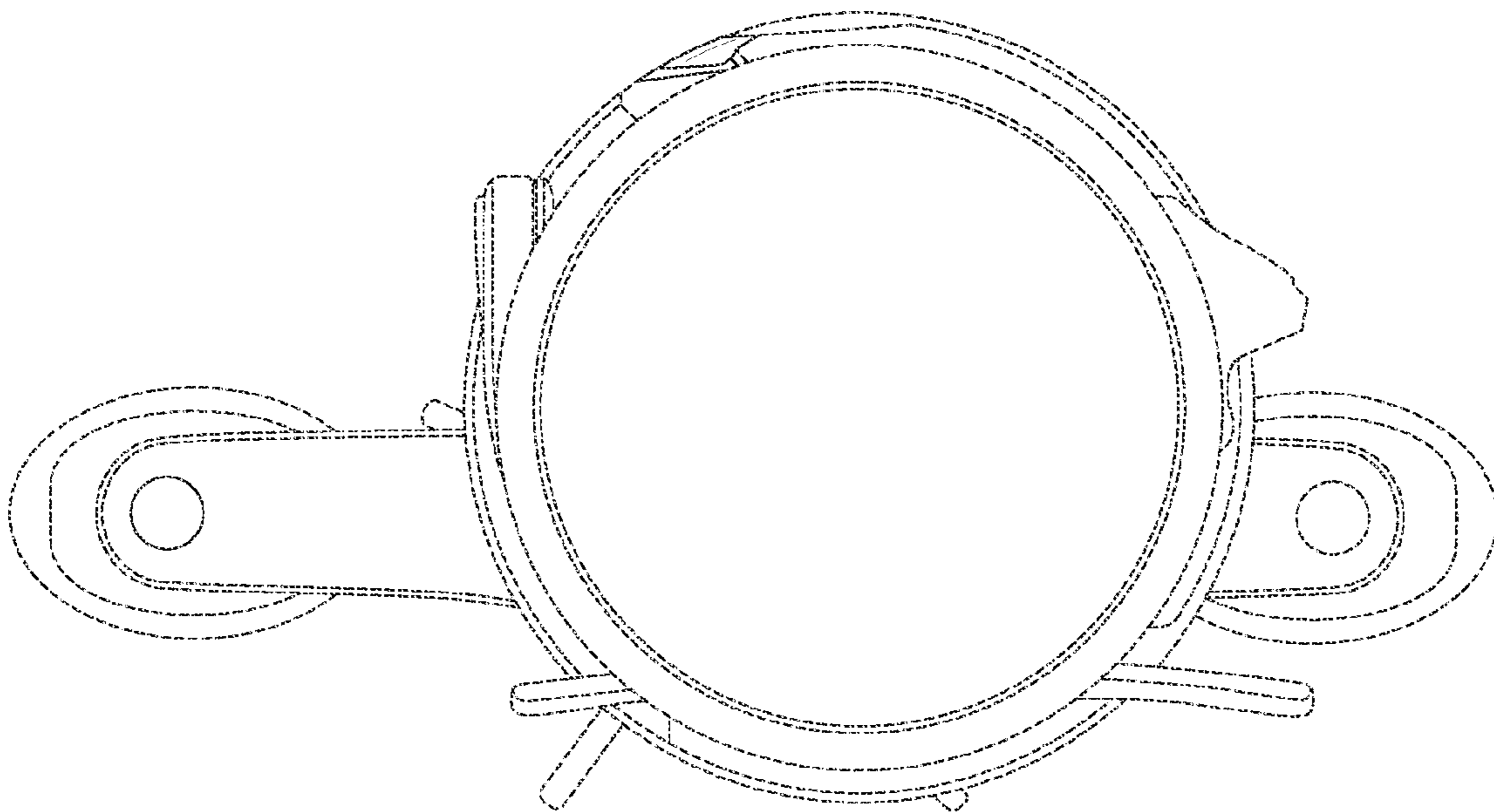


FIG. 7

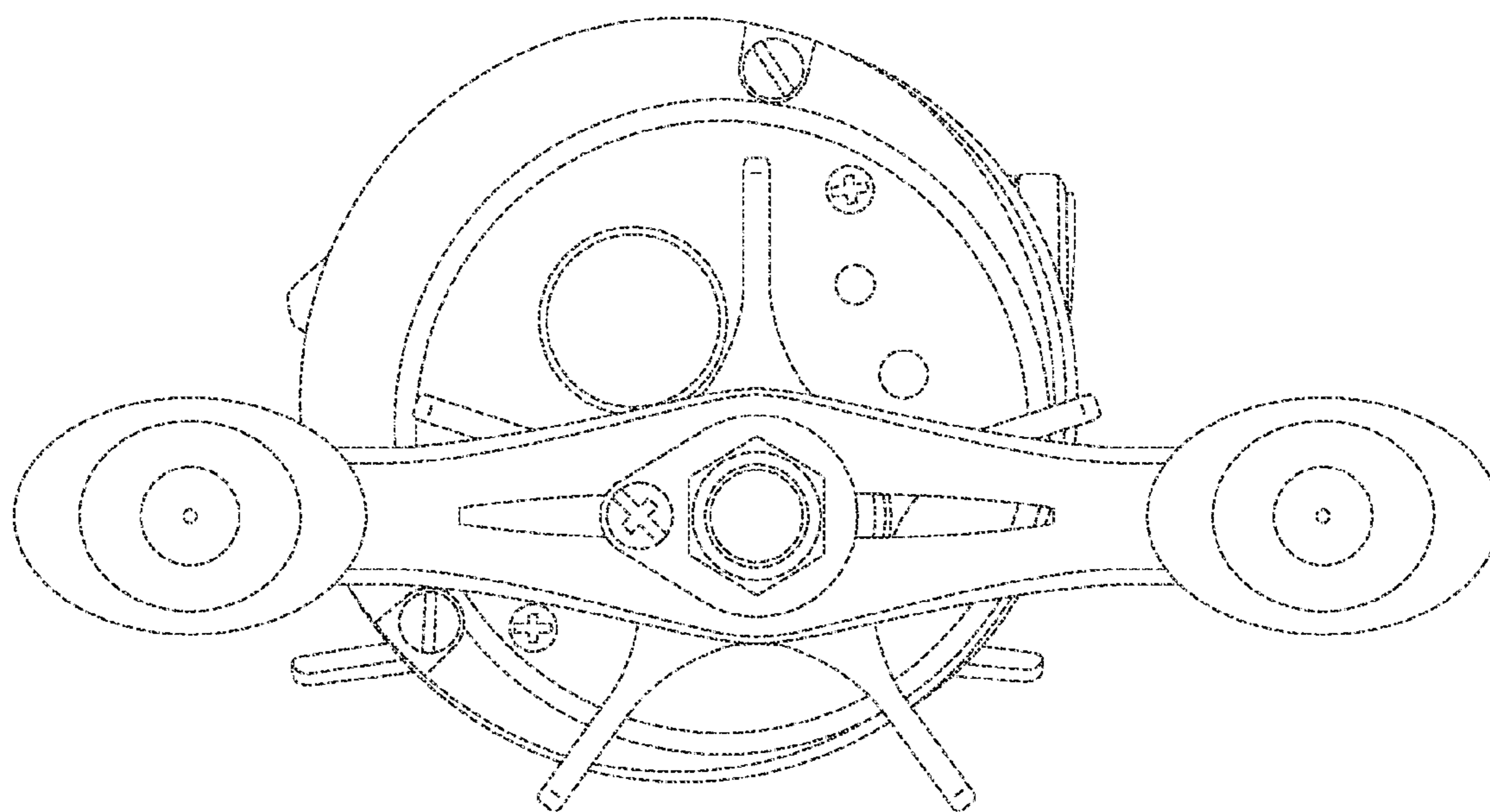


FIG. 8

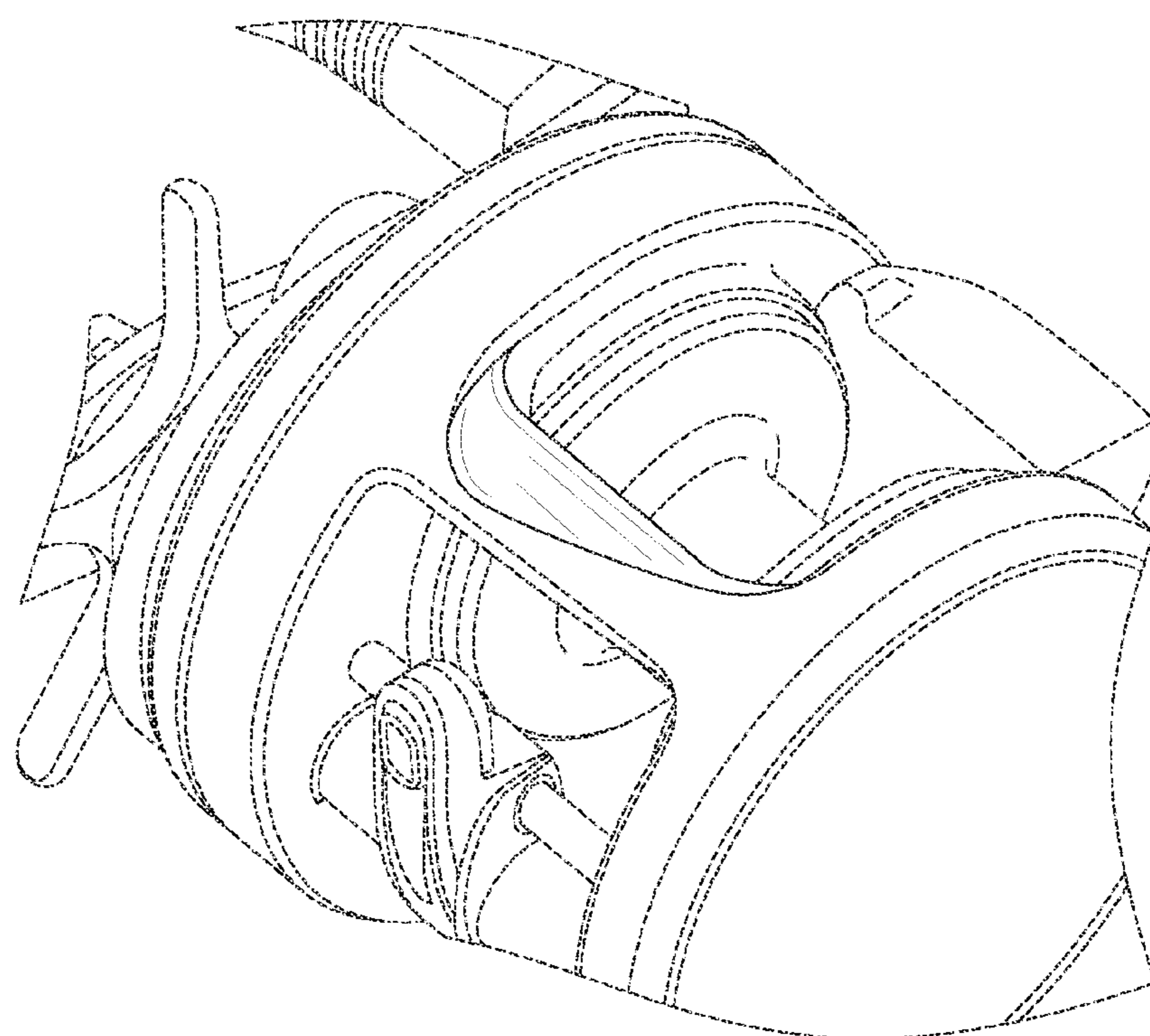


FIG. 9

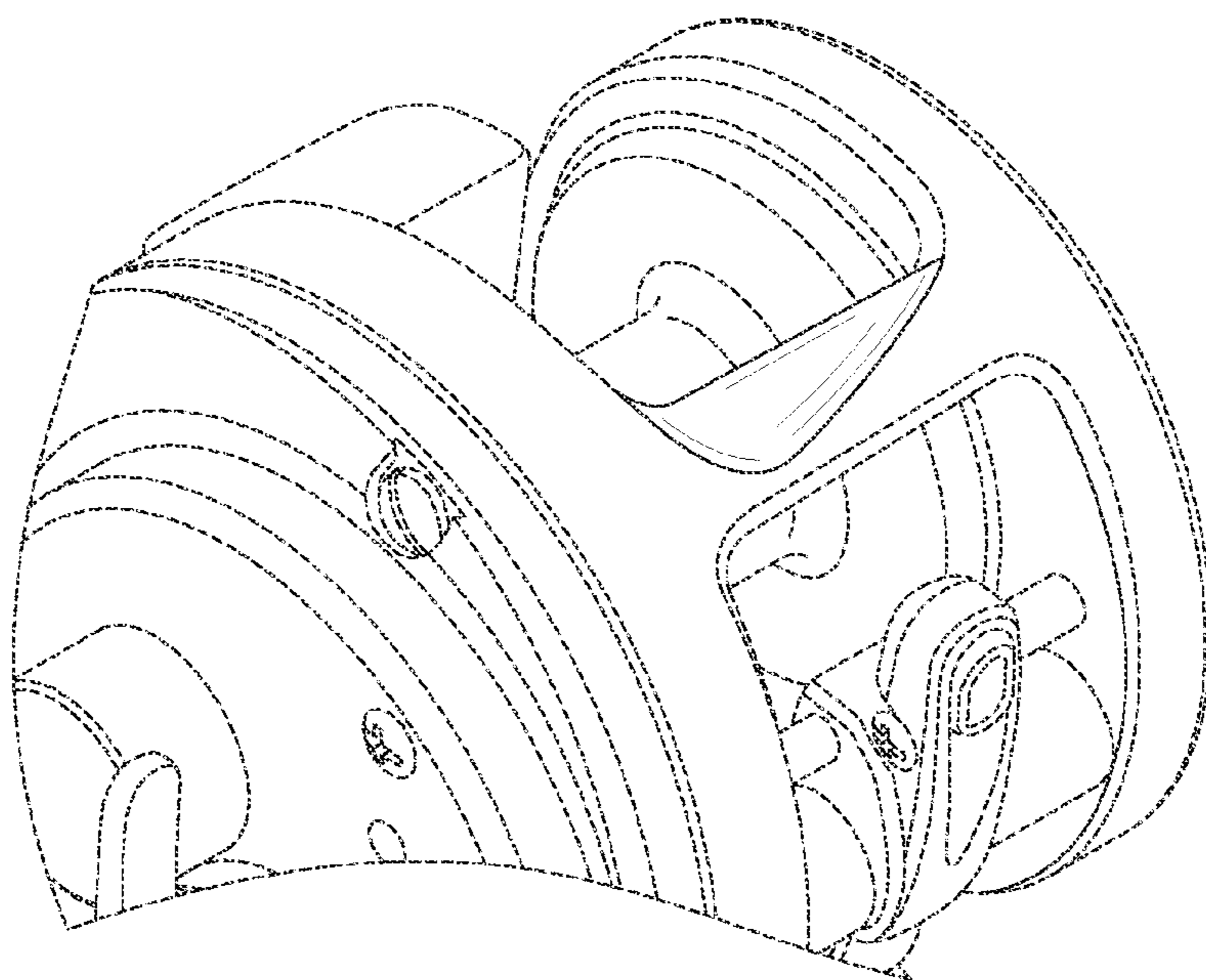


FIG. 10

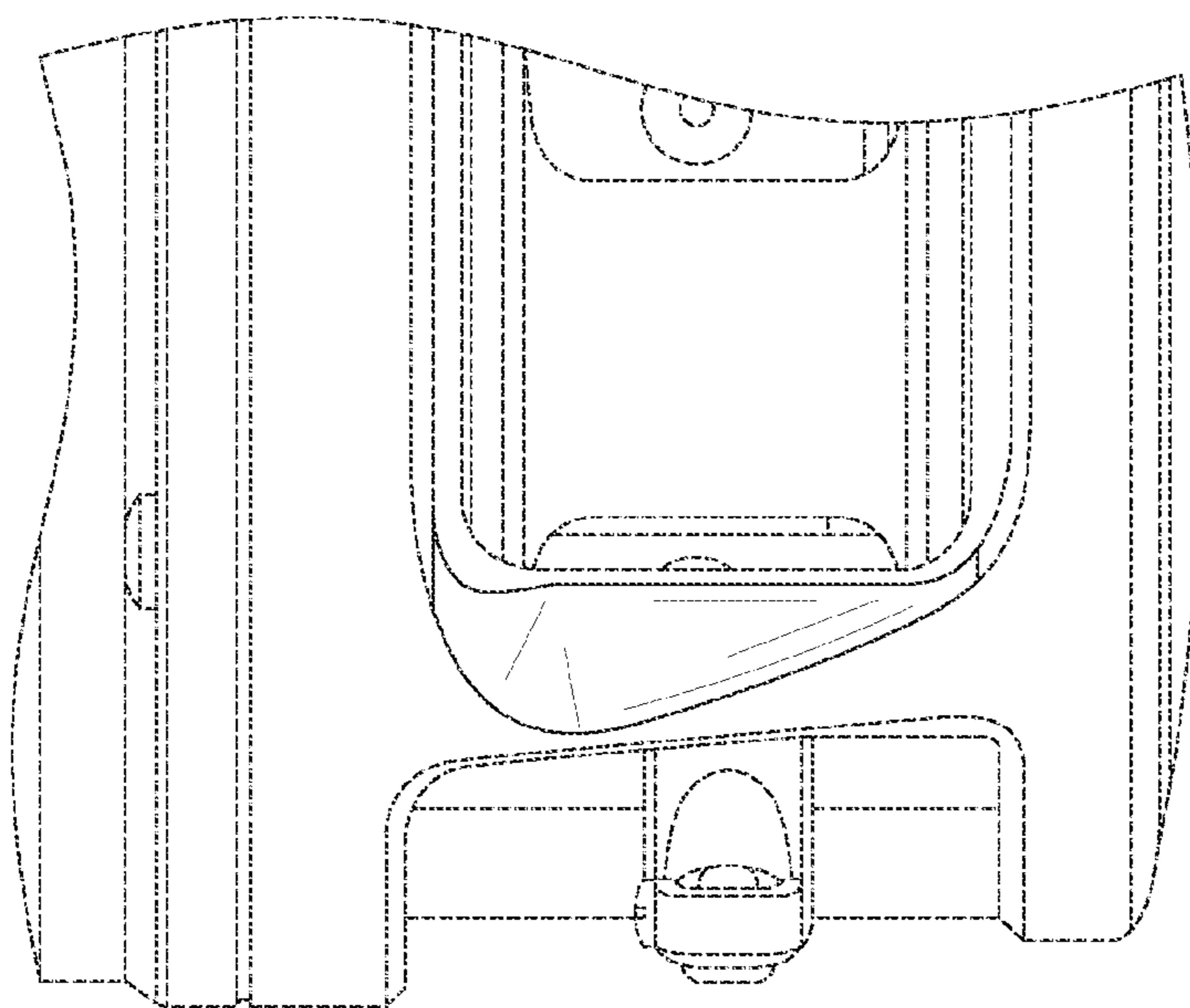


FIG. 11

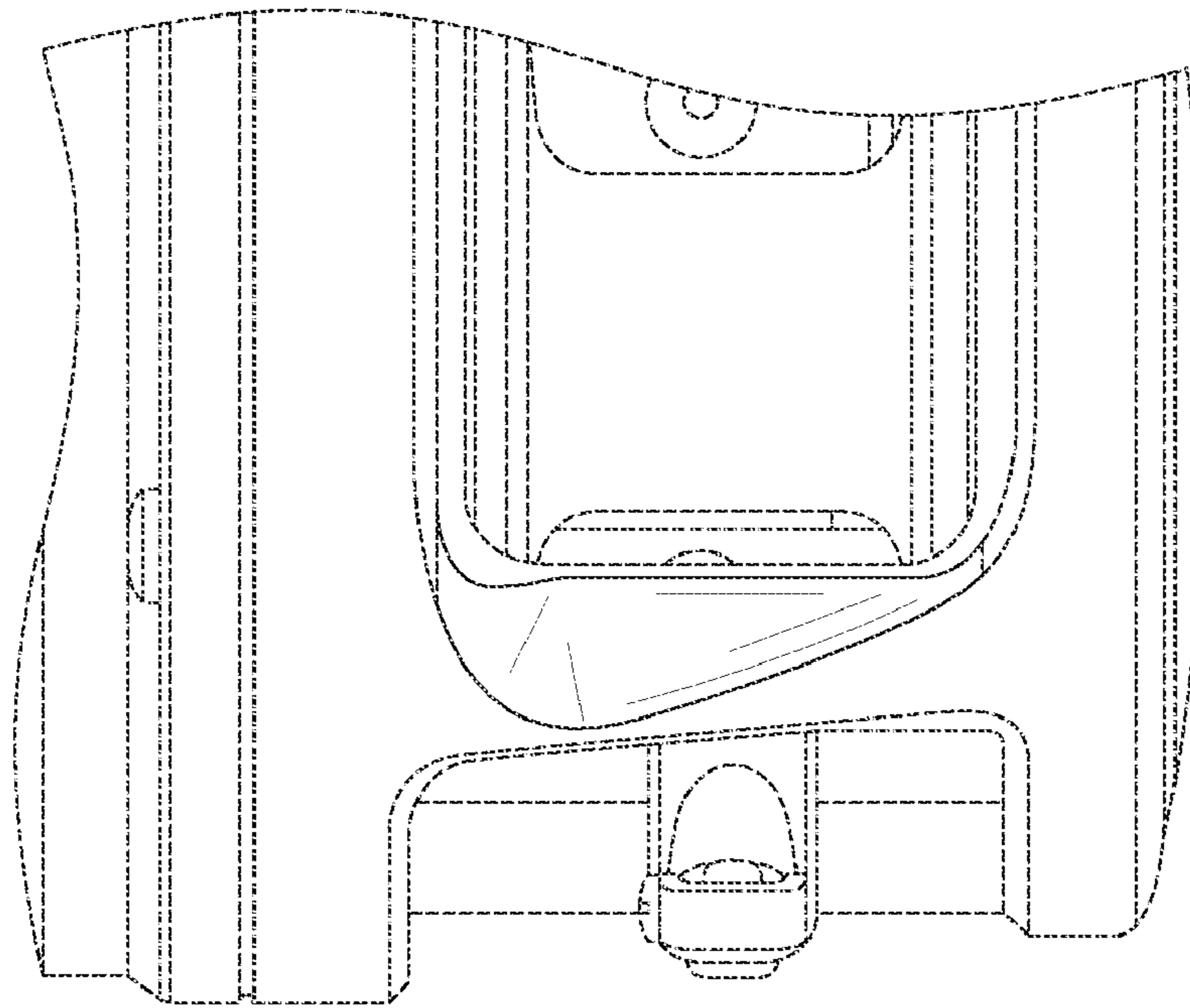


FIG. 12