



US00D661774S

(12) **United States Design Patent**  
**Nago et al.**

(10) **Patent No.:** **US D661,774 S**  
(45) **Date of Patent:** **\*\* Jun. 12, 2012**

(54) **FISHING REEL**

(75) Inventors: **Akira Nago**, Osaka (JP); **Masakazu Iwabuchi**, Osaka (JP)

(73) Assignee: **Shimano Inc.**, Osaka (JP)

(\*\*) Term: **14 Years**

(21) Appl. No.: **29/406,880**

(22) Filed: **Nov. 21, 2011**

(30) **Foreign Application Priority Data**

May 31, 2011 (JP) ..... 2011-12253

(51) **LOC (9) Cl.** ..... **22-05**

(52) **U.S. Cl.** ..... **D22/140**

(58) **Field of Classification Search** ..... D22/140,  
D22/137-139, 141; 242/223, 310, 314, 370;  
43/19-21

See application file for complete search history.

(56) **References Cited**

**U.S. PATENT DOCUMENTS**

D273,218 S *	3/1984	Atobe et al.	.....	D22/140
D421,087 S *	2/2000	Kim et al.	.....	D22/140
D593,637 S *	6/2009	Kobayashi	.....	D22/140
D609,772 S *	2/2010	Tohma et al.	.....	D22/140

\* cited by examiner

*Primary Examiner* — Catheri Oliver

(74) *Attorney, Agent, or Firm* — Global IP Counselors, LLP

(57) **CLAIM**

The ornamental design for fishing reel, as shown and described.

**DESCRIPTION**

FIG. 1 is a first perspective view of a fishing reel in accordance with our new design;

FIG. 2 is a second perspective view of the fishing reel illustrated in FIG. 1;

FIG. 3 is a third perspective view of the fishing reel illustrated in FIG. 1;

FIG. 4 is a front elevational view of the fishing reel illustrated in FIG. 1;

FIG. 5 is a rear elevational view of the fishing reel illustrated in FIG. 1;

FIG. 6 is a top plan view of the fishing reel illustrated in FIG. 1;

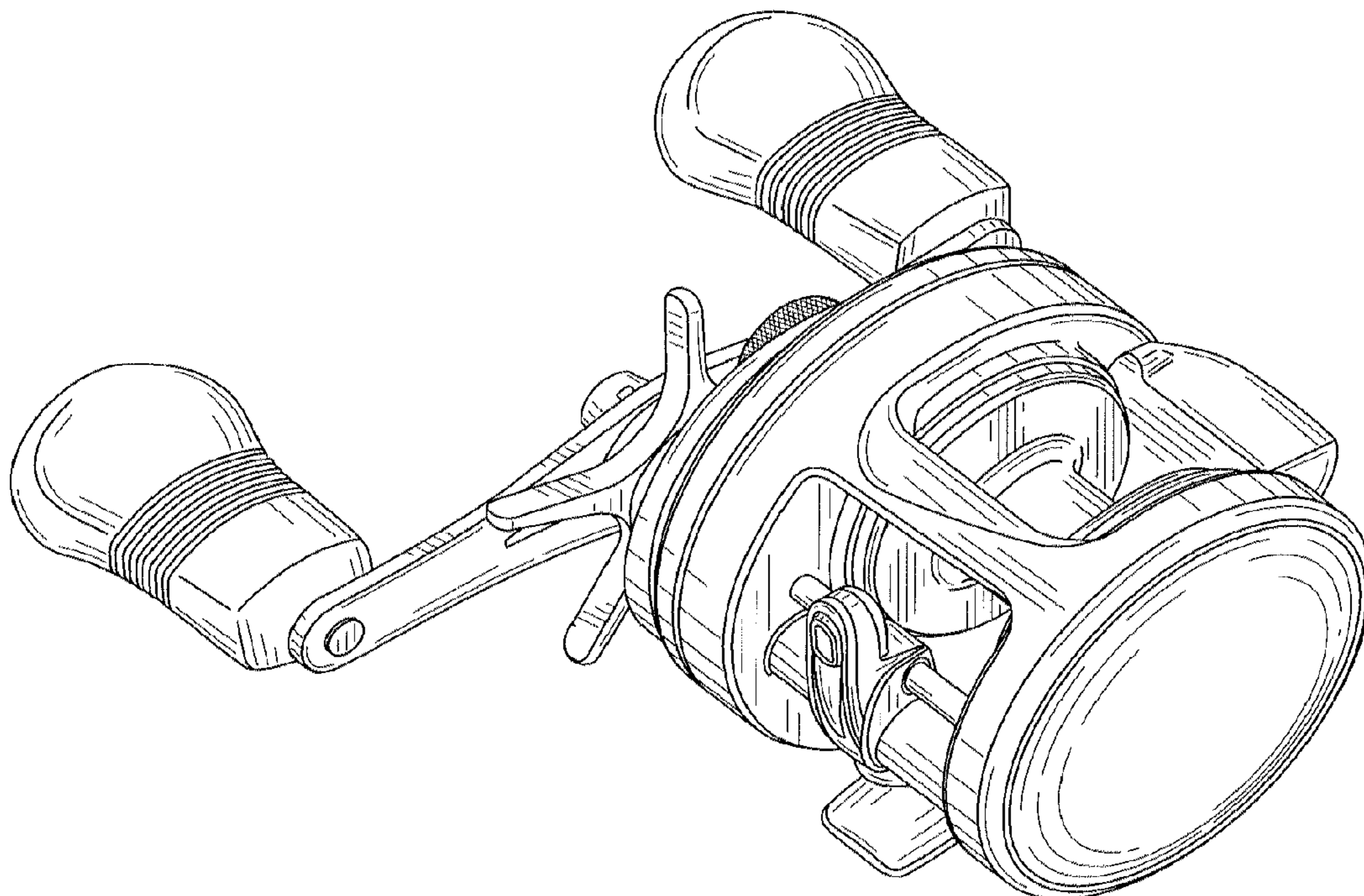
FIG. 7 is a bottom plan view of the fishing reel illustrated in FIG. 1;

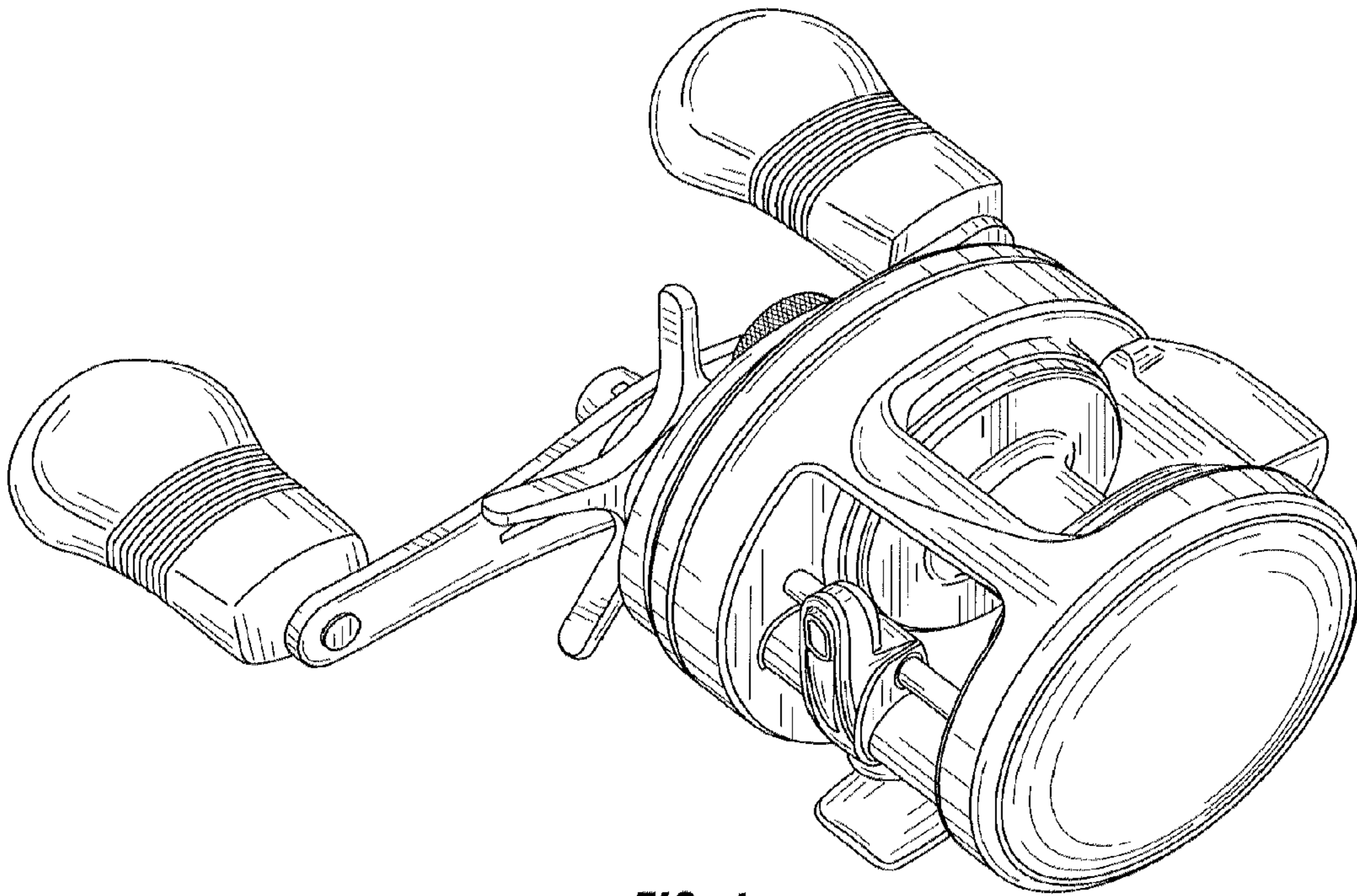
FIG. 8 is a first side elevational view of the fishing reel illustrated in FIG. 1;

FIG. 9 is a second side elevational view of the fishing reel illustrated in FIG. 1; and,

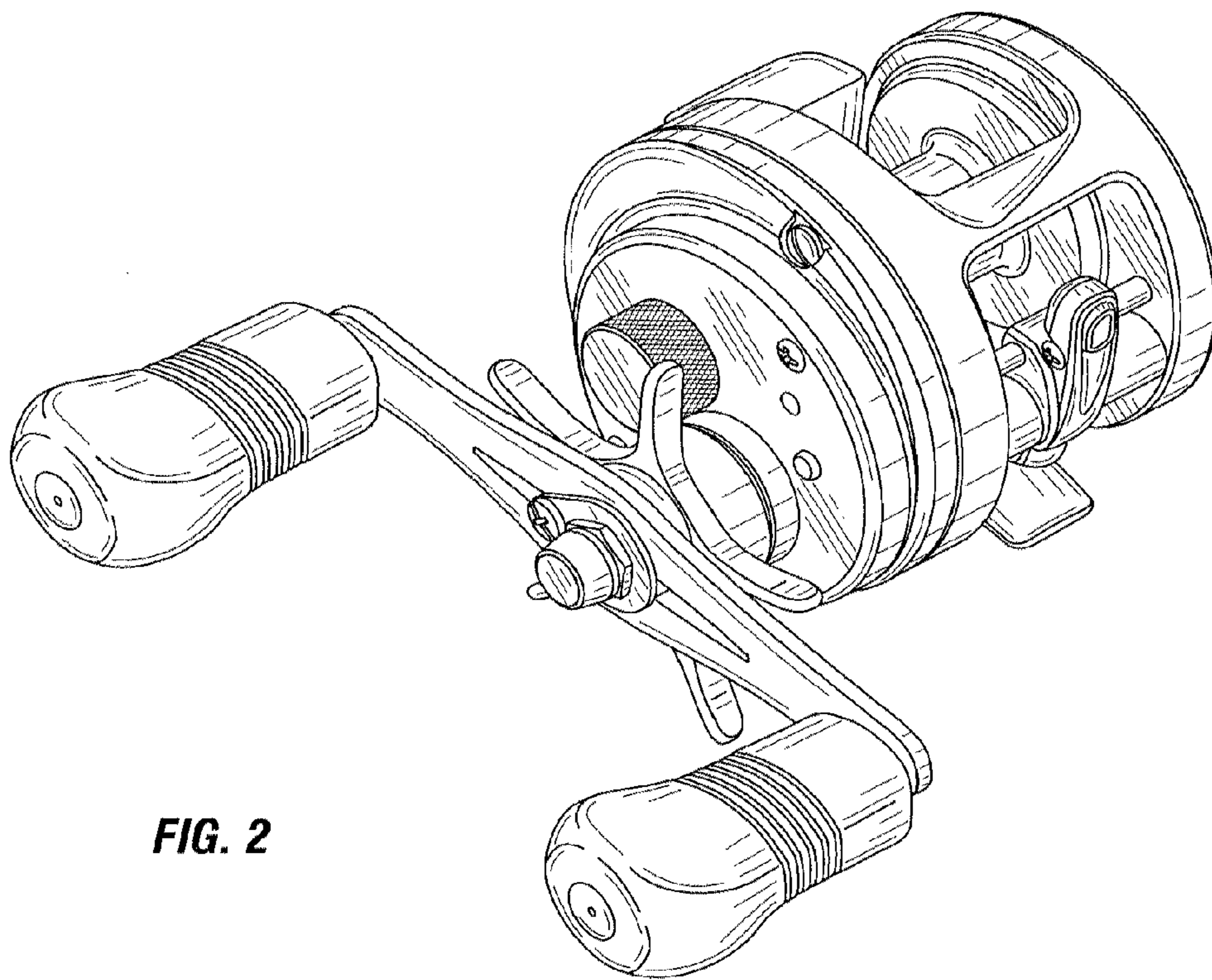
FIG. 10 is a first enlarged, partial perspective view of a portion of the fishing reel illustrated in FIG. 1.

**1 Claim, 5 Drawing Sheets**

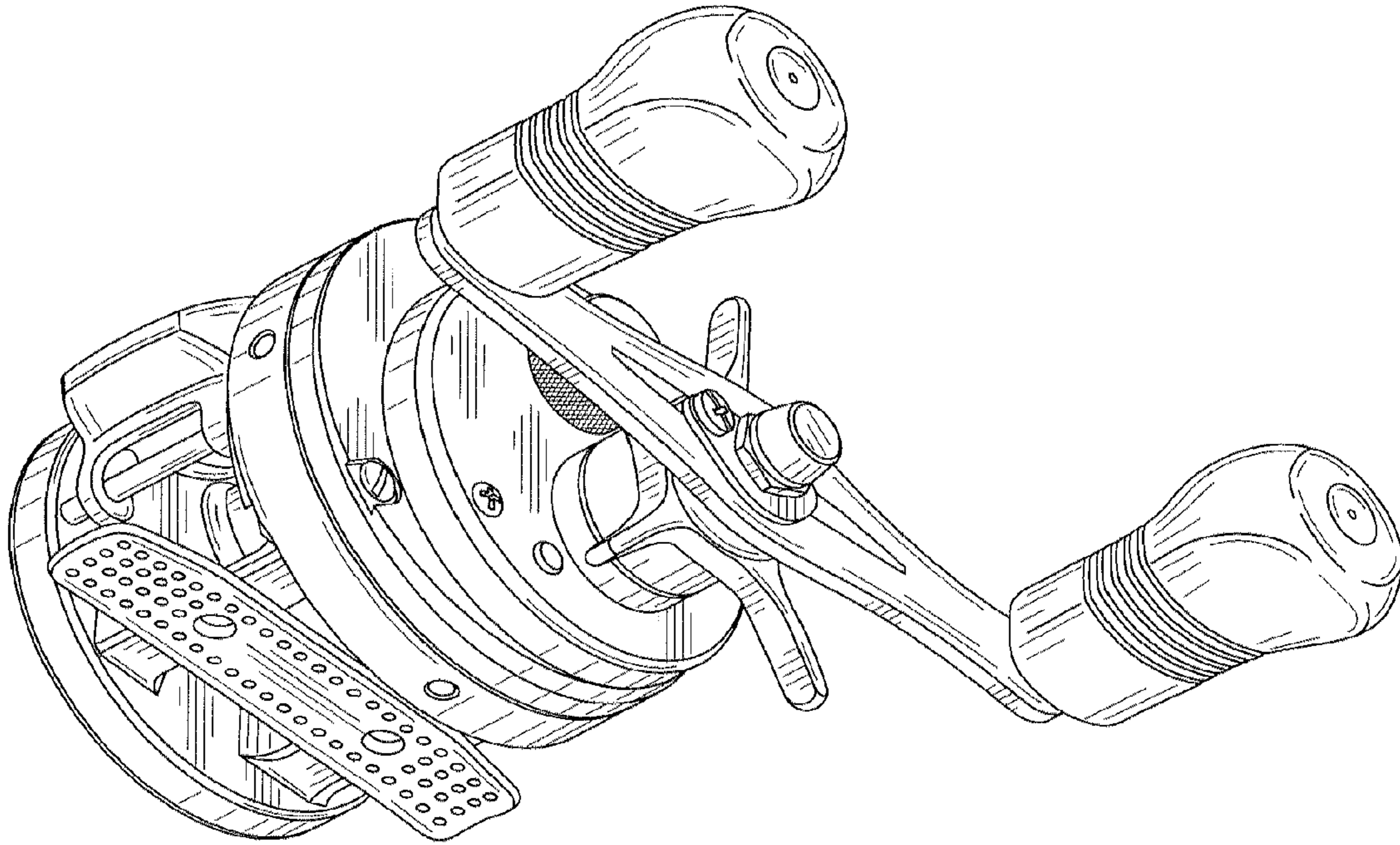




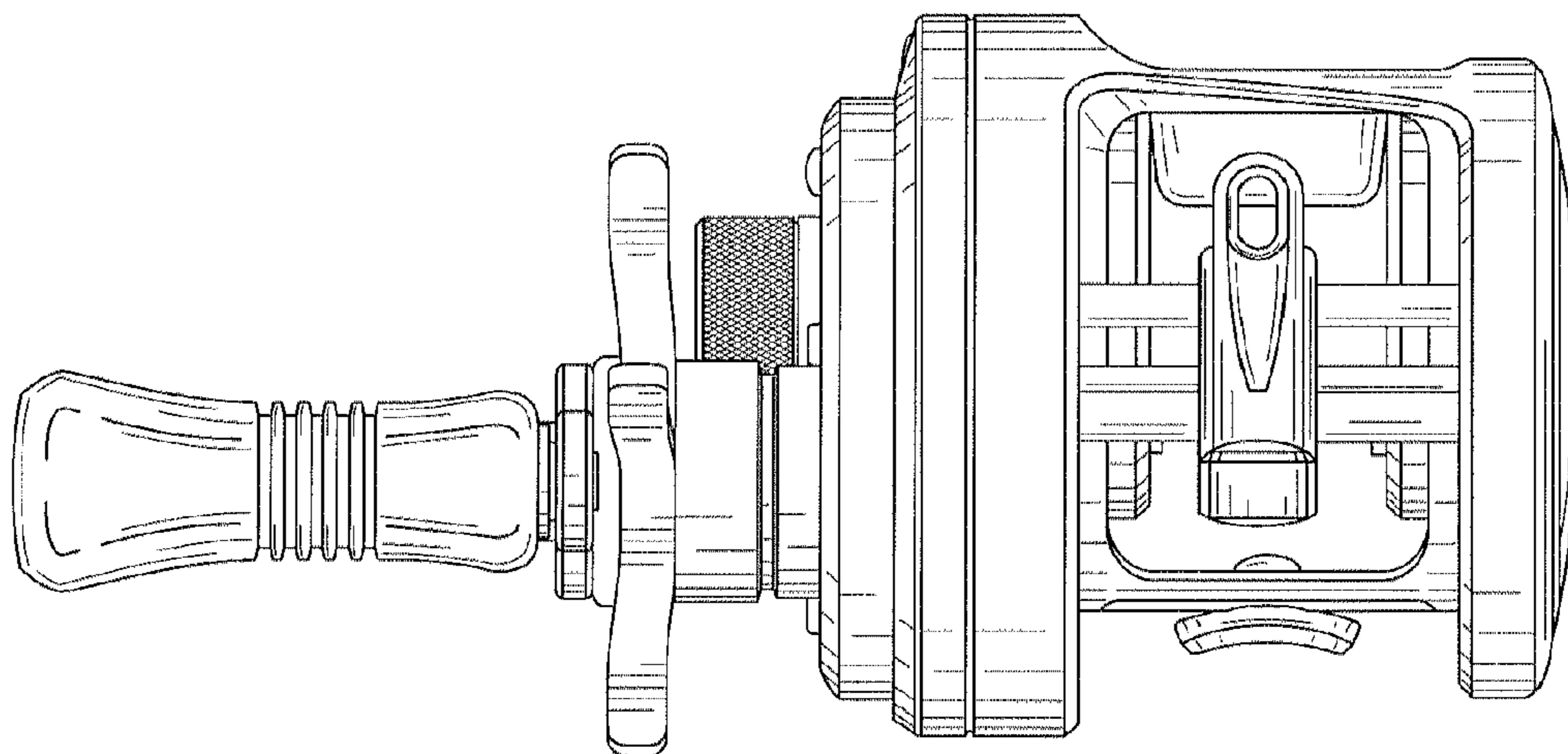
**FIG. 1**



**FIG. 2**



**FIG. 3**



**FIG. 4**

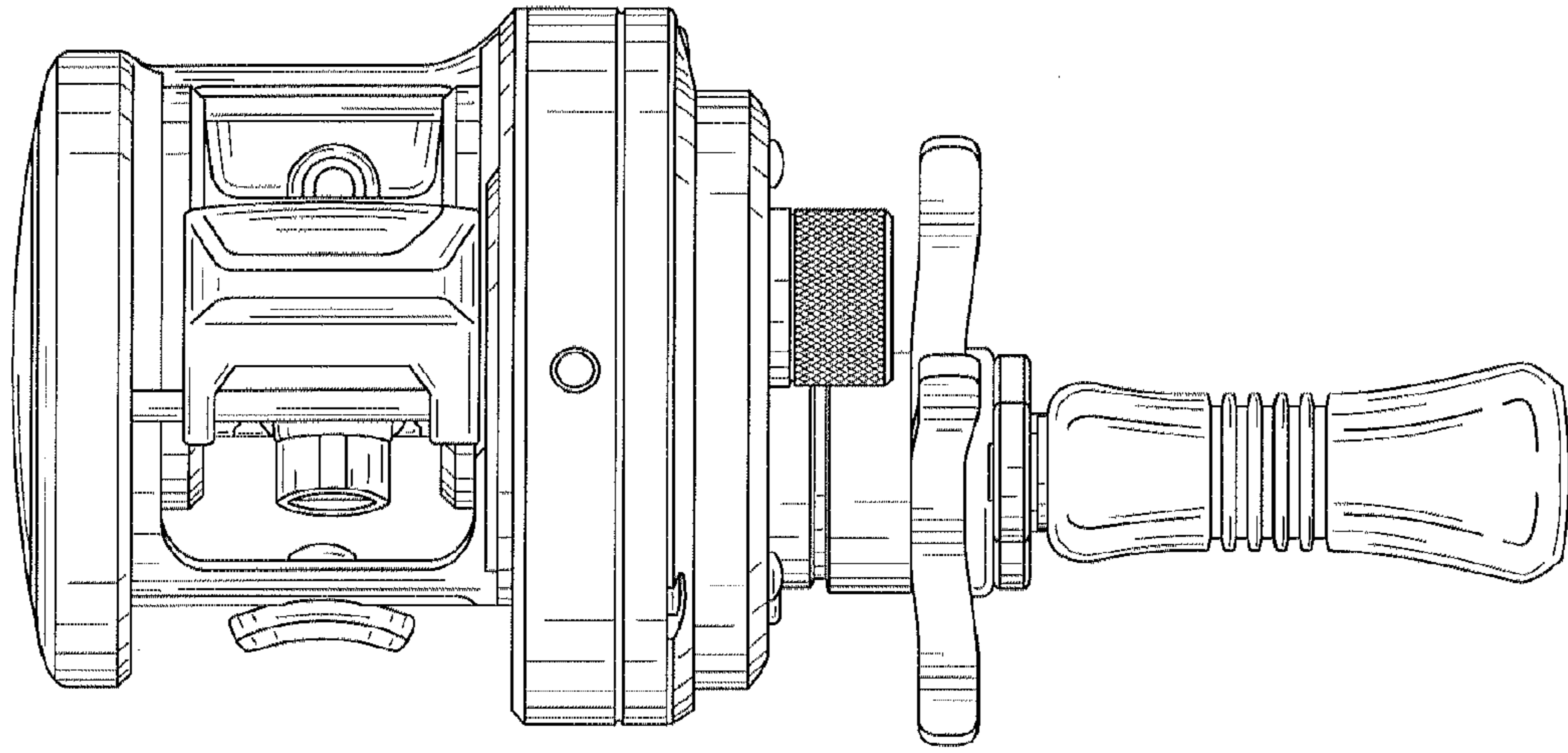


FIG. 5

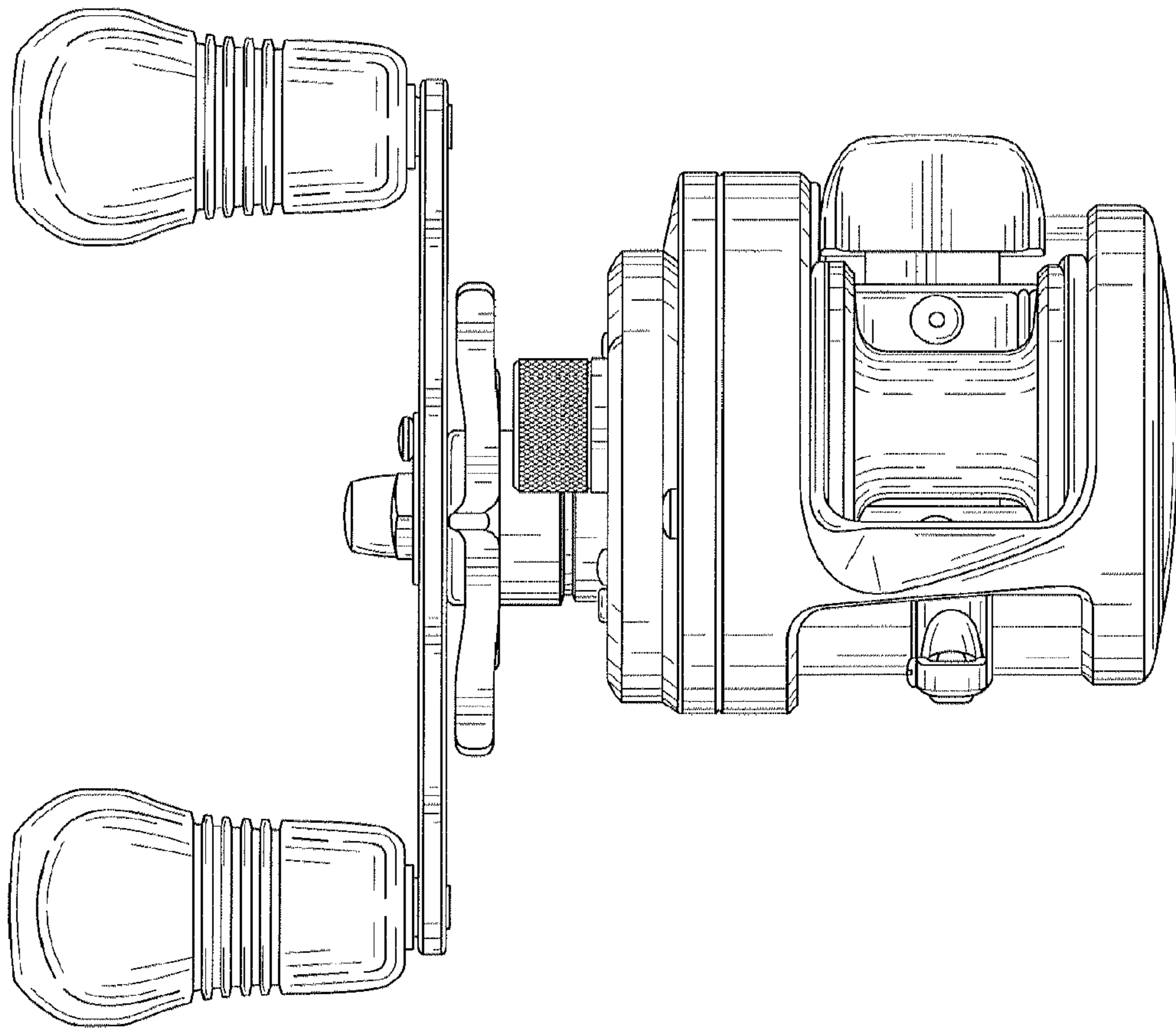


FIG. 6

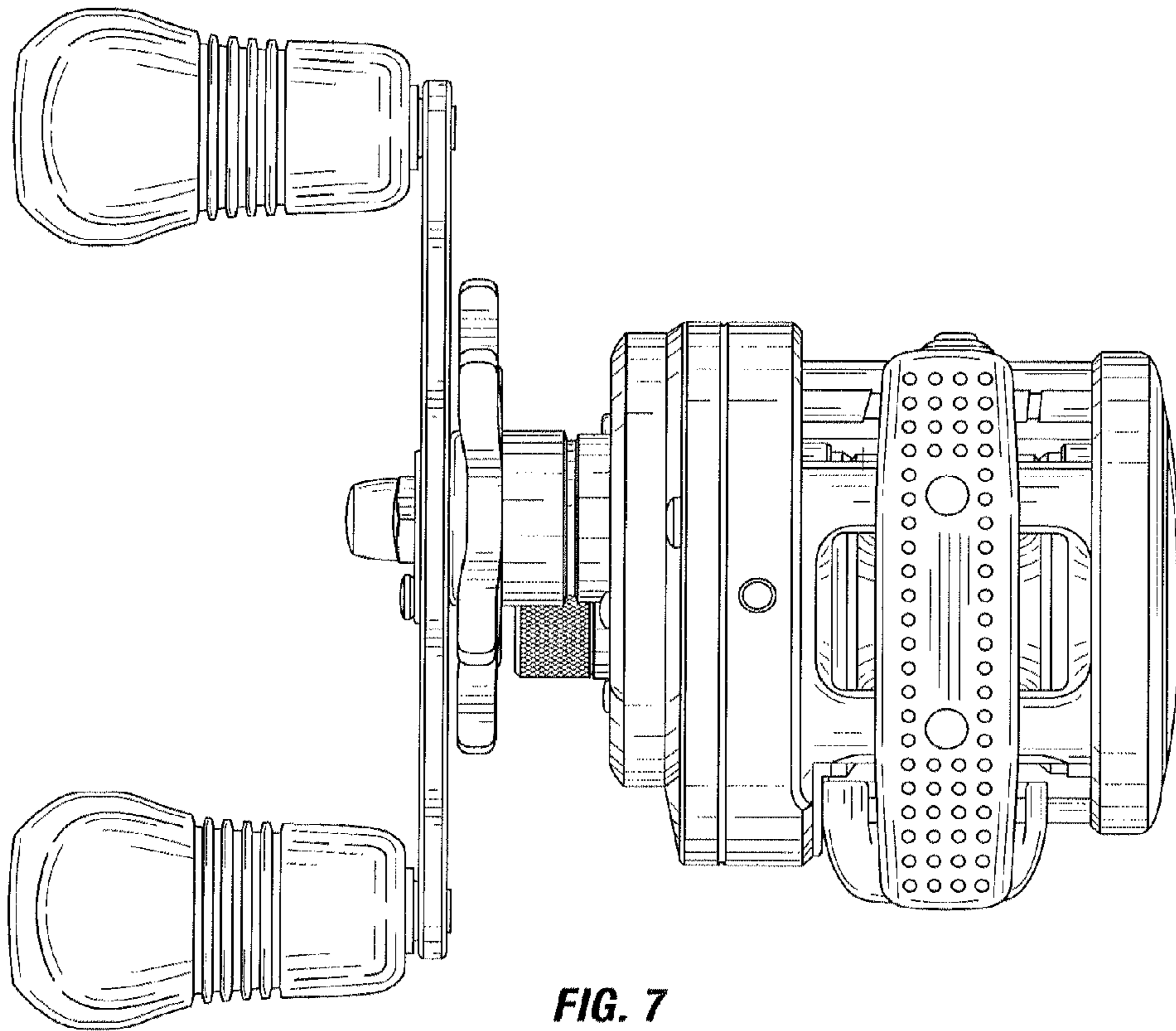


FIG. 7

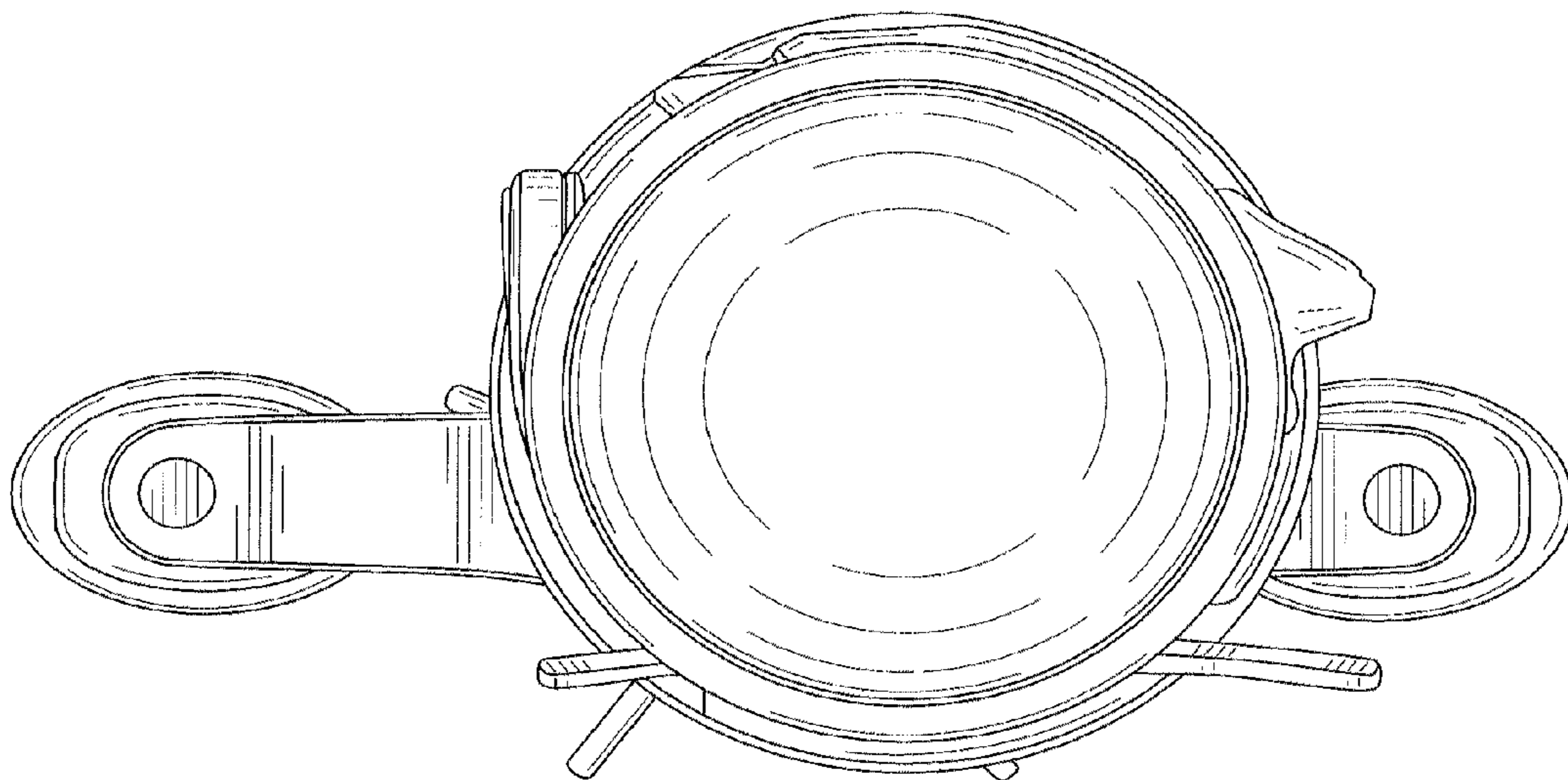


FIG. 8

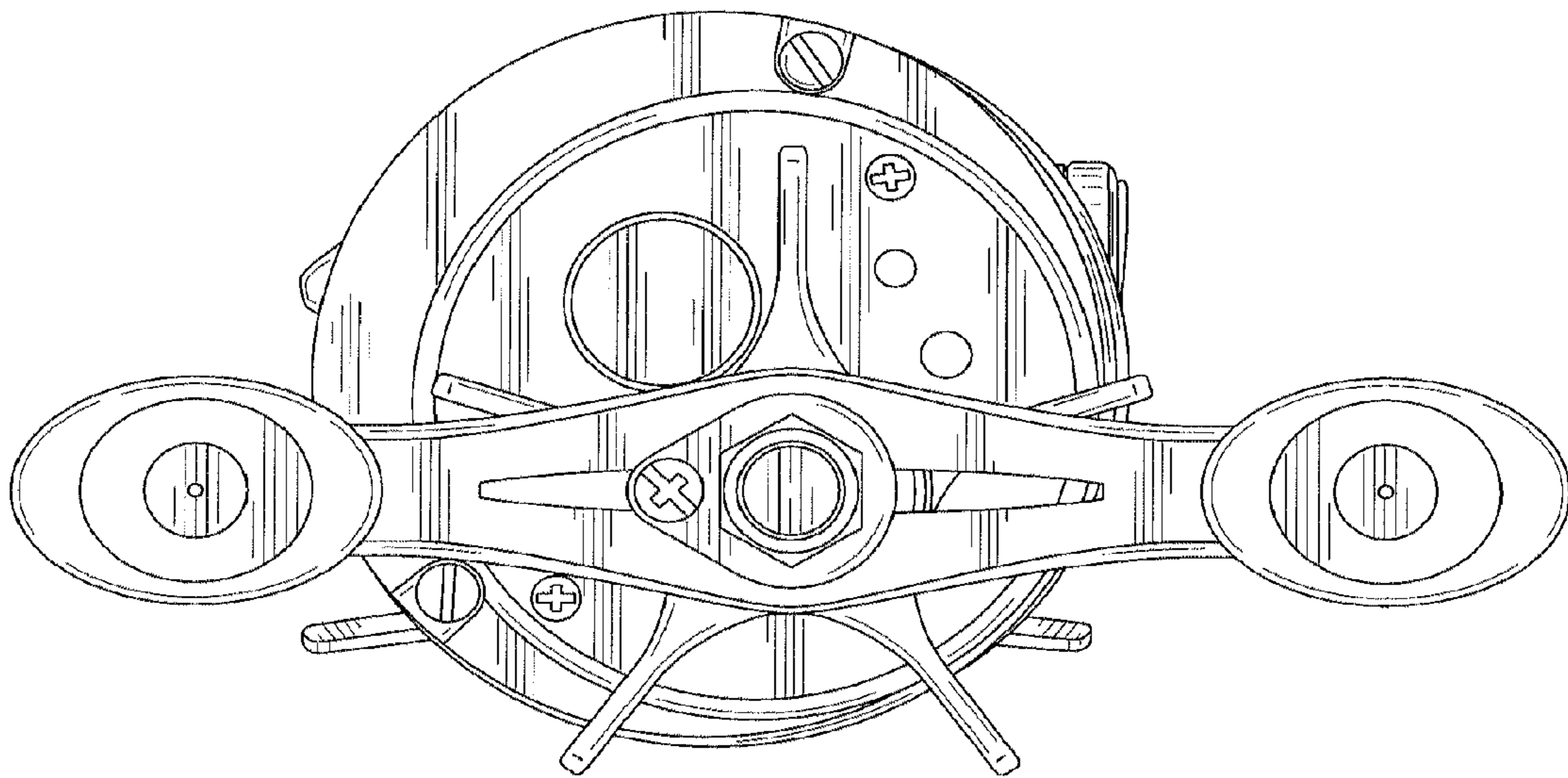


FIG. 9

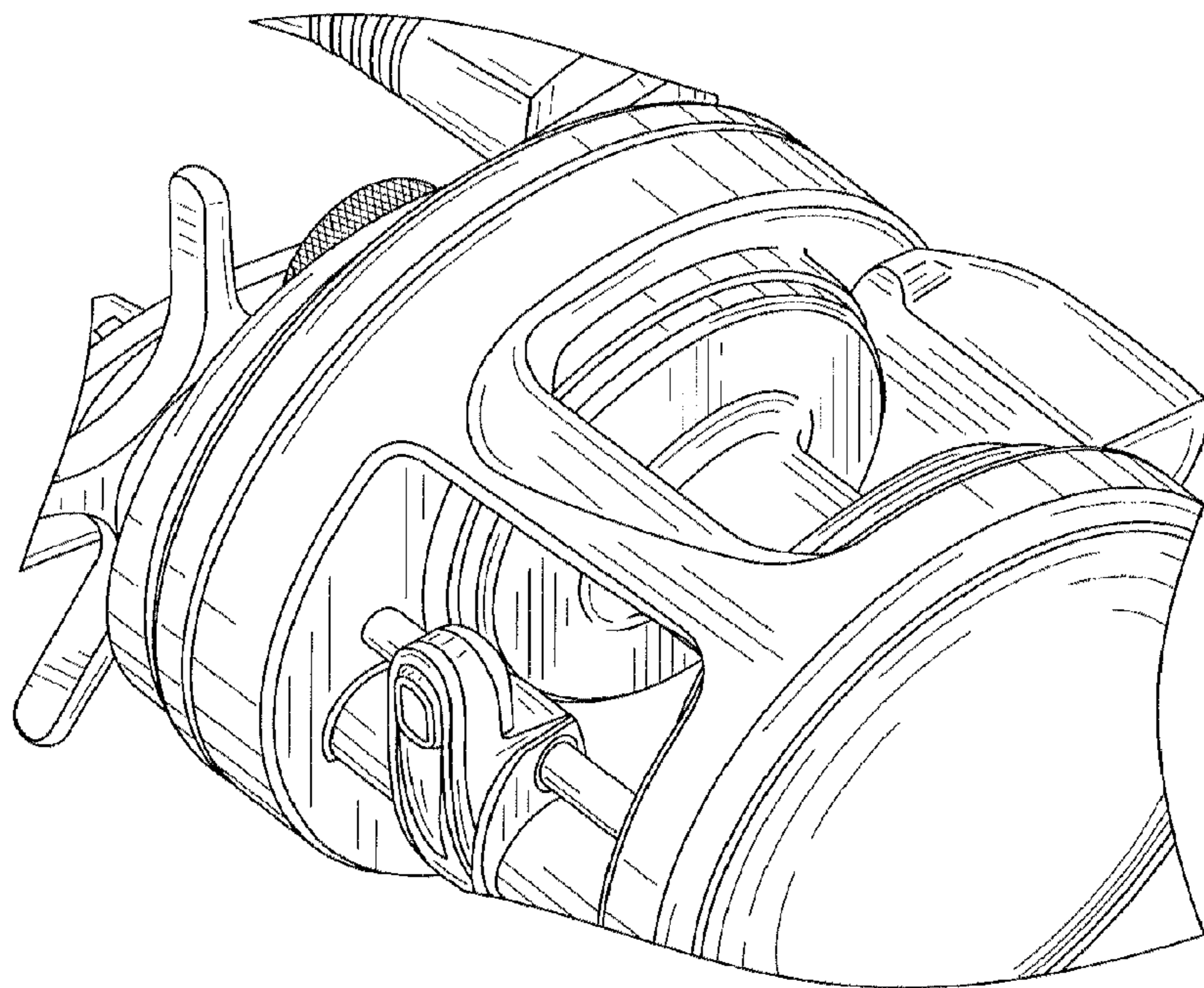


FIG. 10