

US00D661769S

(12) **United States Design Patent**
Geissele

(10) **Patent No.:** **US D661,769 S**

(45) **Date of Patent:** **** Jun. 12, 2012**

(54) **FIREARM HAMMER**

(75) Inventor: **William Hugo Geissele**, Norristown, PA (US)

(73) Assignee: **WHG Properties, LLC**, Jeffersonville, PA (US)

(**) Term: **14 Years**

(21) Appl. No.: **29/398,706**

(22) Filed: **Aug. 3, 2011**

Related U.S. Application Data

(60) Continuation of application No. 12/069,324, filed on Feb. 9, 2008, which is a division of application No. 11/254,412, filed on Oct. 20, 2005, now Pat. No. 7,331,136.

(51) **LOC (9) Cl.** **22-01**

(52) **U.S. Cl.** **D22/108**

(58) **Field of Classification Search** D22/100-105, D22/108, 109, 110, 111, 113, 114, 115; 42/59, 42/71.01, 74.02, 72-74; D21/573-574; 89/37.04; 124/72, 74, 31

See application file for complete search history.

(56) **References Cited**

U.S. PATENT DOCUMENTS

| | | | | |
|-----------|------|---------|------------------|----------|
| 5,183,959 | A * | 2/1993 | McCoan et al. | 89/148 |
| 5,718,074 | A * | 2/1998 | Keeney | 42/69.03 |
| 5,924,231 | A * | 7/1999 | Kidd | 42/69.03 |
| 6,131,324 | A * | 10/2000 | Jewell | 42/69.03 |
| 6,272,783 | B1 * | 8/2001 | Dumortier et al. | 42/69.03 |

| | | | | |
|--------------|------|---------|---------------|----------|
| 6,279,258 | B1 * | 8/2001 | Hashman | 42/16 |
| 6,345,460 | B2 * | 2/2002 | Hashman | 42/16 |
| D462,105 | S * | 8/2002 | Myers | D22/108 |
| 7,331,136 | B2 * | 2/2008 | Geissele | 42/69.03 |
| 8,069,602 | B2 * | 12/2011 | Geissele | 42/69.03 |
| 8,074,393 | B2 * | 12/2011 | Geissele | 42/69.03 |
| 2003/0136041 | A1 * | 7/2003 | Herring | 42/18 |
| 2007/0051236 | A1 * | 3/2007 | Groves et al. | 89/142 |

OTHER PUBLICATIONS

<http://www.m4carbine.net/showthread.php?t=6345>[Dec. 13, 2011 12:13:00 PM].*

* cited by examiner

Primary Examiner — Michael A Pratt

(74) *Attorney, Agent, or Firm* — Merchant & Gould P.C.

(57) **CLAIM**

The ornamental design for a firearm hammer, as shown and described.

DESCRIPTION

FIG. 1 is a rear, top, left side perspective view of a firearm hammer in accordance with my new design;

FIG. 2 is a left side view thereof, the right side view of the firearm hammer being a mirror image of the left side view thereof; and,

FIG. 3 is another left side view thereof, the firearm hammer shown in combination with a trigger mechanism, wherein the firearm hammer may form a part thereof.

The broken lines having repeated short dashes in the Figures are for illustrative purposes only and form no part of the claimed design. The shade lines having a combination of long and short lines in the Figures show contour and not surface ornamentation.

1 Claim, 3 Drawing Sheets

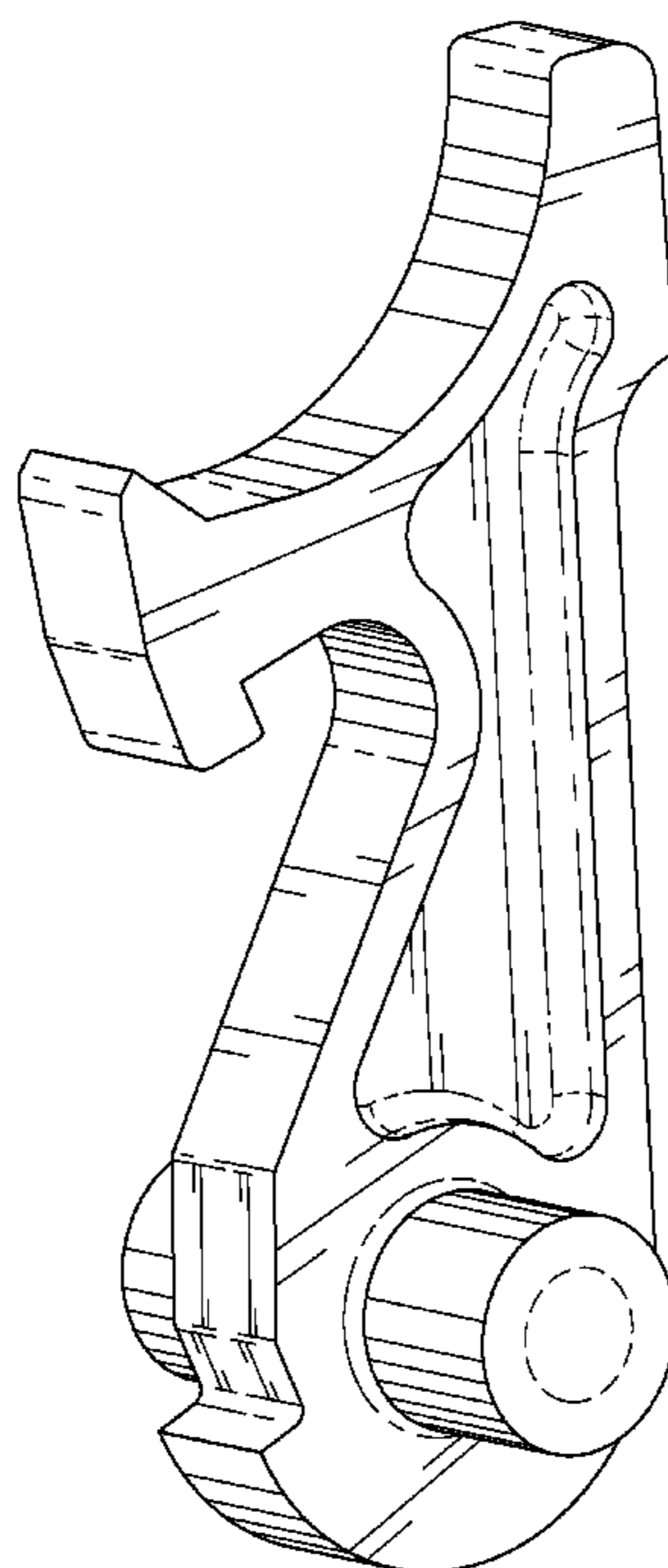


FIG. 1

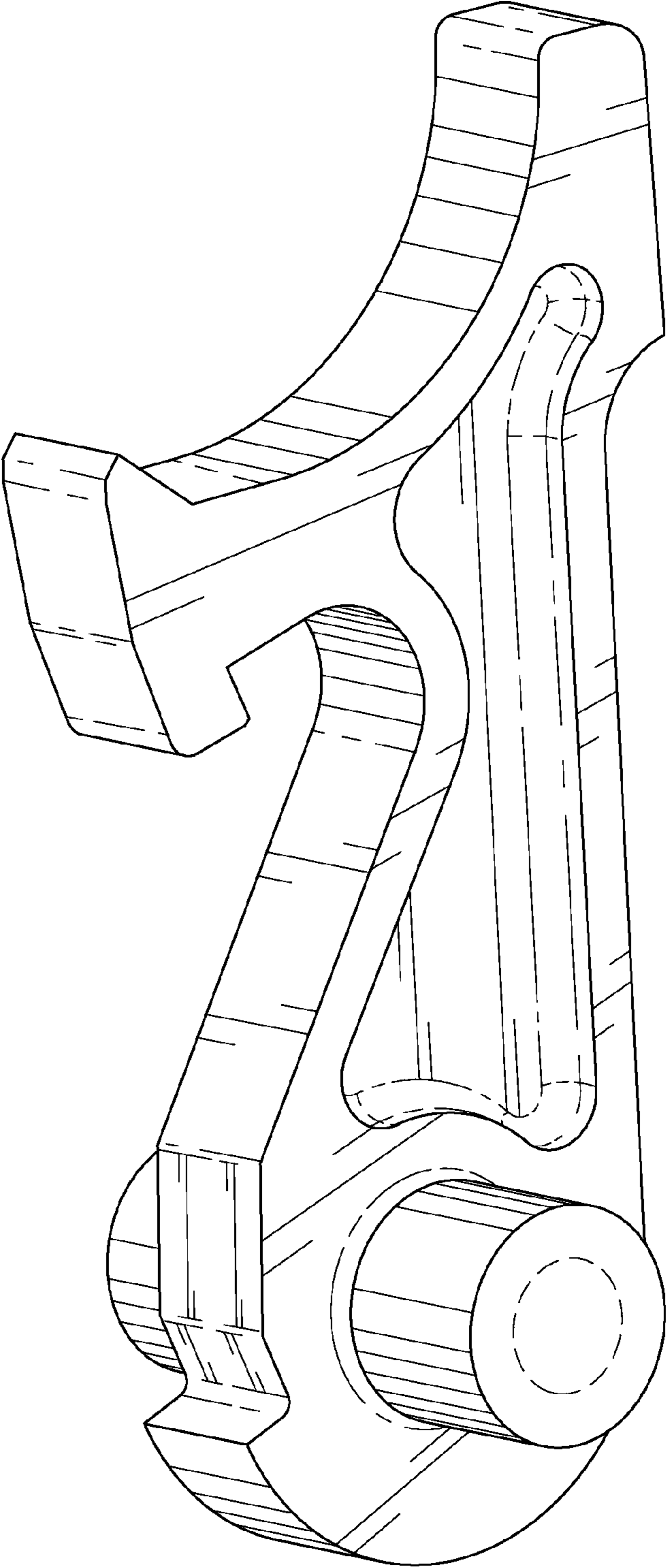


FIG. 2

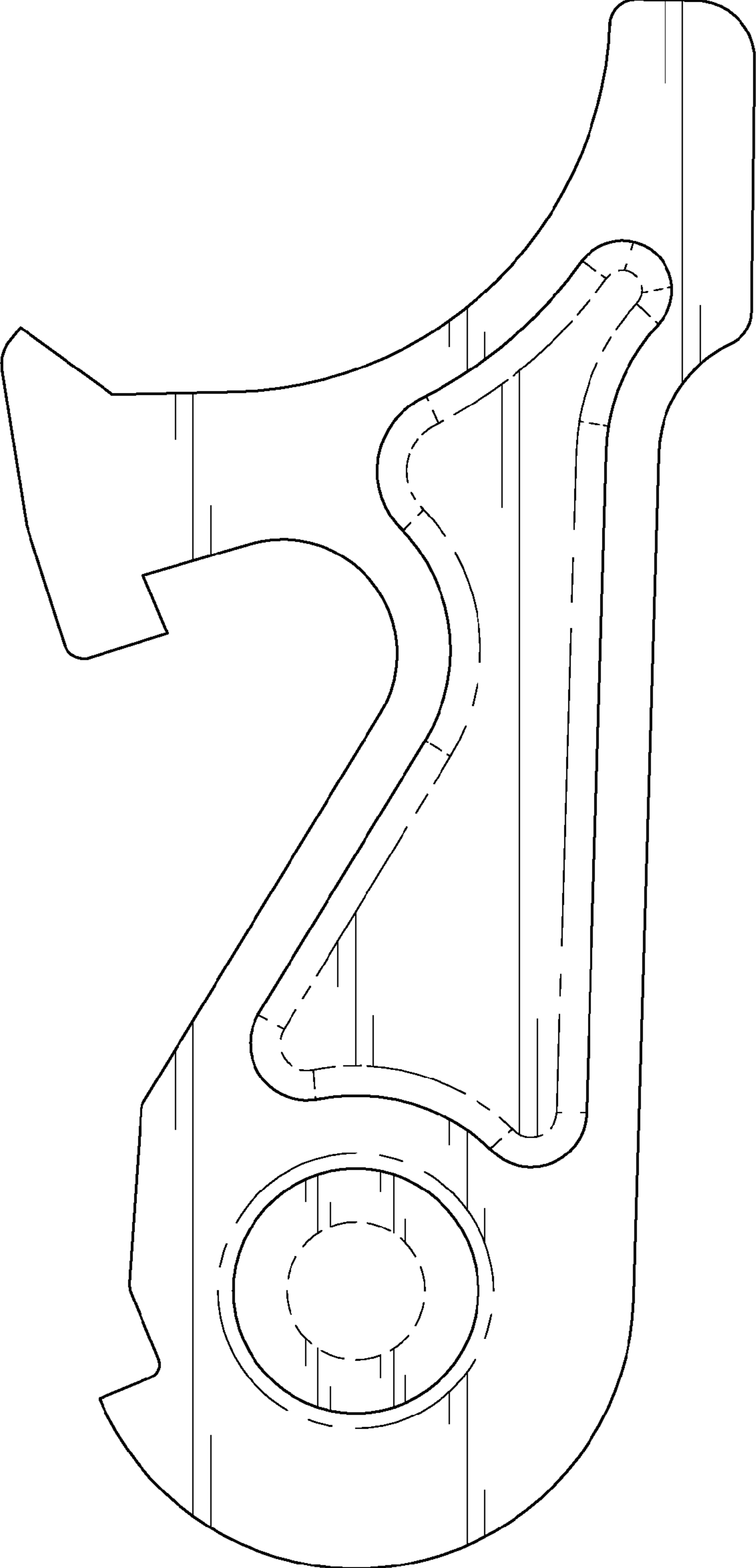


FIG. 3

