



US00D661767S

(12) **United States Design Patent**
Siddle et al.

(10) **Patent No.:** **US D661,767 S**
(45) **Date of Patent:** **** Jun. 12, 2012**

(54) **FIREARM BARREL**

(75) Inventors: **Kevin Siddle**, Millstadt, IL (US); **Bruce K. Siddle**, Millstadt, IL (US)

(73) Assignee: **Double Nickel Holdings, LLC**,
Millstadt, IL (US)

(**) Term: **14 Years**

(21) Appl. No.: **29/409,848**

(22) Filed: **Dec. 29, 2011**

Related U.S. Application Data

(63) Continuation of application No. 12/543,767, filed on Aug. 19, 2009, now Pat. No. 8,087,344.

(51) **LOC (9) Cl.** **22-01**

(52) **U.S. Cl.** **D22/103; D22/108**

(58) **Field of Classification Search** D22/104,
D22/105, 108, 109, 110, 11; 42/7, 42.03,
42/76.01-76.1; D21/573-574

See application file for complete search history.

(56) **References Cited**

U.S. PATENT DOCUMENTS

2,776,602	A *	1/1957	Sturtevant	89/196
3,728,939	A *	4/1973	Wilhelm	89/196
4,553,469	A *	11/1985	Atchisson	89/191.02
5,052,138	A *	10/1991	Crain	42/1.02
5,675,106	A *	10/1997	Leiter	89/14.5

6,370,806	B1 *	4/2002	Klebes et al.	42/84
6,789,342	B2 *	9/2004	Wonisch et al.	42/75.02
6,993,864	B1 *	2/2006	O'Clair et al.	42/75.02
7,318,294	B2 *	1/2008	Zimmermann	42/7
8,087,344	B2 *	1/2012	Siddle et al.	89/196
2004/0159033	A1 *	8/2004	Rohrbaugh	42/69.03
2009/0071053	A1 *	3/2009	Thomele et al.	42/1.01
2010/0269394	A1 *	10/2010	Ketchum	42/108

* cited by examiner

Primary Examiner — Michael Pratt

(74) *Attorney, Agent, or Firm* — Thompson Coburn LLP

(57) **CLAIM**

The ornamental design for a firearm barrel, as shown and described.

DESCRIPTION

FIG. 1 is a perspective view of a firearm barrel showing our new design;

FIG. 2 is an alternate perspective view of the firearm barrel of FIG. 1;

FIG. 3 is an elevational view of a breech end of the firearm barrel of FIG. 1;

FIG. 4 is an elevational view of a muzzle end of the firearm barrel of FIG. 1;

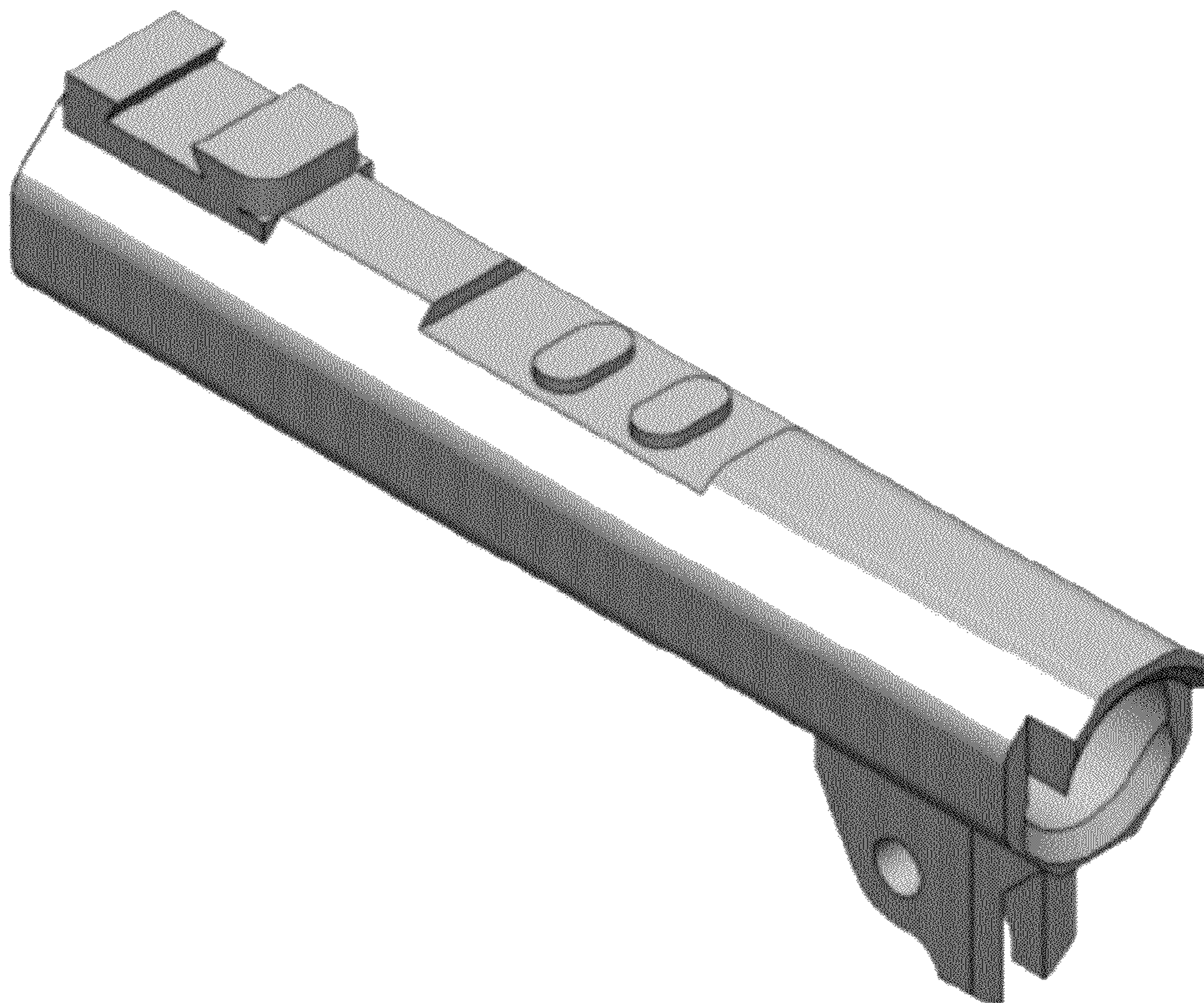
FIG. 5 is a side elevational view of the firearm barrel of FIG. 1 (the opposite side elevational view being a mirror image thereof);

FIG. 6 is a top view of the firearm barrel of FIG. 1; and,

FIG. 7 is a bottom view of the firearm barrel of FIG. 1.

The various tones of gray shading on the surface portions indicate contour and not surface decoration.

1 Claim, 3 Drawing Sheets



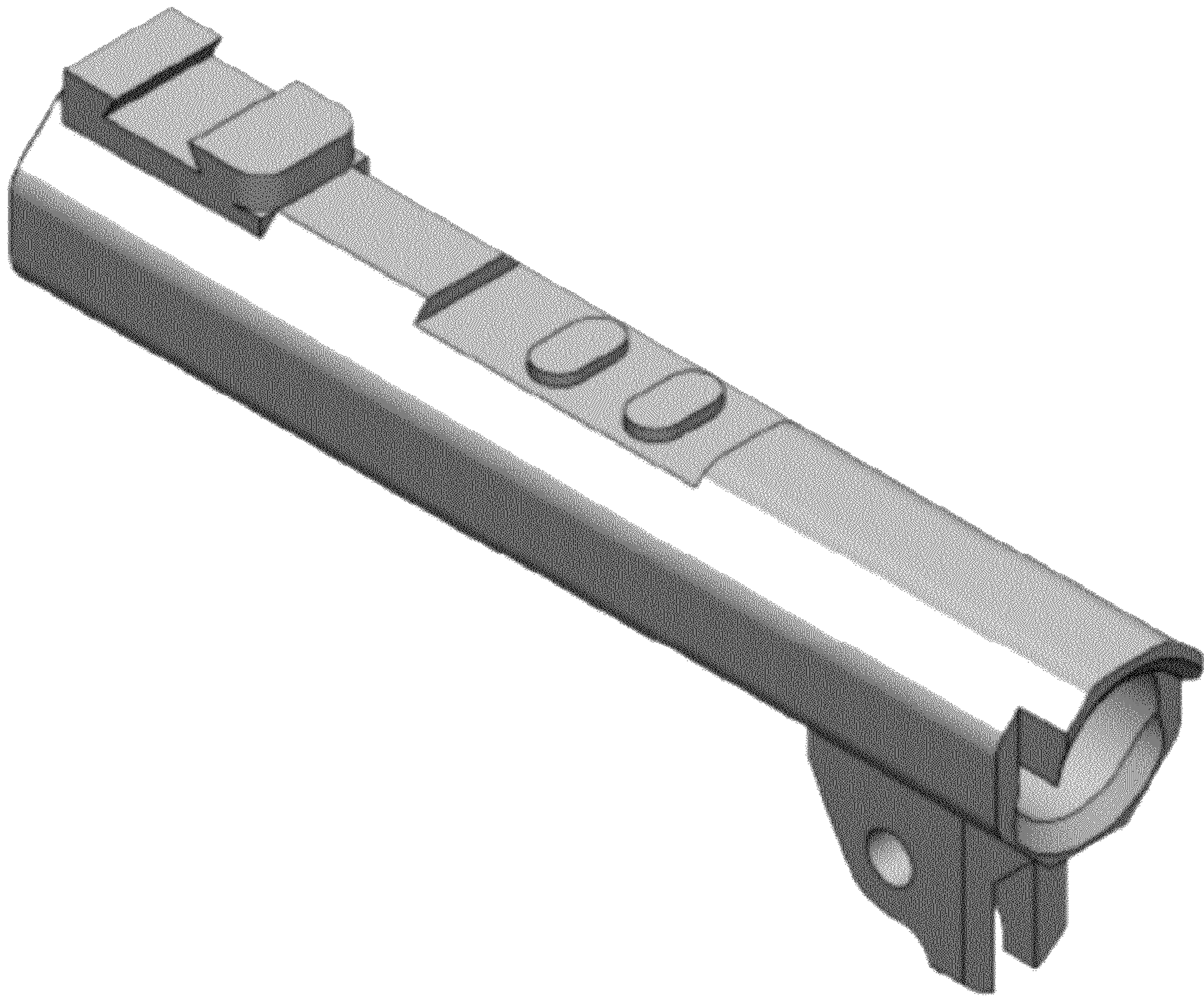


Figure 1

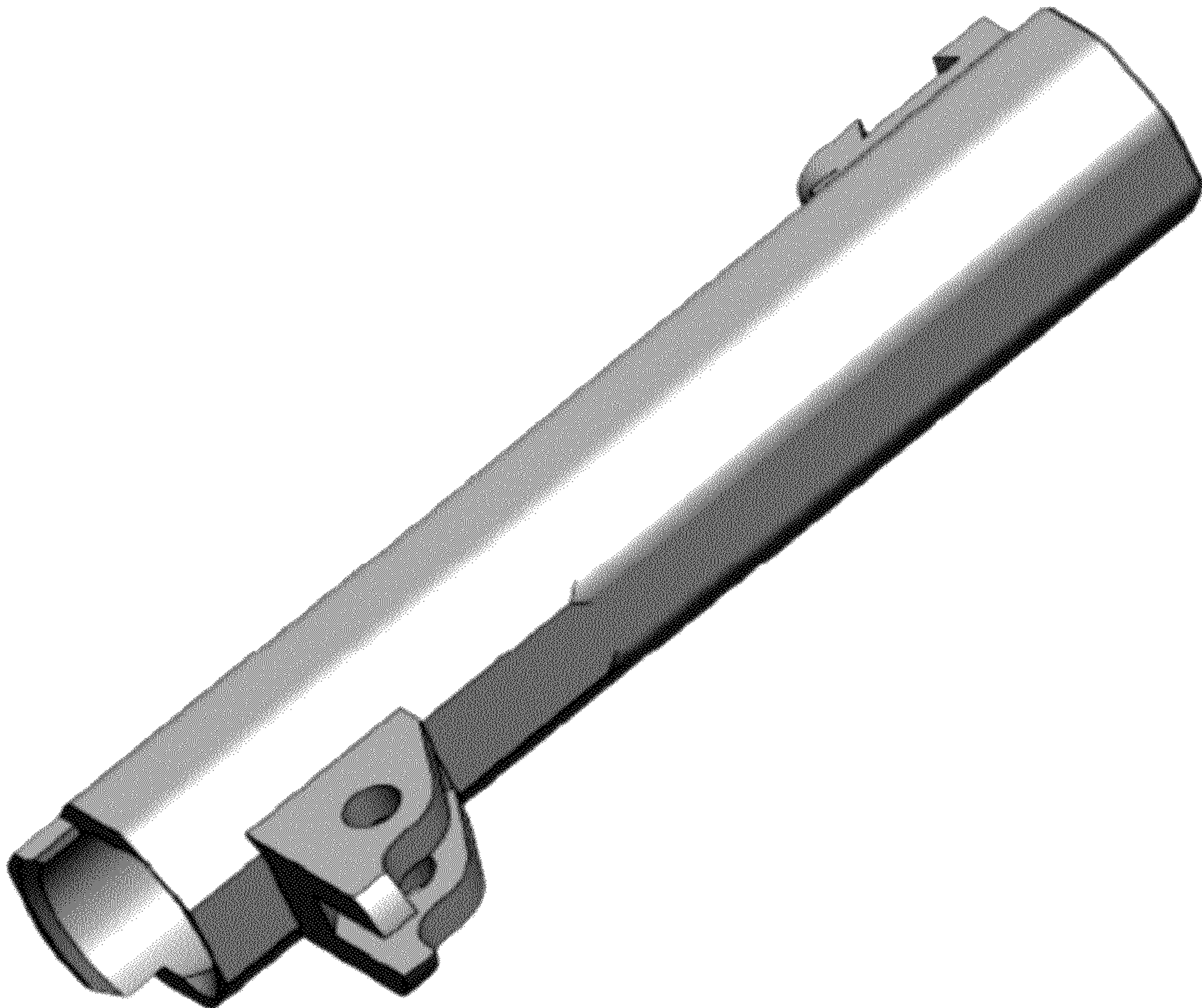


Figure 2

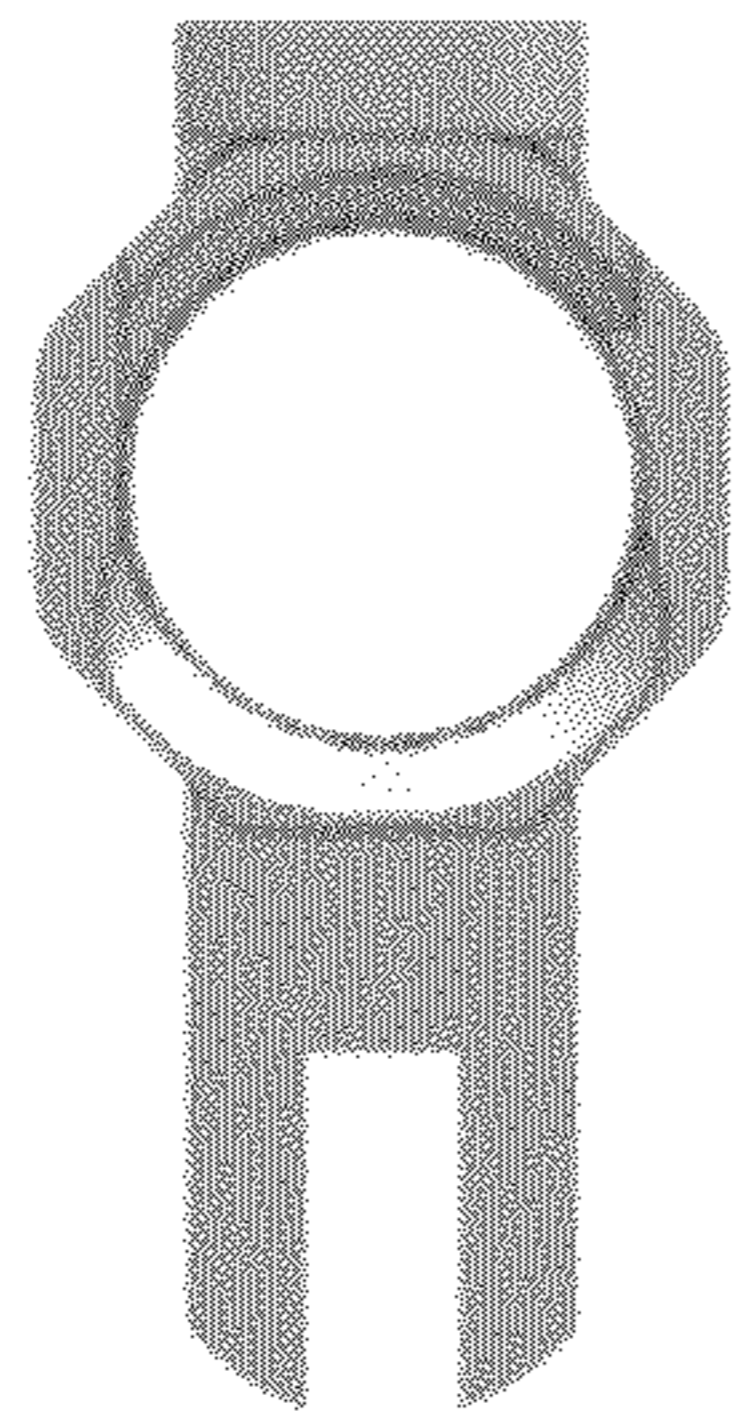


Figure 3

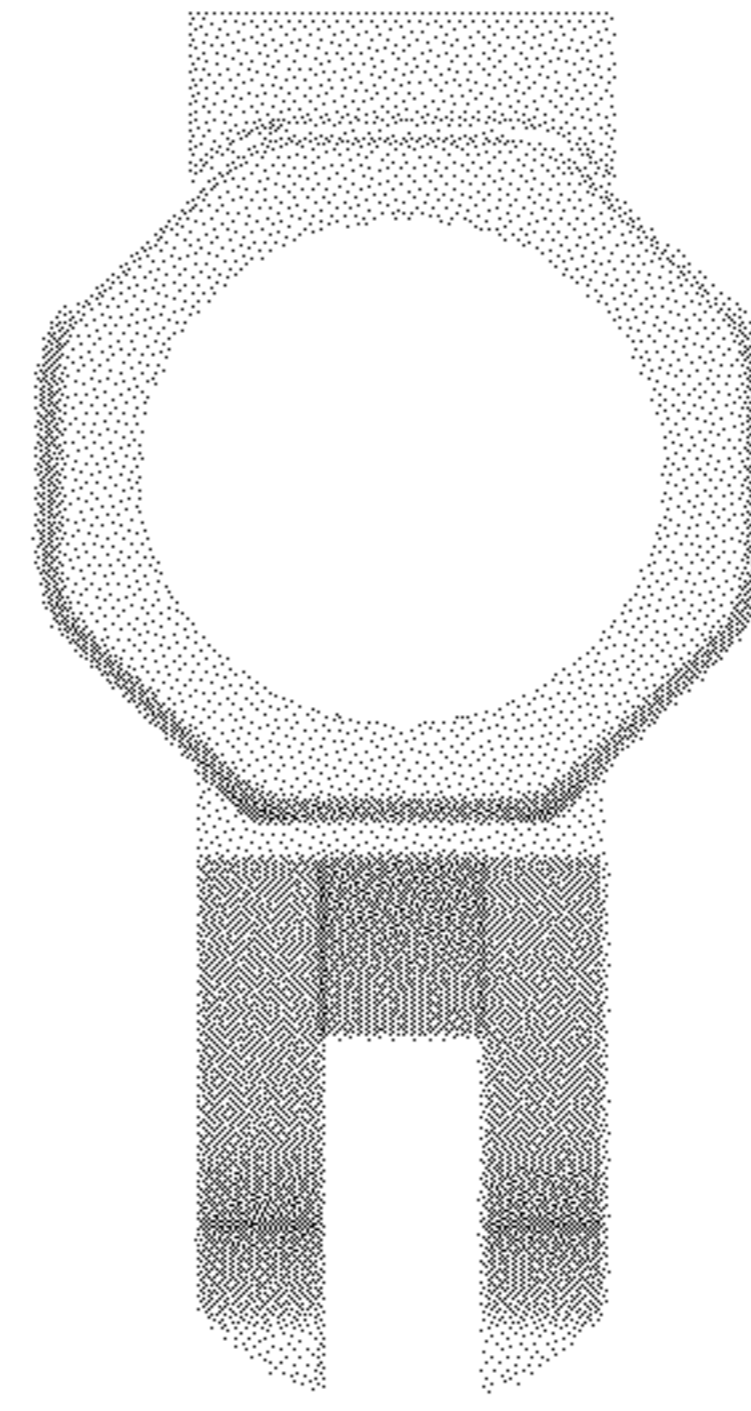


Figure 4

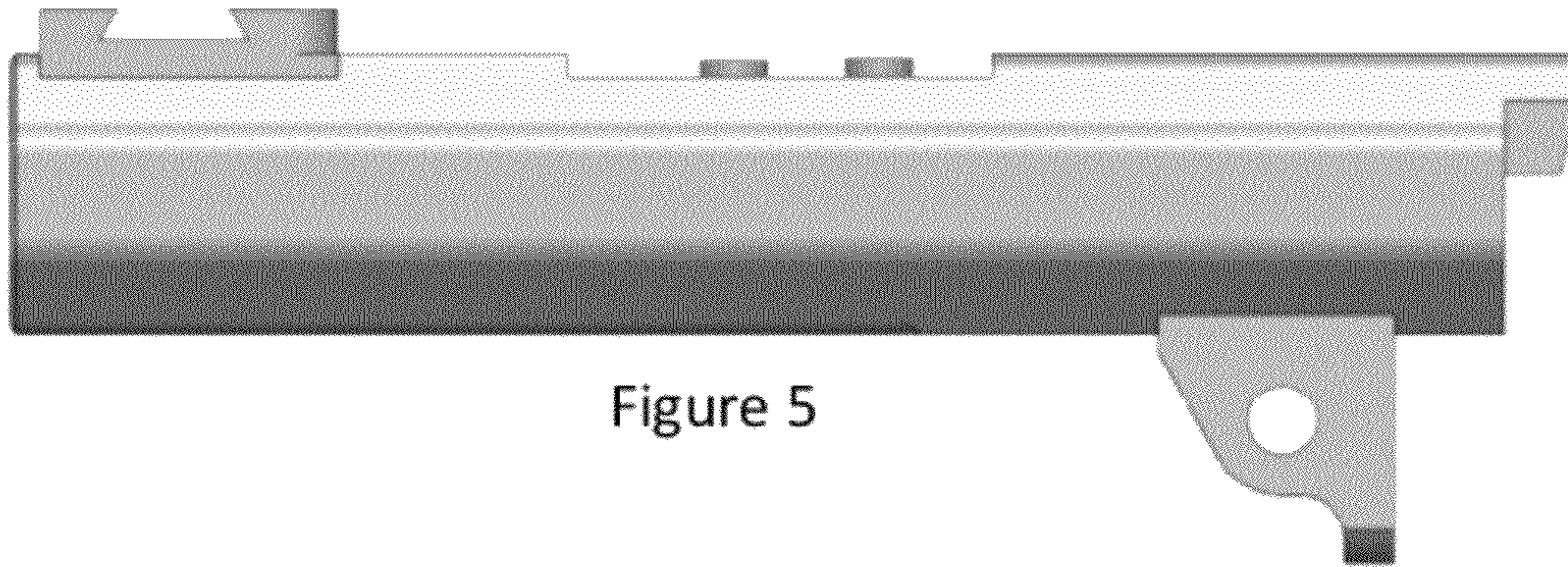


Figure 5

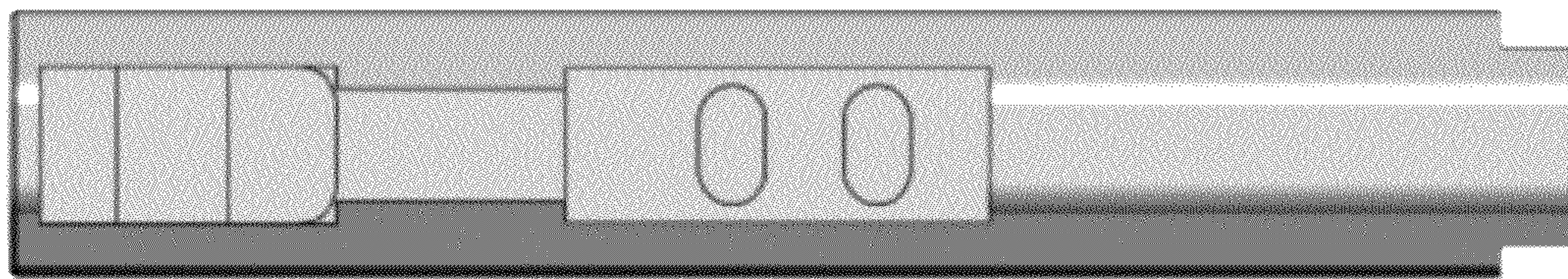


Figure 6

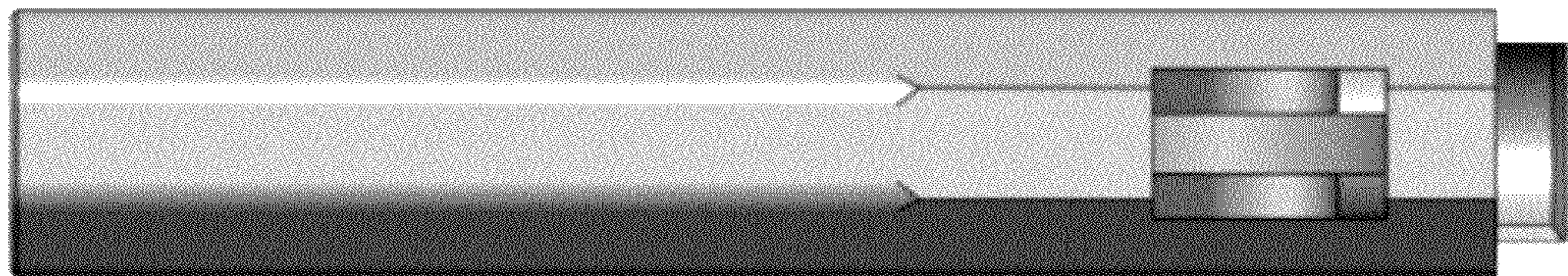


Figure 7