



US00D661746S

(12) **United States Design Patent**
Baldursson

(10) **Patent No.:** **US D661,746 S**
(45) **Date of Patent:** **** Jun. 12, 2012**

(54) **RAIL FOR ADVERTISING/DISPLAY UNIT**

(75) Inventor: **Bragi Baldursson**, Hindås (SE)

(73) Assignee: **B. Baldursson Reklam**, Hindas (SE)

(**) Term: **14 Years**

(21) Appl. No.: **29/391,474**

(22) Filed: **May 9, 2011**

(30) **Foreign Application Priority Data**

Nov. 9, 2010 (EM) 001244172-0001
Nov. 9, 2010 (EM) 001244172-0002
Nov. 9, 2010 (EM) 001244172-0003
Nov. 9, 2010 (EM) 001244172-0004
Nov. 9, 2010 (EM) 001244172-0005
Nov. 9, 2010 (EM) 001244172-0006

(51) **LOC (9) Cl.** **20-03**

(52) **U.S. Cl.** **D20/44**

(58) **Field of Classification Search** D20/10,
D20/19, 42-44, 99; 40/611.12, 642.02, 643,
40/644, 649, 655, 657, 658, 661, 661.03,
40/661.06, 661.11, 661.12, 666; D8/354,
D8/373; D23/373; D25/119; 211/11, 50,
211/57.1, 86.01, 119.03; 248/220.41, 221.42,
248/223.41, 231.81

See application file for complete search history.

(56) **References Cited**

U.S. PATENT DOCUMENTS

3,086,658 A * 4/1963 Palmer 211/50
D221,854 S * 9/1971 Dowdell et al. D23/373
D240,013 S * 5/1976 McKee D8/354

5,899,011 A * 5/1999 Brinkman 40/661.03
D425,566 S * 5/2000 Mueller et al. D20/43
D426,584 S * 6/2000 Czalkiewicz D20/43
D504,160 S * 4/2005 Abramson D20/44
D526,887 S * 8/2006 Remmers et al. D8/373
D527,834 S * 9/2006 Thimons et al. D25/119
D536,954 S * 2/2007 Sjoberg D8/373
D554,773 S * 11/2007 Antonic D25/119
D563,567 S * 3/2008 Fischer D25/119
2002/0139025 A1 * 10/2002 Pitcher et al. 40/611
2004/0178308 A1 * 9/2004 Bacnik 248/223.41
2004/0211101 A1 * 10/2004 Pitcher et al. 40/658
2004/0237369 A1 * 12/2004 Andersson 40/661.03
2005/0193612 A1 * 9/2005 Lowry 40/661.03

* cited by examiner

Primary Examiner — Mary Ann Calabrese

(74) *Attorney, Agent, or Firm* — Nixon & Vanderhye, P.C.

(57) **CLAIM**

The ornamental design for “rail for advertising/display unit,” as shown and described.

DESCRIPTION

FIG. 1 is a right, top, rear perspective view of a rail for advertising/display unit in accordance with a first embodiment of my new design;

FIG. 2 is a right, bottom, front perspective view thereof;

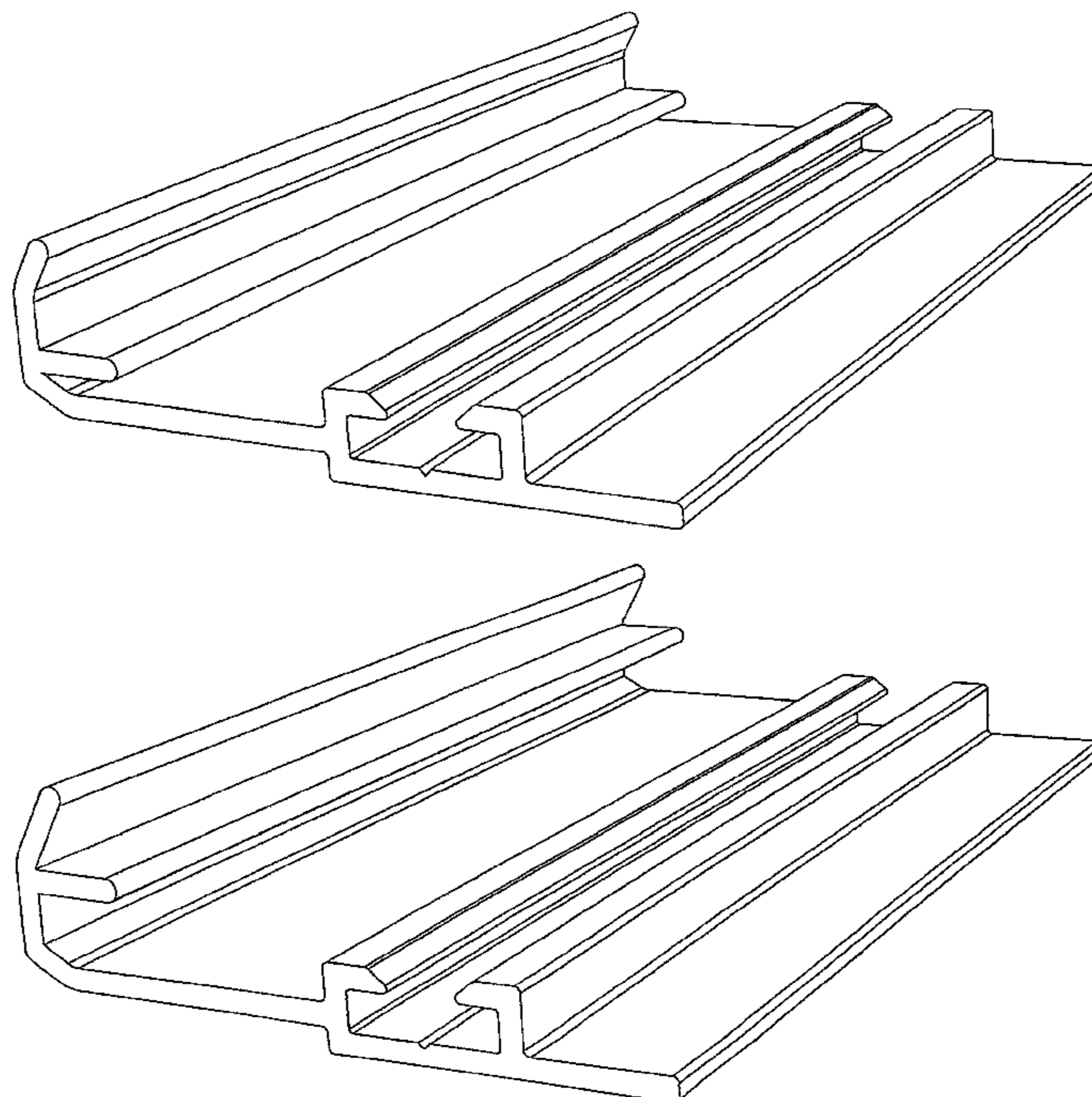
FIG. 3 is a right side elevation view thereof; the left side view being a mirror image thereof;

FIG. 4 is a right, top, rear perspective view of a rail for advertising/display unit in accordance with a second embodiment of my new design;

FIG. 5 is a right, bottom, front perspective view thereof; and,

FIG. 6 is a right side elevation view thereof; the left side view being a mirror image thereof.

1 Claim, 6 Drawing Sheets



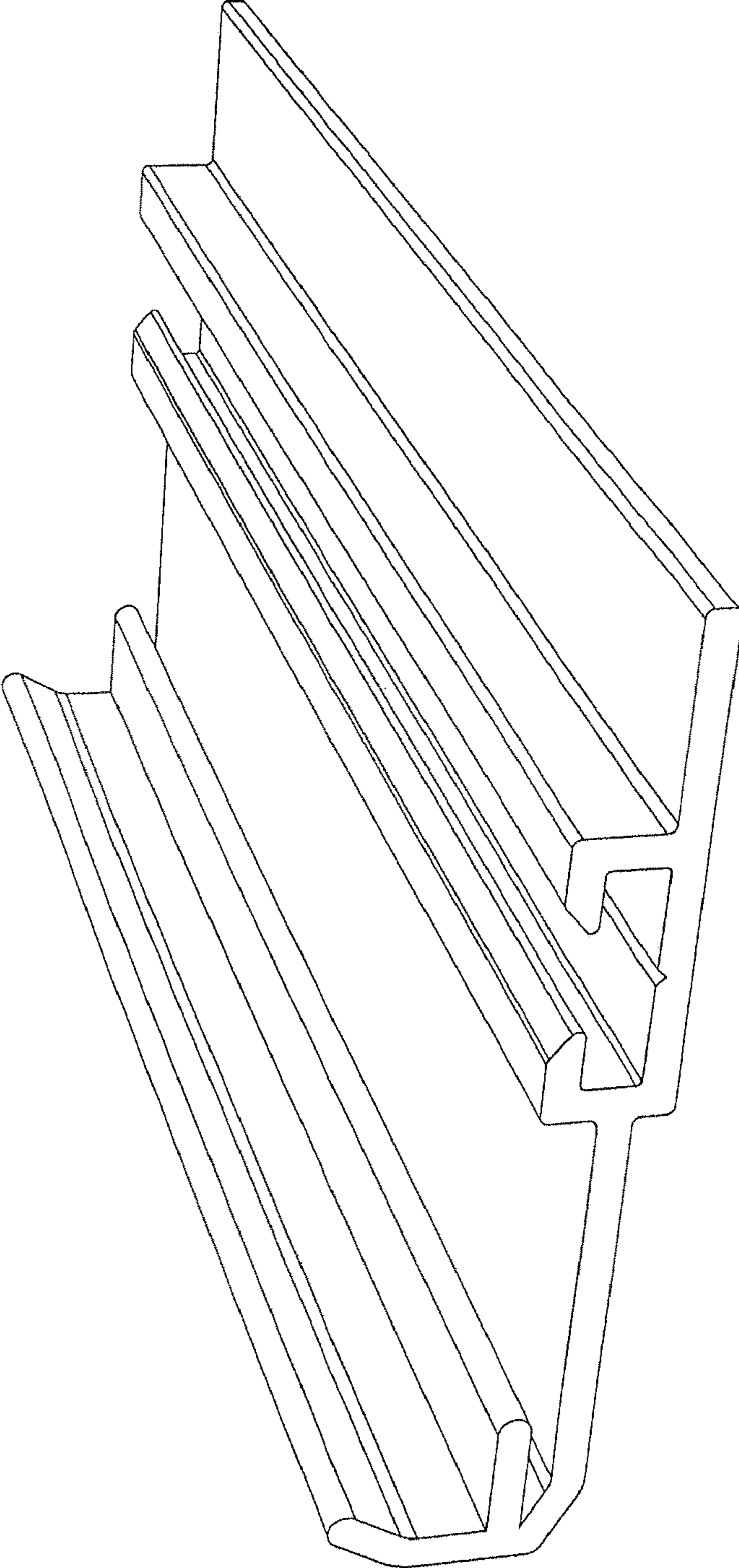


FIG. 1

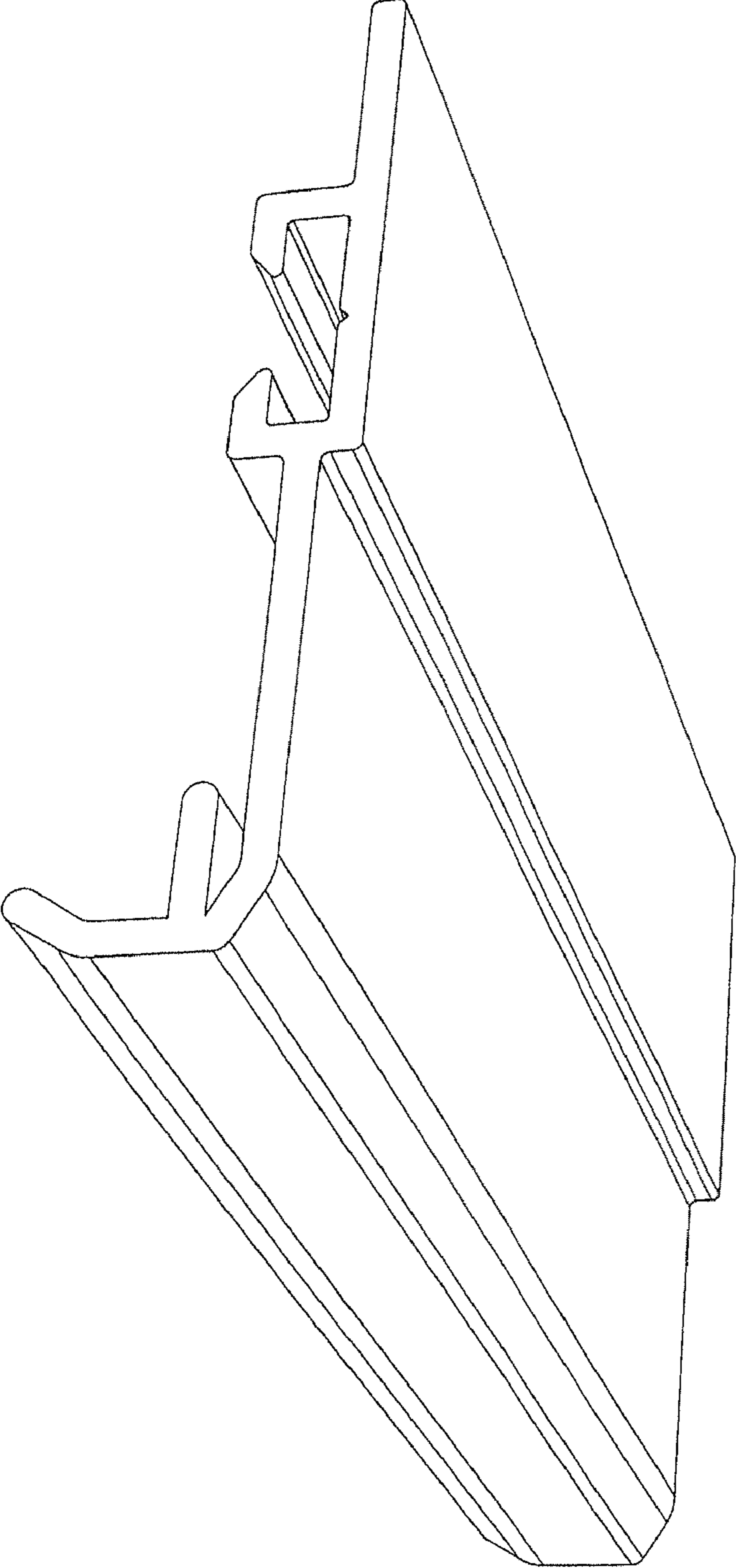


FIG. 2

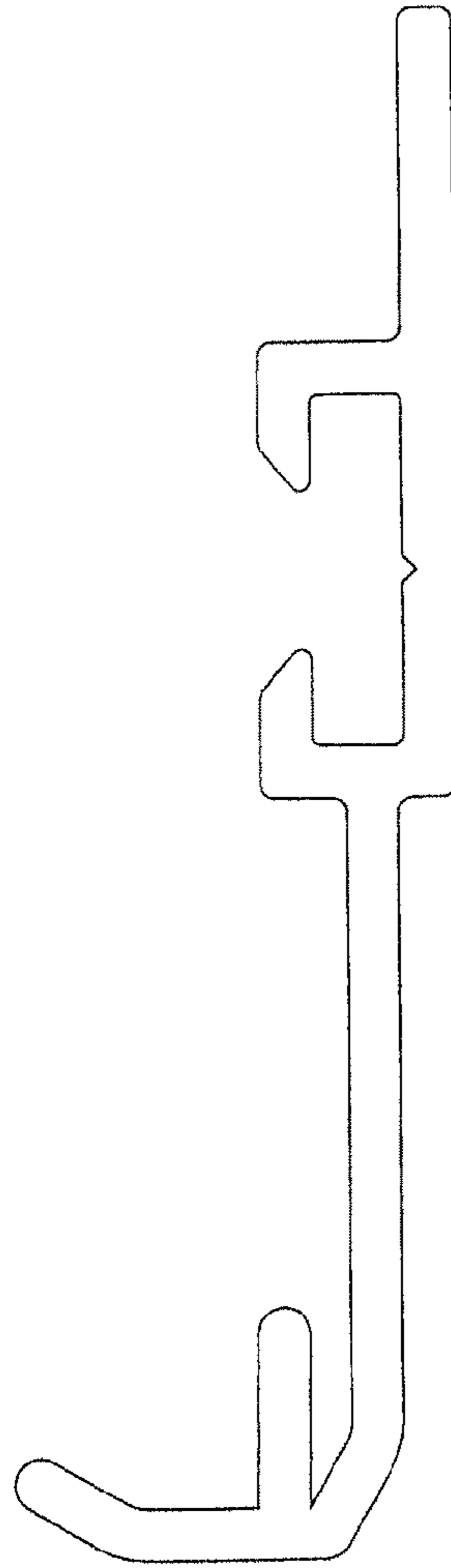


FIG. 3

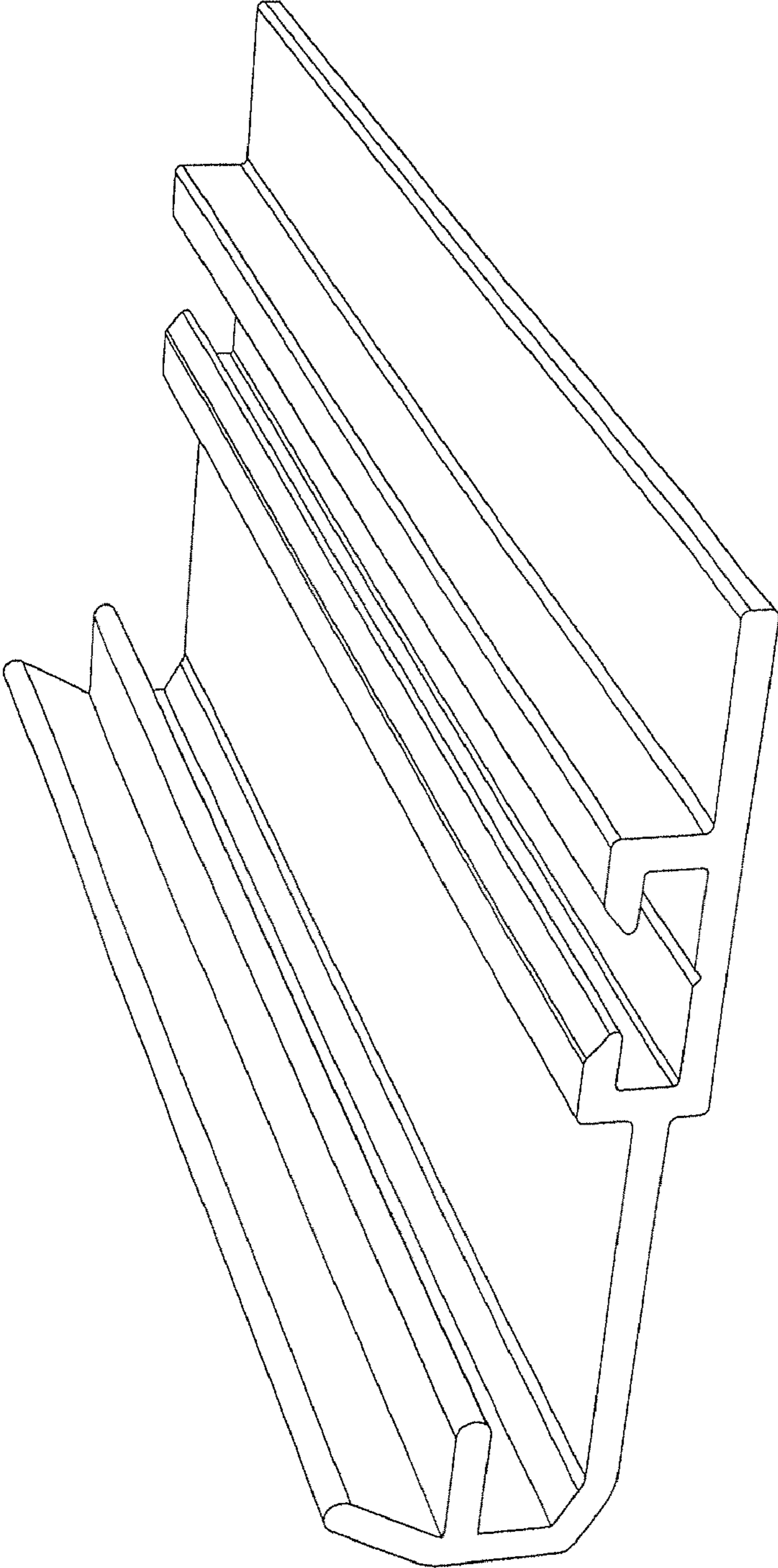


FIG. 4

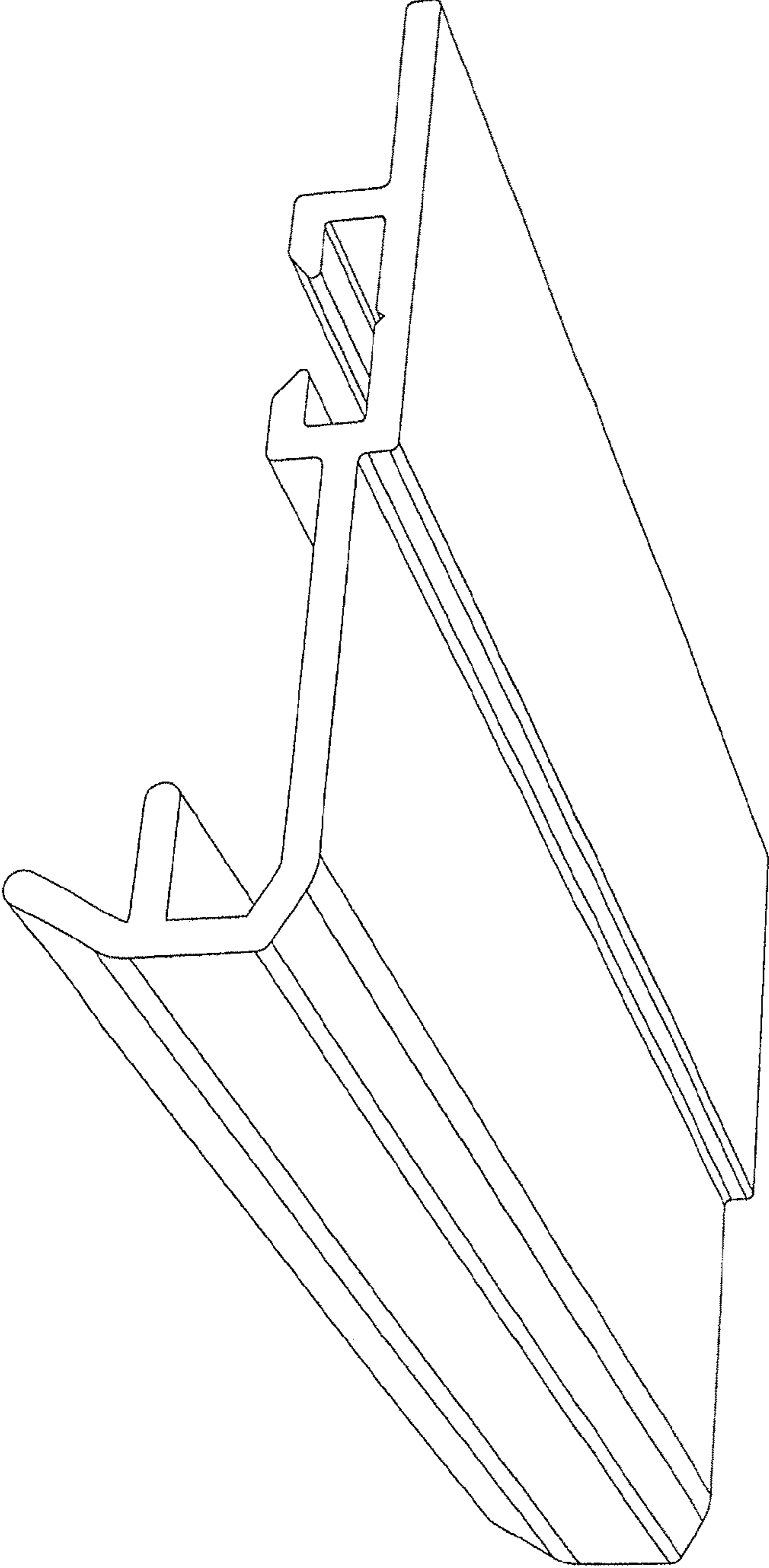


FIG. 5

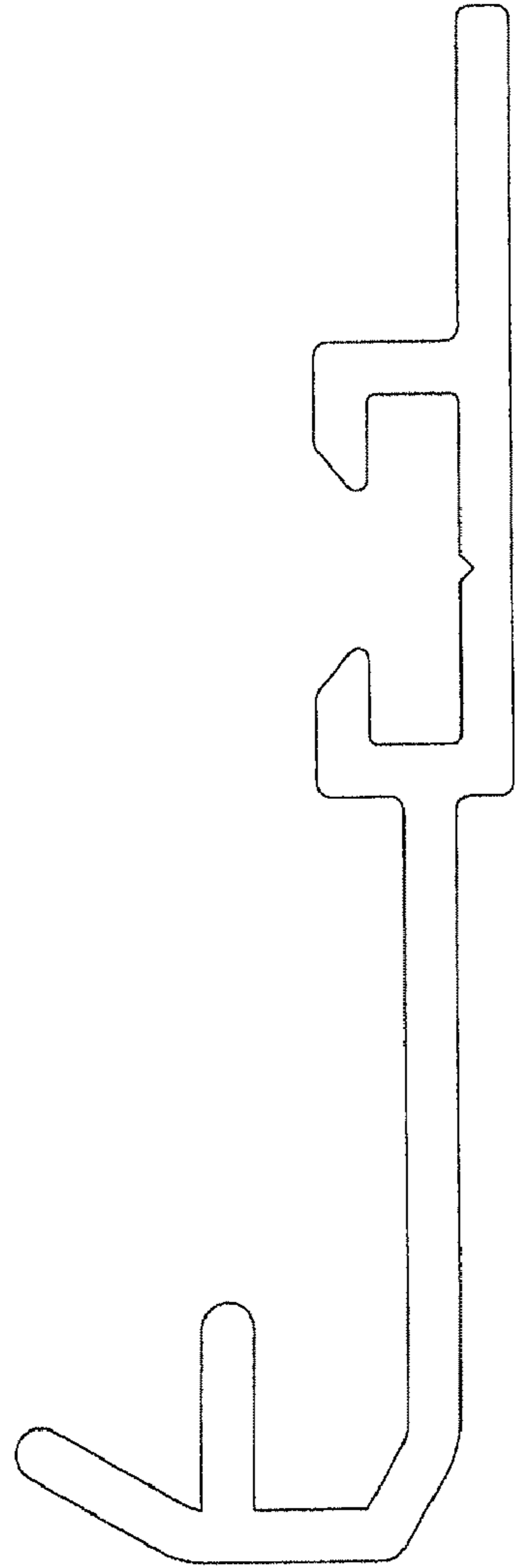


FIG. 6