



US00D661740S

(12) **United States Design Patent**
Jour

(10) **Patent No.:** **US D661,740 S**
(45) **Date of Patent:** **** Jun. 12, 2012**

- (54) **NOTEPAPER DISPENSER**
- (76) Inventor: **David C. T. Jour**, Taipei (TW)
- (**) Term: **14 Years**
- (21) Appl. No.: **29/360,163**
- (22) Filed: **Apr. 21, 2010**
- (51) **LOC (9) Cl.** **19-02**
- (52) **U.S. Cl.** **D19/86**
- (58) **Field of Classification Search** D6/515,
D6/518, 519; D9/734; D19/65, 75, 78, 86-92;
206/39.5, 215, 233, 494, 555; 221/45, 46,
221/48, 52, 56, 59, 61, 63
See application file for complete search history.

D564,583	S	*	3/2008	Windorski	D19/36
D564,584	S	*	3/2008	Windorski et al.	D19/36
D564,812	S	*	3/2008	Tomic et al.	D6/518
D570,142	S	*	6/2008	Lin	D6/515
7,547,155	B2	*	6/2009	Windorski	401/195
D612,886	S	*	3/2010	Newbould et al.	D19/36
D624,967	S	*	10/2010	Jour	D19/86
D640,744	S	*	6/2011	Jour	D19/86
D641,045	S	*	7/2011	Jour	D19/86
D644,692	S	*	9/2011	Jour	D19/86
2008/0011626	A1	*	1/2008	Bodziak et al.	206/233
2011/0163110	A1	*	7/2011	Lehmann	221/1

* cited by examiner

Primary Examiner — Elizabeth Albert
(74) *Attorney, Agent, or Firm* — Alexander Chen, Esq.

(57) **CLAIM**
An ornamental design for a notepaper dispenser, as shown and described.

(56) **References Cited**

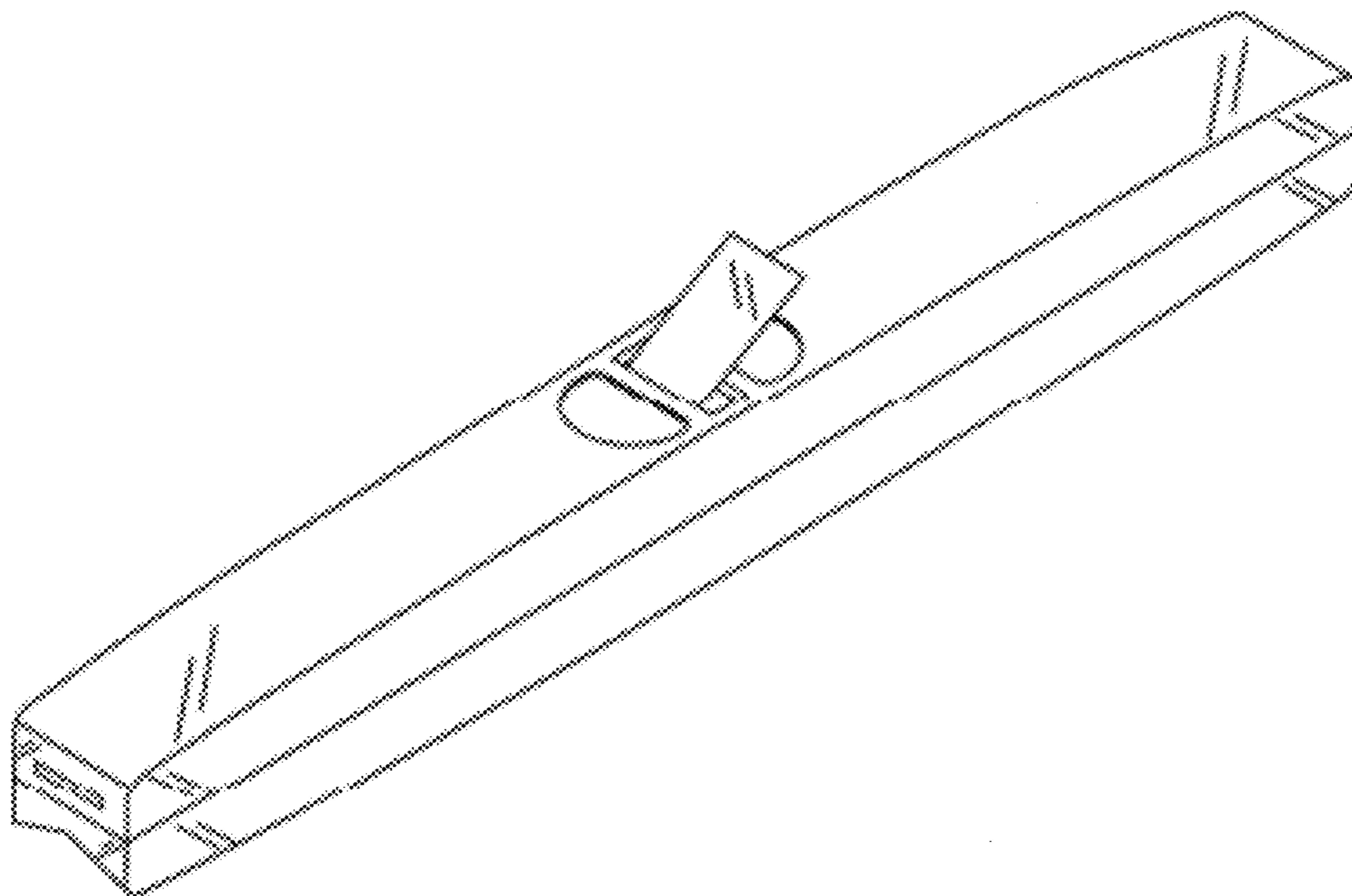
U.S. PATENT DOCUMENTS

D198,936	S	*	8/1964	Leotta	D6/518
4,770,320	A	*	9/1988	Miles et al.	221/33
D306,462	S	*	3/1990	Miles et al.	D19/86
D331,075	S	*	11/1992	Dotterman et al.	D19/86
D379,569	S	*	6/1997	Strickland et al.	D6/518
D419,601	S	*	1/2000	Windorski	D19/86
D428,926	S	*	8/2000	Windorski	D19/86
D482,915	S	*	12/2003	Yang et al.	D6/515
D564,023	S	*	3/2008	Windorski	D19/36
D564,582	S	*	3/2008	Windorski	D19/36

DESCRIPTION

FIG. 1 is a front view of a notepaper dispenser showing my new design;
FIG. 2 is a rear view thereof;
FIG. 3 is a left side view thereof;
FIG. 4 is a right side view thereof;
FIG. 5 is a top plan view thereof;
FIG. 6 is a bottom plan view thereof; and,
FIG. 7 is a perspective view thereof.

1 Claim, 4 Drawing Sheets



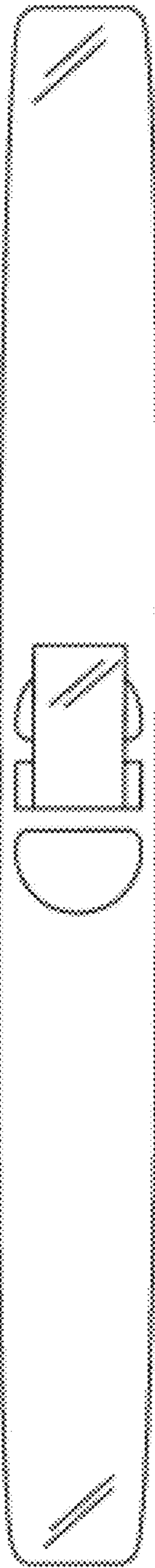


Fig. 1

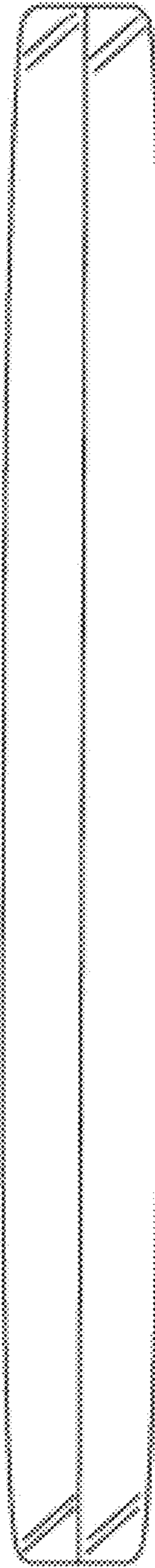


Fig. 2

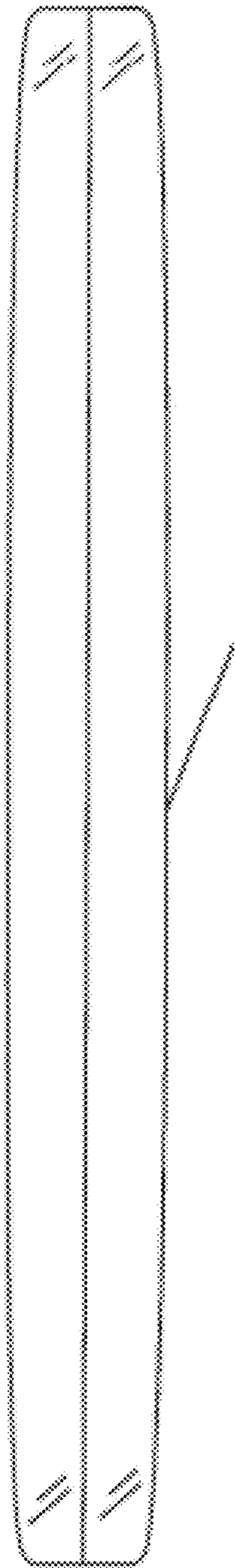


Fig. 3

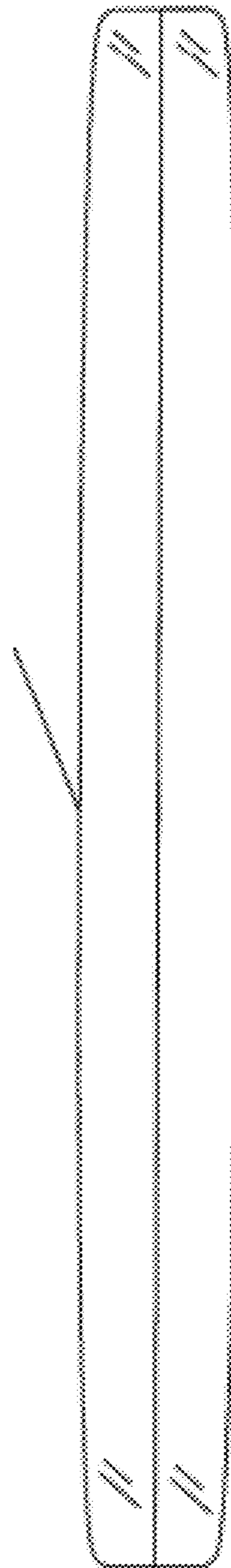


Fig. 4

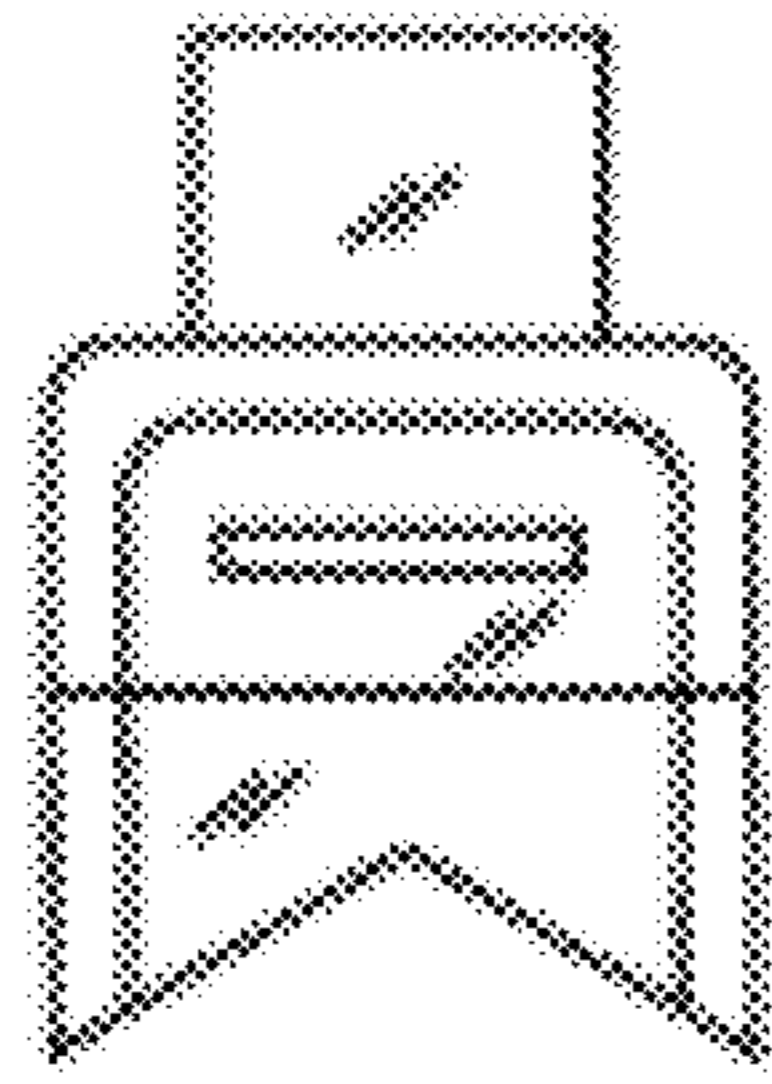


Fig. 5

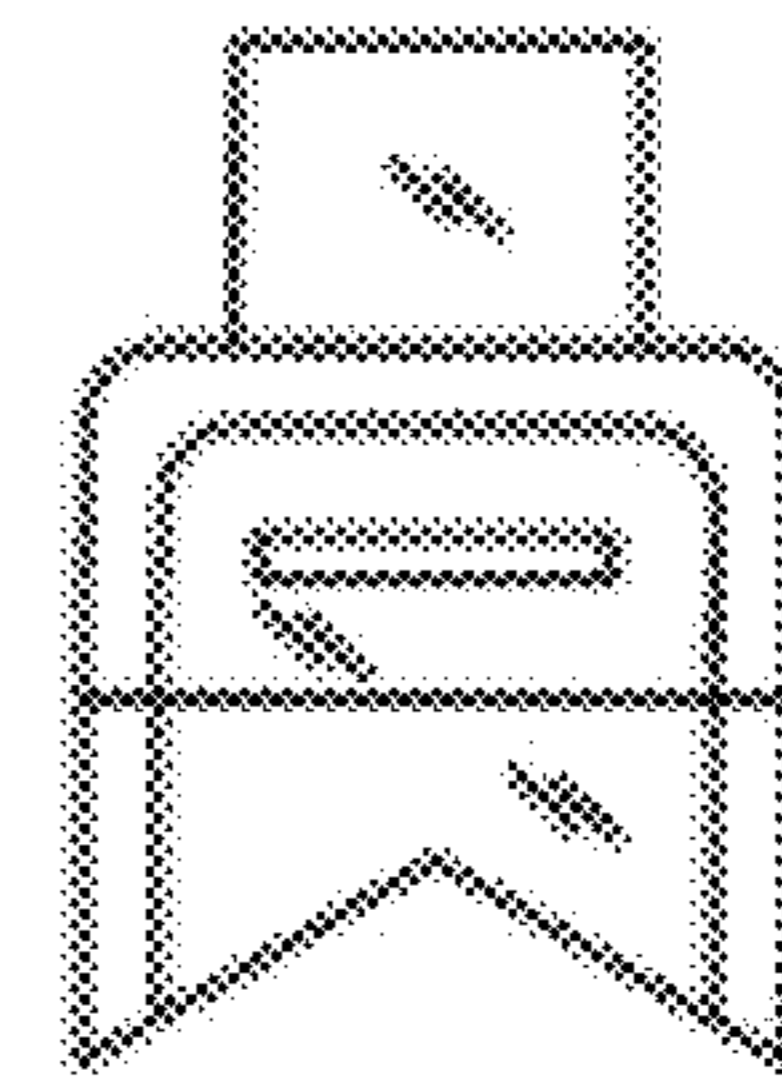


Fig. 6

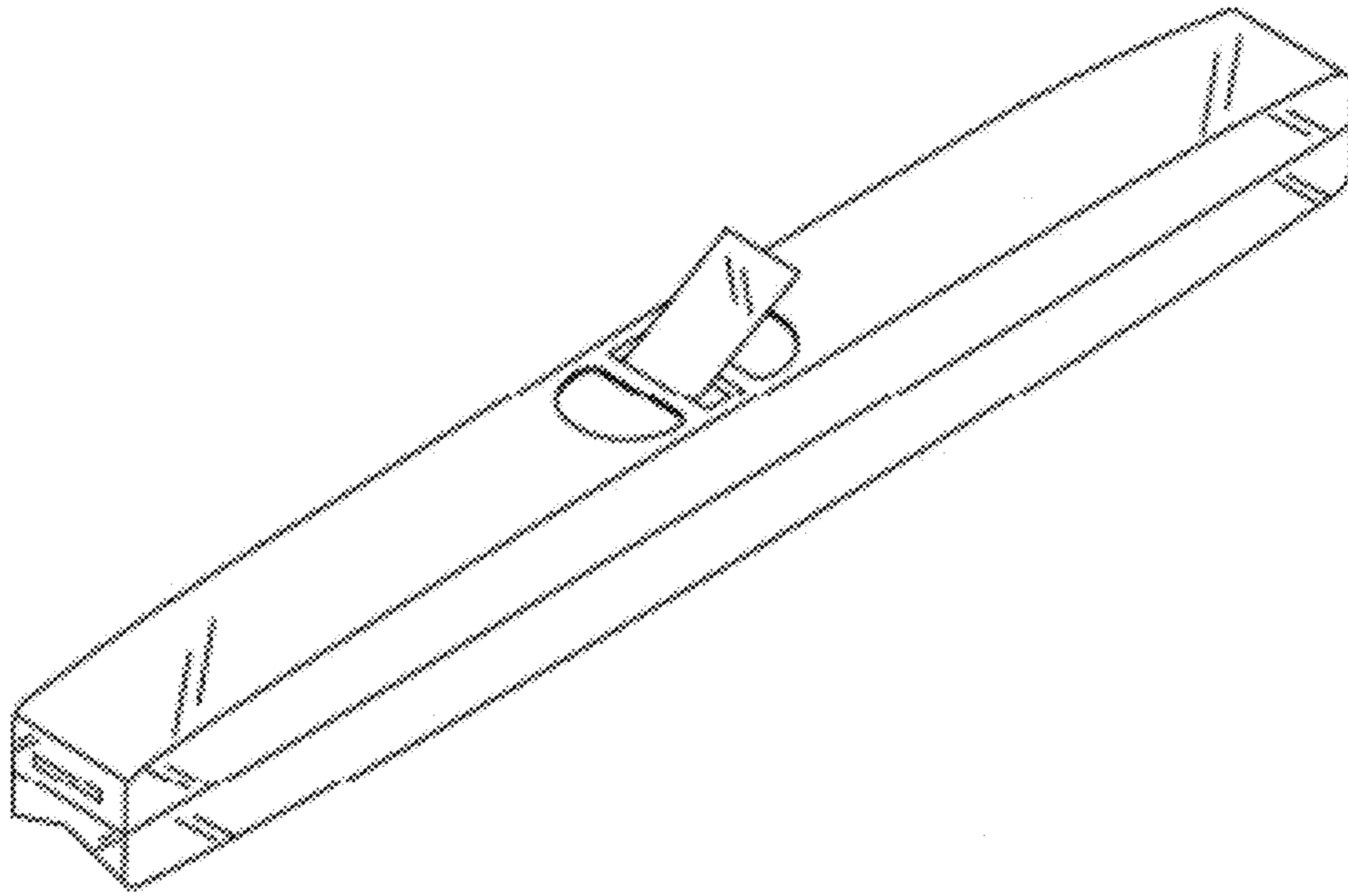


Fig. 7