

US00D661739S

(12) **United States Design Patent**
Kishimoto et al.

(10) **Patent No.:** **US D661,739 S**
(45) **Date of Patent:** **** Jun. 12, 2012**

(54) **COATING FILM TRANSFER TOOL**

(75) Inventors: **Daiki Kishimoto**, Osaka (JP); **Keiji Kai**, Osaka (JP); **Hideto Shima**, Kyoto (JP)

(73) Assignee: **Kokuyo Co., Ltd.**, Osaka (JP)

(**) Term: **14 Years**

(21) Appl. No.: **29/391,406**

(22) Filed: **May 9, 2011**

(30) **Foreign Application Priority Data**

Nov. 10, 2010 (JP) 2010-026994

(51) **LOC (9) Cl.** **19-02**

(52) **U.S. Cl.** **D19/69**

(58) **Field of Classification Search** D19/66,
D19/67, 68, 69, 70; 156/523, 257, 540, 577;
206/411; 225/6, 25, 39, 77; 242/588, 588.1,
242/588.2, 588.3, 588.6, 5

See application file for complete search history.

(56) **References Cited**

U.S. PATENT DOCUMENTS

6,270,578 B1 * 8/2001 Murakoshi 118/257
D456,450 S * 4/2002 Kimura D19/69
6,739,369 B2 * 5/2004 Watanabe 156/577
D594,904 S * 6/2009 Kai et al. D19/69

D594,905 S * 6/2009 Matsushita et al. D19/69
D595,774 S * 7/2009 Kouda D19/69
D598,956 S * 8/2009 Matsushita et al. D19/69
7,784,517 B2 * 8/2010 Sakanishi 156/540
7,793,883 B2 * 9/2010 Kinugasa et al. 242/588.6
D645,513 S * 9/2011 Mitsui et al. D19/69
D651,650 S * 1/2012 Kishimoto et al. D19/69
2005/0139326 A1 * 6/2005 Mitsui et al. 156/540
2010/0116440 A1 * 5/2010 Kai et al. 156/577

* cited by examiner

Primary Examiner — Austin Murphy

(74) *Attorney, Agent, or Firm* — Dennis R. Haszko

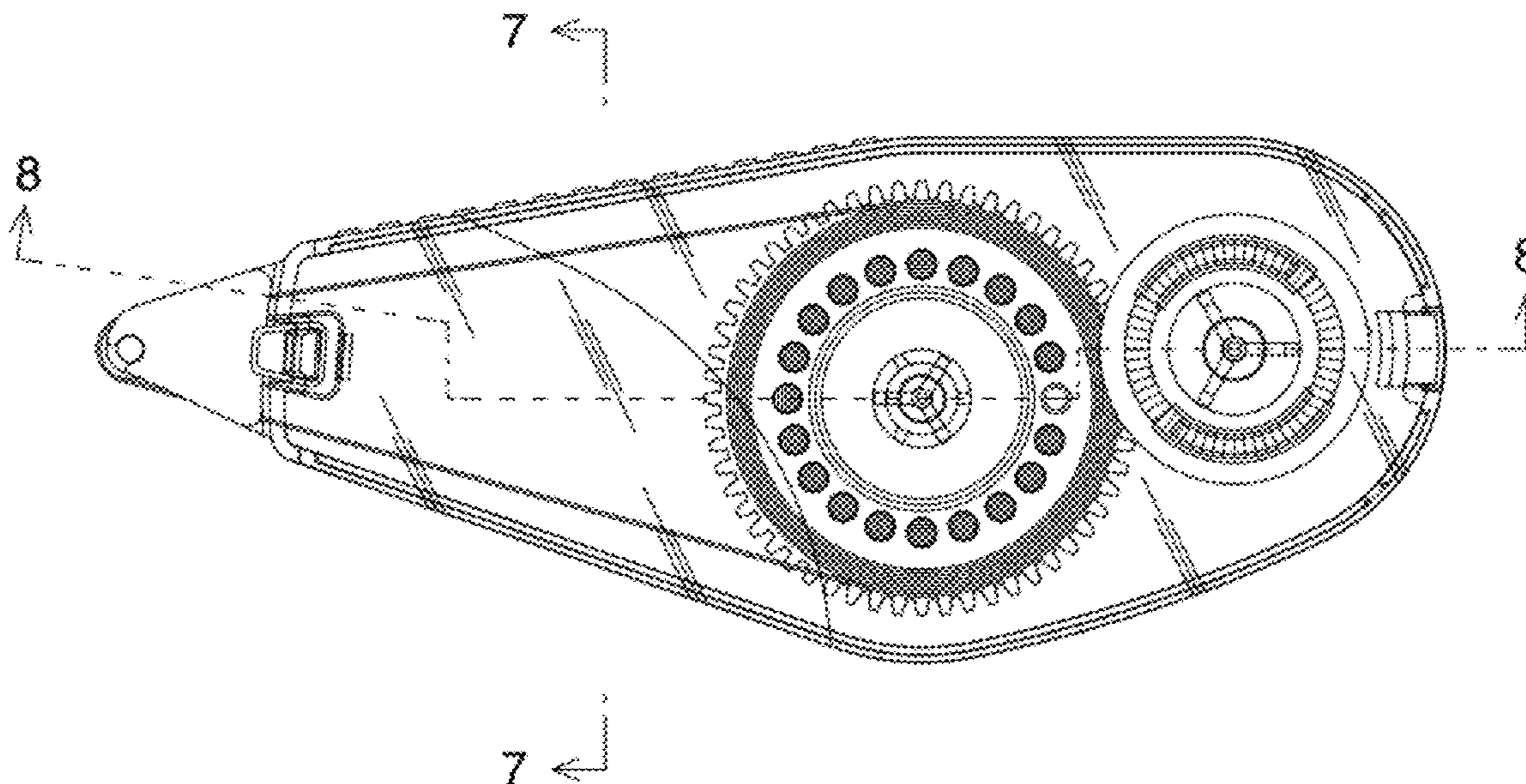
(57) **CLAIM**

The ornamental design for a coating film transfer tool.

DESCRIPTION

FIG. 1 is a front view of the coating film transfer tool;
FIG. 2 is a rear view thereof;
FIG. 3 is a top view thereof;
FIG. 4 is a bottom view thereof;
FIG. 5 is a right side view thereof;
FIG. 6 is a left side view thereof;
FIG. 7 is a sectional view thereof taken along line 7-7 of FIG. 1; and,
FIG. 8 is a sectional view thereof taken along line 8-8 of FIG. 1.

1 Claim, 6 Drawing Sheets



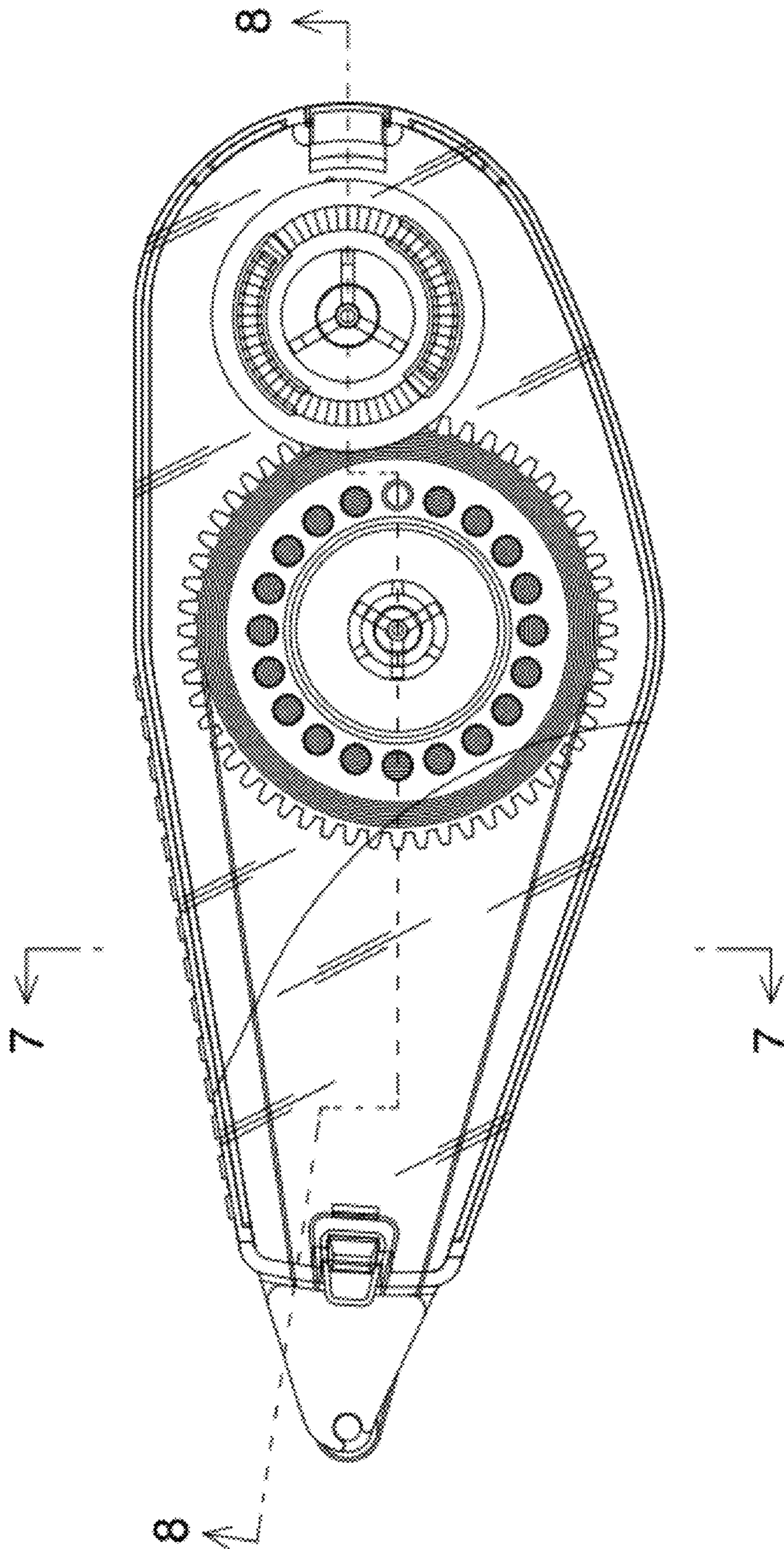


FIG.1

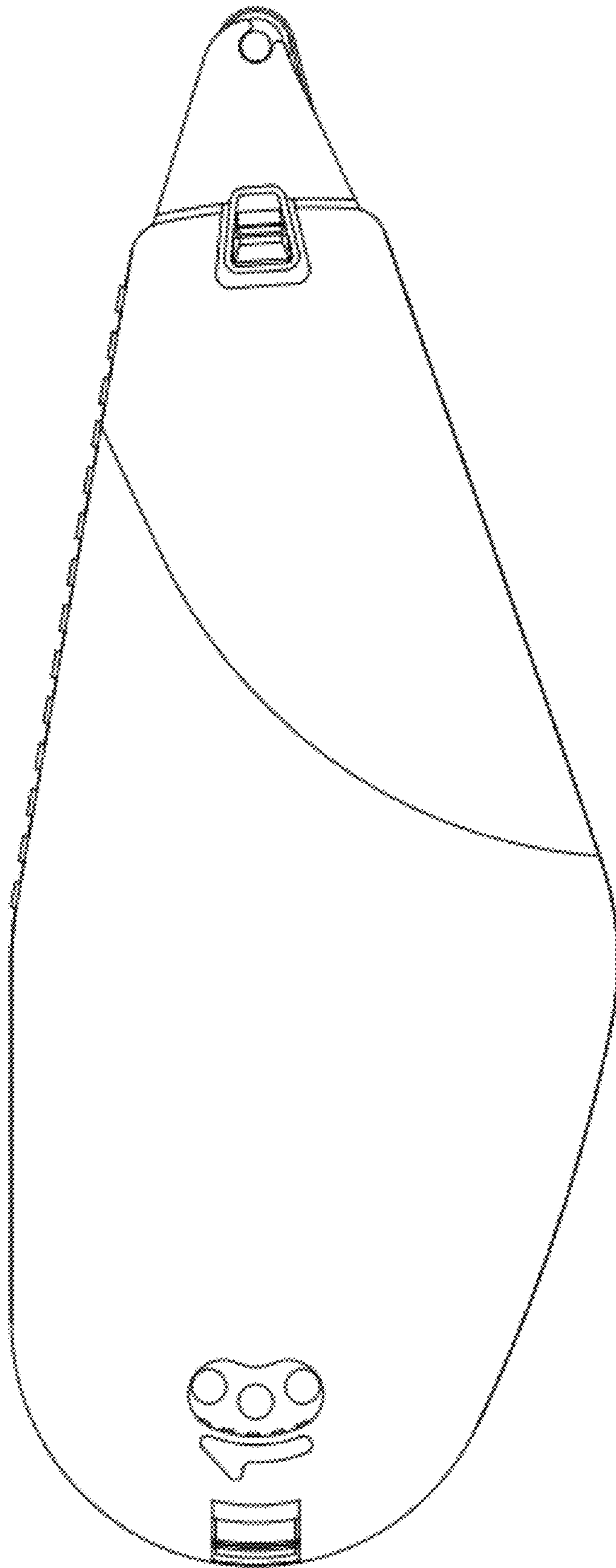


FIG.2

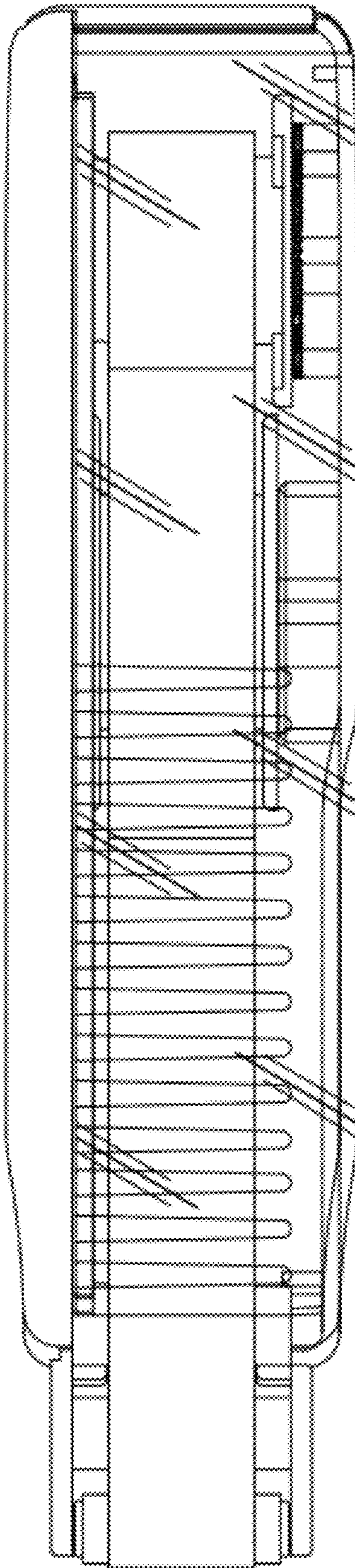


FIG.3

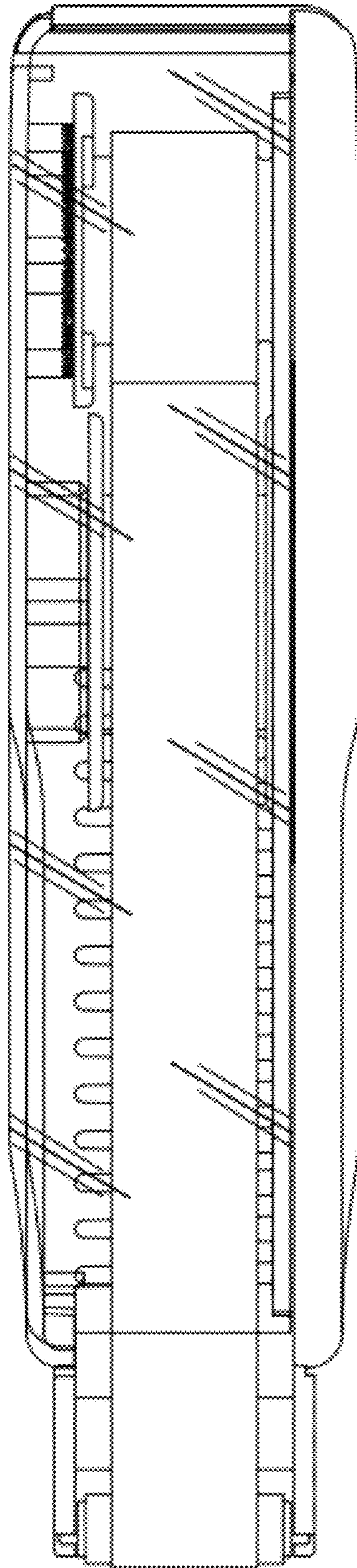


FIG.4

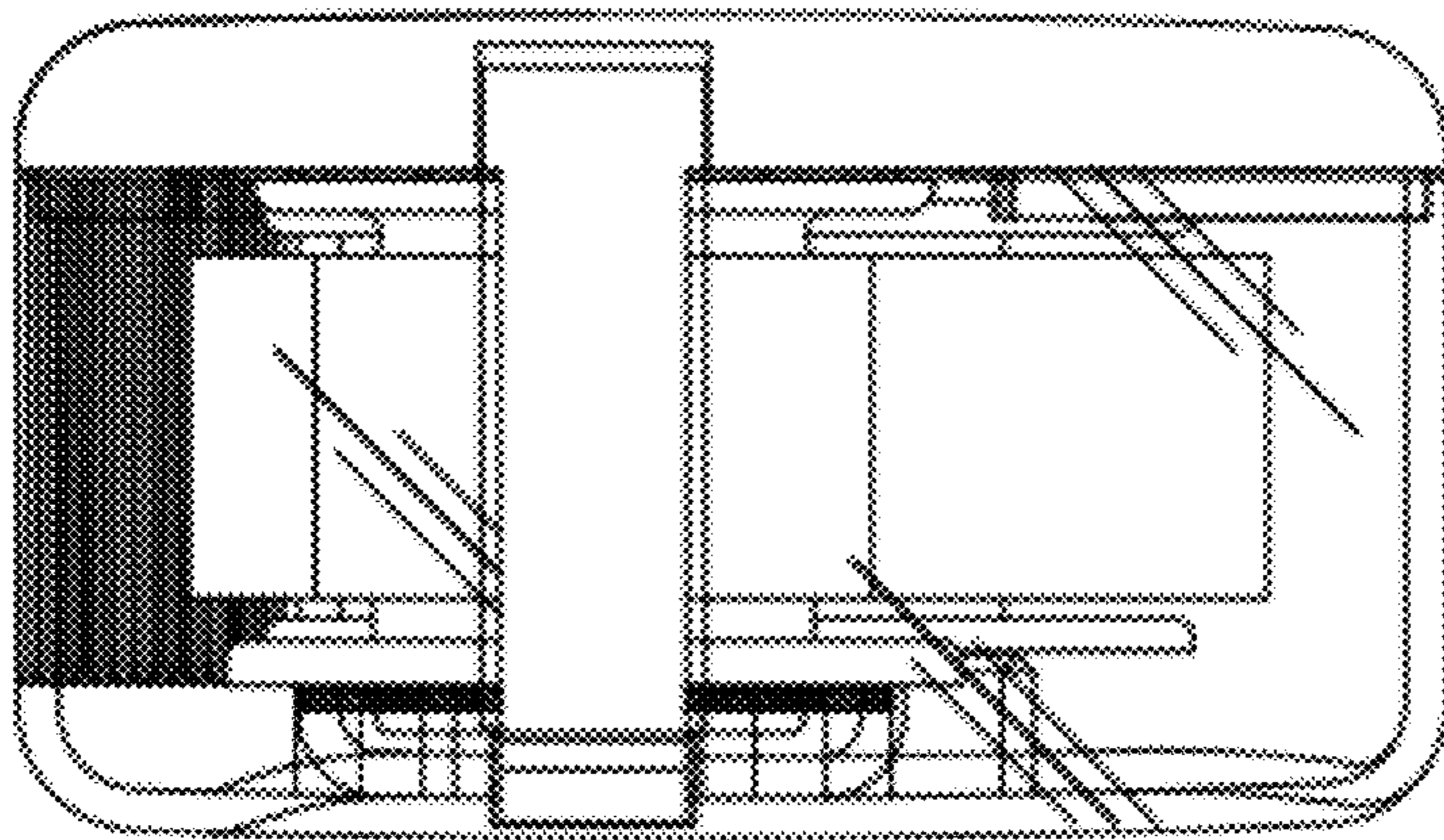


FIG. 5

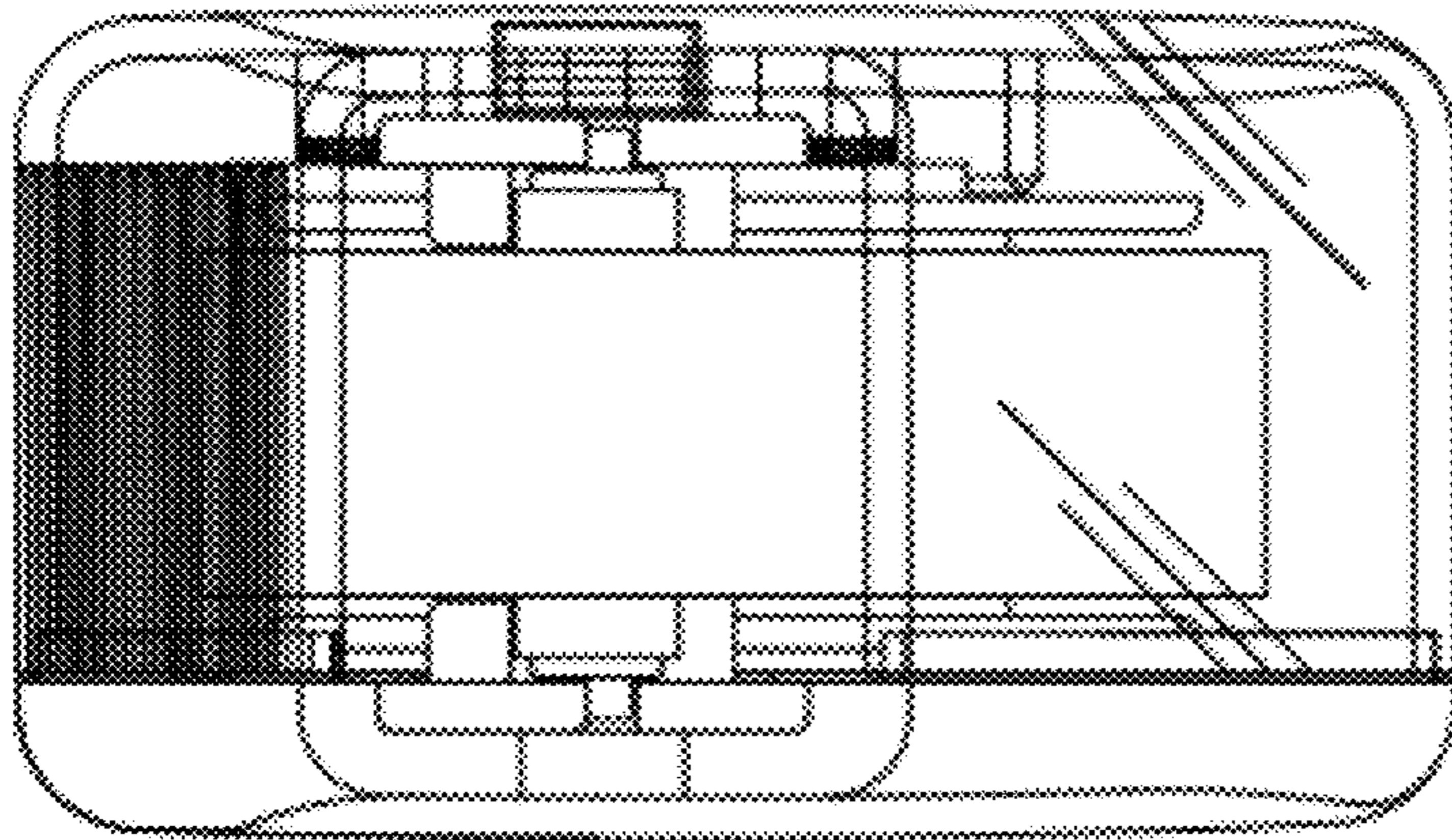


FIG. 6

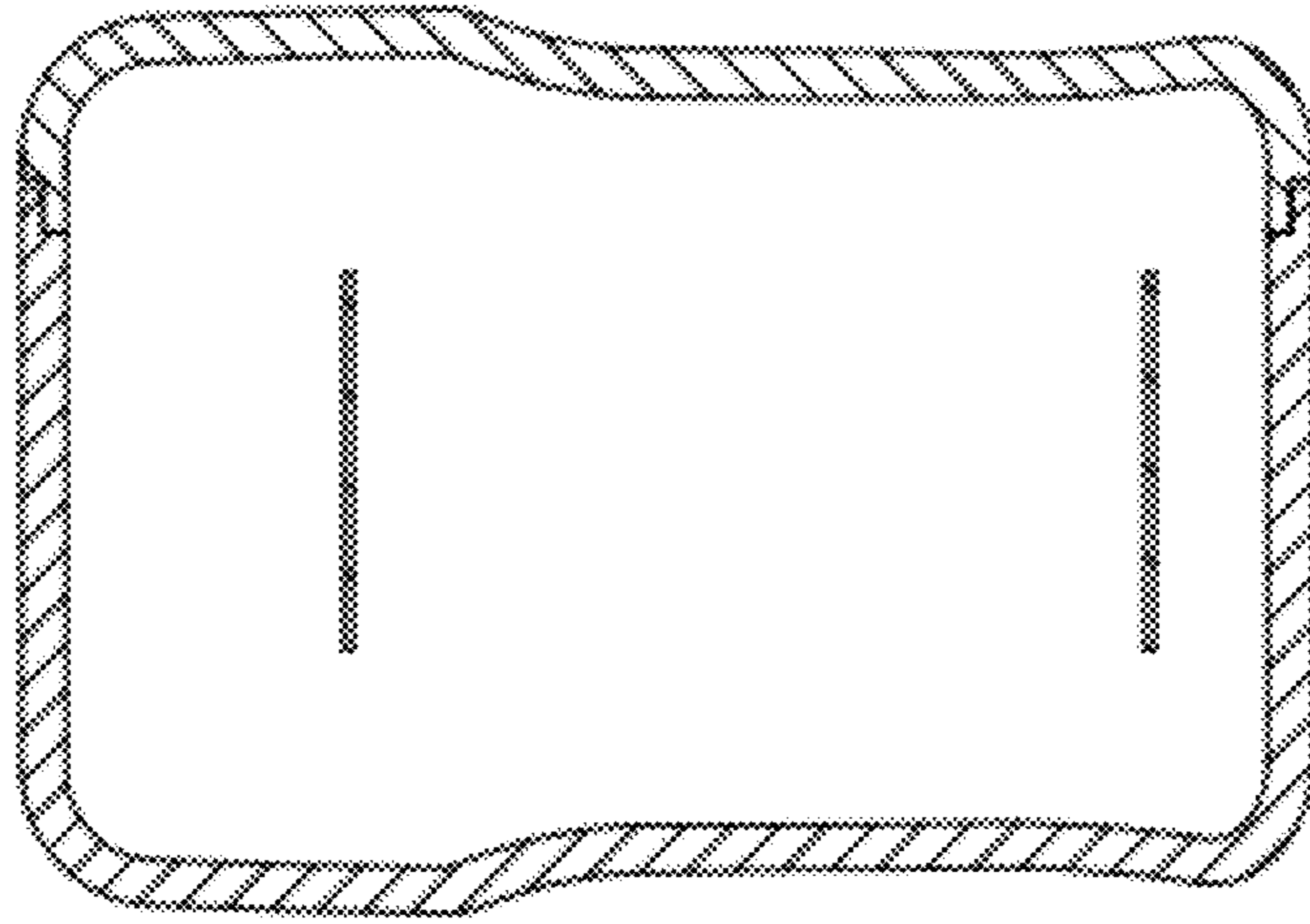


FIG. 7

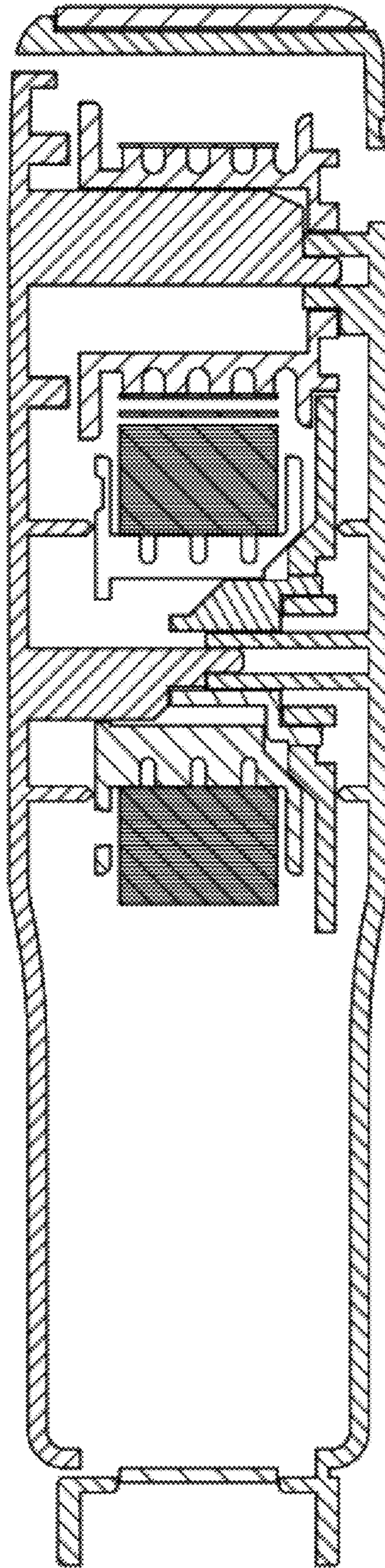


FIG.8