

US00D661737S

(12) **United States Design Patent**  
**Zhang**

(10) **Patent No.:** **US D661,737 S**  
(45) **Date of Patent:** **\*\* Jun. 12, 2012**

(54) **PEN**  
(75) Inventor: **Binhui Zhang**, Ningbo (CN)  
(73) Assignee: **Beifa Group Co., Ltd.**, Ningbo (CN)  
(\*\*) Term: **14 Years**  
(21) Appl. No.: **29/386,408**  
(22) Filed: **Feb. 28, 2011**

D563,470 S 3/2008 Qiu  
D569,429 S \* 5/2008 Anand ..... D19/49  
D596,230 S \* 7/2009 Tan ..... D19/43  
D648,384 S \* 11/2011 Hung ..... D19/36

**OTHER PUBLICATIONS**

Guo, Y., "Pen," U.S. Appl. No. 29/379,463, filed Nov. 19, 2010.  
Liang, W., "Pen," U.S. Appl. No. 29/389,630, filed Apr. 14, 2011.  
Tan, J., "Pen," U.S. Appl. No. 29/368,580, filed Aug. 25, 2010.  
Zhang, B., "Pen," U.S. Appl. No. 29/384,510, filed Jan. 31, 2011.  
Zhang, B., "Pen," U.S. Appl. No. 29/386,543, filed Mar. 2, 2011.

\* cited by examiner

(30) **Foreign Application Priority Data**  
Sep. 1, 2010 (CN) ..... 2010 3 0503987  
(51) **LOC (9) Cl.** ..... **19-06**  
(52) **U.S. Cl.** ..... **D19/49**  
(58) **Field of Classification Search** ..... D19/35,  
D19/36, 41-51, 54-58; 24/11 R, 11 F, 11 P;  
401/52, 99, 100-109, 192, 195, 196; D14/411  
See application file for complete search history.

*Primary Examiner* — Elizabeth Albert  
(74) *Attorney, Agent, or Firm* — Christensen O'Connor  
Johnson Kindness PLLC

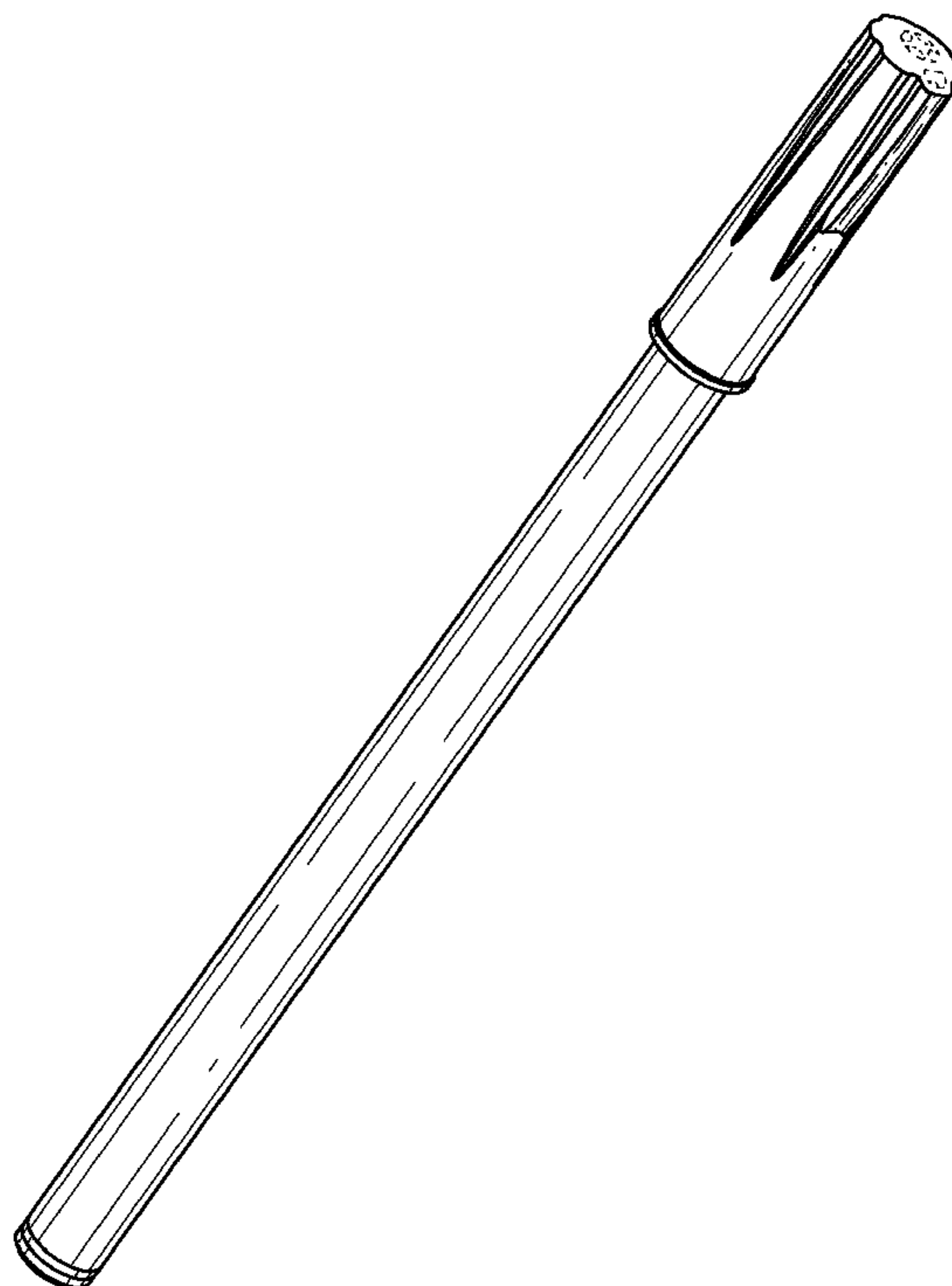
(57) **CLAIM**  
The ornamental design for a pen, as shown and described.

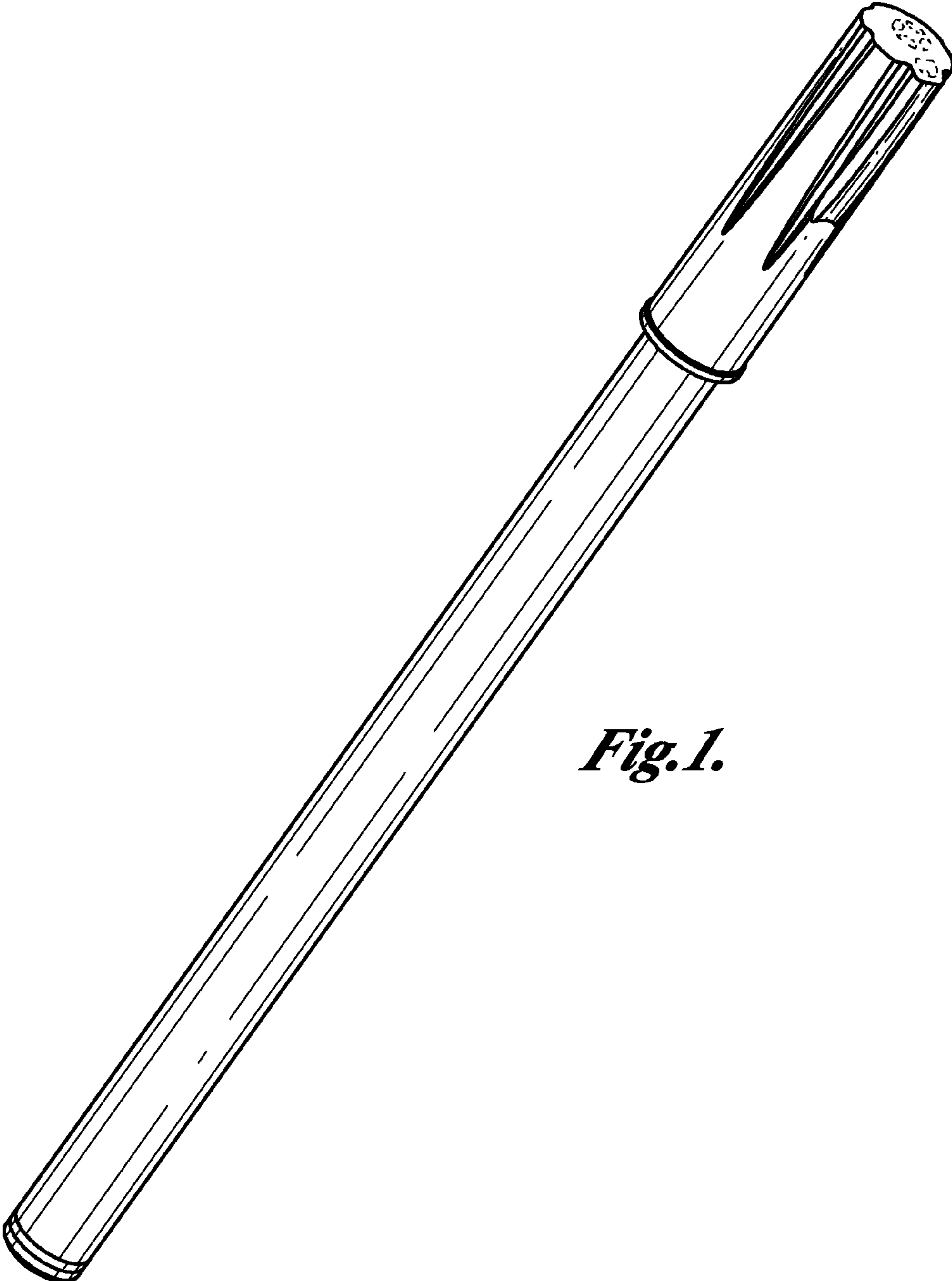
**DESCRIPTION**

FIG. 1 is an upper front left perspective view of a pen showing my new design;  
FIG. 2 is a left side elevation view thereof, with the right side elevation view being a mirror image of the left side elevation view;  
FIG. 3 is a front elevation view thereof;  
FIG. 4 is a rear elevation view thereof;  
FIG. 5 is an enlarged top plan view thereof; and,  
FIG. 6 is an enlarged bottom plan view thereof.  
The broken lines shown on the top of the pen in FIGS. 1, 3, and 5 illustrate environment and form no part of the claimed design.

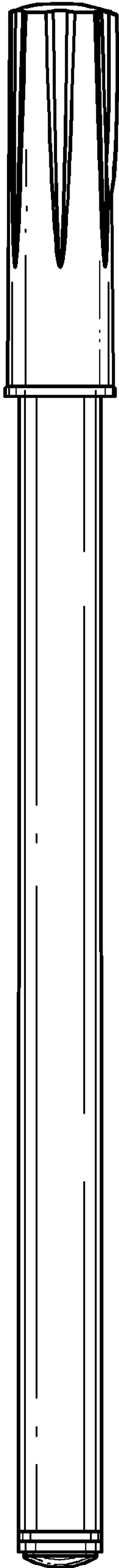
(56) **References Cited**  
**U.S. PATENT DOCUMENTS**  
D318,294 S 7/1991 Cho-Kai  
D356,306 S 3/1995 Ady  
D391,153 S \* 2/1998 Poisson et al. .... D19/48  
D471,234 S 3/2003 Okutani  
D501,030 S \* 1/2005 Lecce ..... D19/51  
D530,745 S \* 10/2006 Kent et al. .... D19/43  
D530,748 S \* 10/2006 Kent et al. .... D19/57  
D546,386 S \* 7/2007 Qiu ..... D19/43  
D546,387 S \* 7/2007 Qiu ..... D19/43  
D549,775 S \* 8/2007 Kent et al. .... D19/48

**1 Claim, 3 Drawing Sheets**

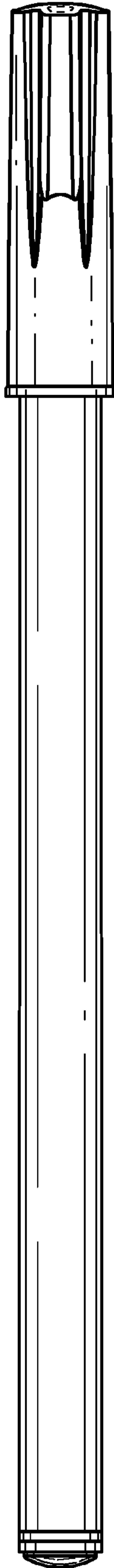




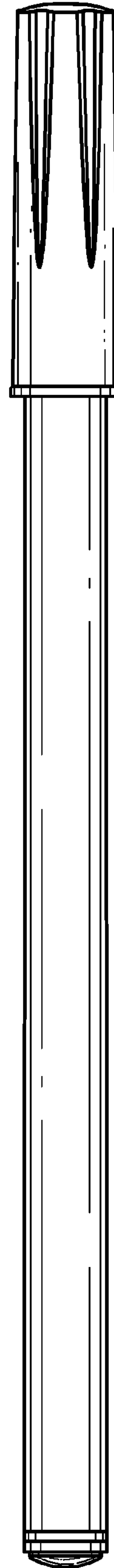
*Fig. 1.*



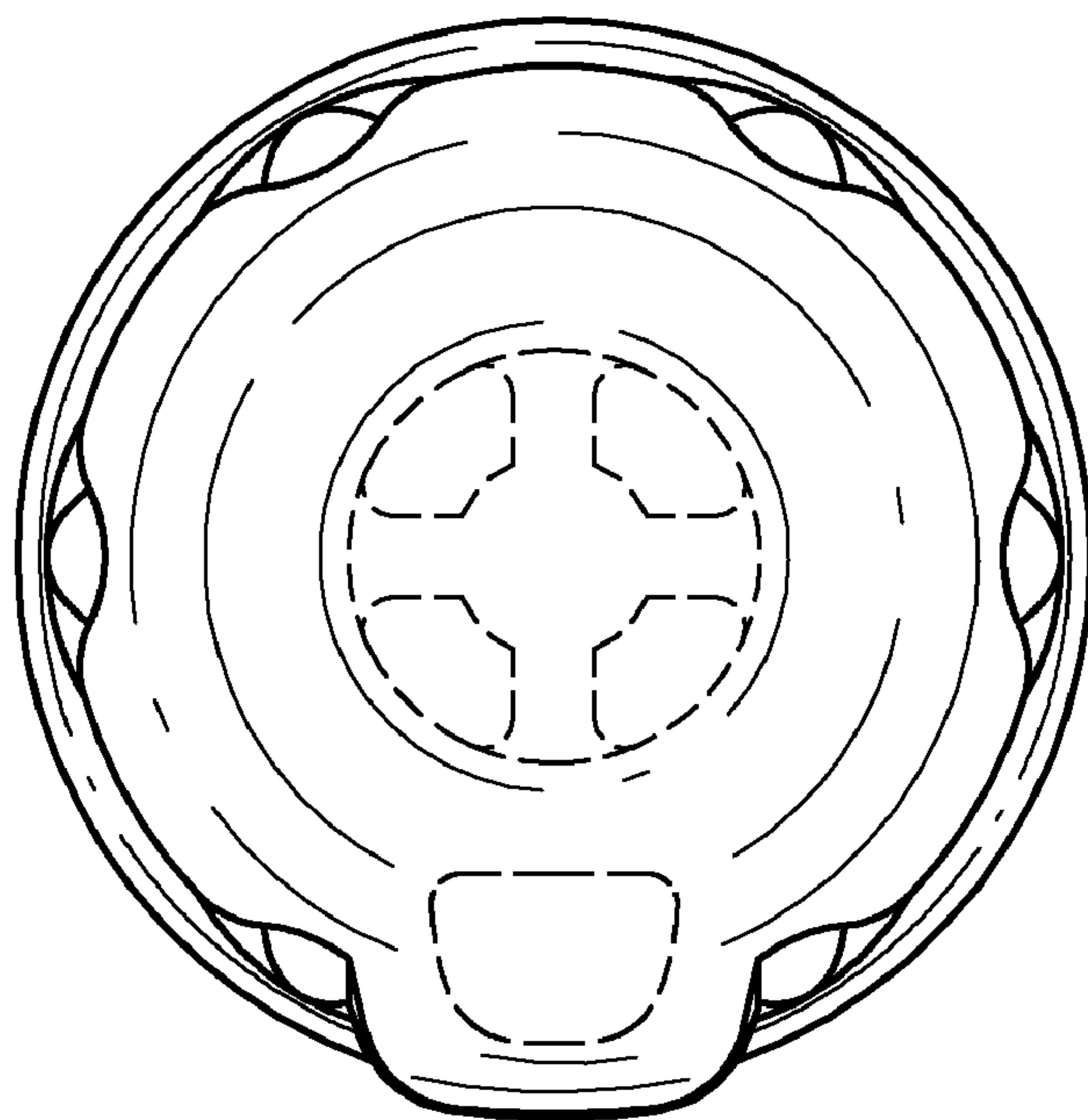
*Fig. 2.*



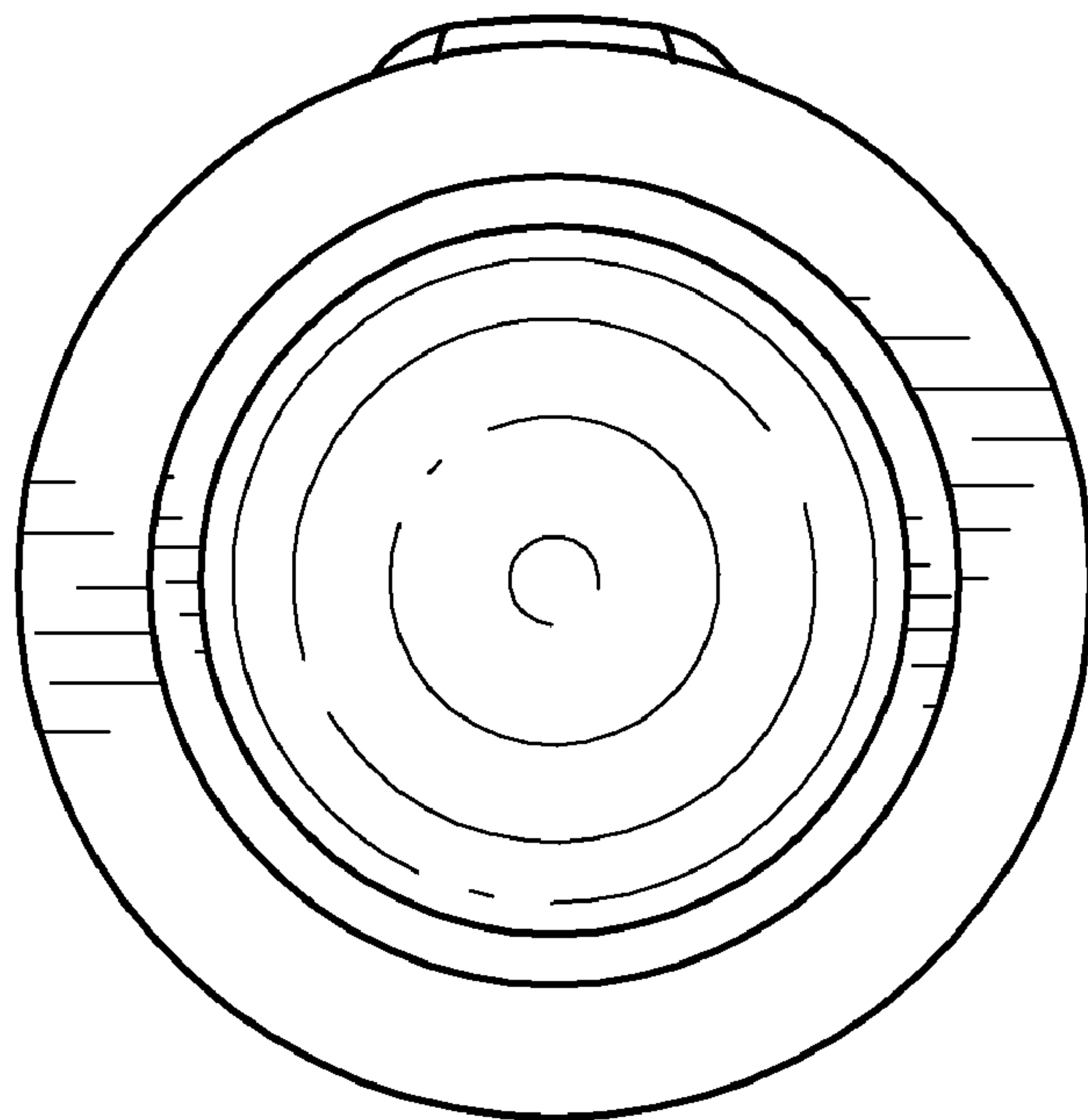
*Fig. 3.*



*Fig. 4.*



*Fig. 5.*



*Fig. 6.*