



US00D661735S

(12) **United States Design Patent**
Yeh

(10) **Patent No.:** **US D661,735 S**
(45) **Date of Patent:** **** Jun. 12, 2012**

- (54) **PEN**
- (76) Inventor: **Kun-Tsai Yeh**, Tainan (TW)
- (**) Term: **14 Years**
- (21) Appl. No.: **29/387,717**
- (22) Filed: **Mar. 17, 2011**
- (51) **LOC (9) Cl.** **19-06**
- (52) **U.S. Cl.** **D19/41**
- (58) **Field of Classification Search** D19/35,
D19/36, 41-51, 54-58; 24/11 R, 11 F, 11 P;
401/52, 99, 100-109, 192, 195, 196; D14/411
See application file for complete search history.

- D579,495 S * 10/2008 Yoon D19/44
 - D590,017 S * 4/2009 Weaver et al. D19/43
 - 7,726,894 B2 * 6/2010 Yoon 401/116
 - D634,783 S * 3/2011 Papenfuss D19/51
 - D646,279 S * 10/2011 Shih et al. D14/411
- * cited by examiner

Primary Examiner — Elizabeth Albert
(74) *Attorney, Agent, or Firm* — Alan Kamrath; Kamrath IP Lawfirm, PA

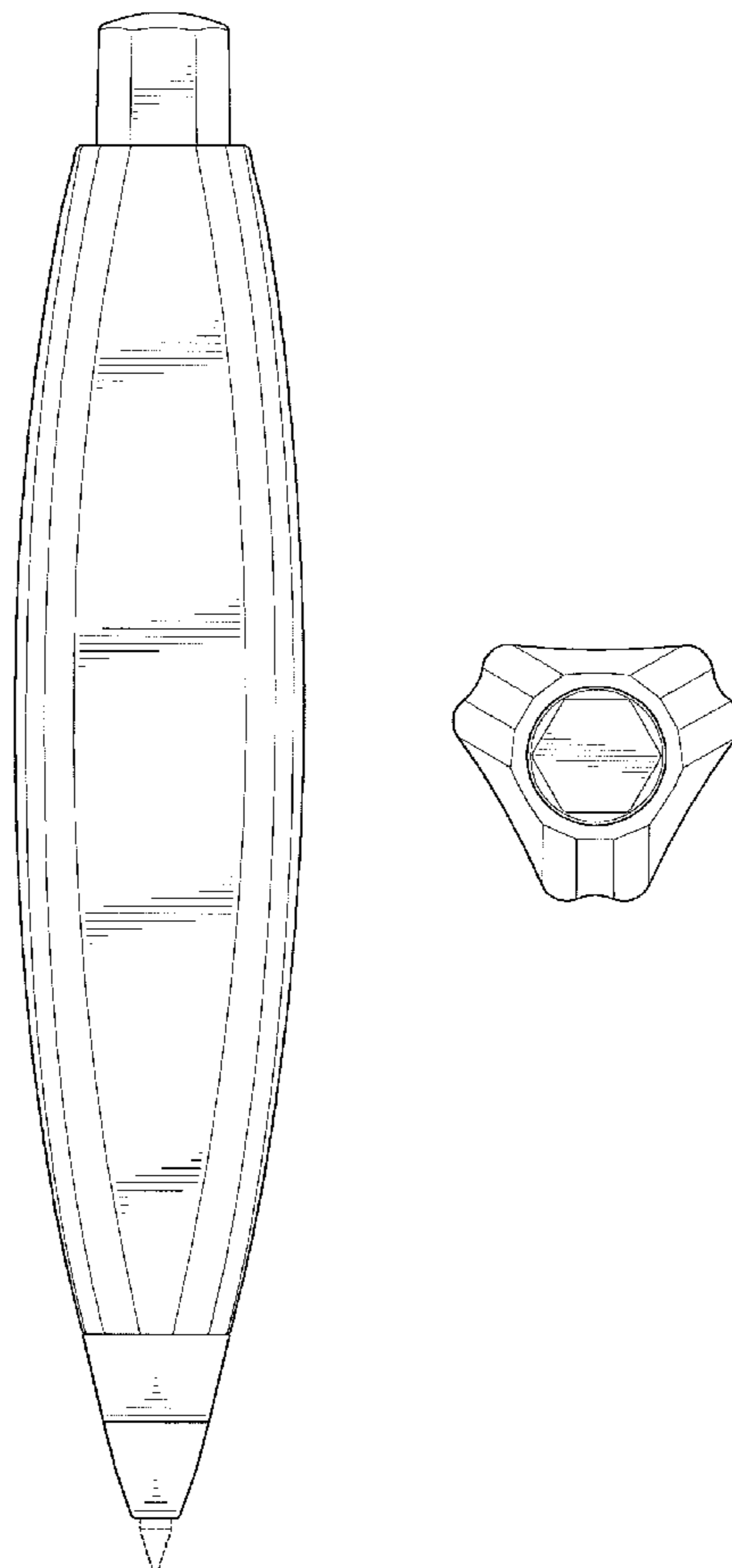
(57) **CLAIM**
The ornamental design for a pen, as shown and described.

DESCRIPTION

FIG. 1 is a perspective view of a pen, showing my new design;
FIG. 2 is a front view thereof;
FIG. 3 is a rear view thereof;
FIG. 4 is a left side view thereof;
FIG. 5 is a right side view thereof;
FIG. 6 is a top view thereof; and,
FIG. 7 is a bottom view thereof.
The broken lines on the drawings are shown for illustrative purposes only and form no part of the claimed design.

1 Claim, 6 Drawing Sheets

- (56) **References Cited**
- U.S. PATENT DOCUMENTS
- D166,161 S * 3/1952 Hanle D19/48
- D223,688 S * 5/1972 Schnur et al. D19/49
- D342,279 S * 12/1993 Anavil et al. D19/49
- D354,985 S * 1/1995 Hong D19/50
- D541,858 S * 5/2007 Yeh D19/44
- D547,800 S * 7/2007 Gallay et al. D19/41
- D566,360 S * 4/2008 Ungaro D32/35



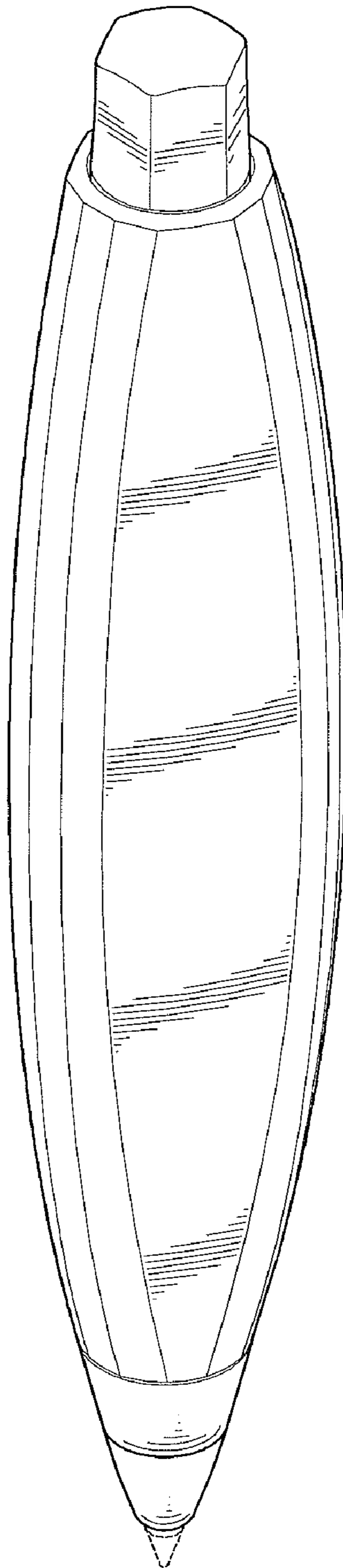


FIG. 1

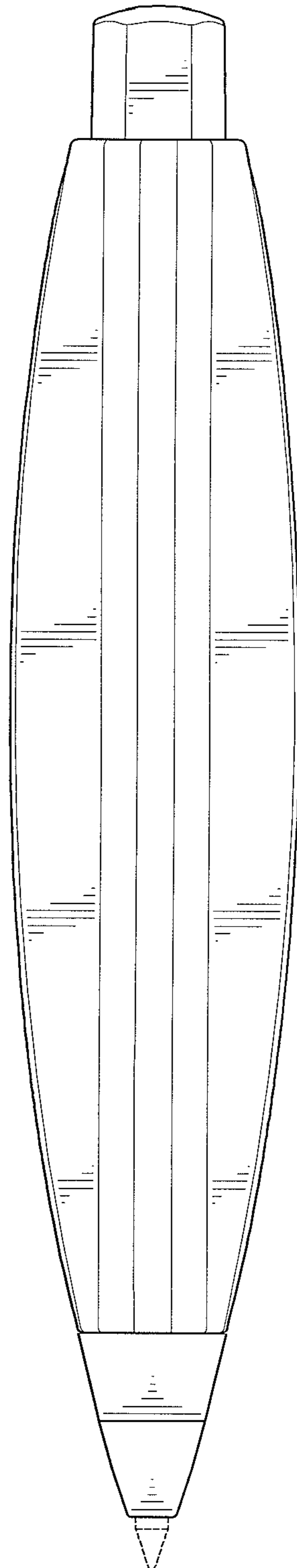


FIG.2

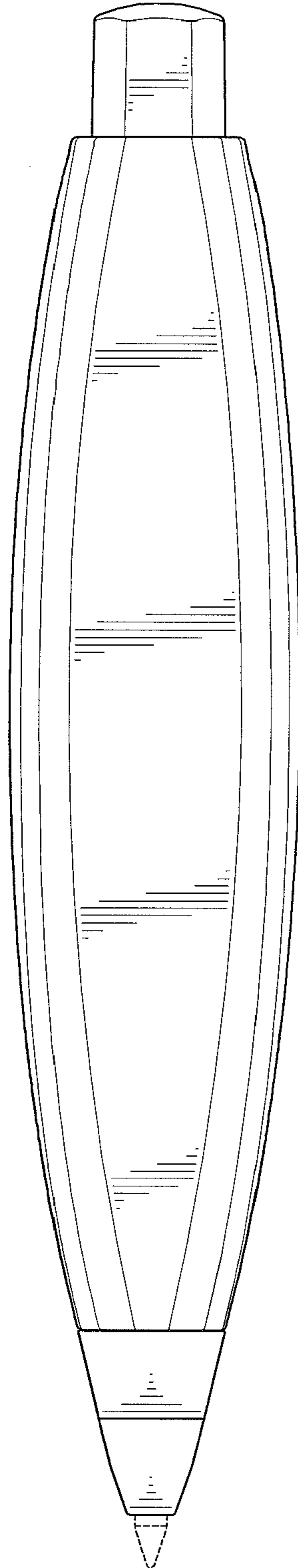


FIG.3

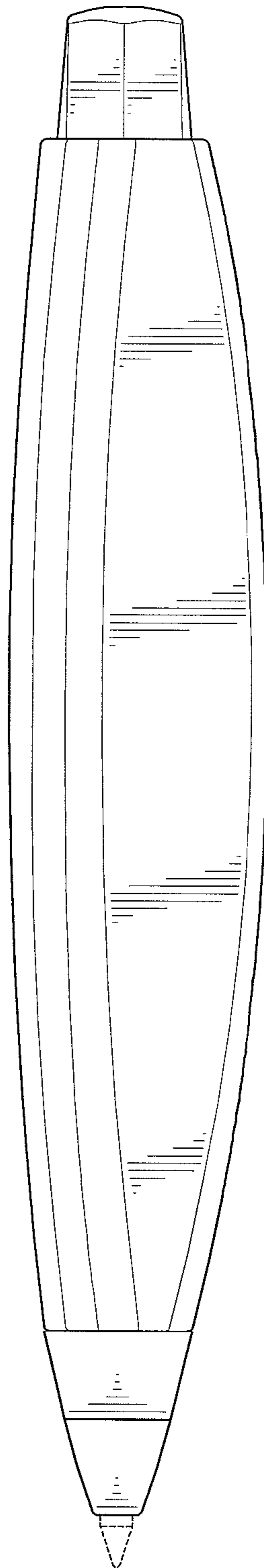


FIG.4

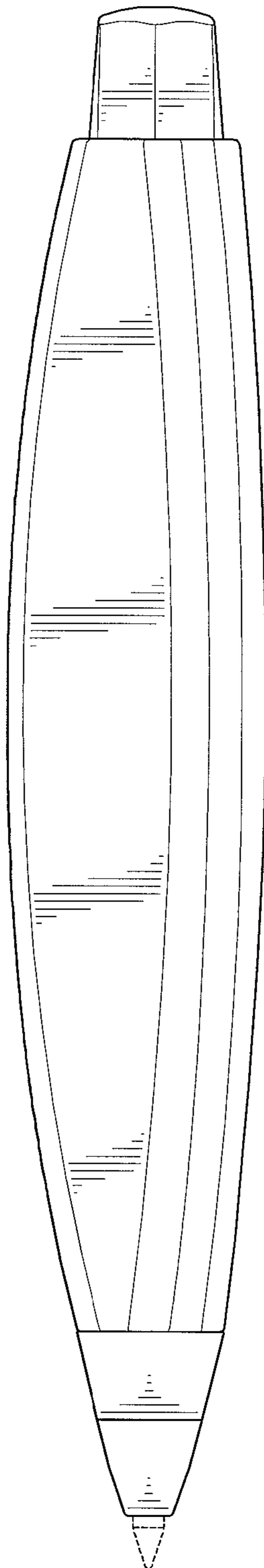


FIG.5

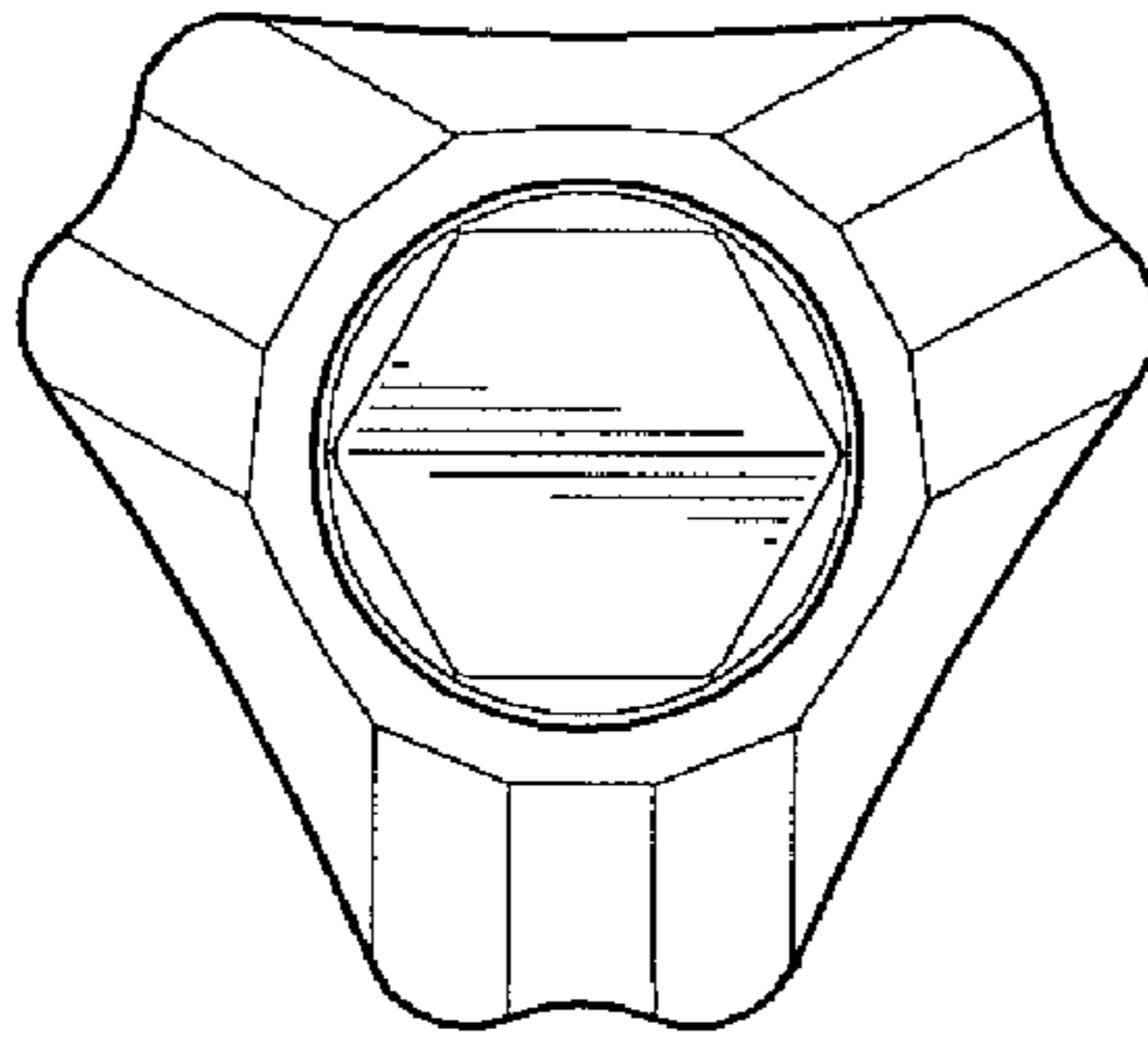


FIG. 6

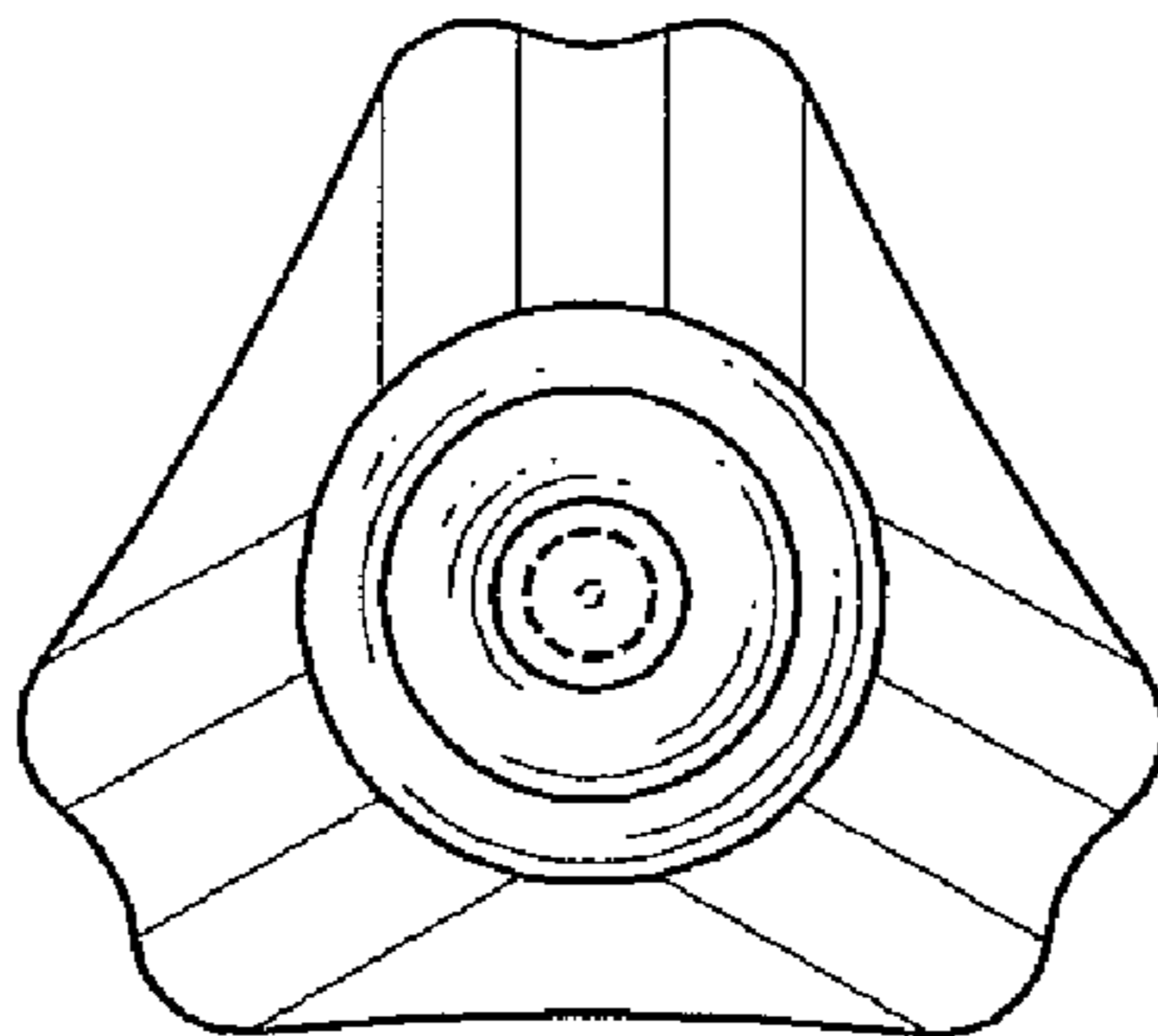


FIG. 7