

US00D661734S

(12) **United States Design Patent**
Johnson

(10) **Patent No.:** **US D661,734 S**
(45) **Date of Patent:** **** Jun. 12, 2012**

(54) **COMBINATION PEN AND PEN LIGHT**

(75) Inventor: **Dianne Johnson**, Bristow, VA (US)

(73) Assignee: **Johnson MedLegal Inc.**, Bristow, VA (US)

(**) Term: **14 Years**

(21) Appl. No.: **29/386,935**

(22) Filed: **Mar. 7, 2011**

(51) **LOC (9) Cl.** **19-06**

(52) **U.S. Cl.** **D19/36**

(58) **Field of Classification Search** D19/35,
D19/36, 41-51, 54-58; D26/37, 38; 24/11 F,
24/11 P, 11 R; 401/52, 99, 100, 101-109,
401/192, 195, 196

See application file for complete search history.

(56) **References Cited**

U.S. PATENT DOCUMENTS

2,607,883	A	*	8/1952	Berkowitz	362/118
D408,854	S	*	4/1999	Katami	D19/51
D421,141	S	*	2/2000	Lo	D26/38
D483,784	S	*	12/2003	Ting	D16/208
D485,925	S	*	1/2004	Oas	D26/38

D507,839	S	*	7/2005	Man	D26/37
D588,195	S	*	3/2009	Booker	D19/51
D589,088	S	*	3/2009	Li	D19/50
D609,742	S	*	2/2010	Lee	D19/36
D628,629	S	*	12/2010	Liu	D19/36
2006/0029460	A1	*	2/2006	Russo	401/247

* cited by examiner

Primary Examiner — Elizabeth Albert

(74) *Attorney, Agent, or Firm* — Jefferson IP Law, LLP;
Raymond B. Persino

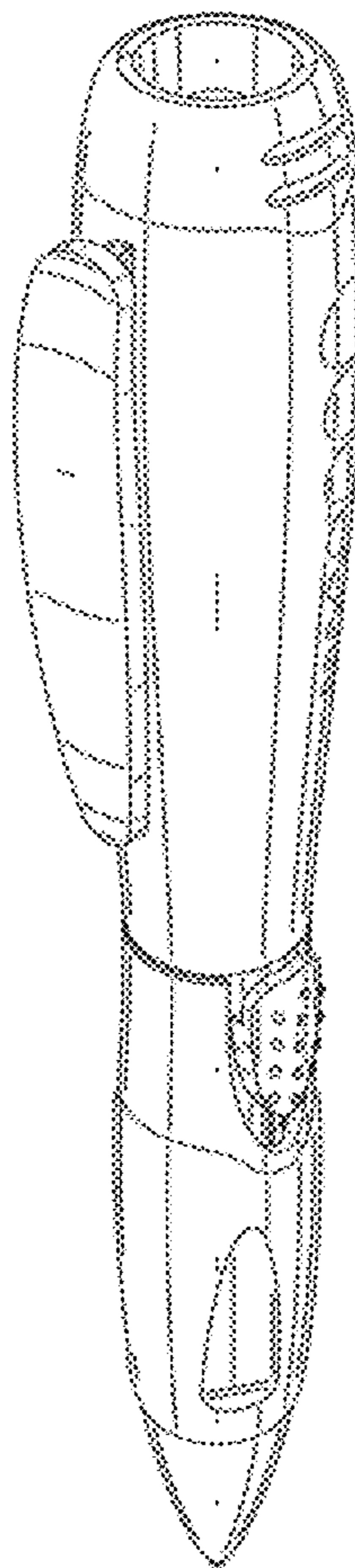
(57) **CLAIM**

The ornamental design for a combination pen and pen light, as shown and described.

DESCRIPTION

FIG. 1 is a perspective view of a combination pen and pen light, showing a new design;
FIG. 2 is a front elevational view thereof;
FIG. 3 is a rear elevational view thereof;
FIG. 4 is a left side elevational view thereof;
FIG. 5 is a right side elevational view thereof;
FIG. 6 is a top plan view thereof; and,
FIG. 7 is a bottom plan view thereof.

1 Claim, 4 Drawing Sheets



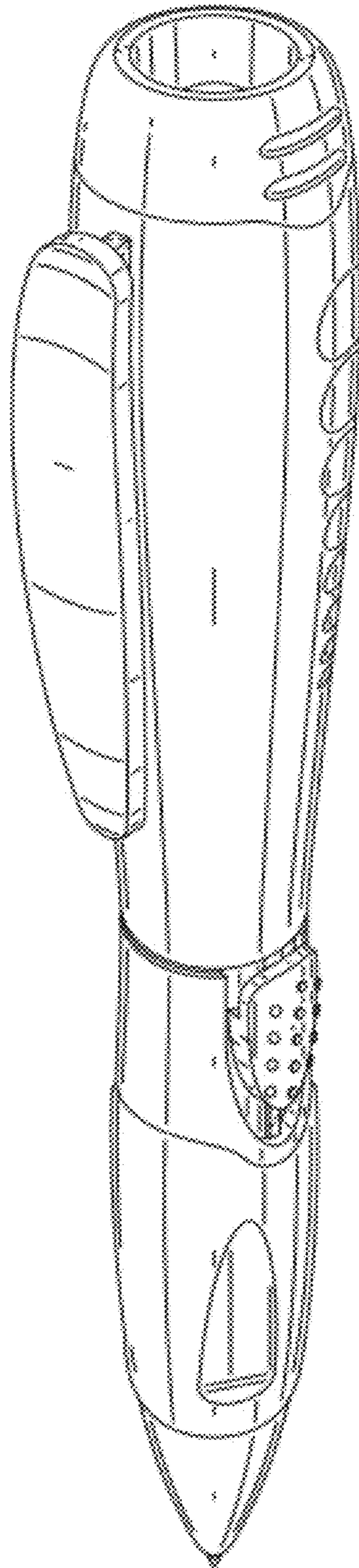


FIG. 1

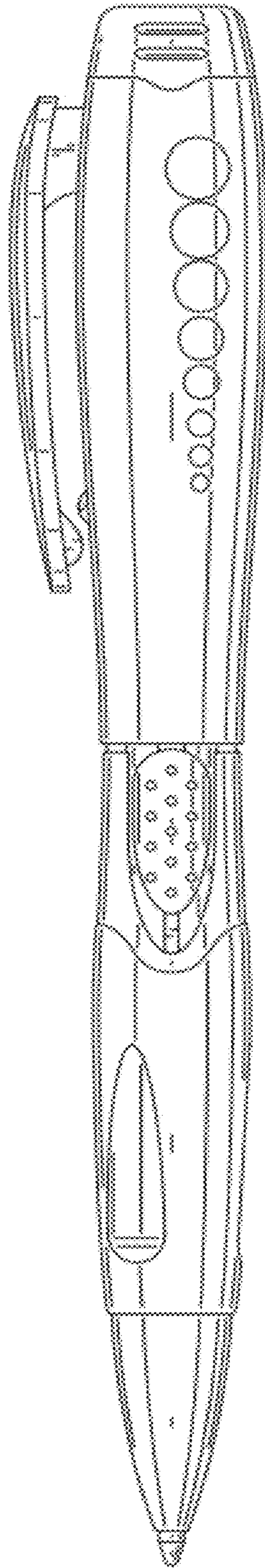


FIG. 2

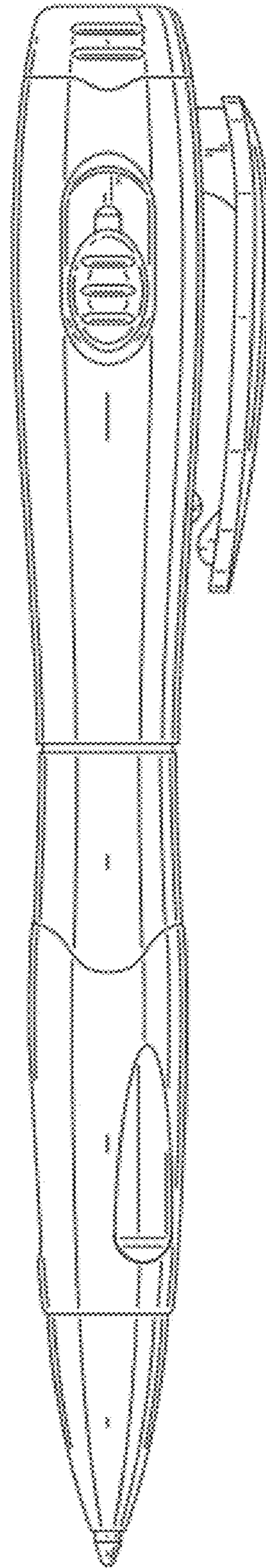


FIG. 3

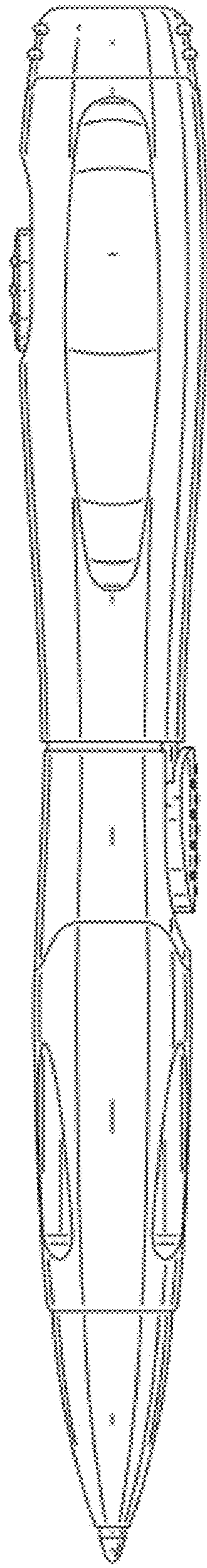


FIG. 4

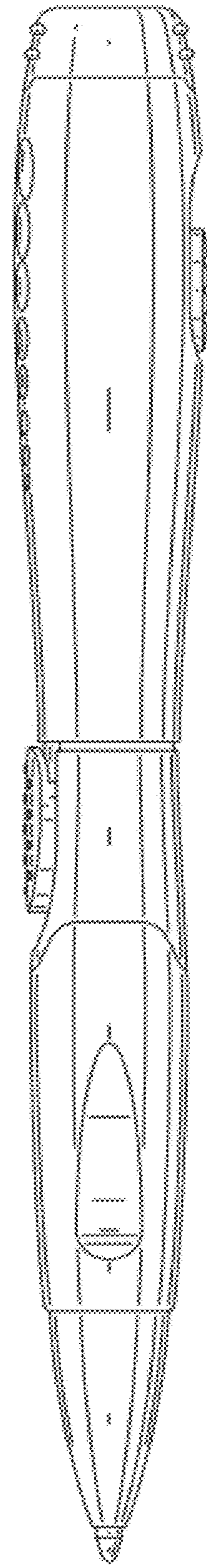


FIG. 5

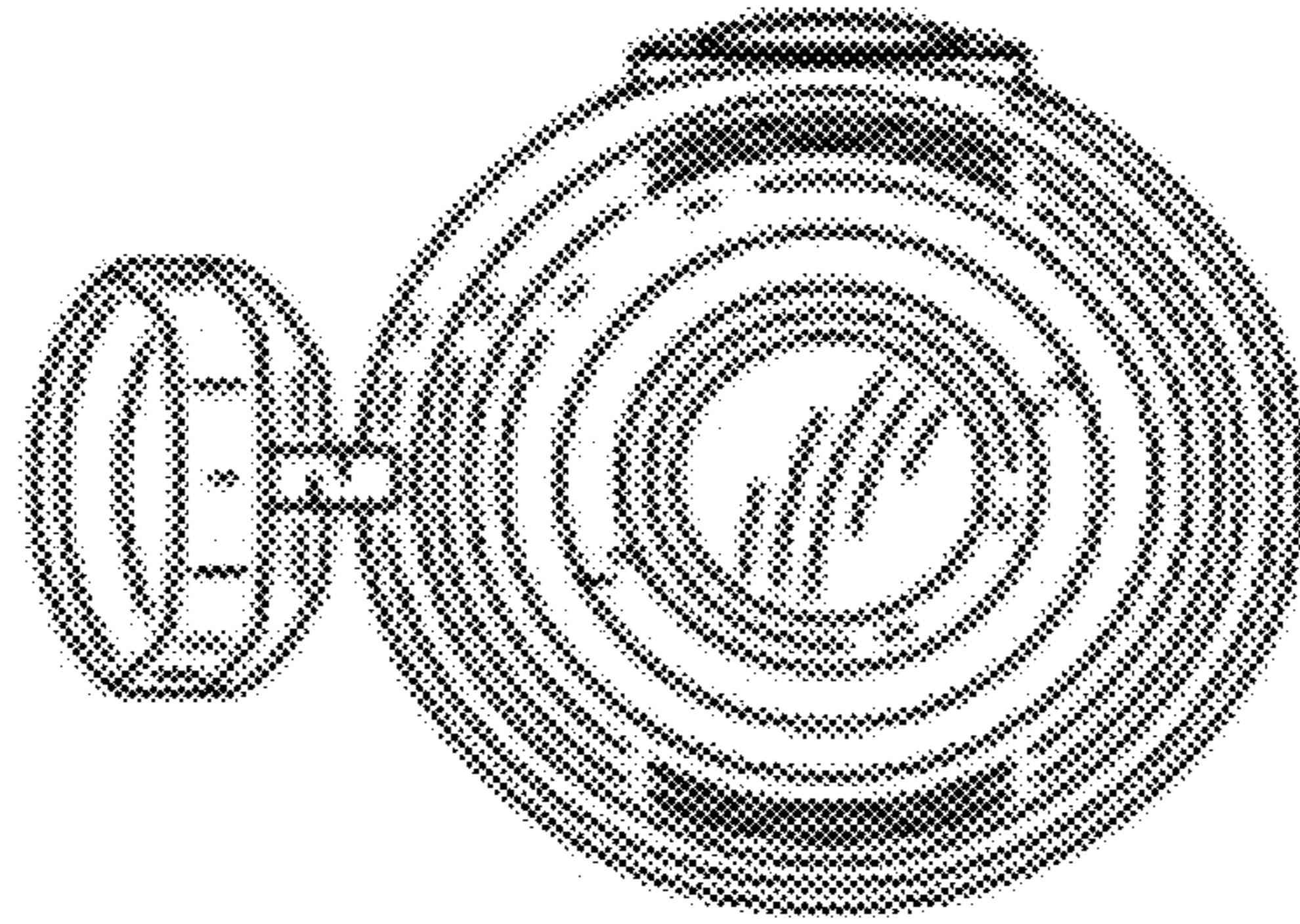


FIG. 6

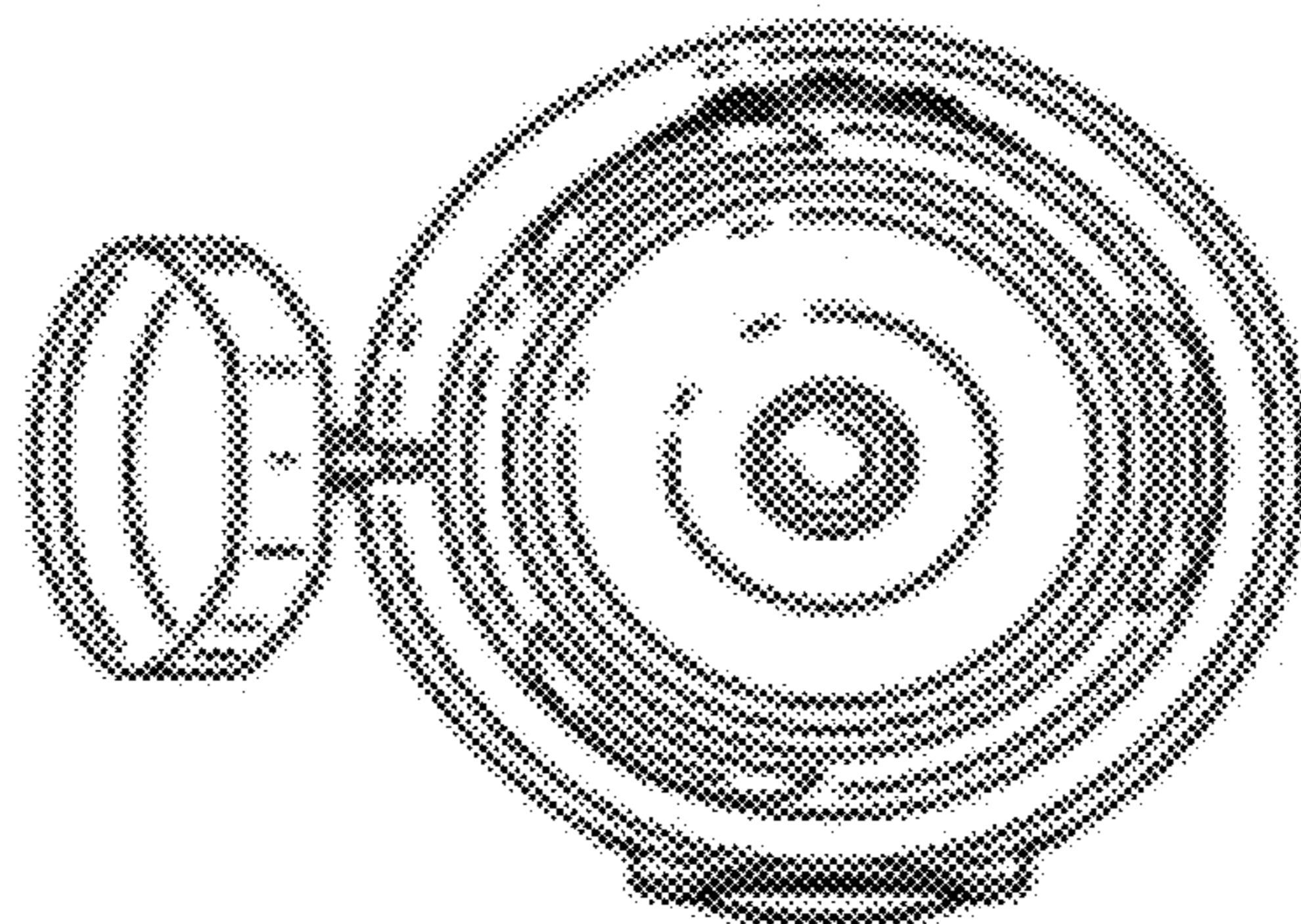


FIG. 7