



US00D661732S

(12) **United States Design Patent**
Clegg et al.

(10) **Patent No.:** **US D661,732 S**
(45) **Date of Patent:** **** Jun. 12, 2012**

(54) **VIDEO TRADING CARD**

(75) Inventors: **Timothy P. Clegg**, Manhattan Beach, CA (US); **Michael D. Ronk**, Lawndale, CA (US)

(73) Assignee: **Americhip, Inc.**, Los Angeles, CA (US)

(**) Term: **14 Years**

(21) Appl. No.: **29/413,405**

(22) Filed: **Feb. 15, 2012**

Related U.S. Application Data

(60) Division of application No. 29/388,716, filed on Mar. 31, 2011, now Pat. No. Des. 655,750, which is a continuation-in-part of application No. 29/385,684, filed on Feb. 17, 2011, now Pat. No. Des. 647,559, which is a continuation-in-part of application No. 29/368,489, filed on Aug. 24, 2010, now Pat. No. Des. 642,611, which is a continuation-in-part of application No. 29/363,757, filed on Jun. 14, 2010, now Pat. No. Des. 629,458, which is a continuation-in-part of application No. 12/413,343, filed on Mar. 27, 2009, now Pat. No. 8,011,122, which is a continuation-in-part of application No. 12/263,277, filed on Oct. 31, 2008, now abandoned, which is a continuation-in-part of application No. 12/199,740, filed on Aug. 27, 2008, now abandoned.

(51) **LOC (9) Cl.** **19-01**

(52) **U.S. Cl.** **D19/1**

(58) **Field of Classification Search** D19/1-10, D19/20-34, 86; 40/124.01-124.15, 672, 40/661, 726, 427, 445-457, 463; 283/72, 283/74-75, 63.1; 206/449, 308.3, 472; D21/385; 229/92, 92.1, 300; 462/64-66, 17, 55; 345/87, 345/904; 434/317, 169, 362, 185, 308, 368; 281/3.1, 15.1, 19.1, 21.1, 29, 38; D14/371, D14/374, 435

See application file for complete search history.

(56) **References Cited**

U.S. PATENT DOCUMENTS

D629,459 S * 12/2010 Clegg et al. D19/1
D642,611 S * 8/2011 Clegg et al. D19/1

D647,559 S * 10/2011 Clegg et al. D19/1
D649,589 S * 11/2011 Clegg et al. D19/1

* cited by examiner

Primary Examiner — Caron D Veynar

Assistant Examiner — Abraham Bahta

(74) *Attorney, Agent, or Firm* — Jeffer Mangels Butler & Mitchell LLP

(57) **CLAIM**

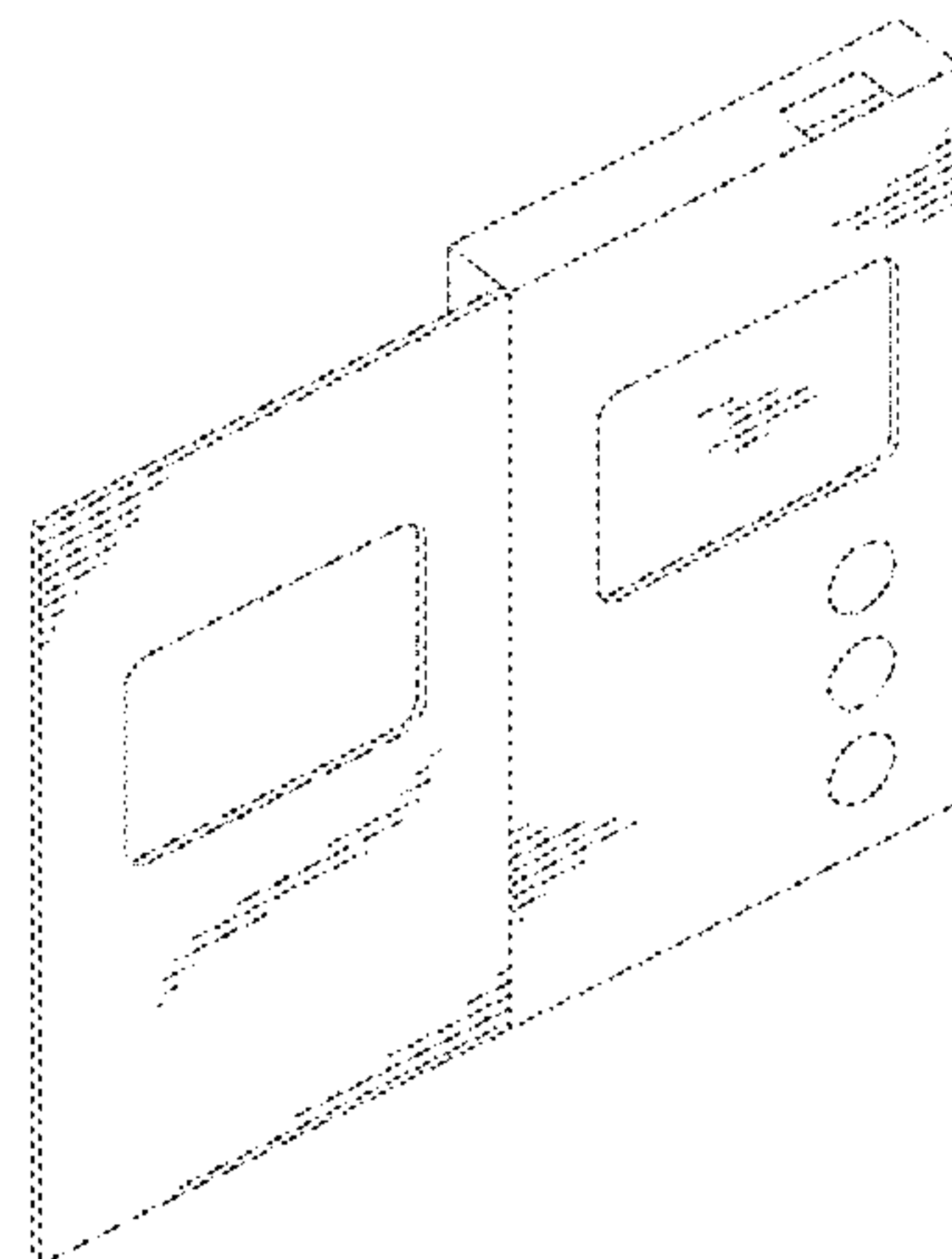
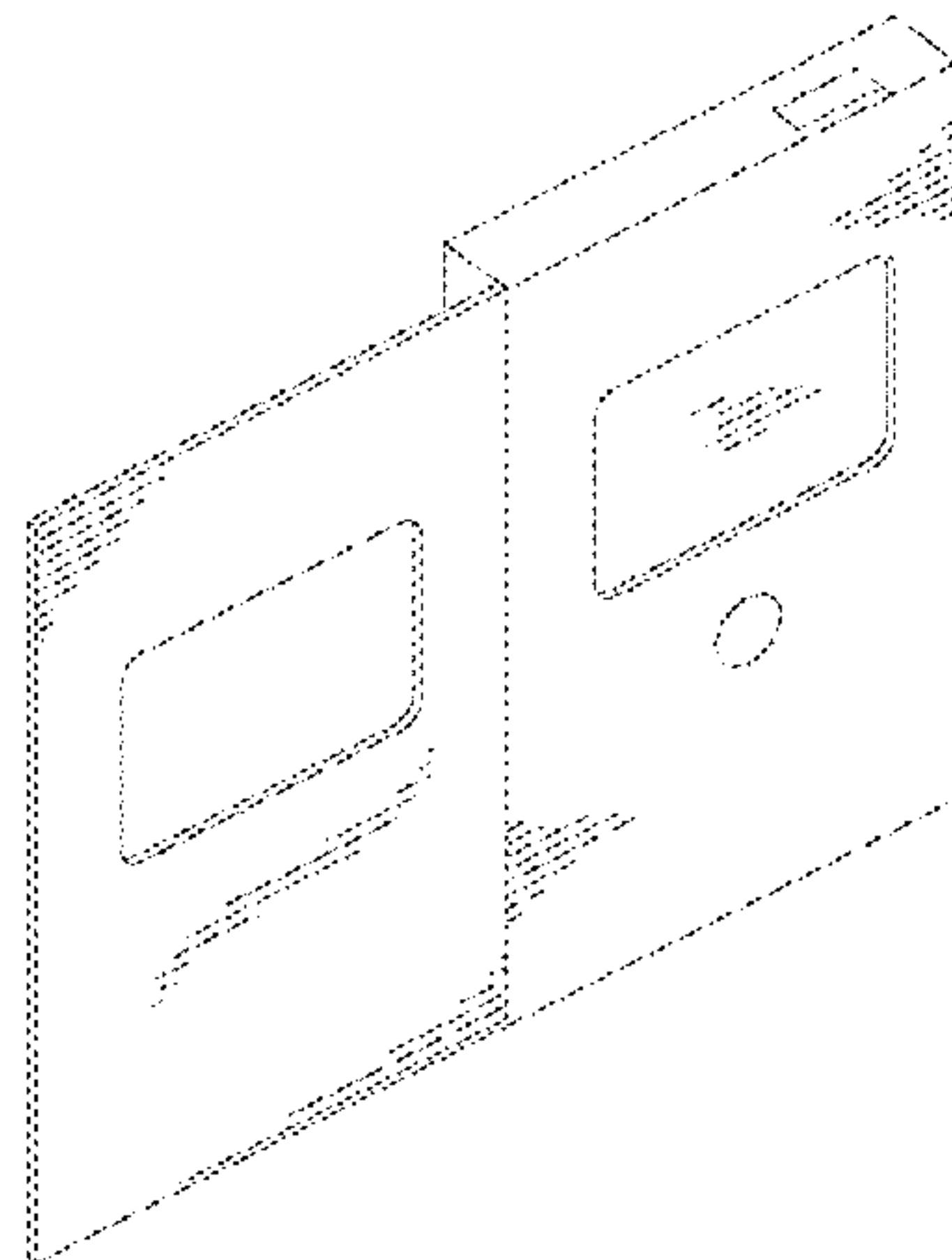
The ornamental design for a video trading card, as shown and described.

DESCRIPTION

FIG. 1 is a perspective view of a first embodiment of the video trading card showing our new design; FIG. 2 is a front elevational view thereof; FIG. 3 is a right side elevational view thereof; FIG. 4 is a left side elevational view thereof; FIG. 5 is a rear elevational view thereof; FIG. 6 is a top plan view thereof; FIG. 7 is a bottom plan view thereof; FIG. 8 is a perspective view of a second embodiment of the video trading card; FIG. 9 is a front elevational view thereof; FIG. 10 is a right side elevational view thereof; FIG. 11 is a left side elevational view thereof; FIG. 12 is a rear elevational view thereof; FIG. 13 is a top plan view thereof; FIG. 14 is a bottom plan view thereof; FIG. 15 is a perspective view of a third embodiment of the video trading card; FIG. 16 is a front elevational view thereof; FIG. 17 is a right side elevational view thereof; FIG. 18 is a left side elevational view thereof; FIG. 19 is a rear elevational view thereof; FIG. 20 is a top plan view thereof; FIG. 21 is a bottom plan view thereof; FIG. 22 is a perspective view of a fourth embodiment of the video trading card; FIG. 23 is a front elevational view thereof; FIG. 24 is a right side elevational view thereof; FIG. 25 is a left side elevational view thereof; FIG. 26 is a rear elevational view thereof; FIG. 27 is a top plan view thereof; and, FIG. 28 is a bottom plan view thereof.

The shading shown in the drawings are for illustrative purposes only and form no part of the claimed design.

1 Claim, 20 Drawing Sheets



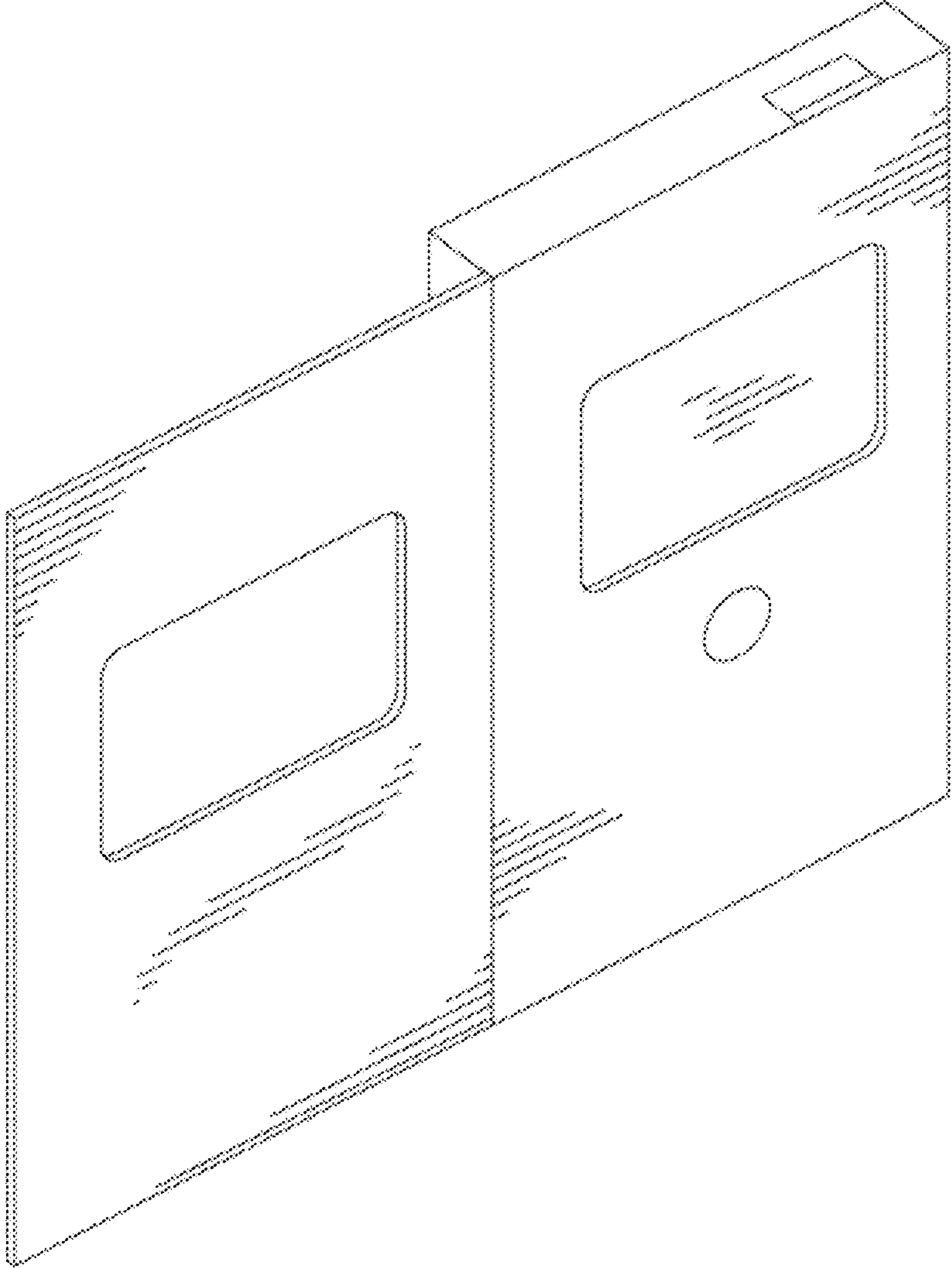


Fig 1

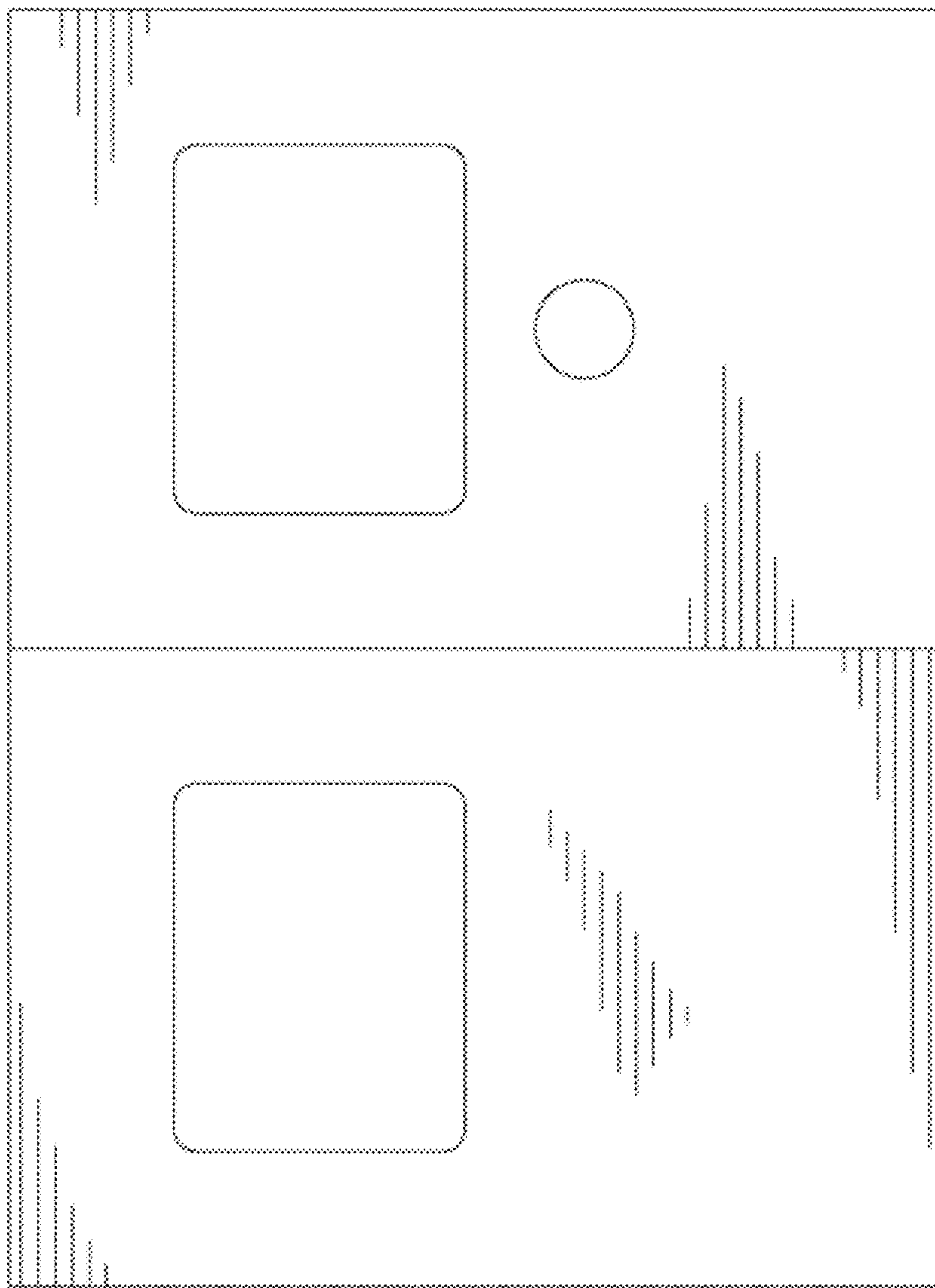


Fig 2

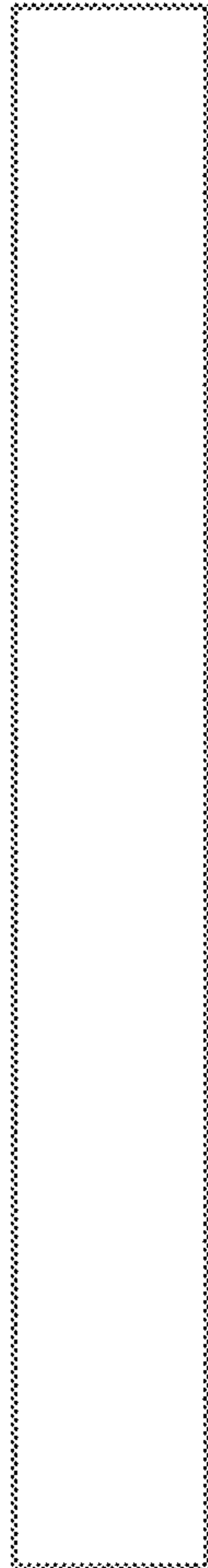


Fig 3

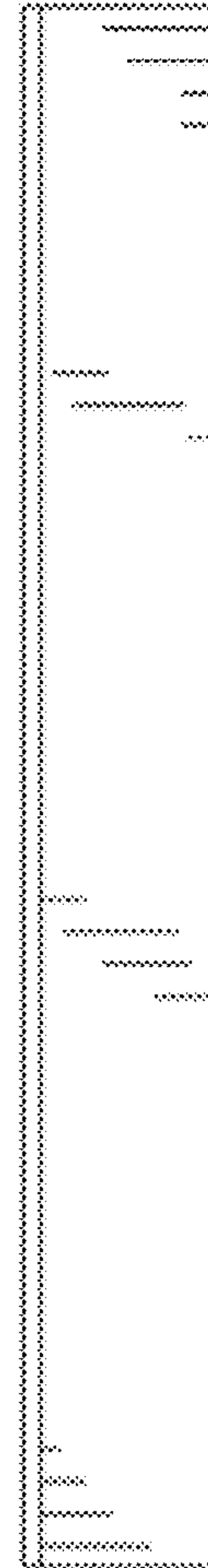


Fig 4

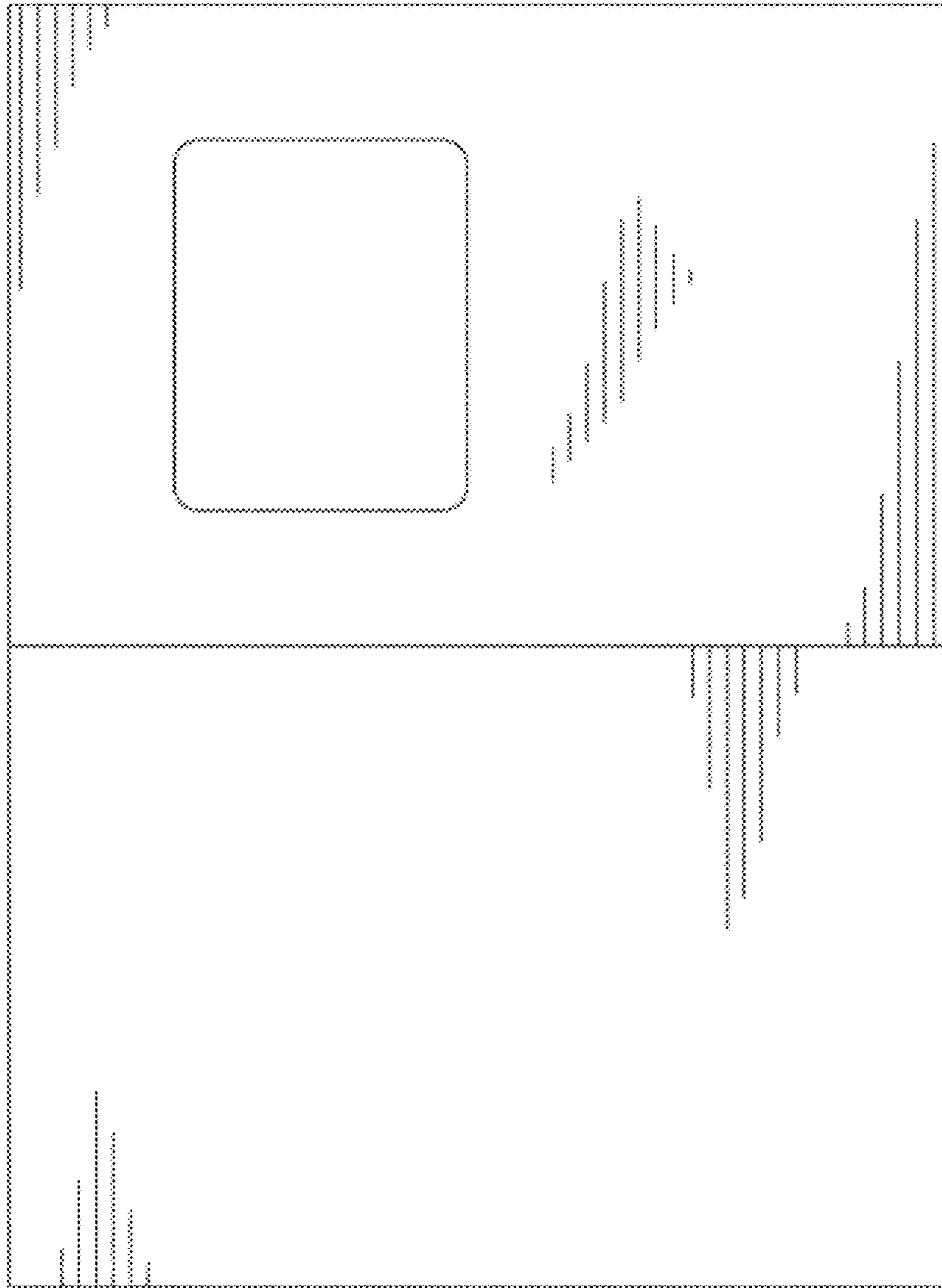


FIG 6

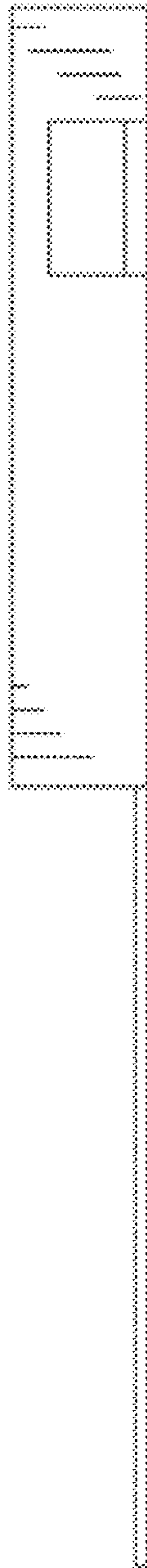


Fig 6

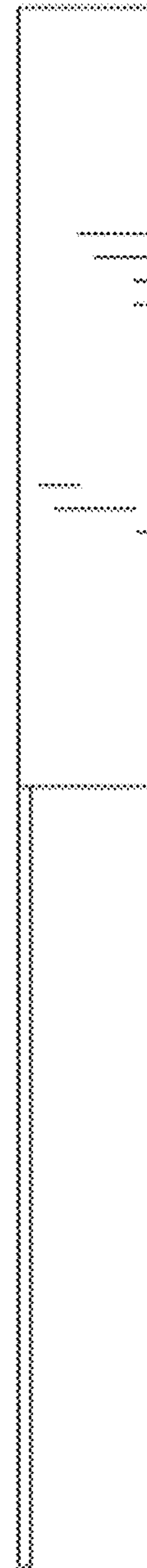


Fig 7

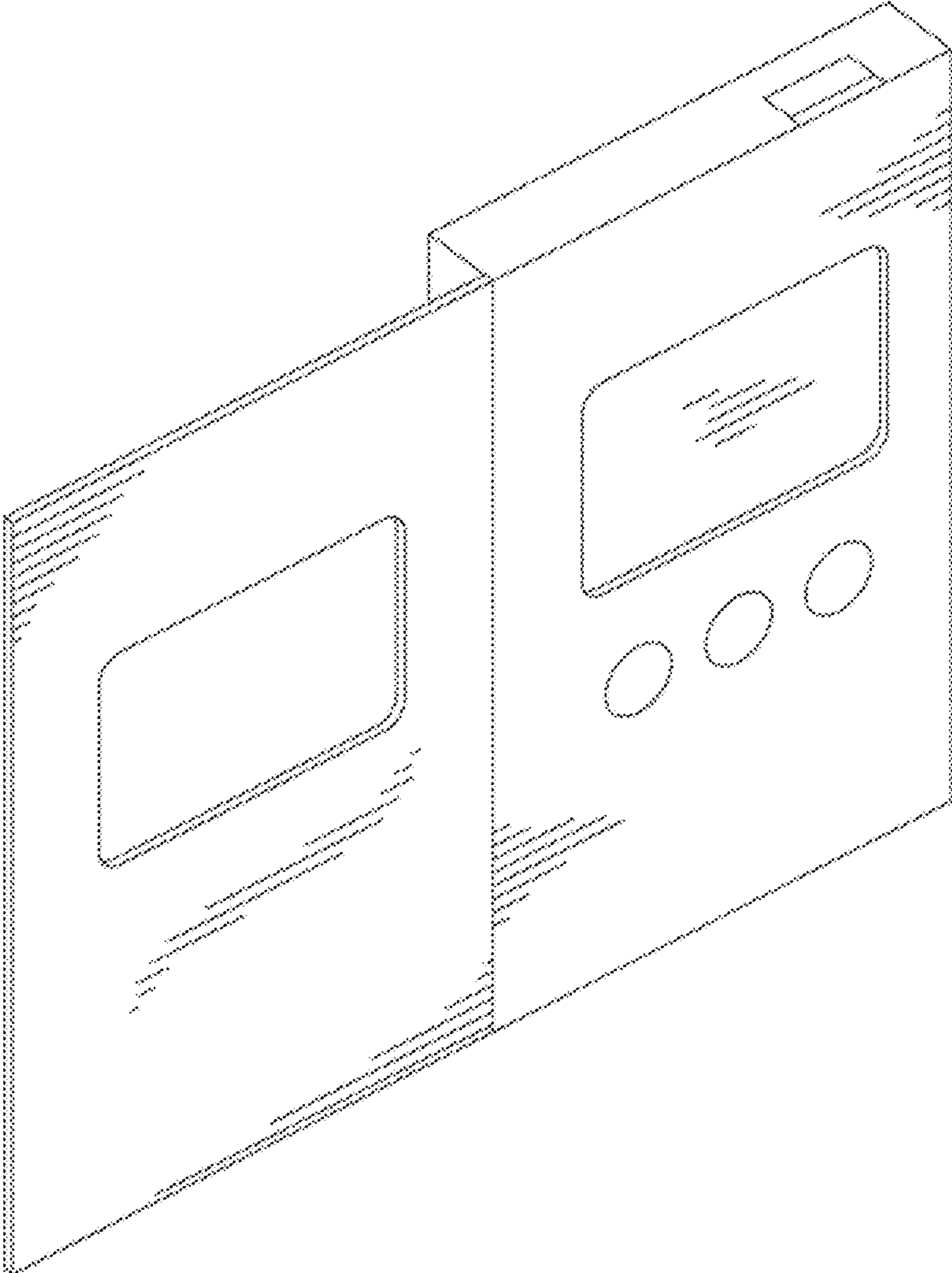


Fig 8

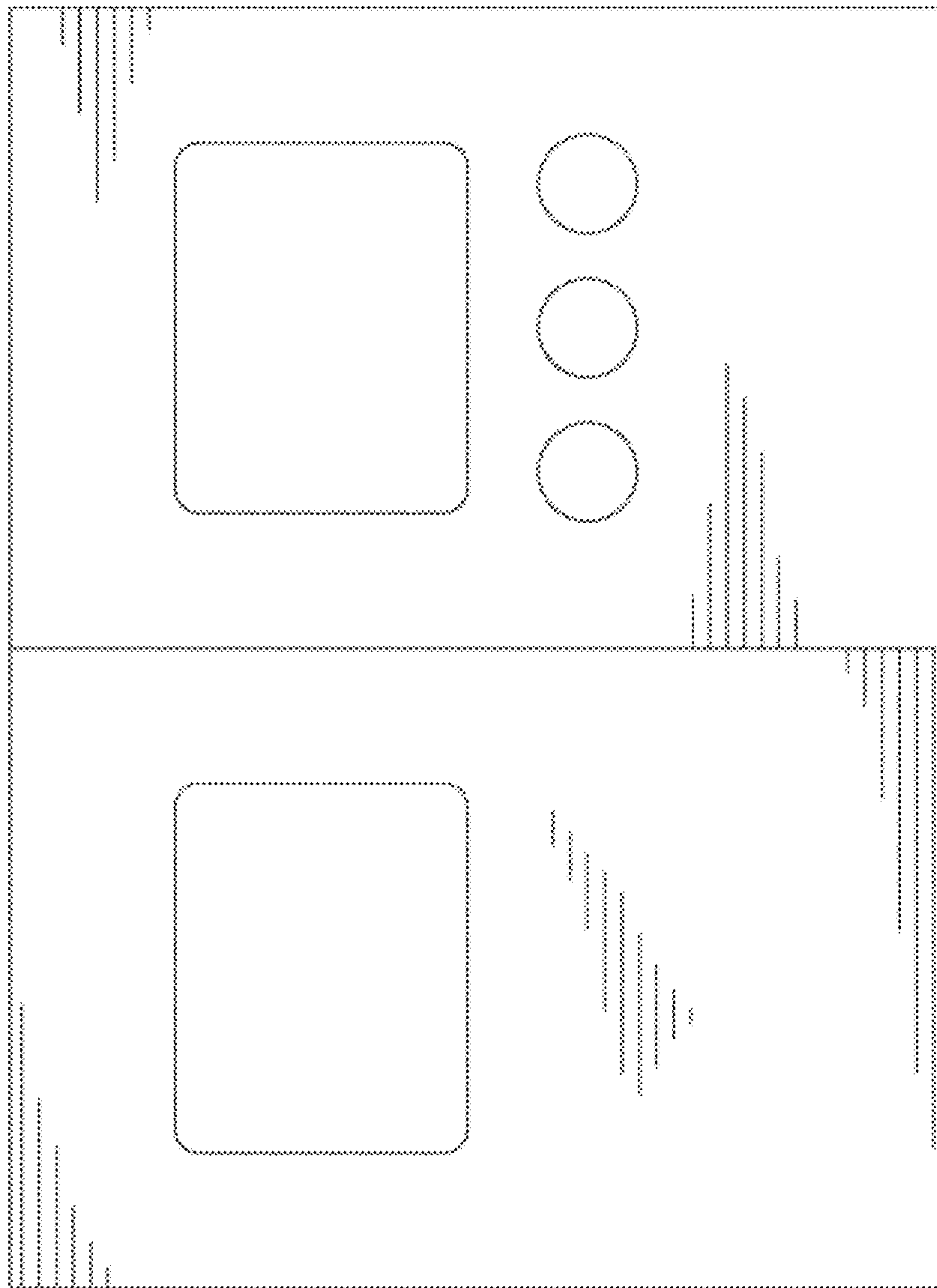


Fig 9

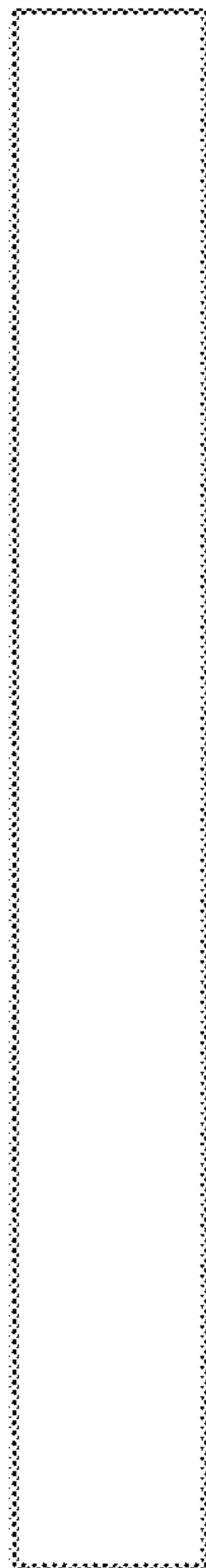


Fig 10

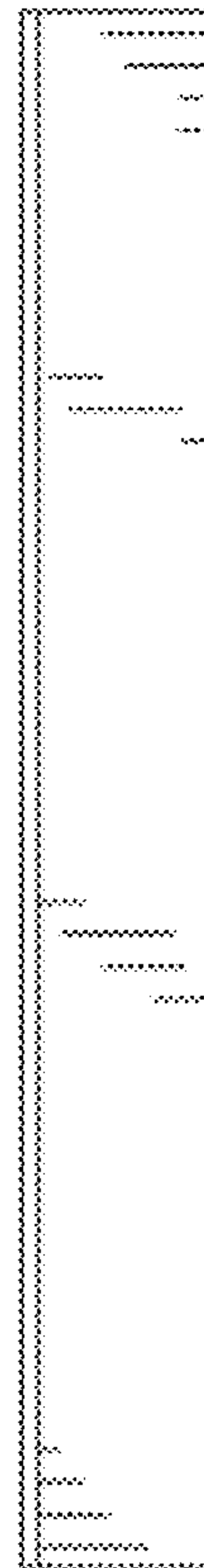


Fig 11

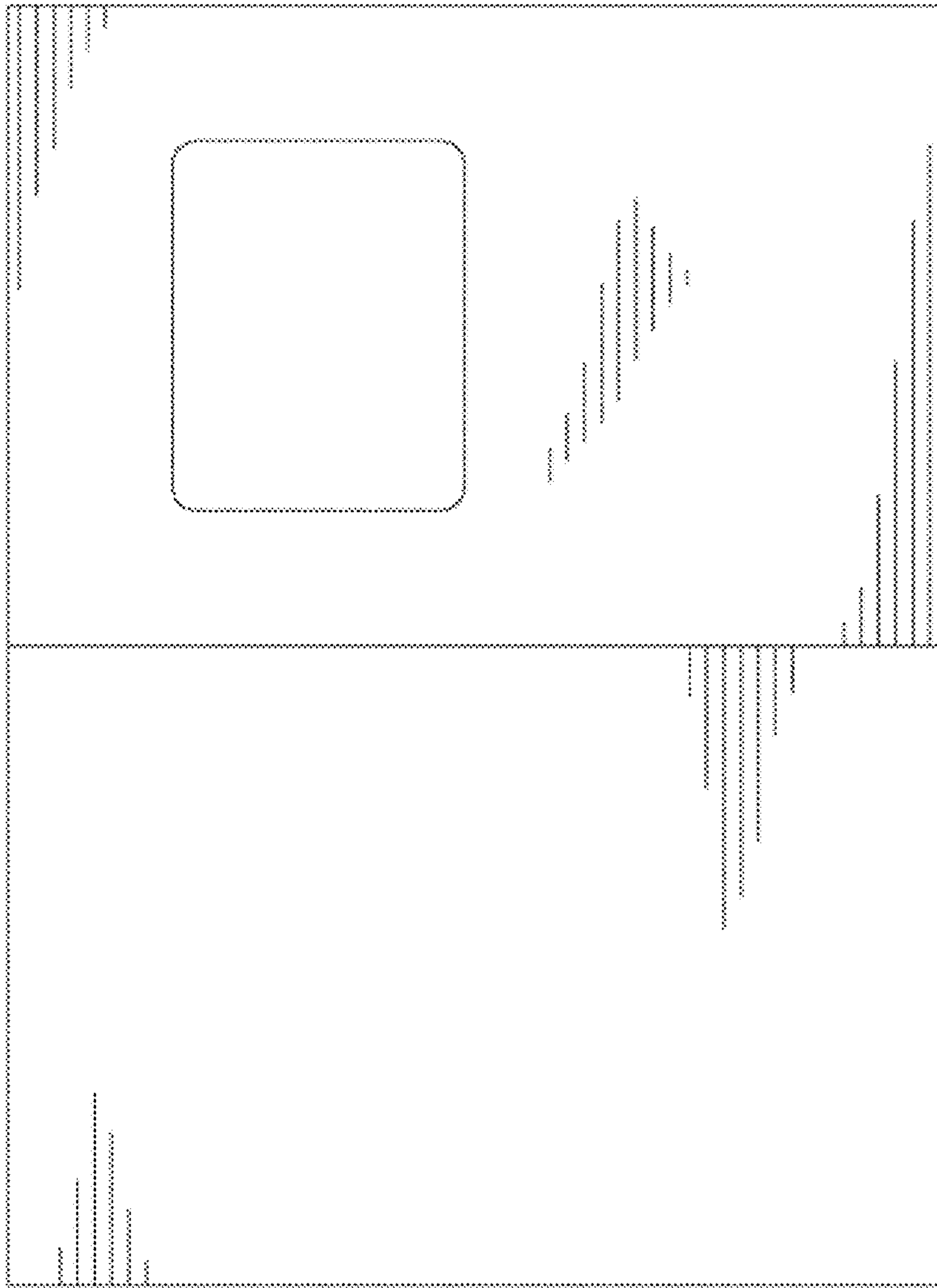


FIG 12

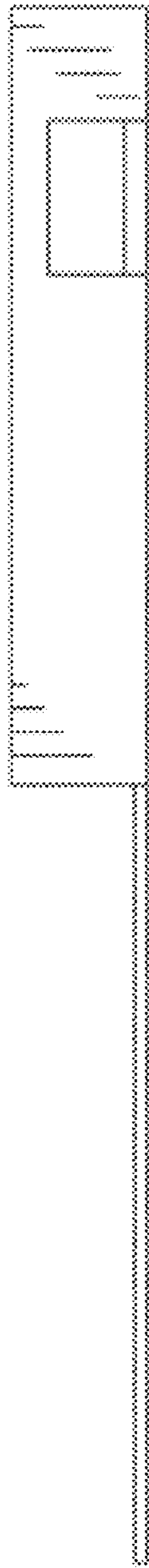


Fig 13

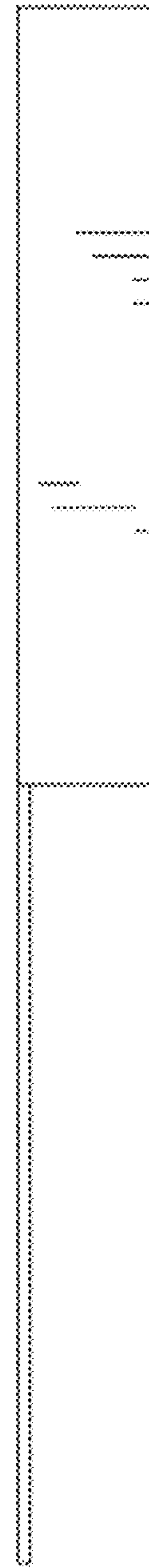


Fig 14

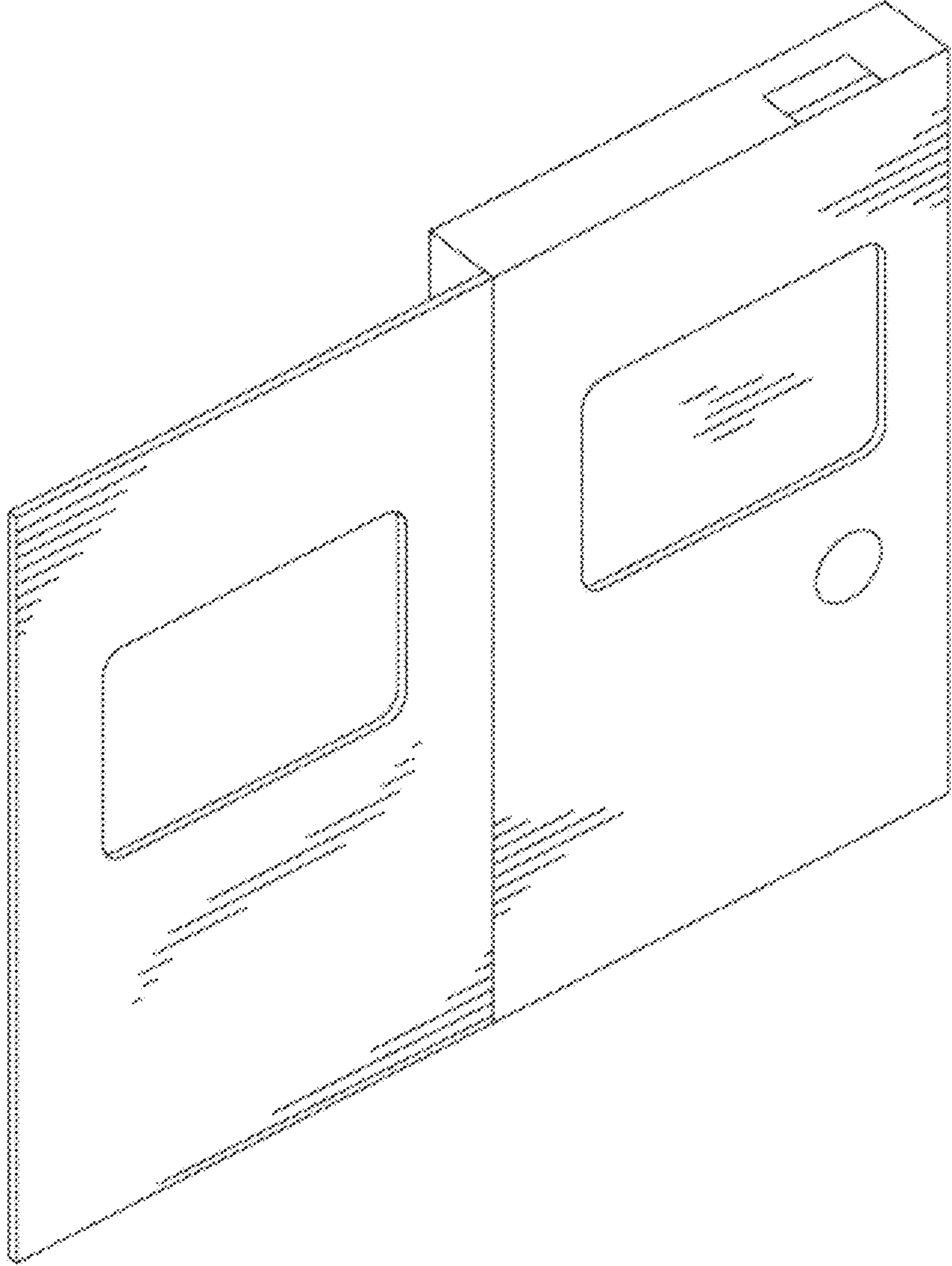


Fig 15

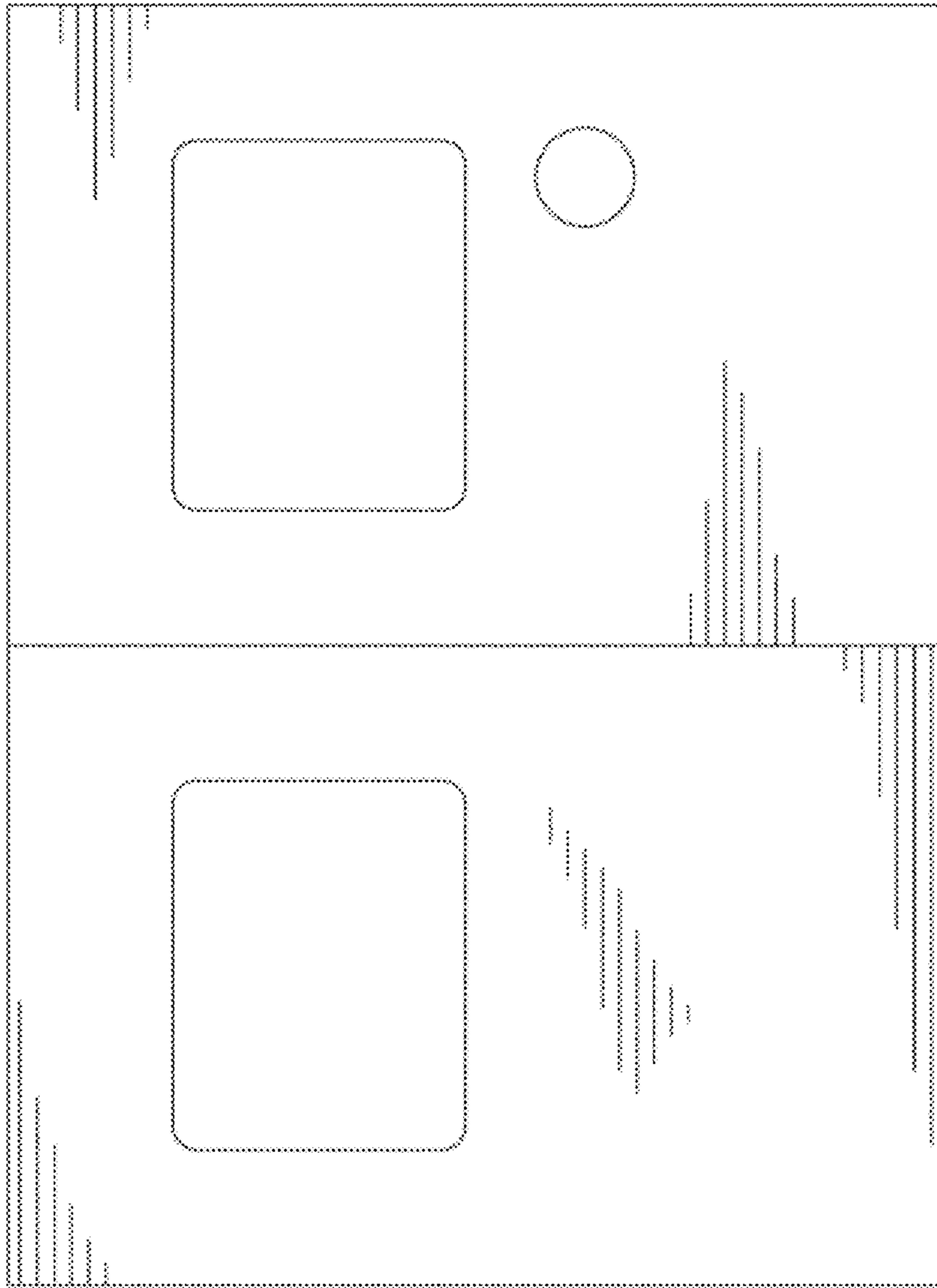


Fig 16

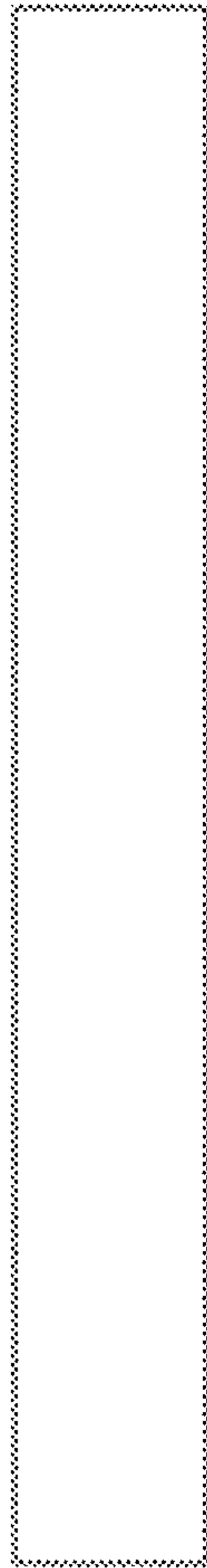


Fig 17

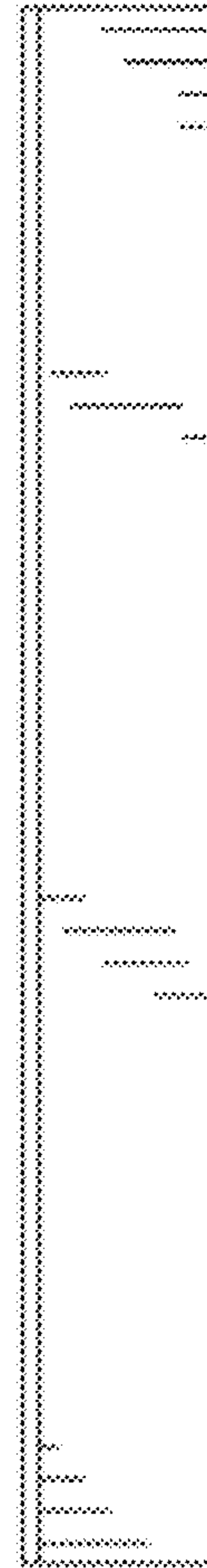


Fig 18

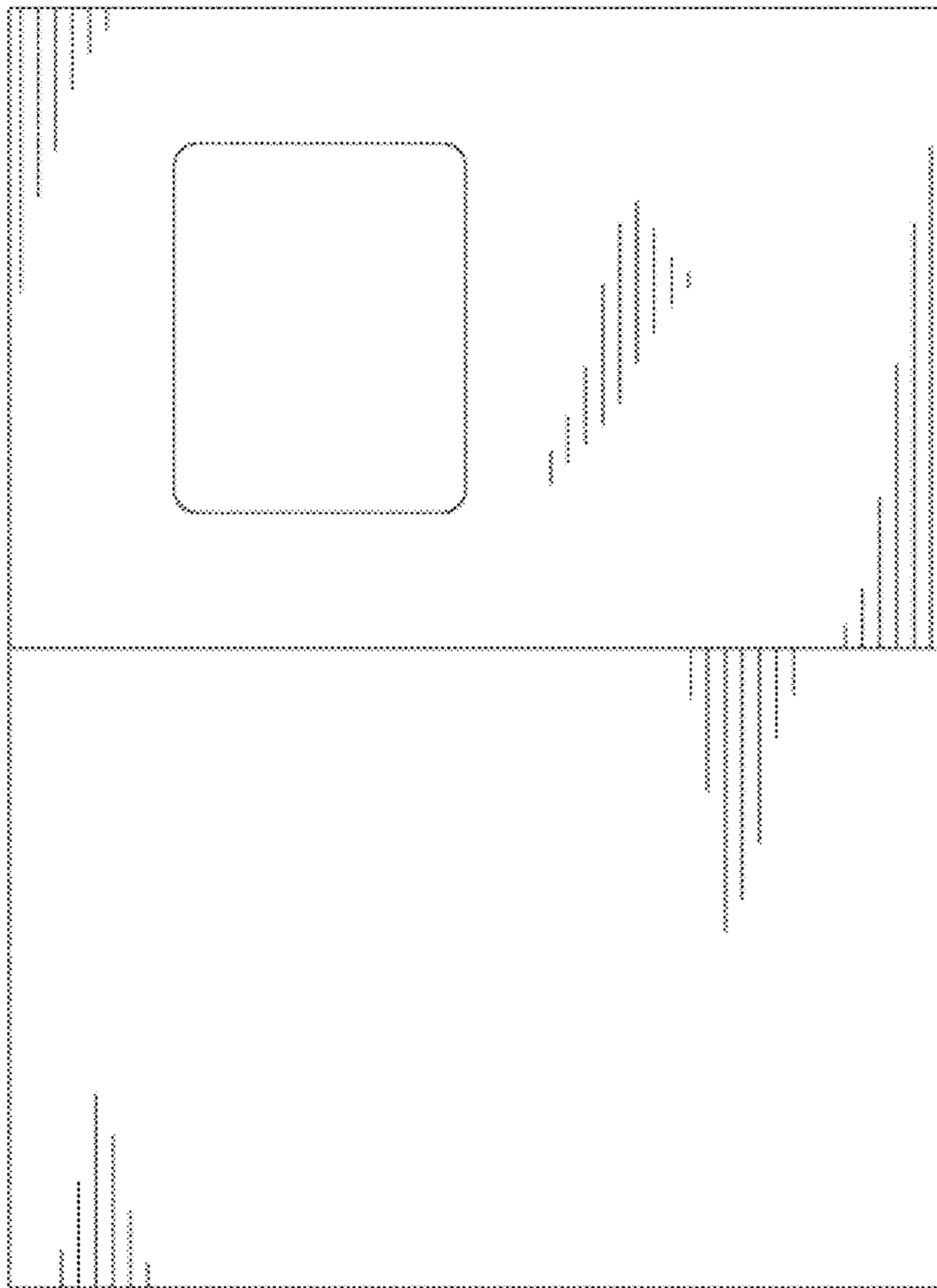


Fig 19

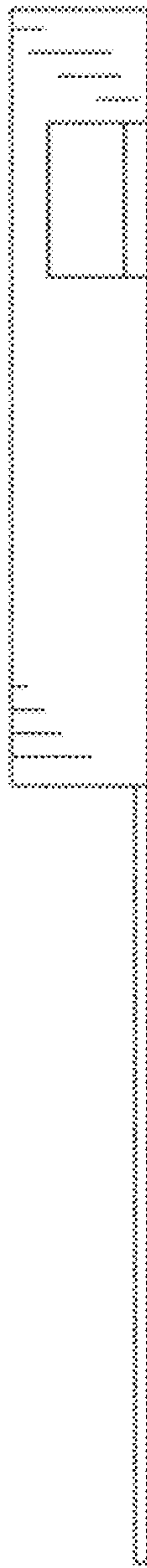


Fig 20

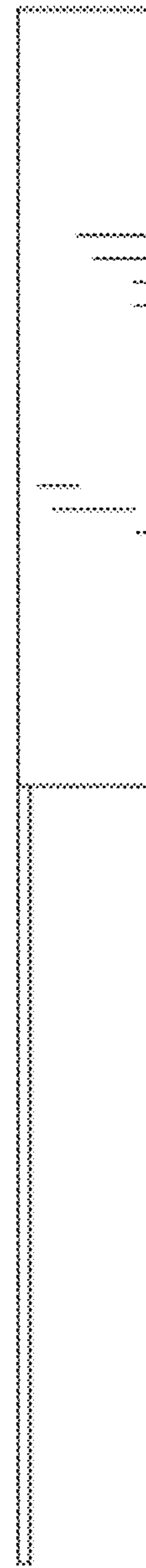


Fig 21

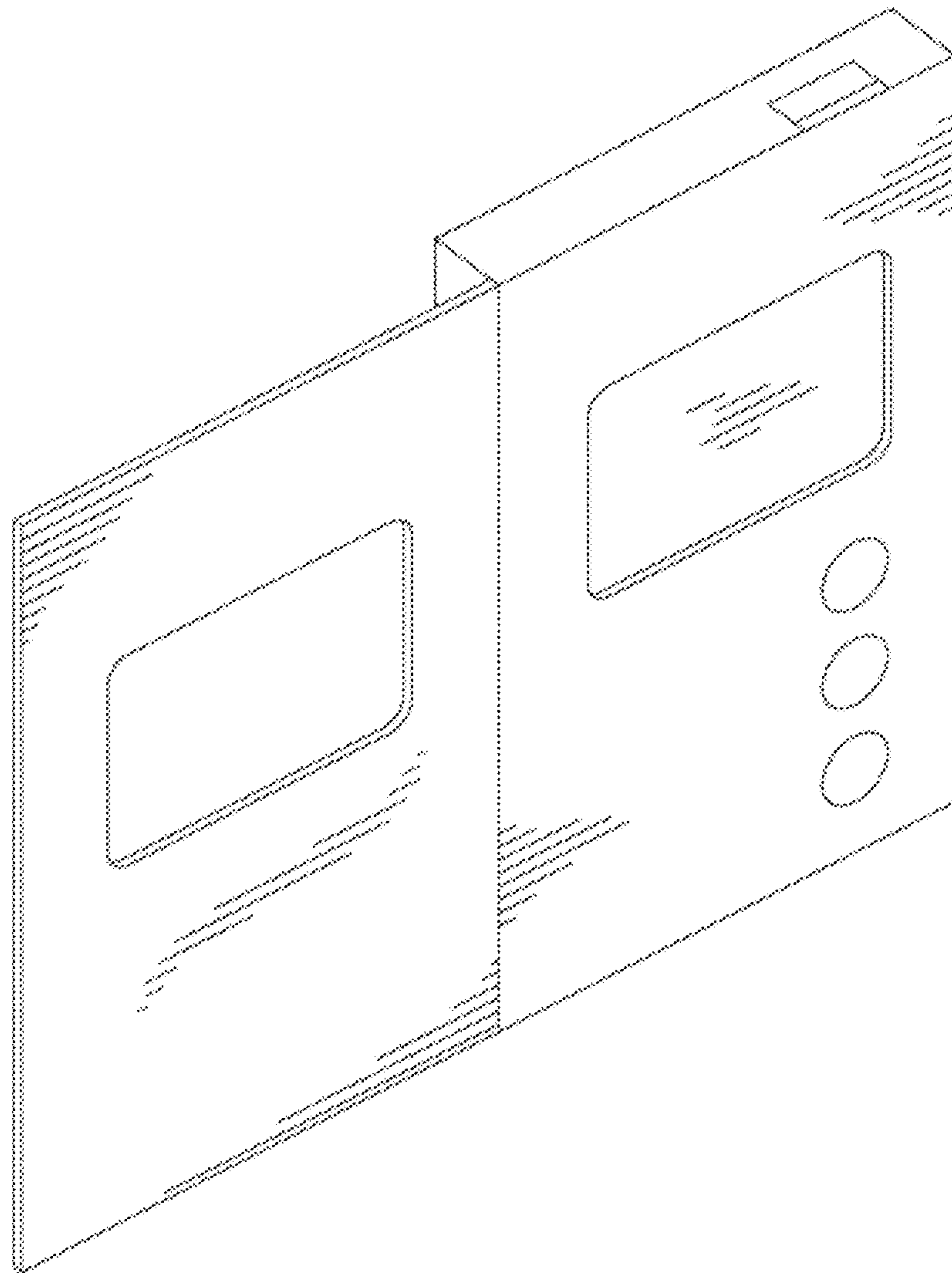


Fig 22

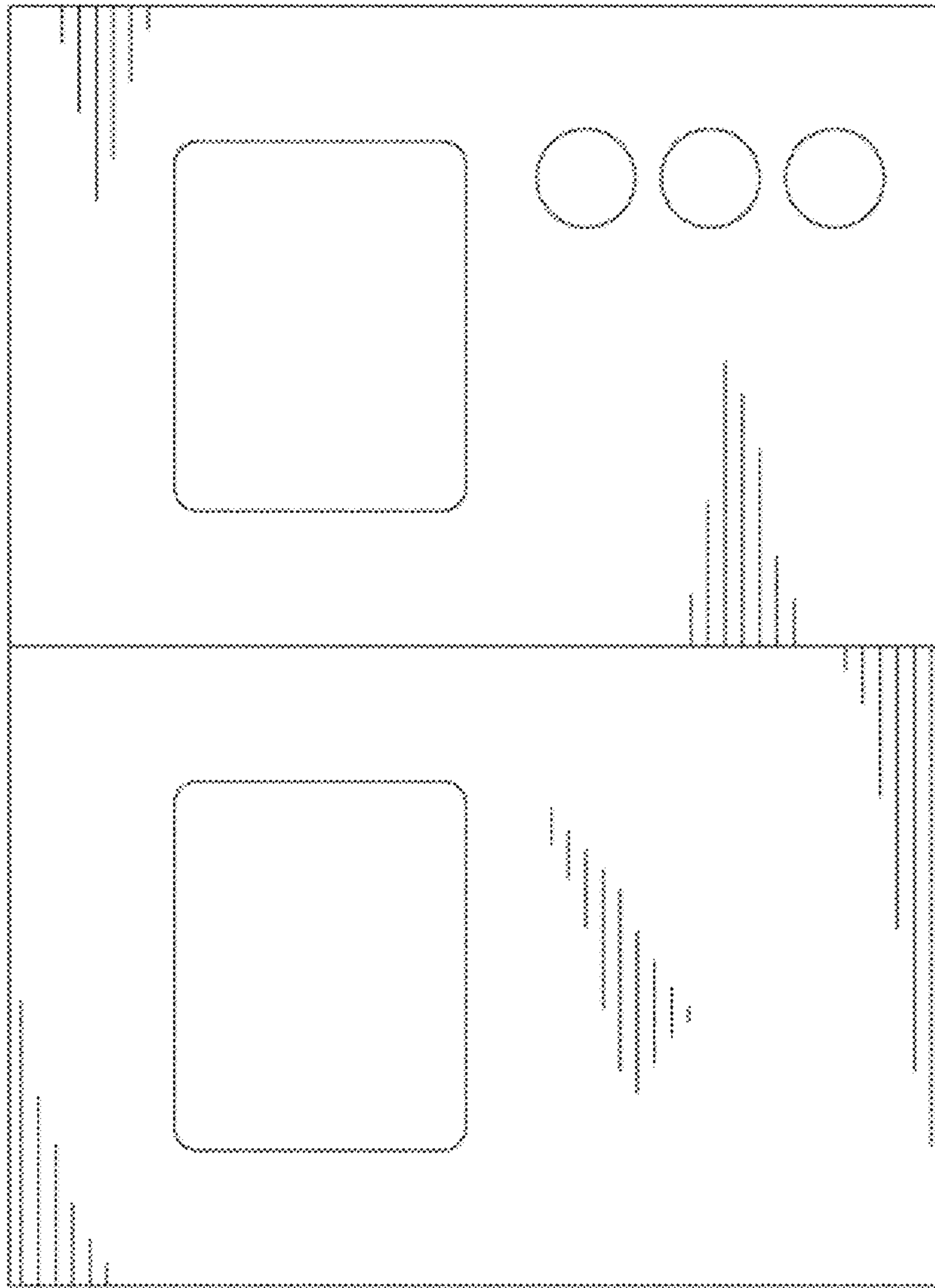


Fig 23

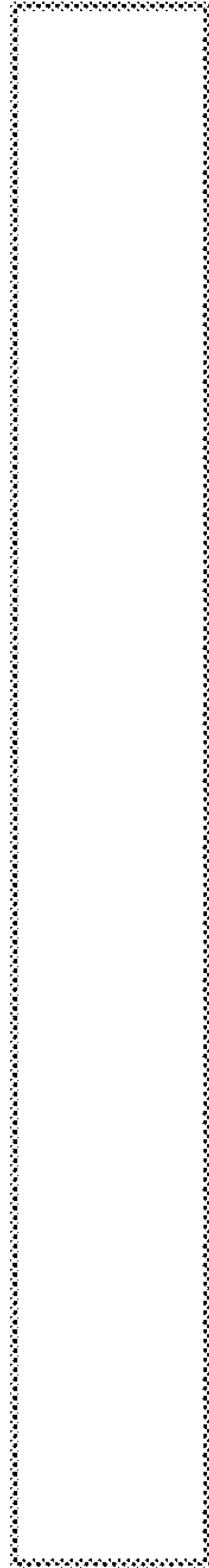


Fig 24

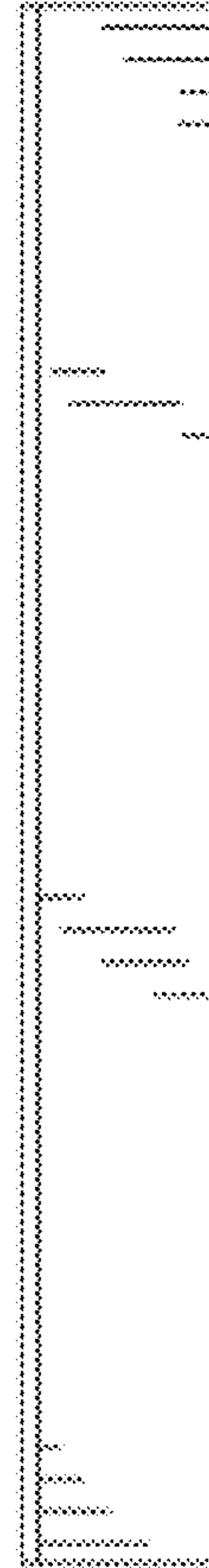


Fig 25

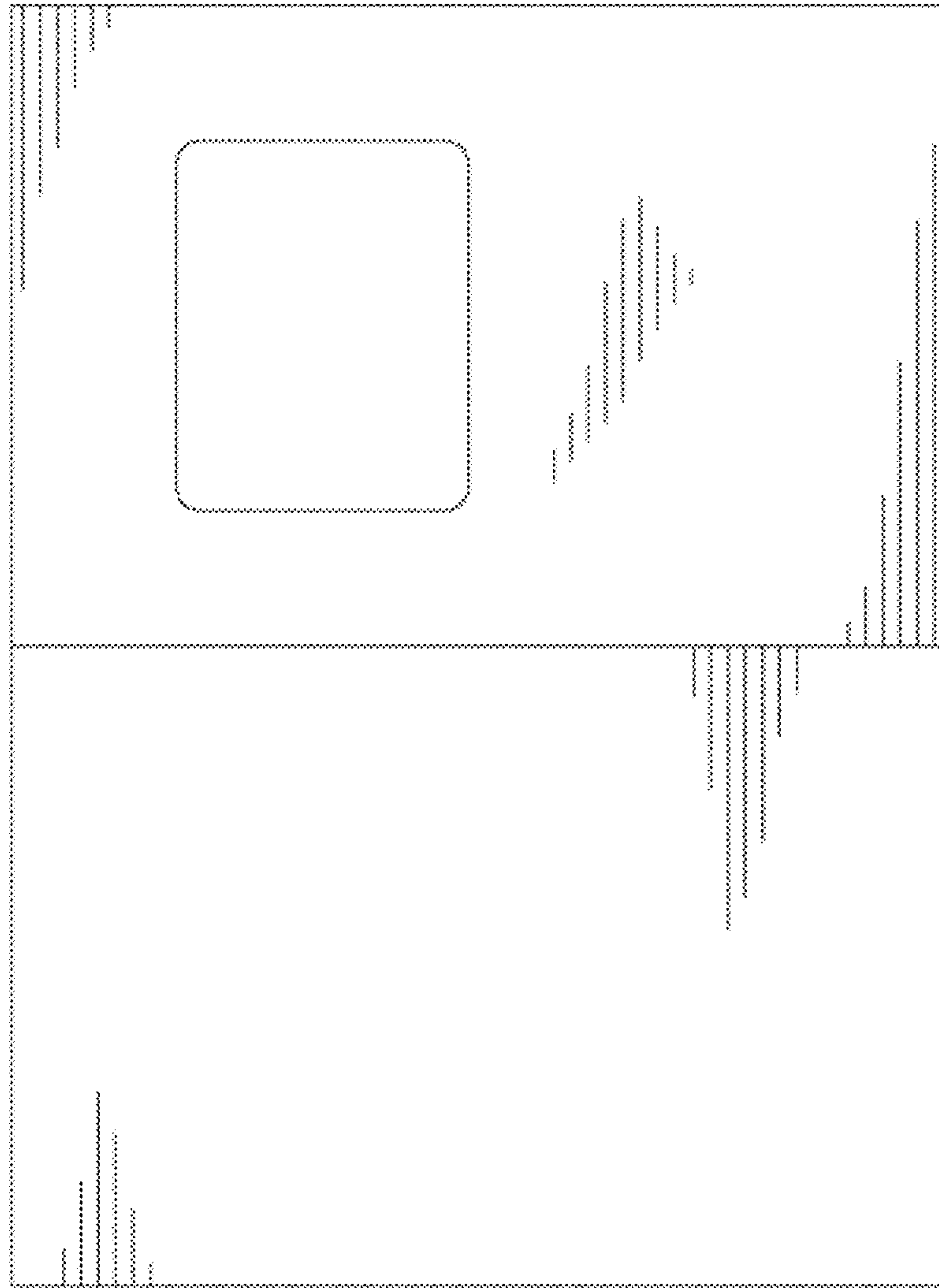


Fig 26

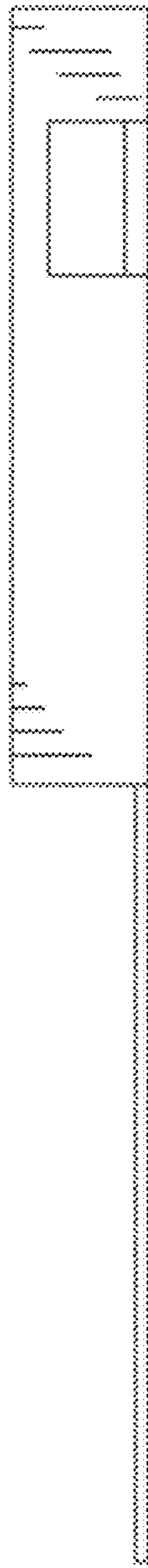


Fig 27

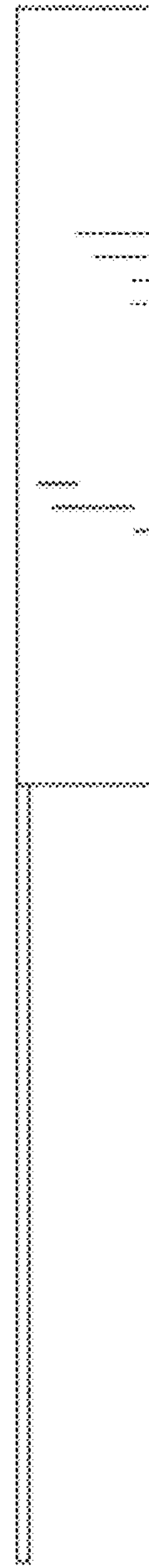


Fig 28