

US00D661725S

(12) **United States Design Patent**  
**Miura et al.**

(10) **Patent No.:** **US D661,725 S**  
(45) **Date of Patent:** **\*\* Jun. 12, 2012**

(54) **KEYBOARD**

(75) Inventors: **Fumihiko Miura**, Hamamatsu (JP);  
**Hiroki Kono**, Hamamatsu (JP)

(73) Assignee: **Roland Corporation**, Hamamatsu (JP)

(\*\*) Term: **14 Years**

(21) Appl. No.: **29/344,460**

(22) Filed: **Sep. 29, 2009**

(51) **LOC (9) Cl.** ..... **17-01**

(52) **U.S. Cl.** ..... **D17/9**

(58) **Field of Classification Search** ..... D17/1,  
D17/7, 9, 12, 13, 14, 20, 10, 18, 99; 84/13,  
84/27, 29, 30, 33, 34, 40, 174, 377, DIG. 14,  
84/379, 384; 984/51, 52, 101, 113, 114;  
D14/485-488; D6/332, 393, 432, 439, 445,  
D6/382, 492, 505, 511, 302

See application file for complete search history.

(56) **References Cited**

**U.S. PATENT DOCUMENTS**

D16,675 S *	5/1886	Kieselhorst	.....	D99/37
D32,113 S *	1/1900	Schnabel	.....	D17/7
D42,862 S *	8/1912	Seeburg	.....	D17/7
D43,841 S *	4/1913	Crosby	.....	D17/7
D43,842 S *	4/1913	Crosby	.....	D17/7
D45,655 S *	4/1914	Seeburg	.....	D17/7
D46,668 S *	11/1914	Gehring	.....	D17/7
D48,726 S *	3/1916	Kavanagh et al.	.....	D17/7
D50,797 S *	5/1917	Plaisted	.....	D17/7
D68,132 S *	9/1925	Ceci	.....	D17/7
D96,811 S *	9/1935	Brey	.....	D17/7
D98,273 S *	1/1936	Miller	.....	D17/7
D99,689 S *	5/1936	Van Dommelen	.....	D17/7
D99,739 S *	5/1936	Van Dommelen	.....	D17/7
D115,513 S *	7/1939	Day	.....	D17/7
D137,376 S *	2/1944	Klein	.....	D17/7
D176,426 S *	12/1955	Millington et al.	.....	D17/7
D186,333 S *	10/1959	Millington et al.	.....	D17/7
D191,960 S *	12/1961	Janssen	.....	D17/7

D191,963 S *	12/1961	Janssen	.....	D17/7
D233,793 S *	11/1974	White, Jr.	.....	D17/7
D252,964 S *	9/1979	Bowman, Jr.	.....	D6/434
D317,170 S *	5/1991	Dong	.....	D17/7

(Continued)

**FOREIGN PATENT DOCUMENTS**

JP 01-347984 1/2009

(Continued)

**OTHER PUBLICATIONS**

Product: KP125 by Yamaha taken from:<http://yamaha.jp/product/drums/el-drums/kick-pads/kp125/> dated Oct. 29, 2009.

*Primary Examiner* — Ian Simmons

*Assistant Examiner* — Charles Hanson

(74) *Attorney, Agent, or Firm* — Foley & Lardner LLP

(57) **CLAIM**

We claim the ornamental design for a keyboard, as shown and described.

**DESCRIPTION**

FIG. 1 is a top, front, right-side perspective view of a keyboard showing our new design.

FIG. 2 is a front view thereof

FIG. 3 is a front view thereof, but with the front legs omitted for ease of illustration.

FIG. 4 is a rear view thereof.

FIG. 5 is a right side view thereof.

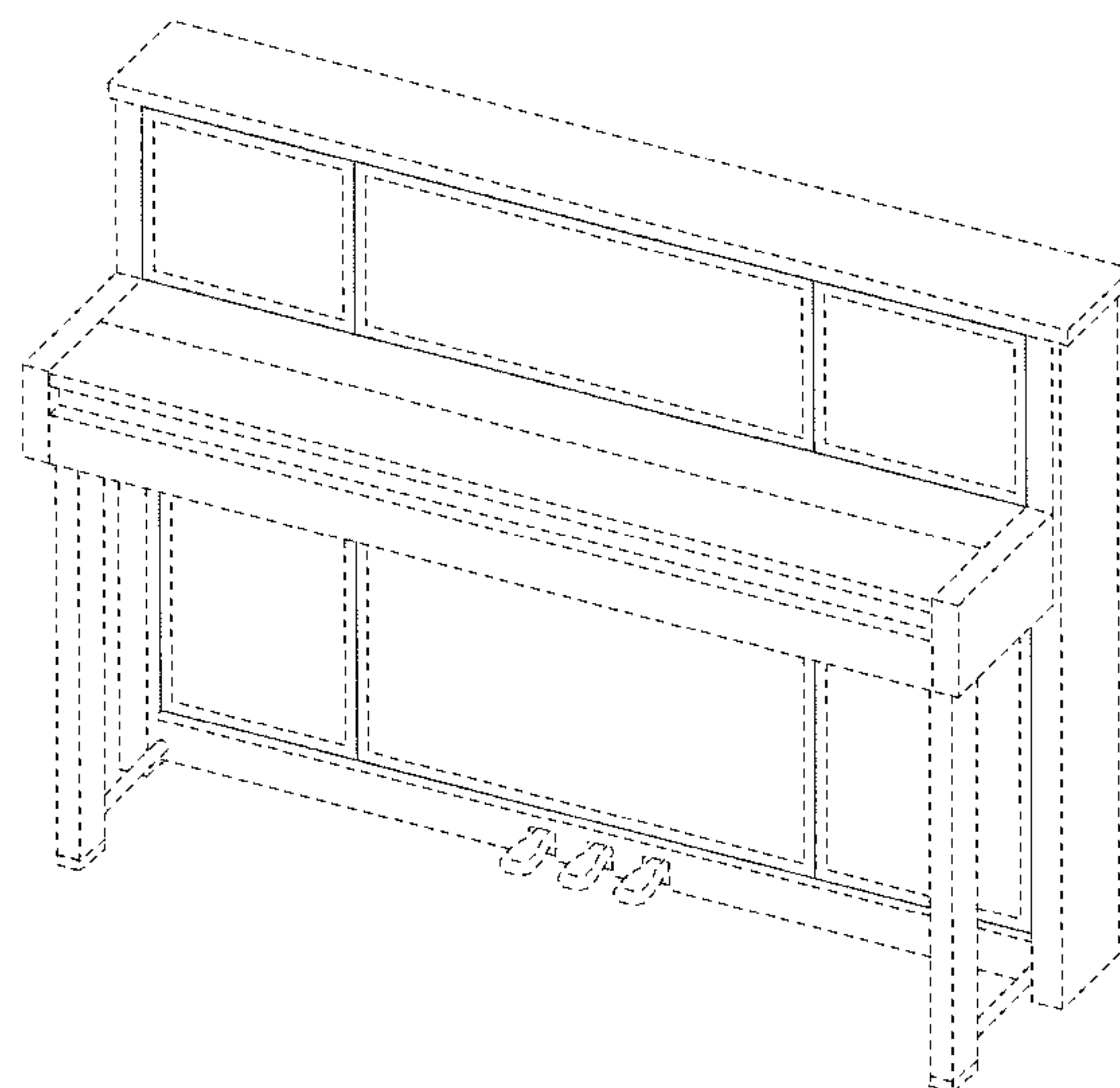
FIG. 6 is a left side view thereof.

FIG. 7 is a top view thereof; and,

FIG. 8 is a bottom view thereof.

The ornamental design which is claimed is shown in solid lines in the drawings. The broken lines in the drawings are for illustrative purposes only and form no part of the claimed design. The broken lines indicate that the areas inside of and outside of the solid line rectangles are not part of the claimed design.

**1 Claim, 5 Drawing Sheets**



# US D661,725 S

Page 2

---

## U.S. PATENT DOCUMENTS

D318,285 S \* 7/1991 Dong ..... D17/7  
D368,178 S \* 3/1996 Walters et al. .... D6/393  
D400,034 S \* 10/1998 Zaidman ..... D6/505  
D481,065 S \* 10/2003 Sato ..... D17/7  
D488,184 S \* 4/2004 Ohno ..... D17/7  
D500,933 S \* 1/2005 Burgess ..... D6/503  
D505,035 S \* 5/2005 Mohundro ..... D6/505  
D507,714 S \* 7/2005 Mohundro ..... D6/505  
D509,087 S \* 9/2005 Rozenboom ..... D6/505  
D510,827 S \* 10/2005 Mohundro ..... D6/505

D511,428 S \* 11/2005 Mohundro ..... D6/505  
D528,331 S \* 9/2006 Mohundro ..... D6/505  
D562,816 S \* 2/2008 Woolpert ..... D14/305  
D565,333 S \* 4/2008 Mohundro ..... D6/505  
D596,222 S 7/2009 Onishi  
D597,587 S \* 8/2009 Bailey et al. .... D17/7

## FOREIGN PATENT DOCUMENTS

JP 2009-128427 6/2009

\* cited by examiner

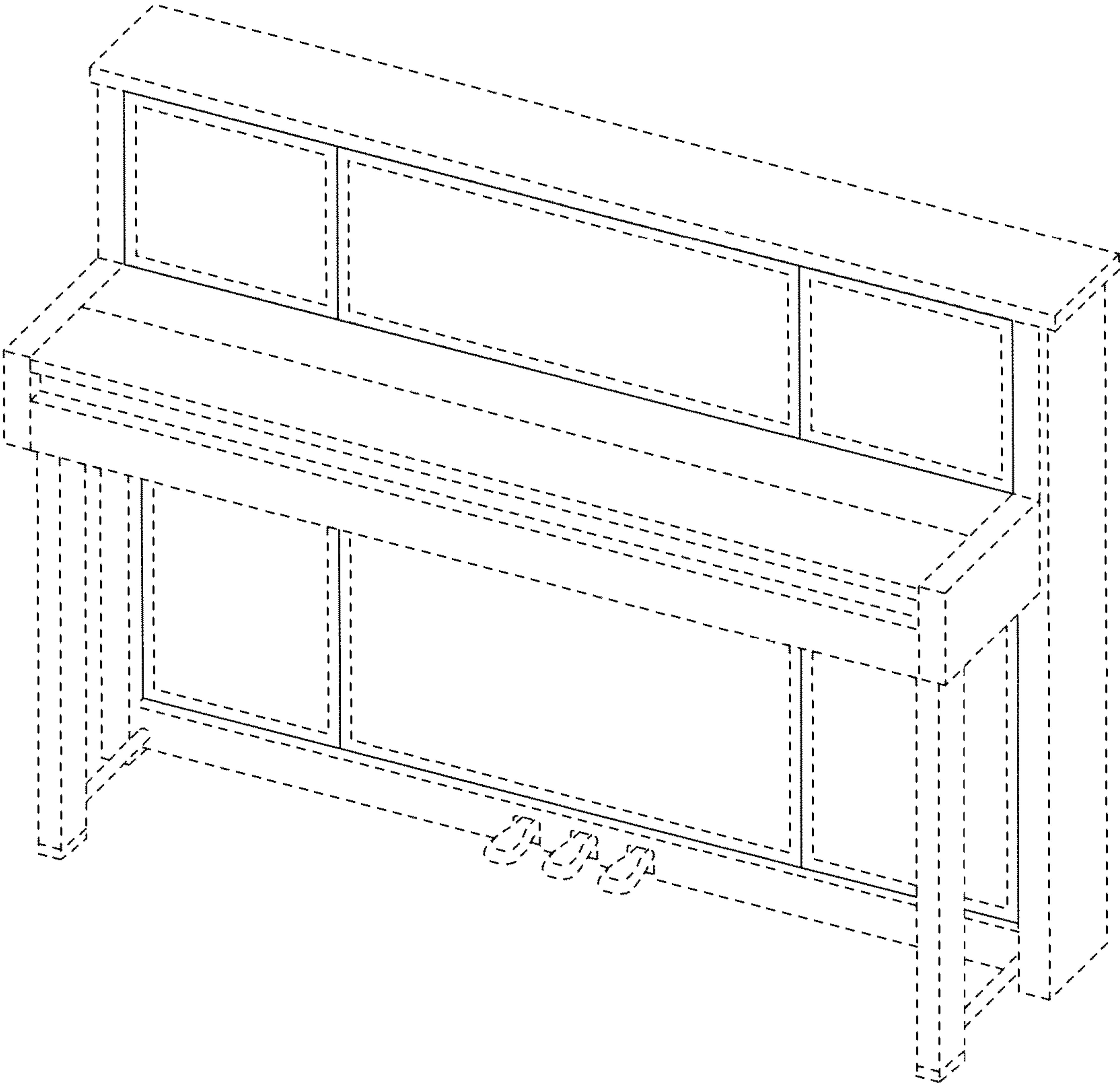


FIG. 1

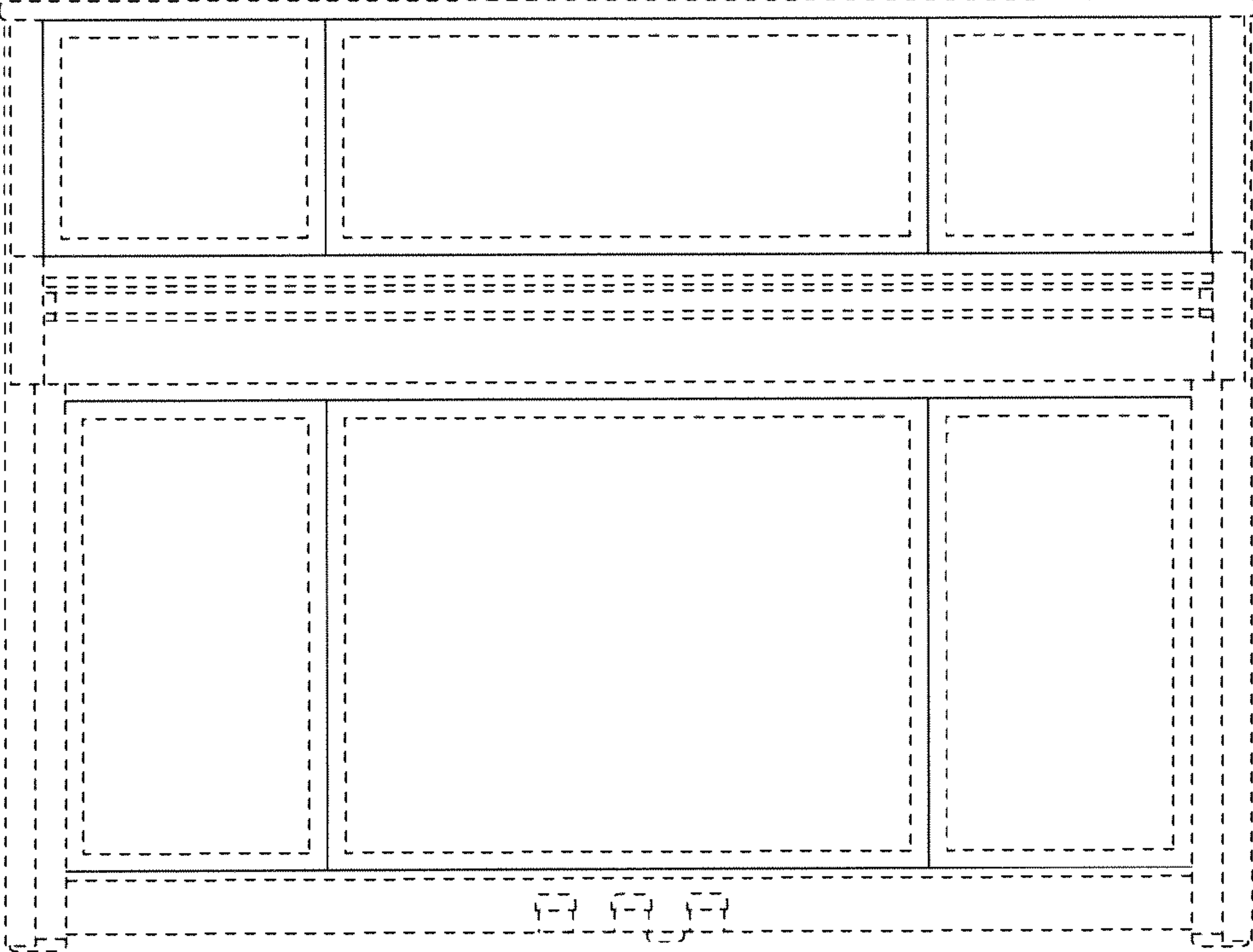


FIG. 2

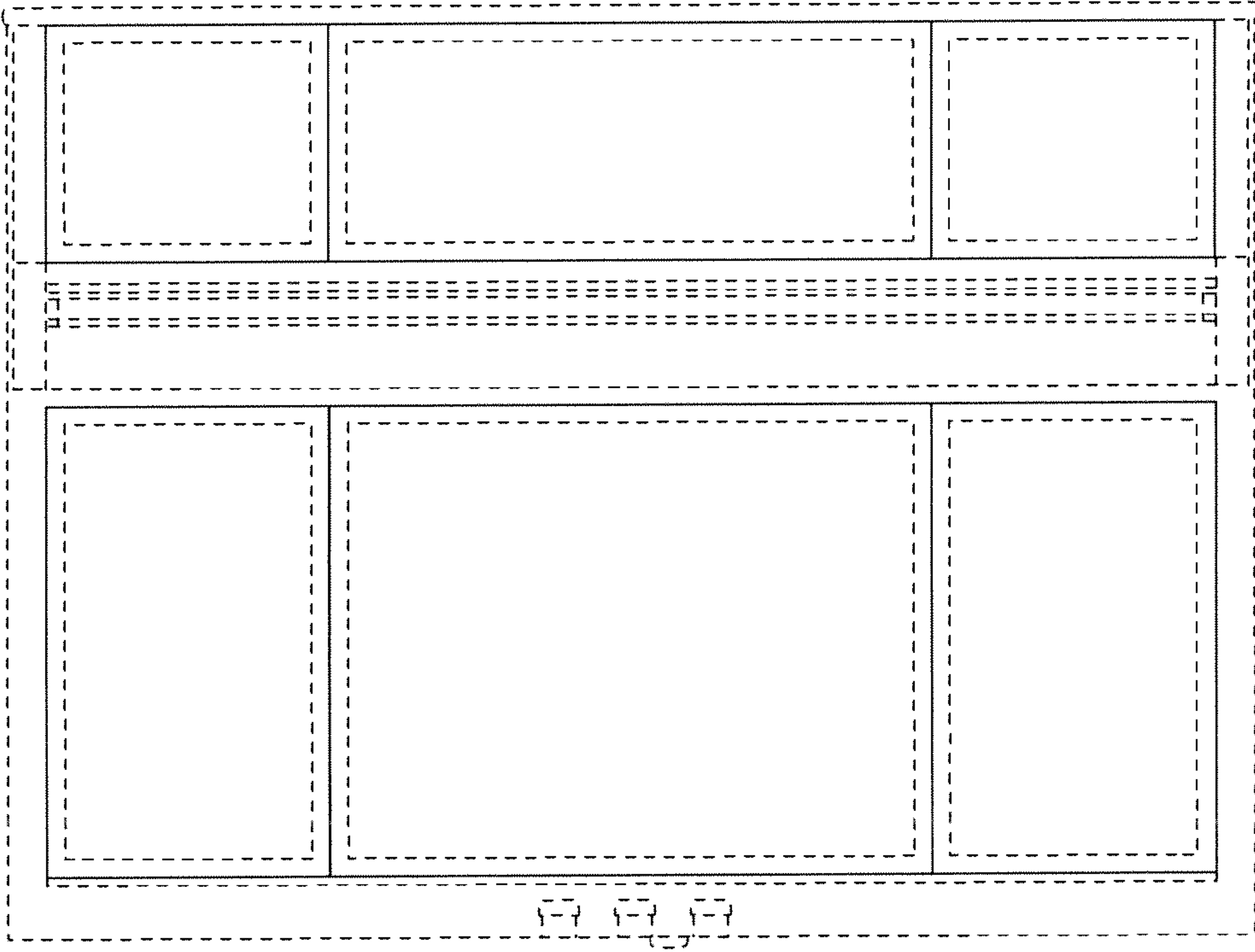


FIG. 3

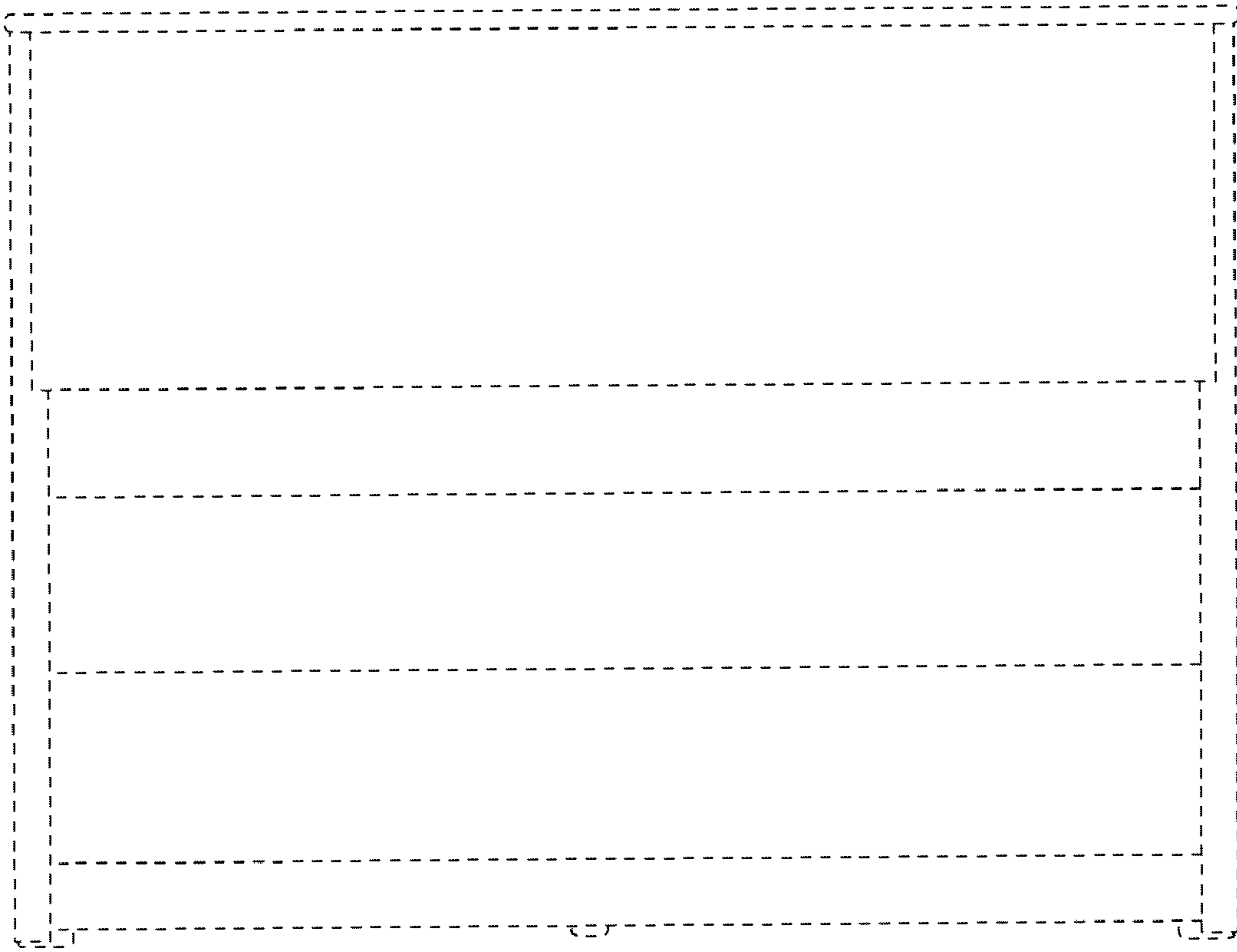


FIG. 4

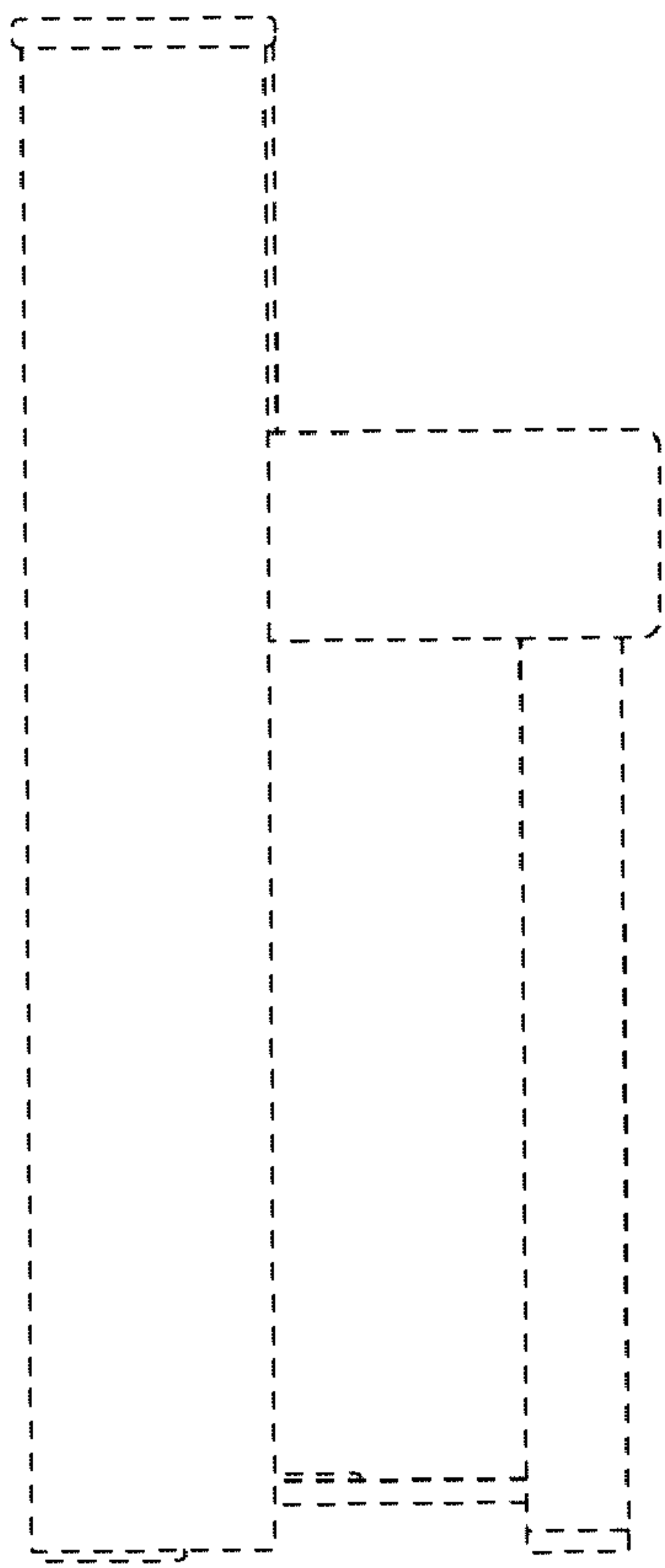


FIG. 5

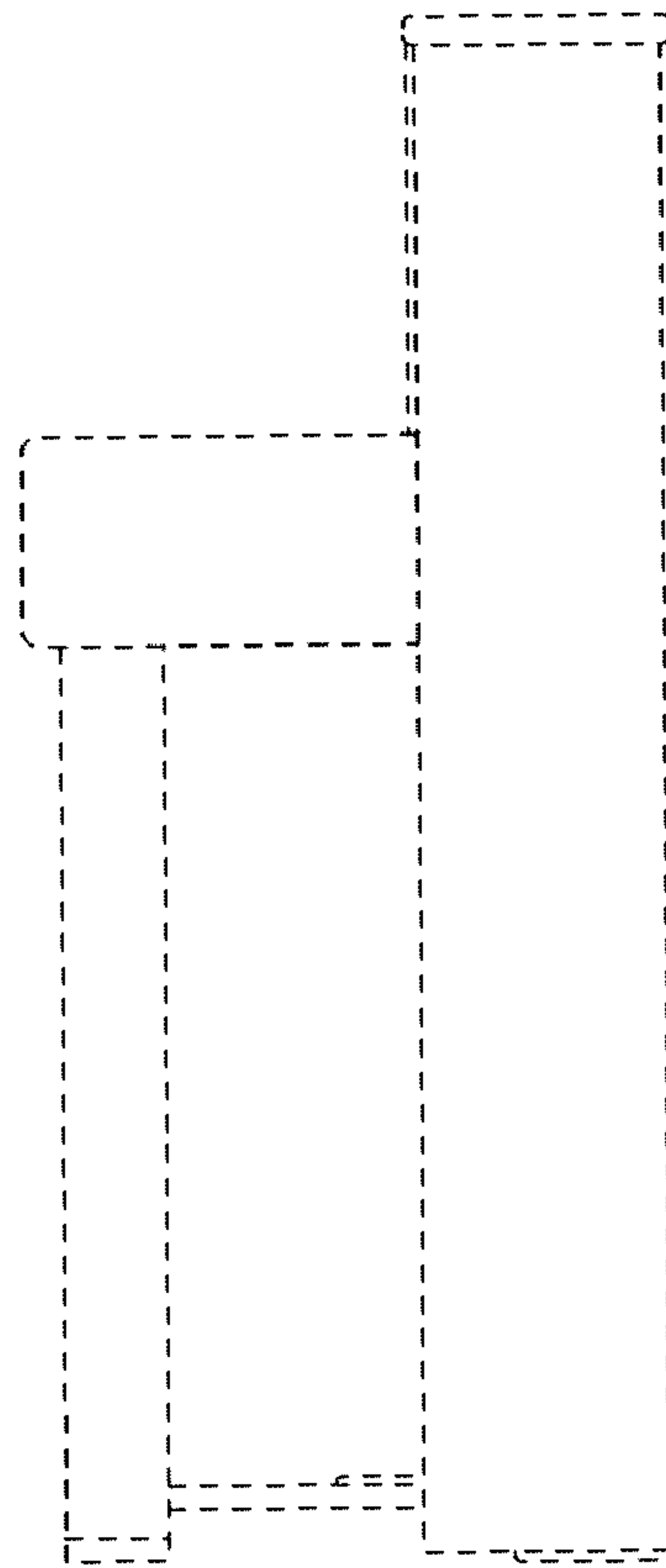


FIG. 6



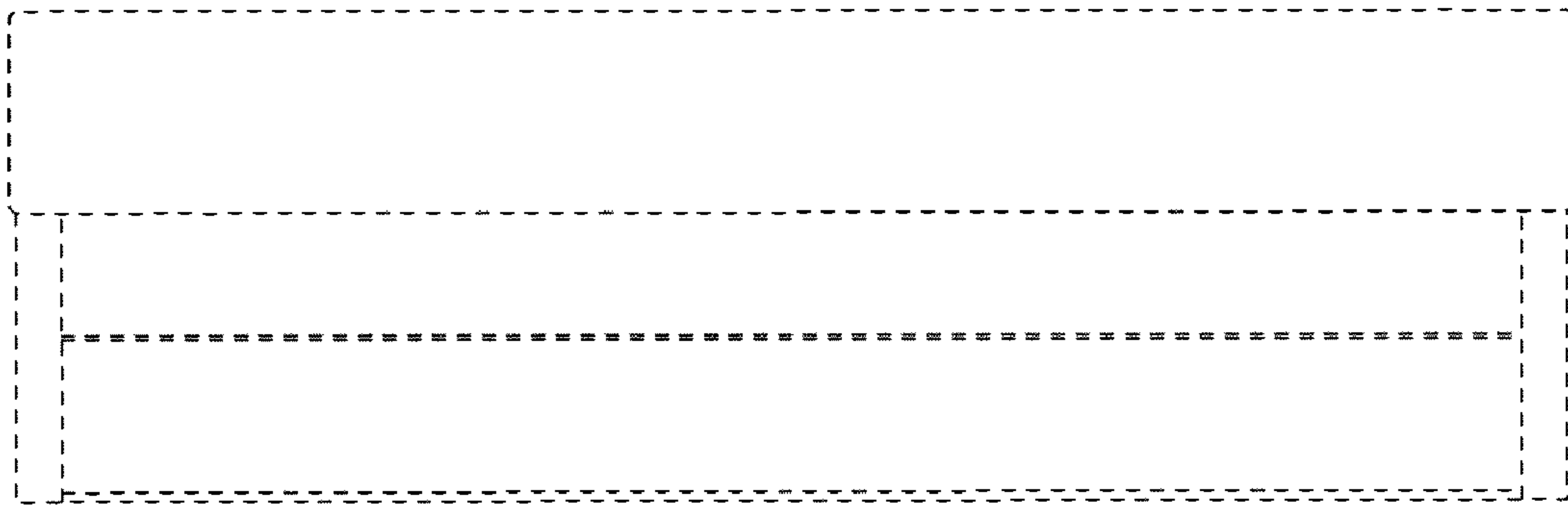


FIG. 7

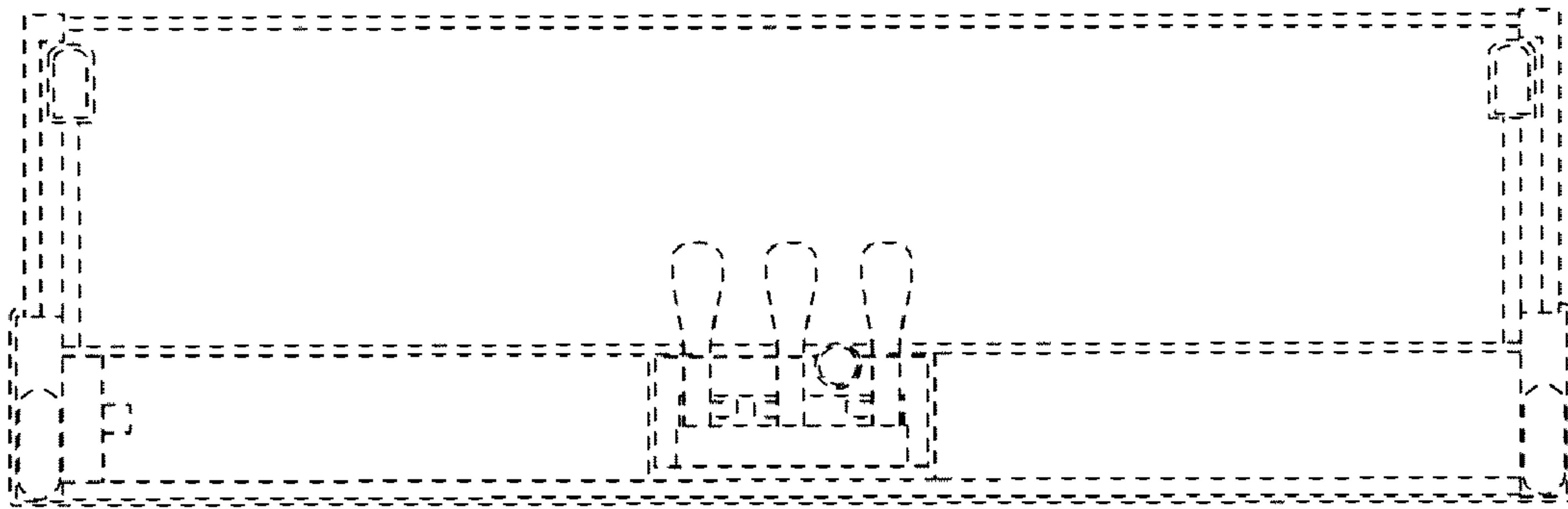


FIG. 8