

US00D661722S

(12) **United States Design Patent**
Takeda et al.

(10) **Patent No.:** **US D661,722 S**
(45) **Date of Patent:** **** Jun. 12, 2012**

(54) **PROJECTOR**

(75) Inventors: **Mikiya Takeda**, Tokyo (JP); **Candice Cheng**, Taipei (TW)

(73) Assignees: **NEC Display Solutions, Ltd.**, Tokyo (JP); **Delta Electronics, Inc.**, Taipei (TW)

(**) Term: **14 Years**

(21) Appl. No.: **29/398,408**

(22) Filed: **Jul. 29, 2011**

(30) **Foreign Application Priority Data**

Jan. 31, 2011 (JP) 2011-2038

(51) **LOC (9) Cl.** **16-02**

(52) **U.S. Cl.** **D16/235; D16/230**

(58) **Field of Classification Search** D16/205,
D16/208, 221, 225, 230-231, 234-235; D21/514;
353/115, 119, 122, 74

See application file for complete search history.

(56) **References Cited**

U.S. PATENT DOCUMENTS

D436,979 S * 1/2001 Yokoyama et al. D16/231
D449,060 S * 10/2001 Saeki et al. D16/230

D464,074 S * 10/2002 Miyazaki D16/230
D498,490 S * 11/2004 Kawasaki et al. D16/231
D513,515 S * 1/2006 Ooshima et al. D16/230
7,210,796 B2 * 5/2007 Inuma et al. 353/119
D555,185 S * 11/2007 Nozue et al. D16/230
D565,631 S * 4/2008 Morishita D16/235
D588,620 S * 3/2009 Kawabe et al. D16/230
D602,061 S * 10/2009 Tataka et al. D16/230
D640,302 S * 6/2011 Tataka et al. D16/230

* cited by examiner

Primary Examiner — Wan Laymon

(74) *Attorney, Agent, or Firm* — Sughrue Mion, PLLC

(57) **CLAIM**

The ornamental design for a projector, as shown and described.

DESCRIPTION

FIG. 1 is a front, right side, top perspective view of a projector showing our new design;

FIG. 2 is a front elevational view thereof;

FIG. 3 is a rear elevational view thereof;

FIG. 4 is a left side view thereof;

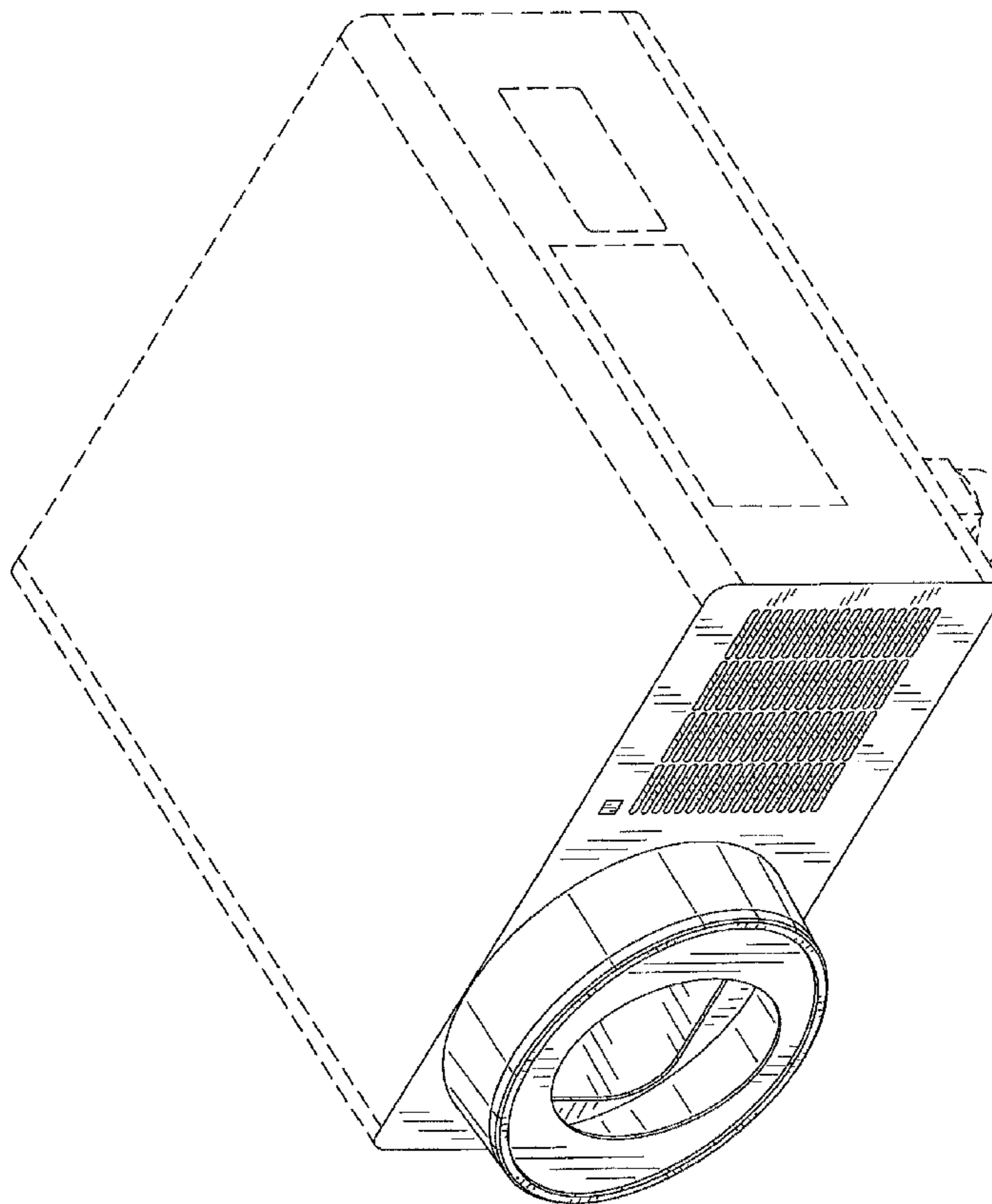
FIG. 5 is a right side view thereof;

FIG. 6 is a top plan view thereof; and,

FIG. 7 is a bottom plan view thereof.

The portions in broken lines are shown for illustrative purposes only and form no part of the claimed design.

1 Claim, 5 Drawing Sheets



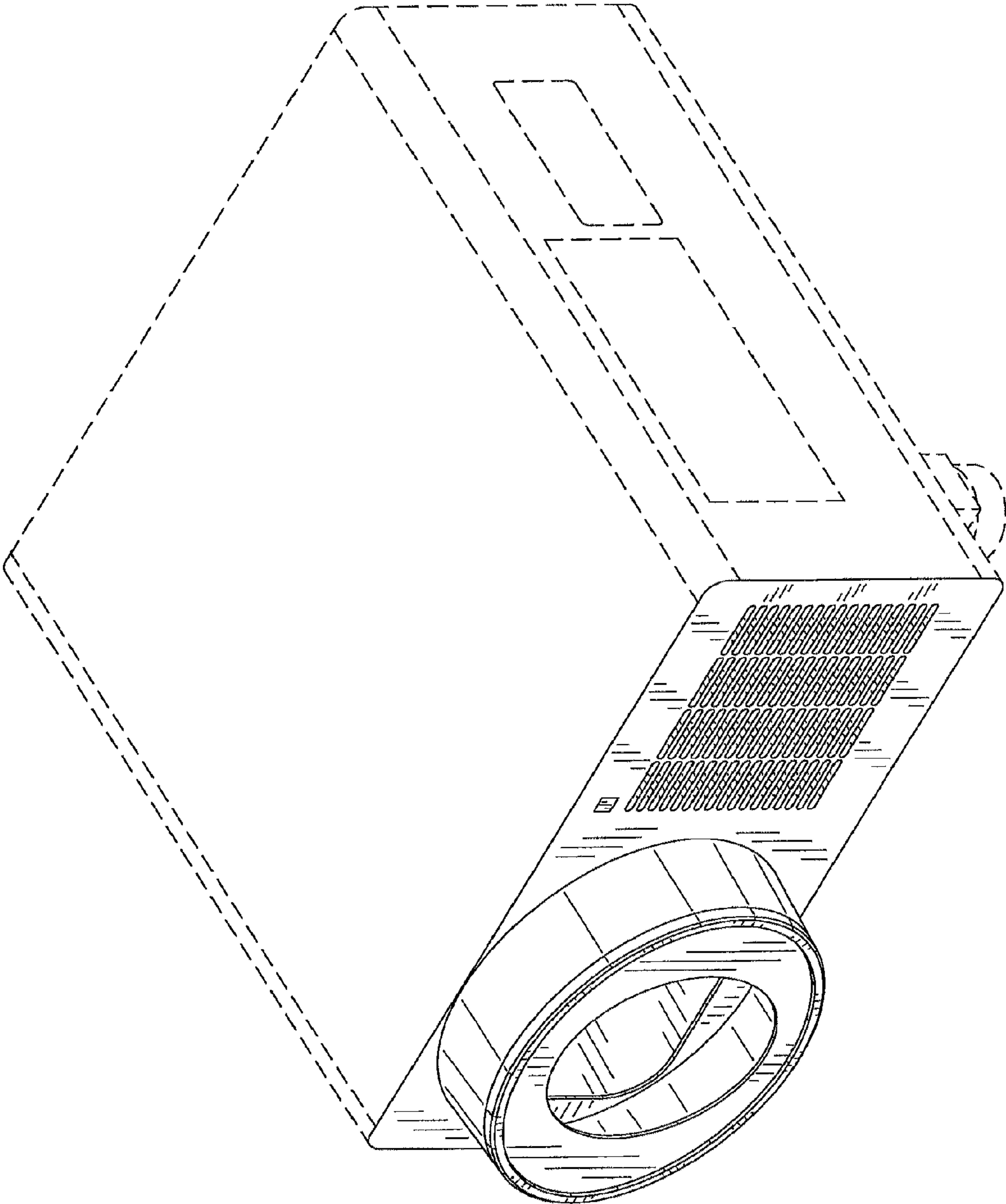


FIG. 1

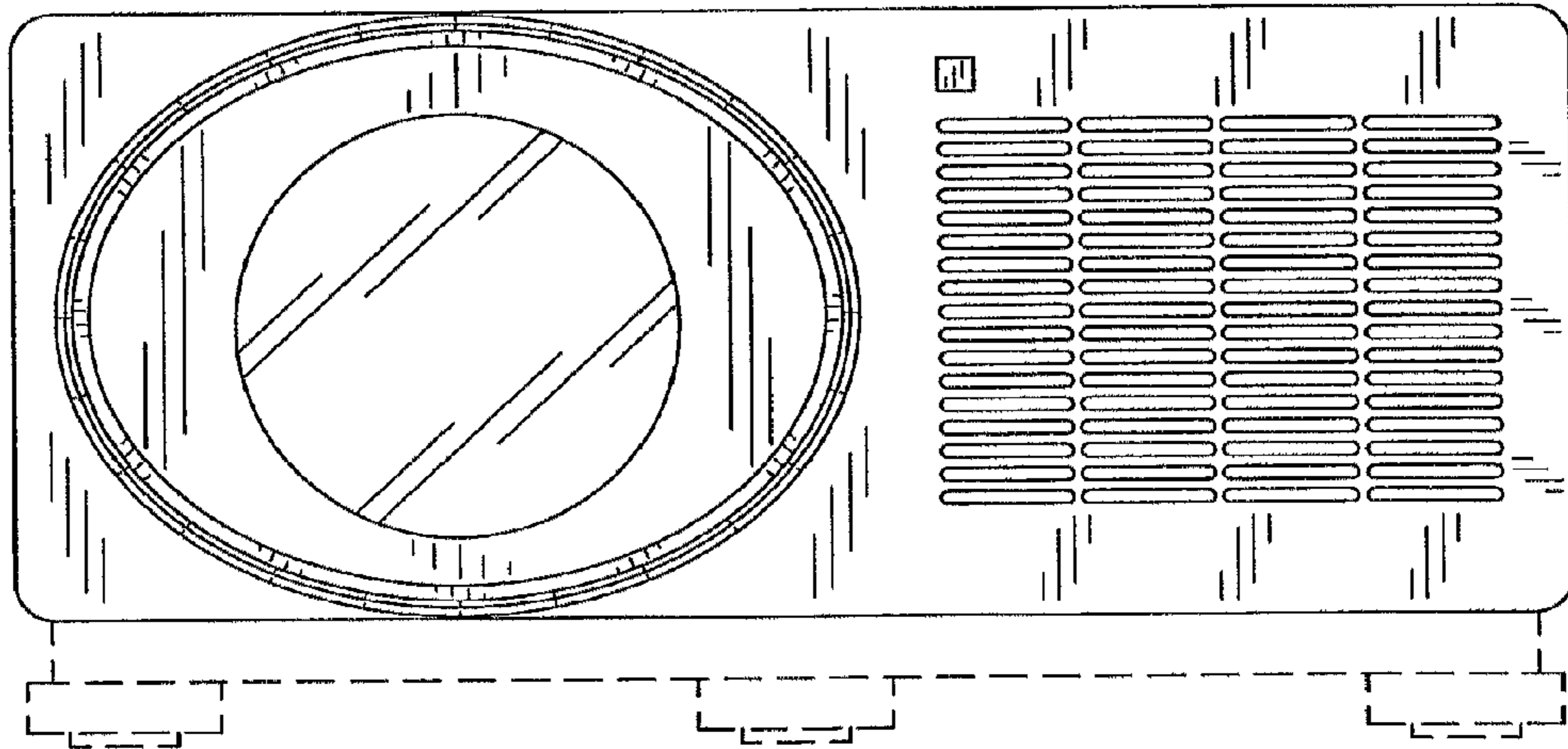


FIG. 2

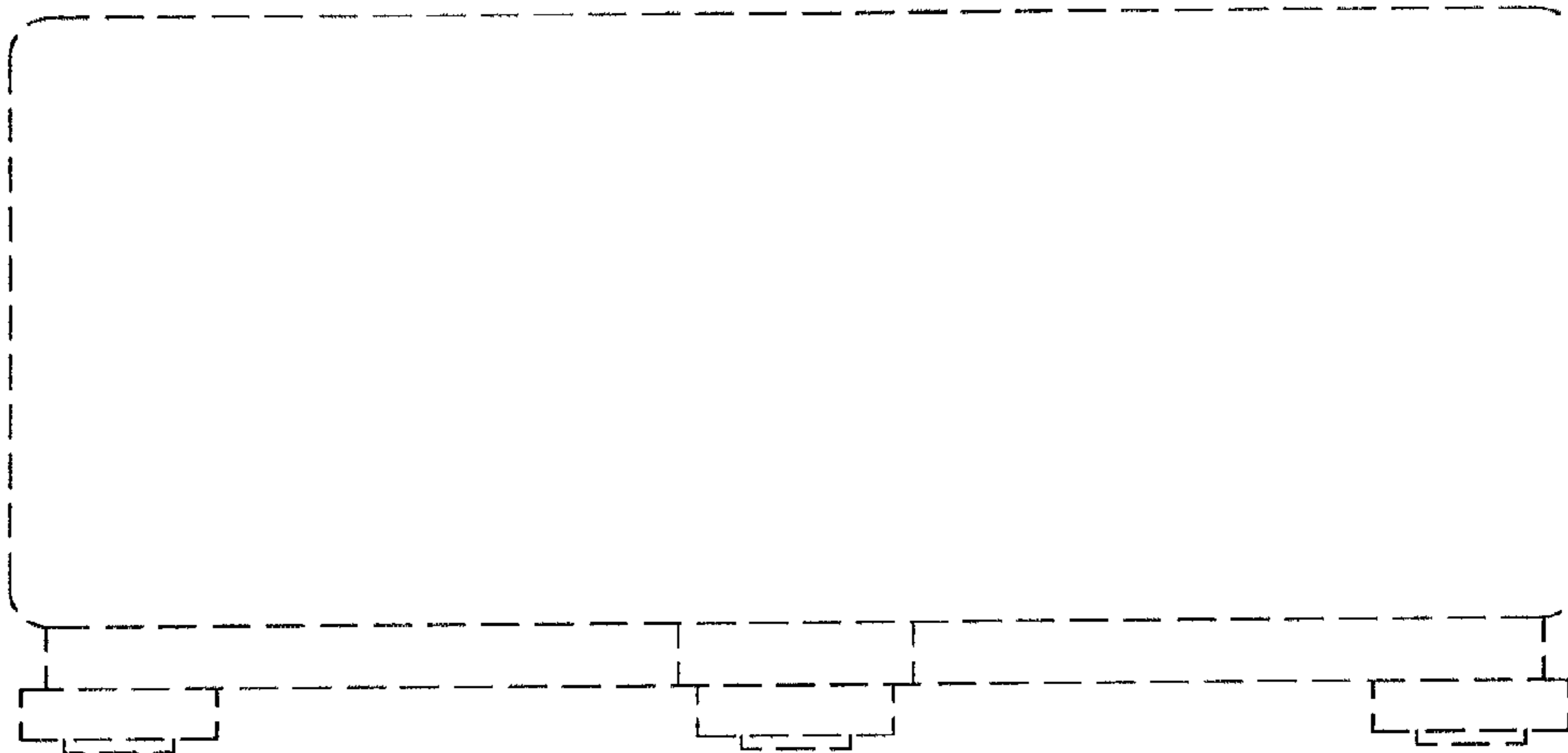


FIG. 3

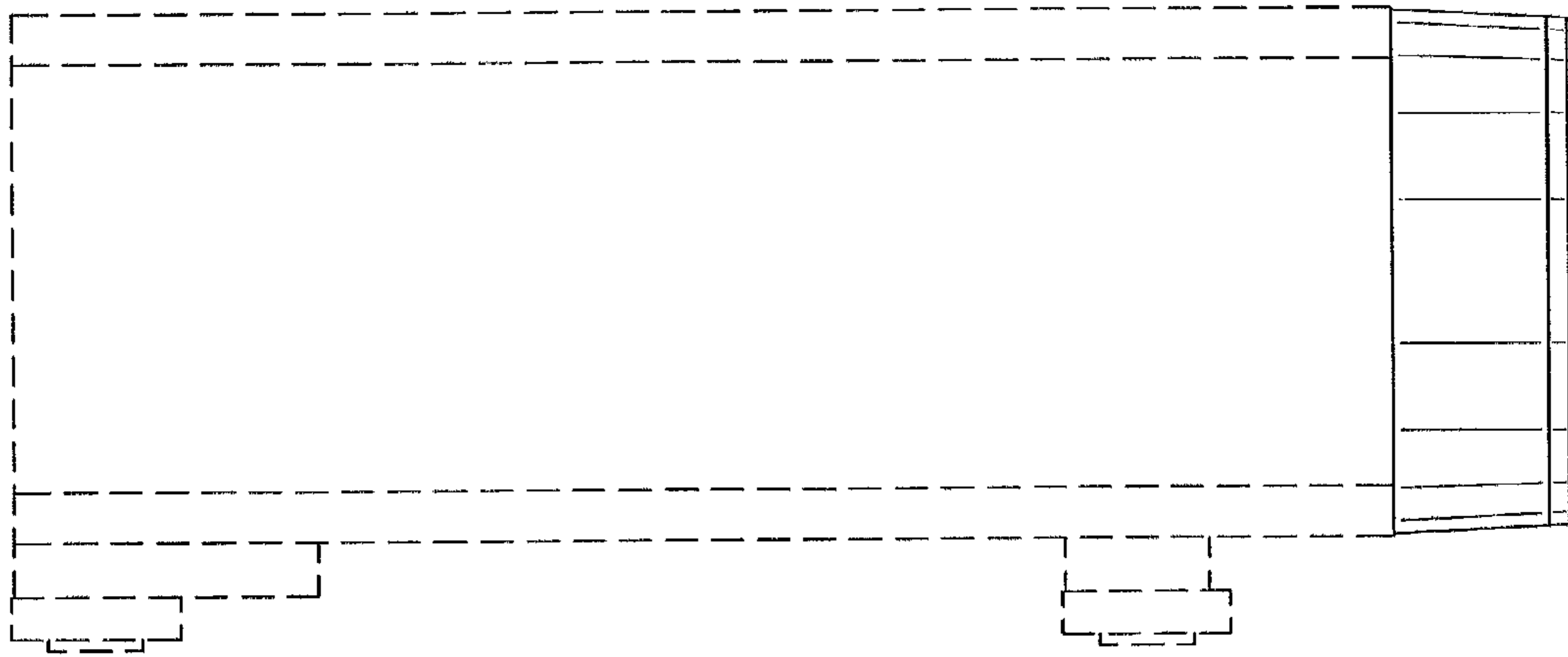


FIG. 4

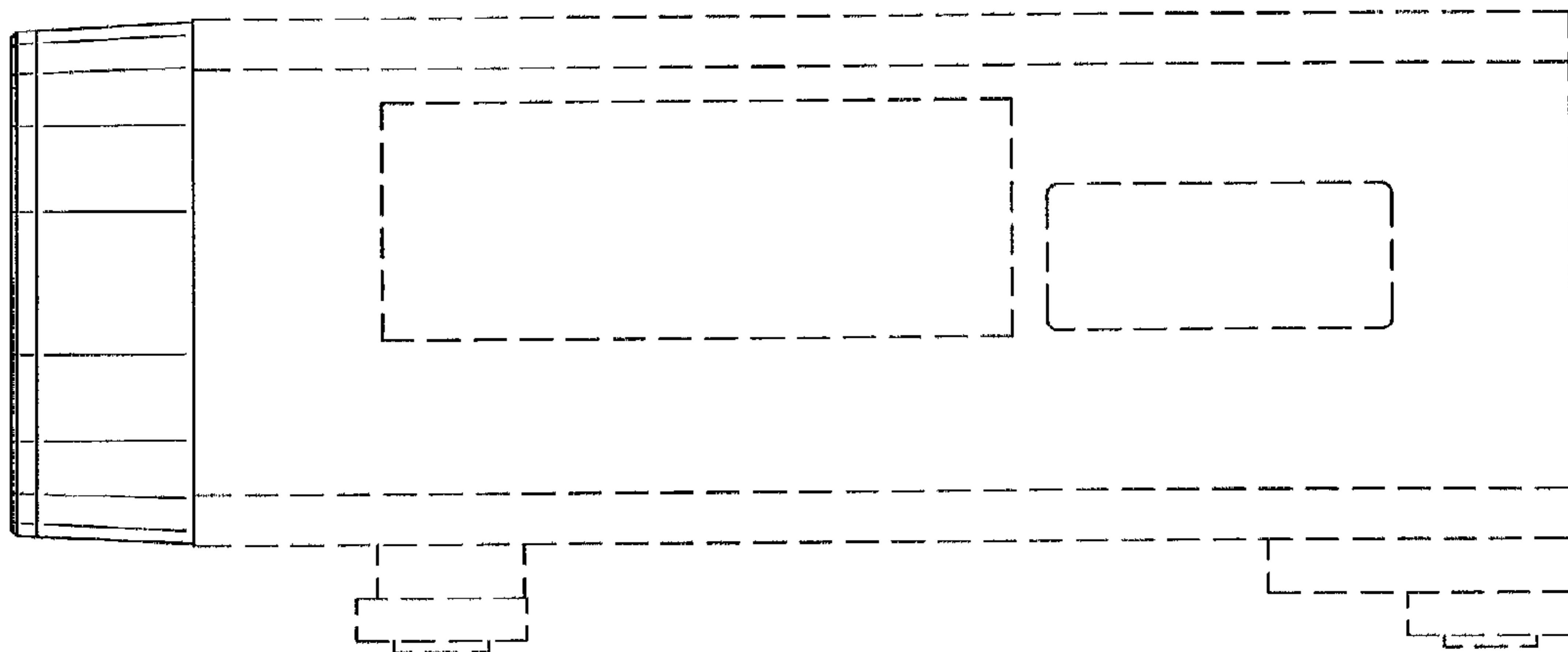


FIG. 5

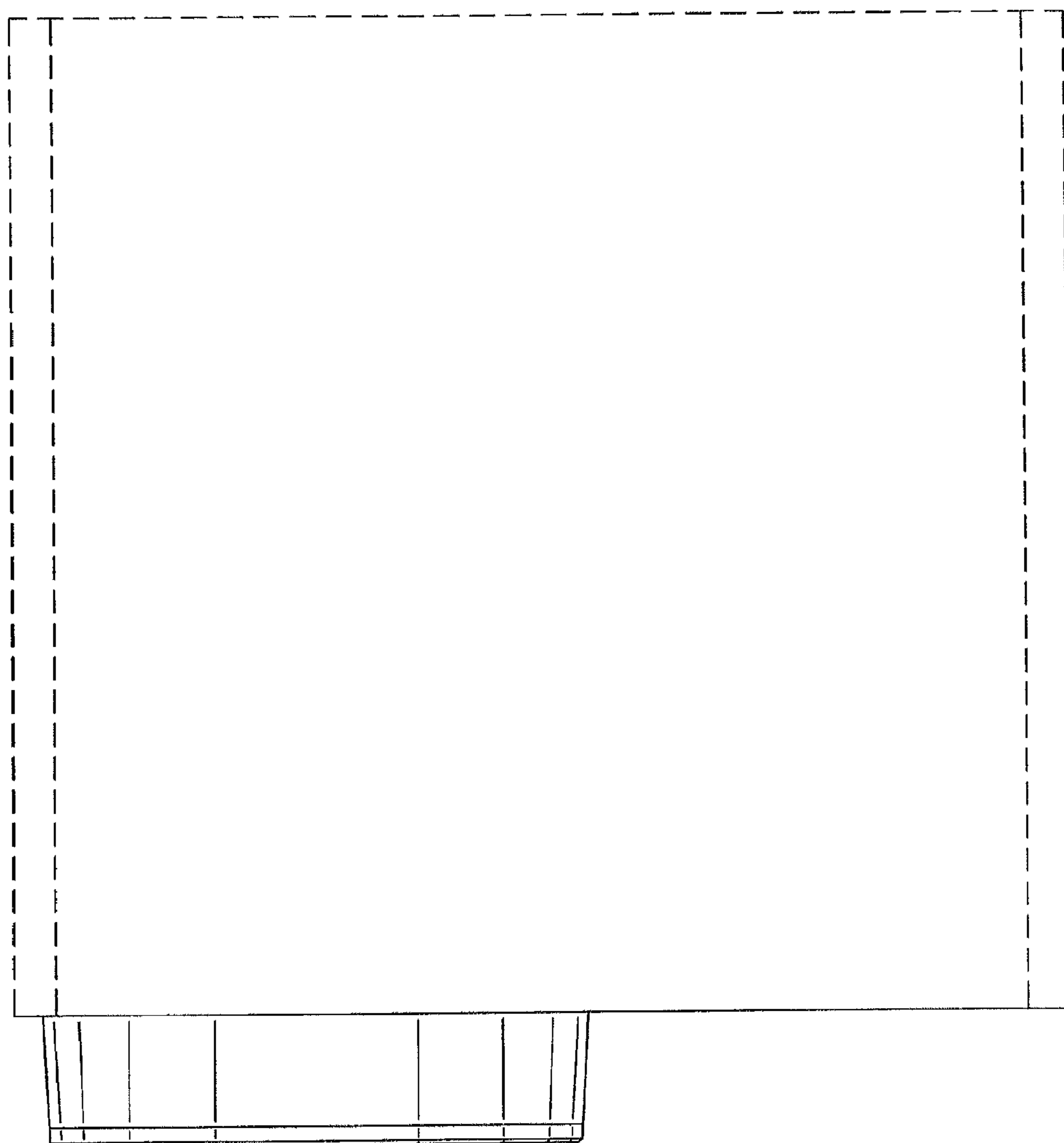


FIG. 6

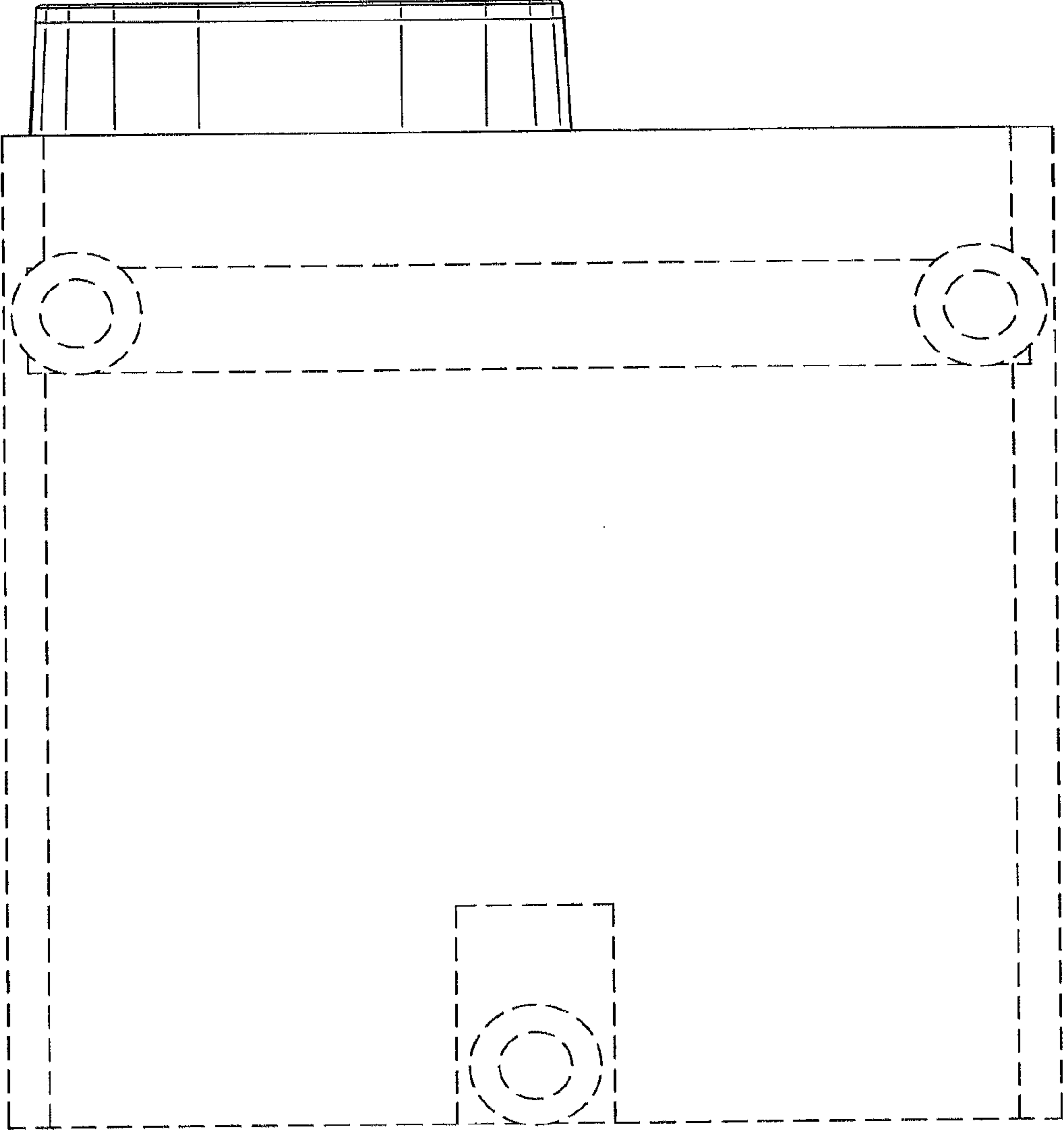


FIG. 7