



US00D661721S

(12) **United States Design Patent**  
**Fujikawa et al.**

(10) **Patent No.:** **US D661,721 S**  
(45) **Date of Patent:** **\*\* Jun. 12, 2012**

(54) **PROJECTOR**

(75) Inventors: **Yuko Fujikawa**, Shiojiri (JP); **Saeko Inoue**, Matsumoto (JP); **Hiroto Miyauchi**, Matsumoto (JP); **Takayuki Sakurai**, Matsumoto (JP)

(73) Assignee: **Seiko Epson Corporation**, Tokyo (JP)

(\*\*) Term: **14 Years**

(21) Appl. No.: **29/399,774**

(22) Filed: **Aug. 18, 2011**

(30) **Foreign Application Priority Data**

Apr. 28, 2011 (JP) ..... 2011-009946

(51) **LOC (9) Cl.** ..... **16-02**

(52) **U.S. Cl.** ..... **D16/230; D16/225**

(58) **Field of Classification Search** ..... D16/208,  
D16/221, 225, 230-231, 234; D21/514;  
353/115, 119, 122

See application file for complete search history.

(56) **References Cited**

**U.S. PATENT DOCUMENTS**

3,269,793 A \* 8/1966 White, Jr. .... D16/230  
D327,905 S \* 7/1992 Kamijima et al. .... D16/223

D391,592 S \* 3/1998 Sakamoto et al. .... D16/231  
D551,690 S \* 9/2007 Kawabe et al. .... D16/230  
D588,619 S \* 3/2009 Kawabe et al. .... D16/230  
D606,109 S \* 12/2009 Tatara et al. .... D16/230  
D606,110 S \* 12/2009 Inoue et al. .... D16/230  
D640,303 S \* 6/2011 Tatara et al. .... D16/230  
D647,121 S \* 10/2011 Kawabe et al. .... D16/230

\* cited by examiner

*Primary Examiner* — Wan Laymon

(74) *Attorney, Agent, or Firm* — Oliff & Berridge, PLC

(57) **CLAIM**

The ornamental design for a projector, as shown and described.

**DESCRIPTION**

FIG. 1 is a top, front, right-side perspective view of a projector;

FIG. 2 is a top, rear, left-side perspective view thereof;

FIG. 3 is front view thereof;

FIG. 4 is a rear view thereof;

FIG. 5 is a left-side view thereof;

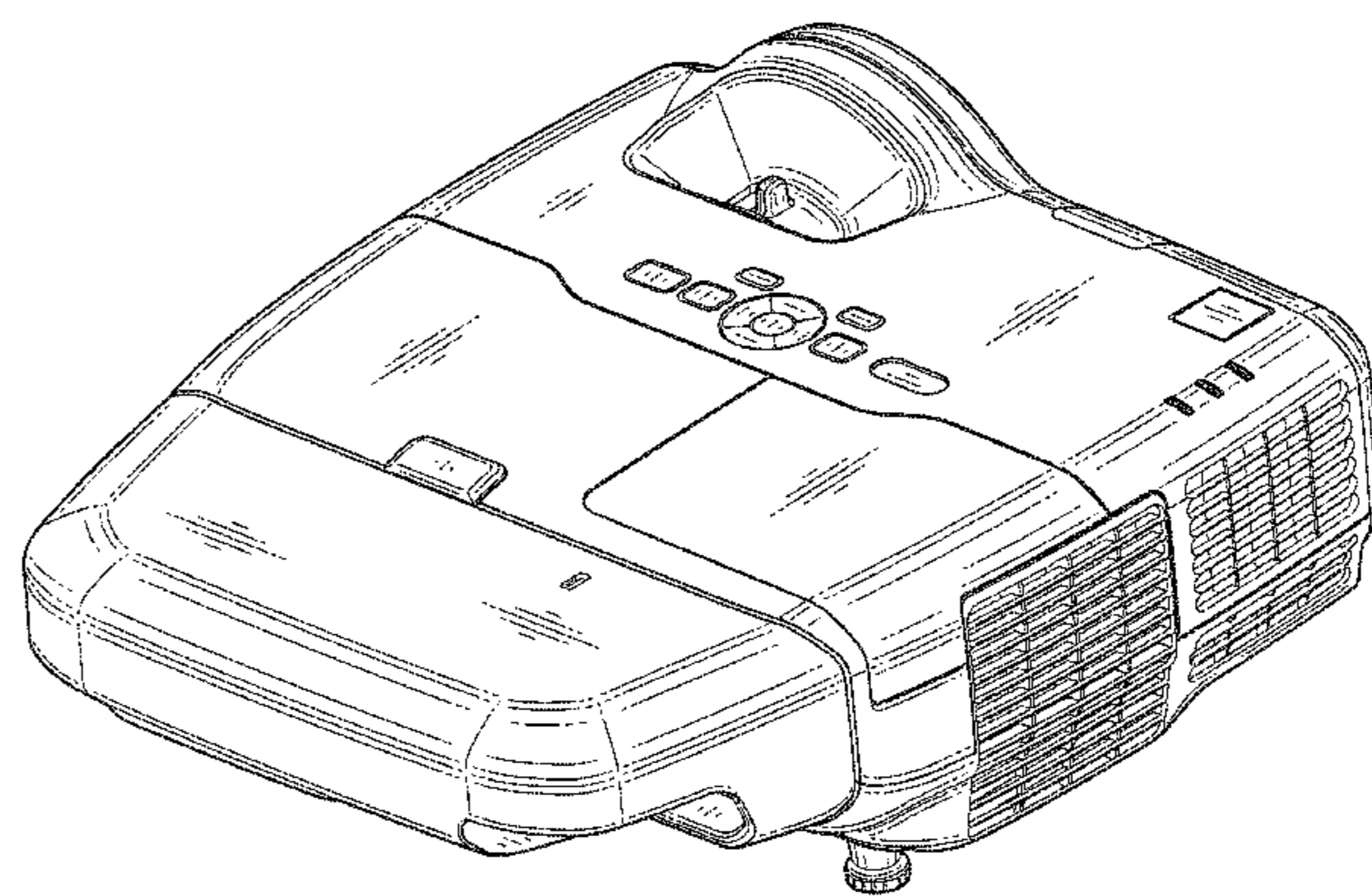
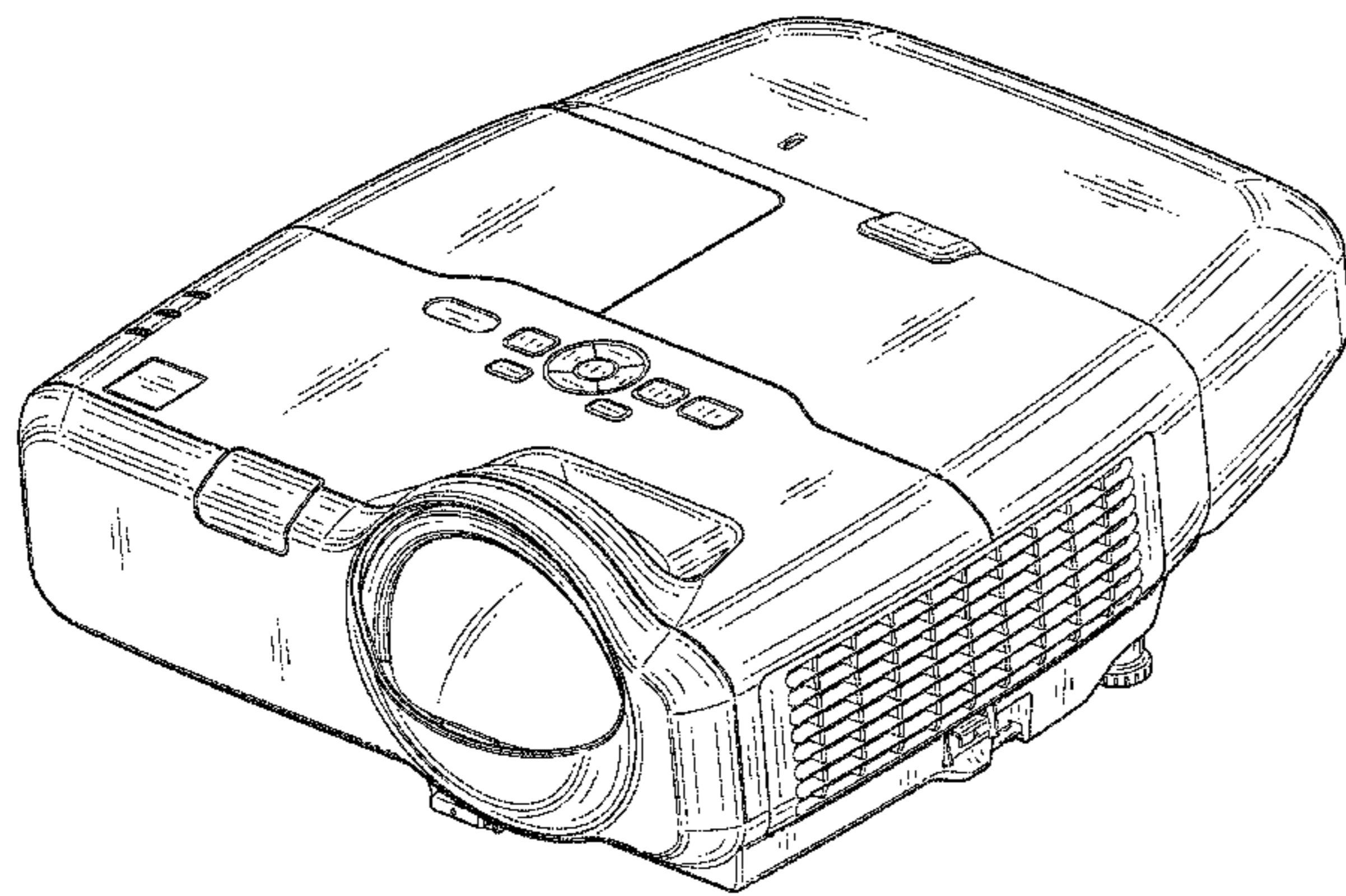
FIG. 6 is a right-side view thereof;

FIG. 7 is a top view thereof; and,

FIG. 8 is a bottom view thereof.

The broken lines shown in FIG. 4 represent portions of the projector that form no part of the claimed design.

**1 Claim, 7 Drawing Sheets**



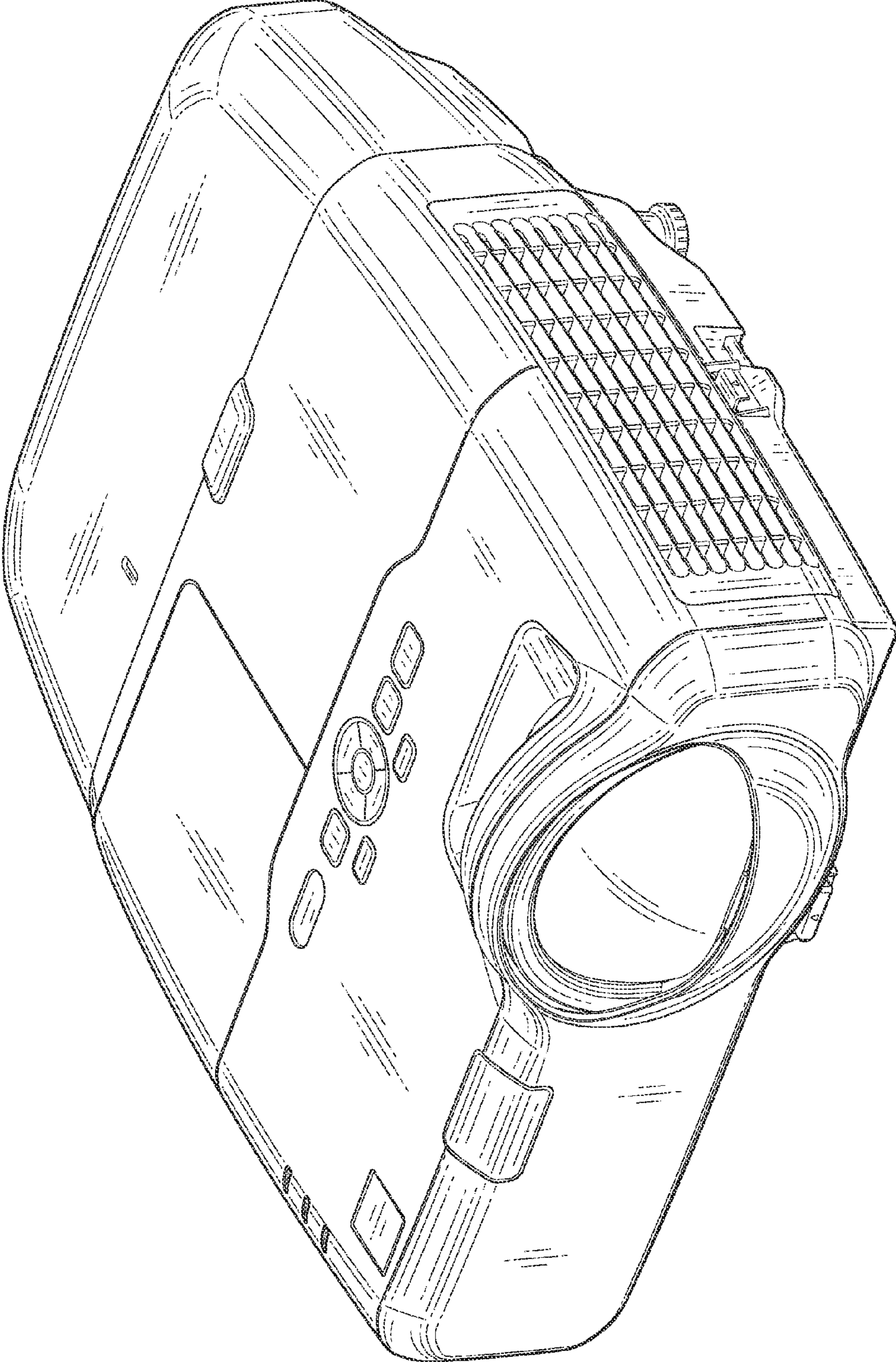


FIG. 1

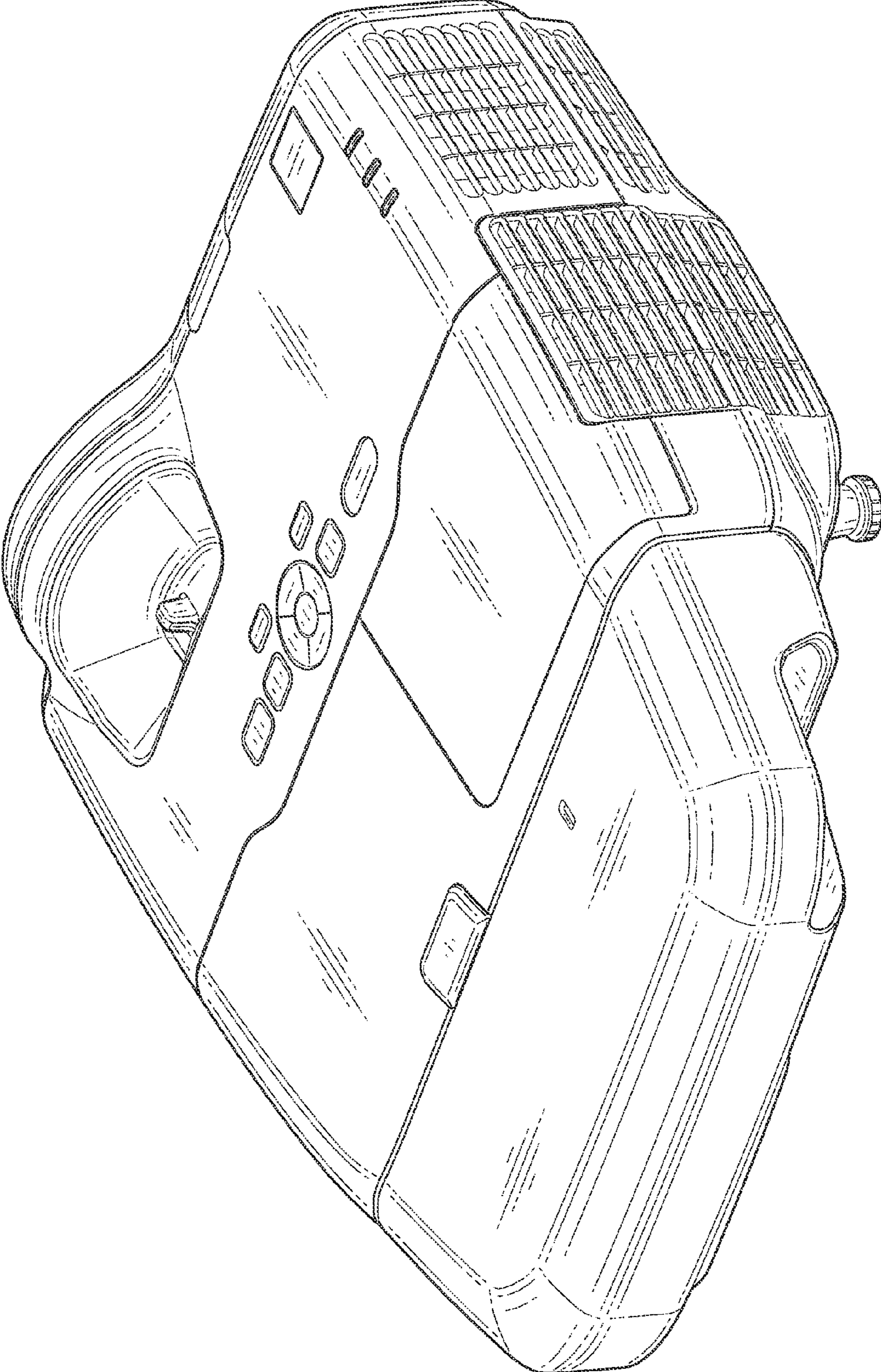


FIG. 2

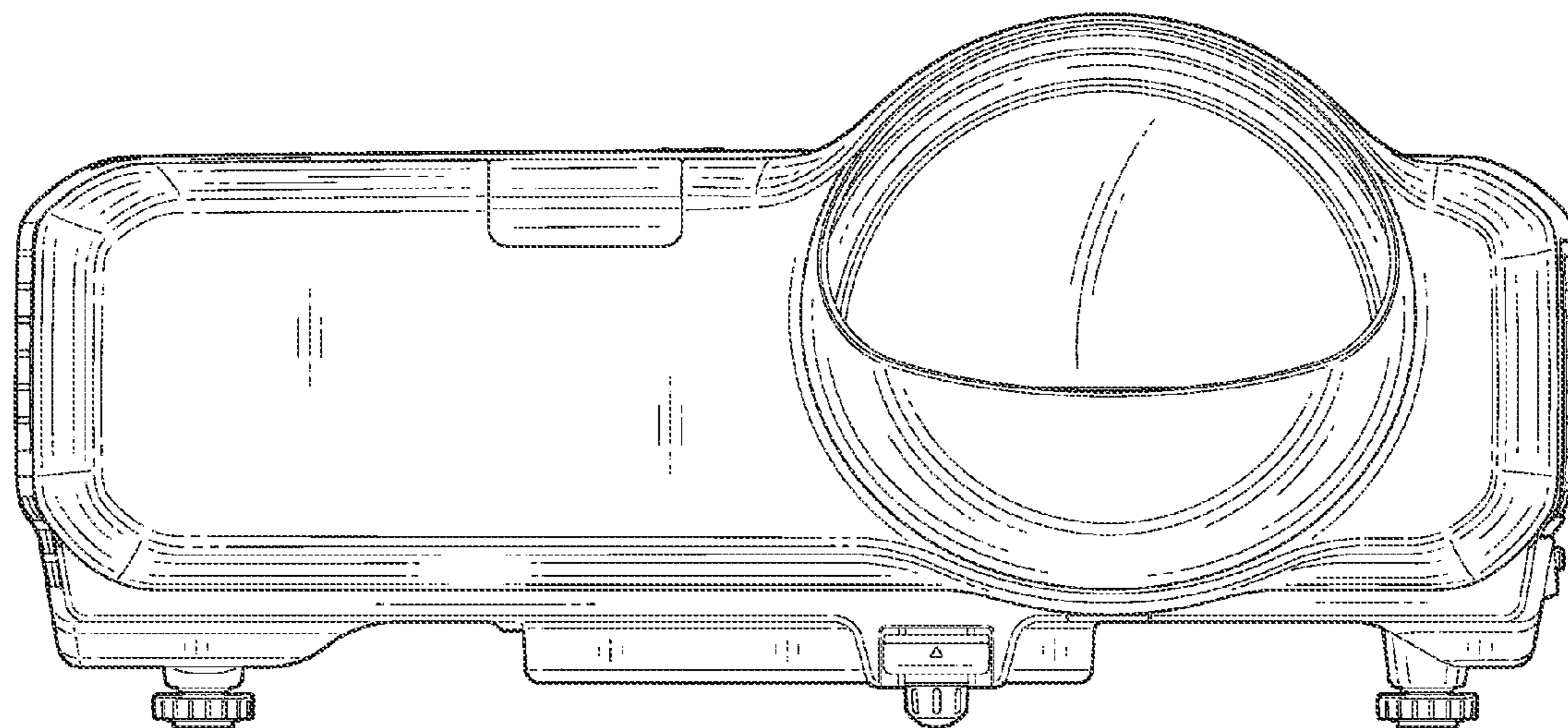


FIG. 3

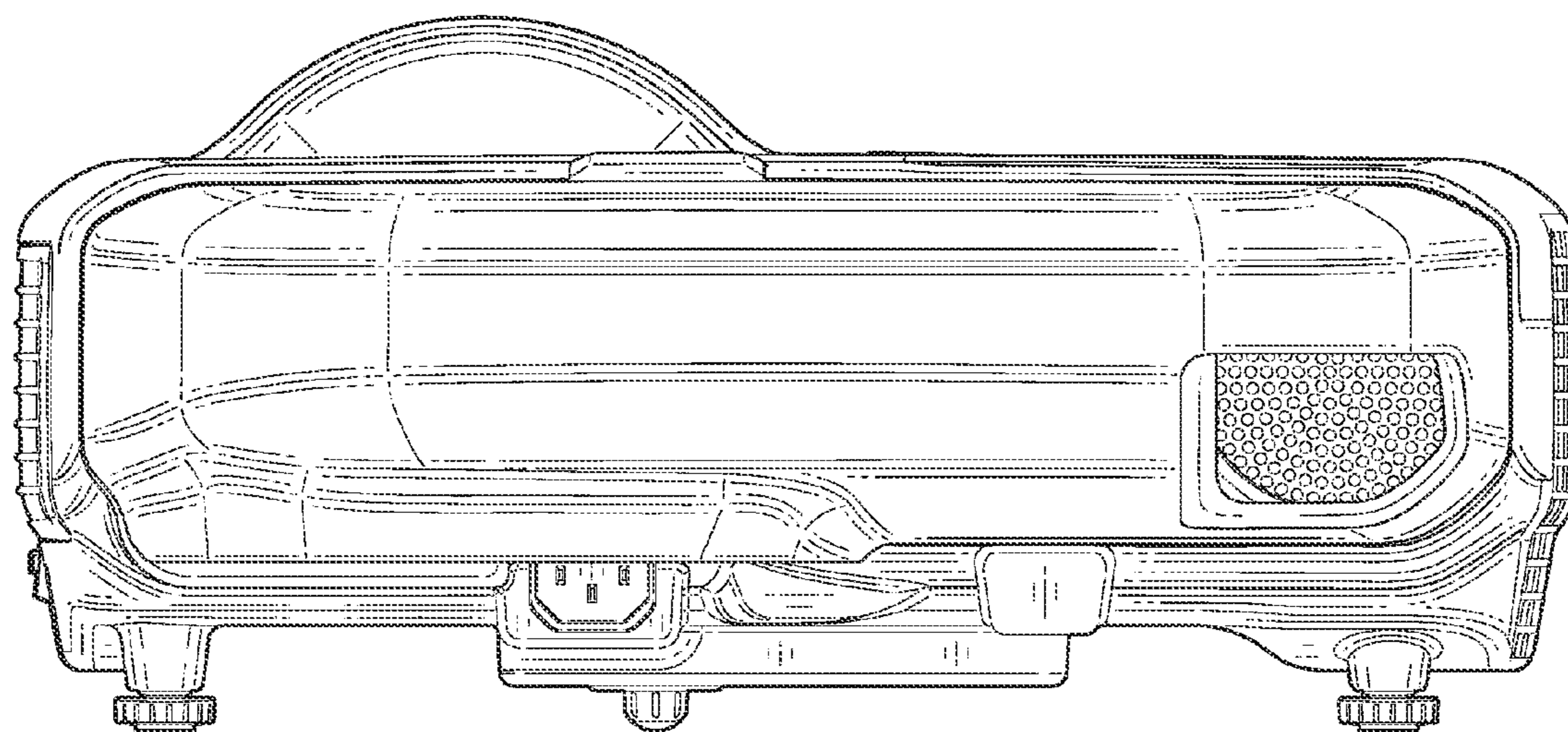


FIG. 4

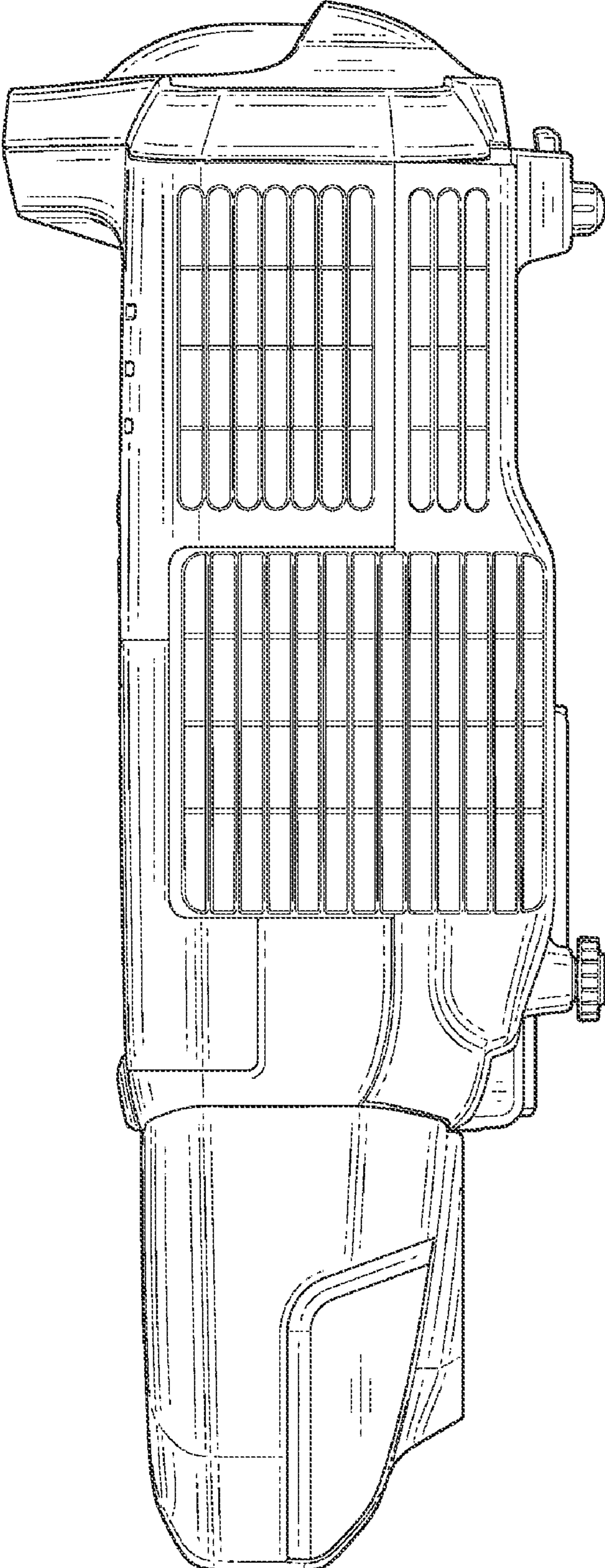


FIG. 5

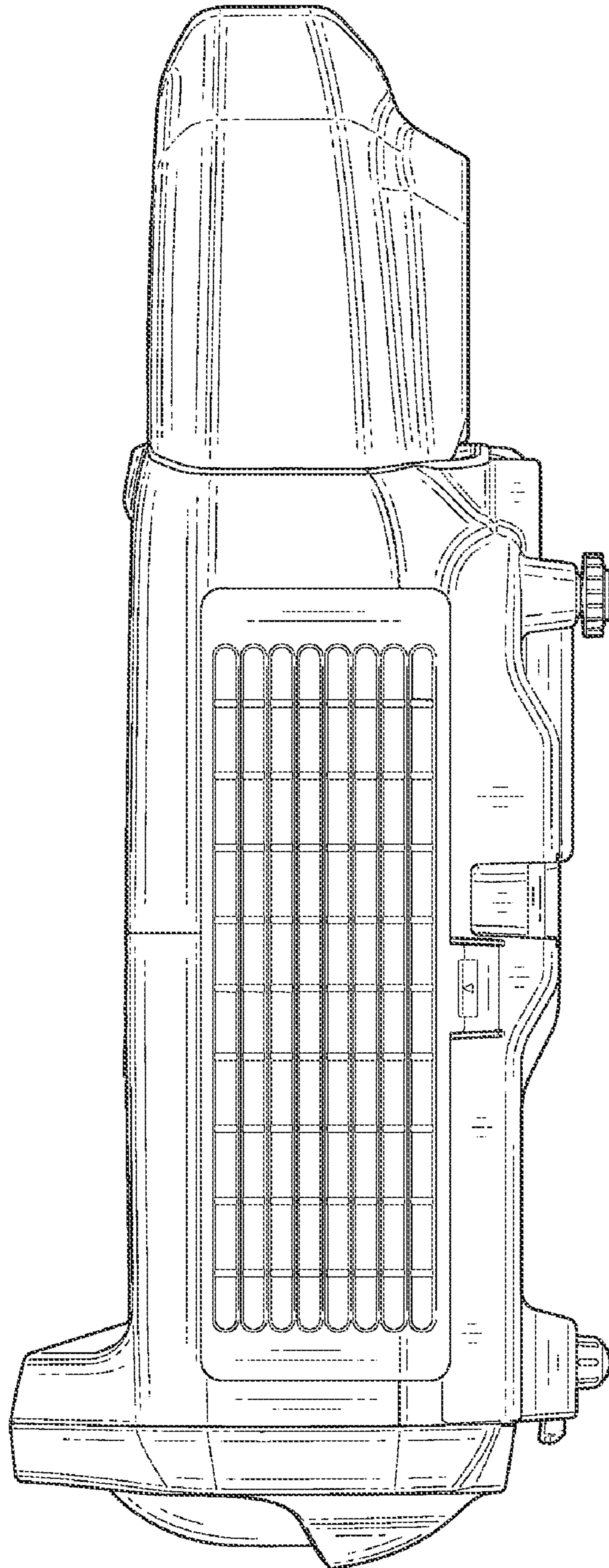


FIG. 6

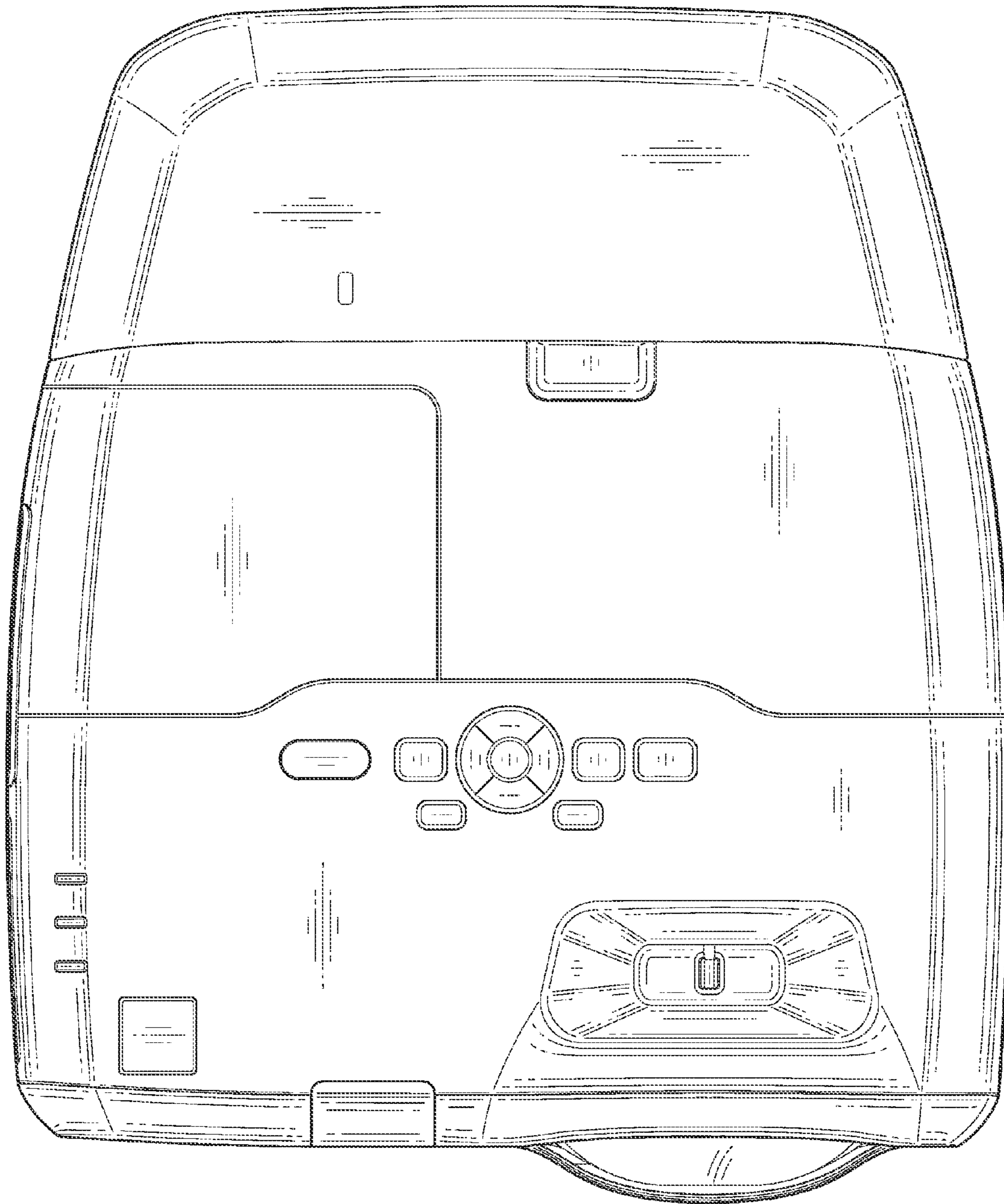


FIG. 7

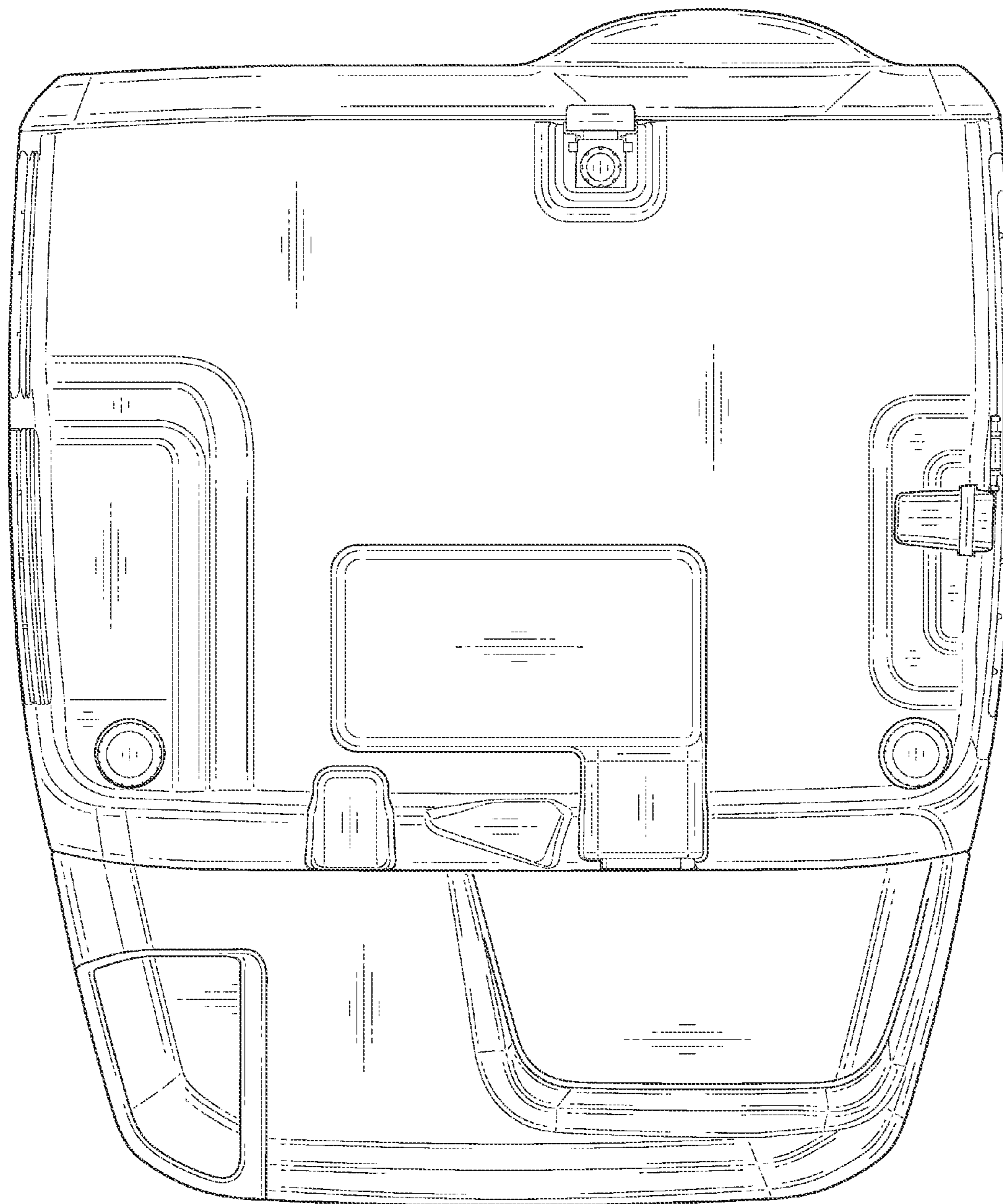


FIG. 8