

US00D661720S

(12) **United States Design Patent**
Kaplan et al.

(10) **Patent No.:** **US D661,720 S**
(45) **Date of Patent:** **** Jun. 12, 2012**

(54) **DIGITAL VIDEO CAMERA WITH
RETRACTABLE DATA CONNECTOR**

(75) Inventors: **Jonathan Kaplan**, San Francisco, CA
(US); **Ariel Braunstein**, San Francisco,
CA (US); **John Furlan**, Belmont, CA
(US)

(73) Assignee: **Cisco Technology, Inc.**, San Jose, CA
(US)

(**) Term: **14 Years**

(21) Appl. No.: **29/380,311**

(22) Filed: **Dec. 2, 2010**

Related U.S. Application Data

(63) Continuation of application No. 11/497,039, filed on
Jul. 31, 2006, now Pat. No. 7,893,990.

(51) **LOC (9) Cl.** **16-05**

(52) **U.S. Cl.** **D16/219; D16/202**

(58) **Field of Classification Search** D13/147;
D14/433, 480.1-480.7; 348/373-376; 439/131,
439/501, 502

See application file for complete search history.

(56) **References Cited**

U.S. PATENT DOCUMENTS

D511,344	S	11/2005	Takei	
7,025,275	B2	4/2006	Huang et al.	
D536,358	S *	2/2007	Hanafusa	D16/219
D607,914	S *	1/2010	Kaplan et al.	D16/219
D608,813	S *	1/2010	Hong et al.	D16/218
D611,944	S	3/2010	Kujawski et al.	
D617,821	S *	6/2010	Kaplan et al.	D16/202
7,755,323	B2 *	7/2010	Wu	439/501
D621,433	S *	8/2010	Kaplan et al.	D16/219
D621,434	S	8/2010	Sheppard et al.	
D633,935	S *	3/2011	Kaplan et al.	D16/219
2007/0066130	A1	3/2007	Mori et al.	

* cited by examiner

Primary Examiner — Adir Aronovich

(74) *Attorney, Agent, or Firm* — Patterson & Sheridan, LLP

(57) **CLAIM**

The ornamental design for an digital video camera with retractable data, as shown and described.

DESCRIPTION

FIG. 1 is a front elevational view of an digital video camera with retractable data connector showing our new design;

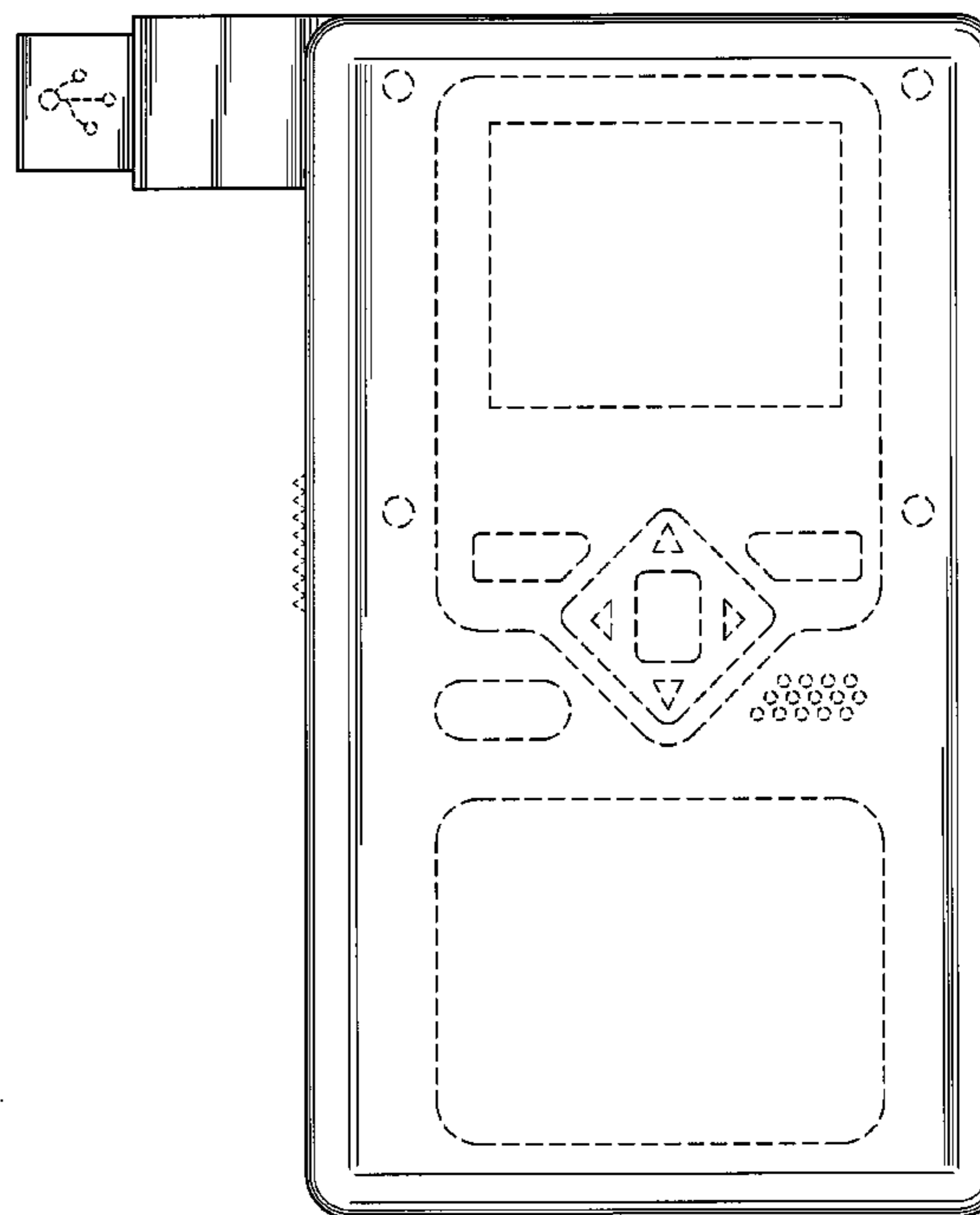
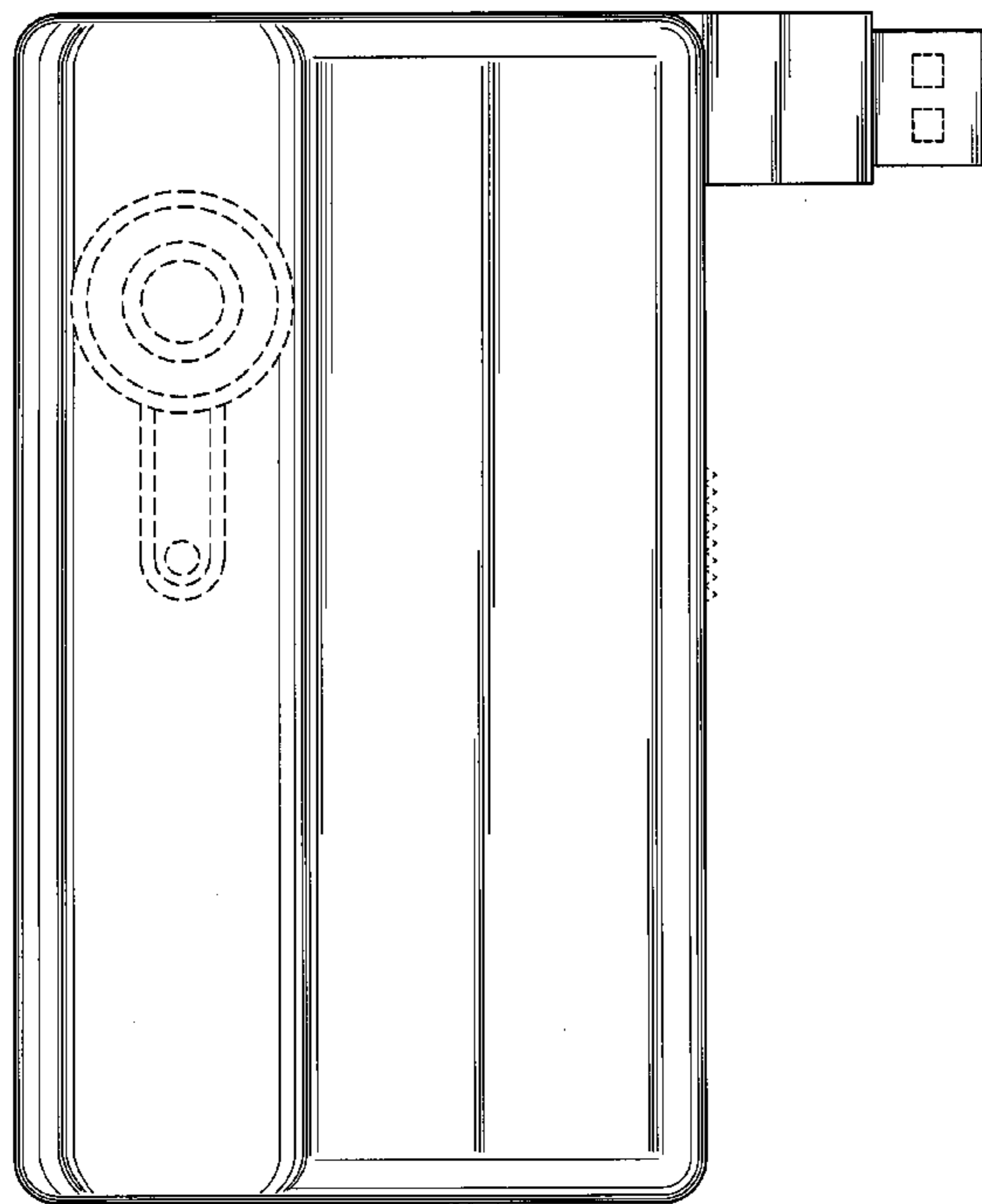
FIG. 2 is a rear elevational view thereof;

FIG. 3 is a right side elevational view thereof; and,

FIG. 4 is a bottom plan view thereof.

The portions of the camera in broken lines are shown to illustrate environment only and form no part of the claimed design.

1 Claim, 4 Drawing Sheets



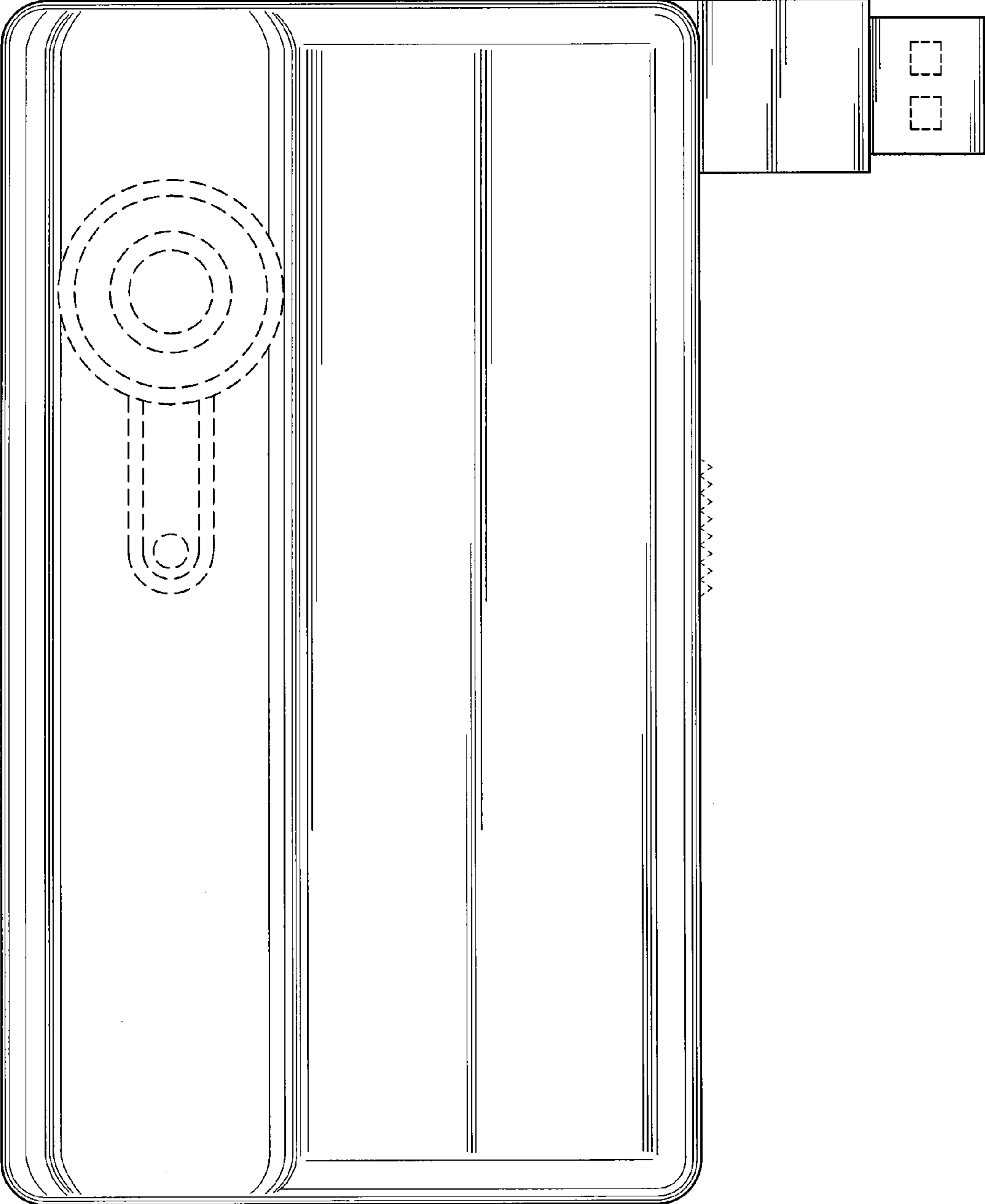


FIG. 1

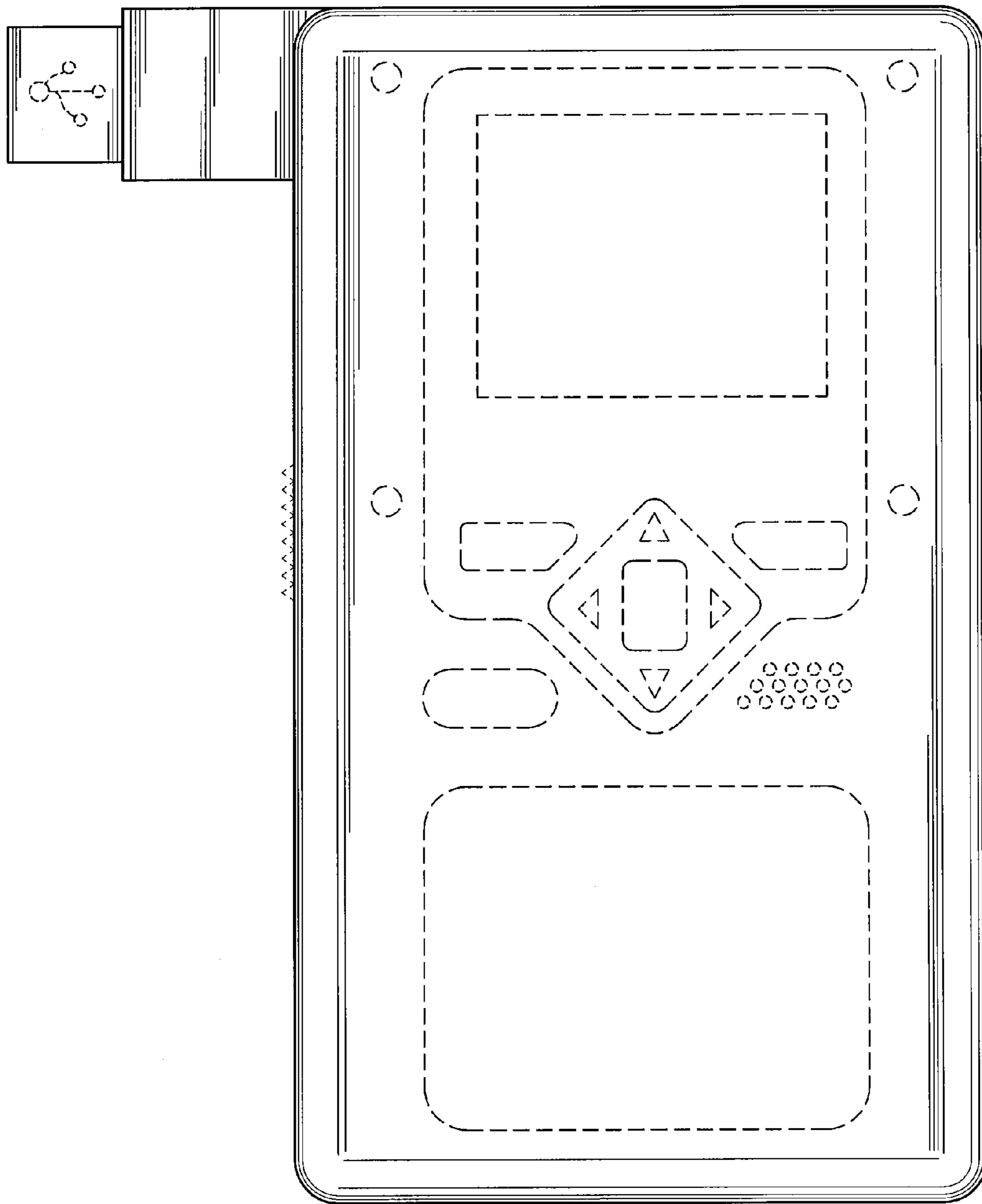


FIG. 2

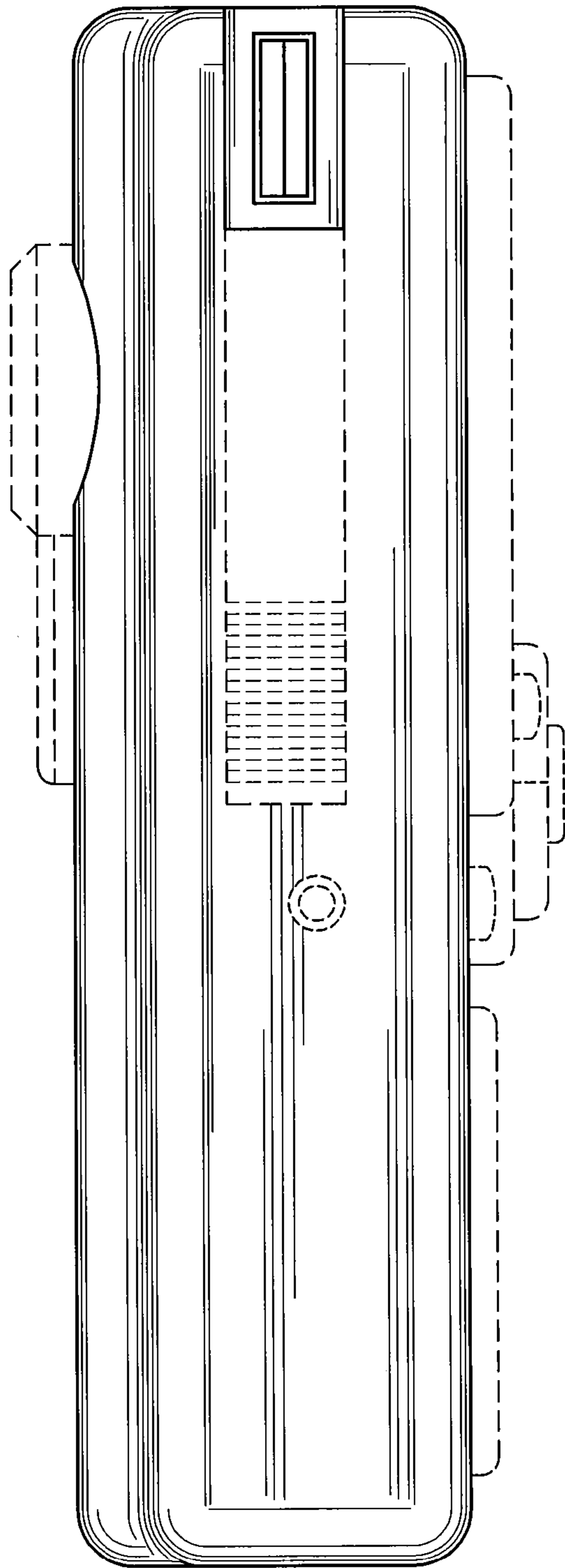


FIG.3

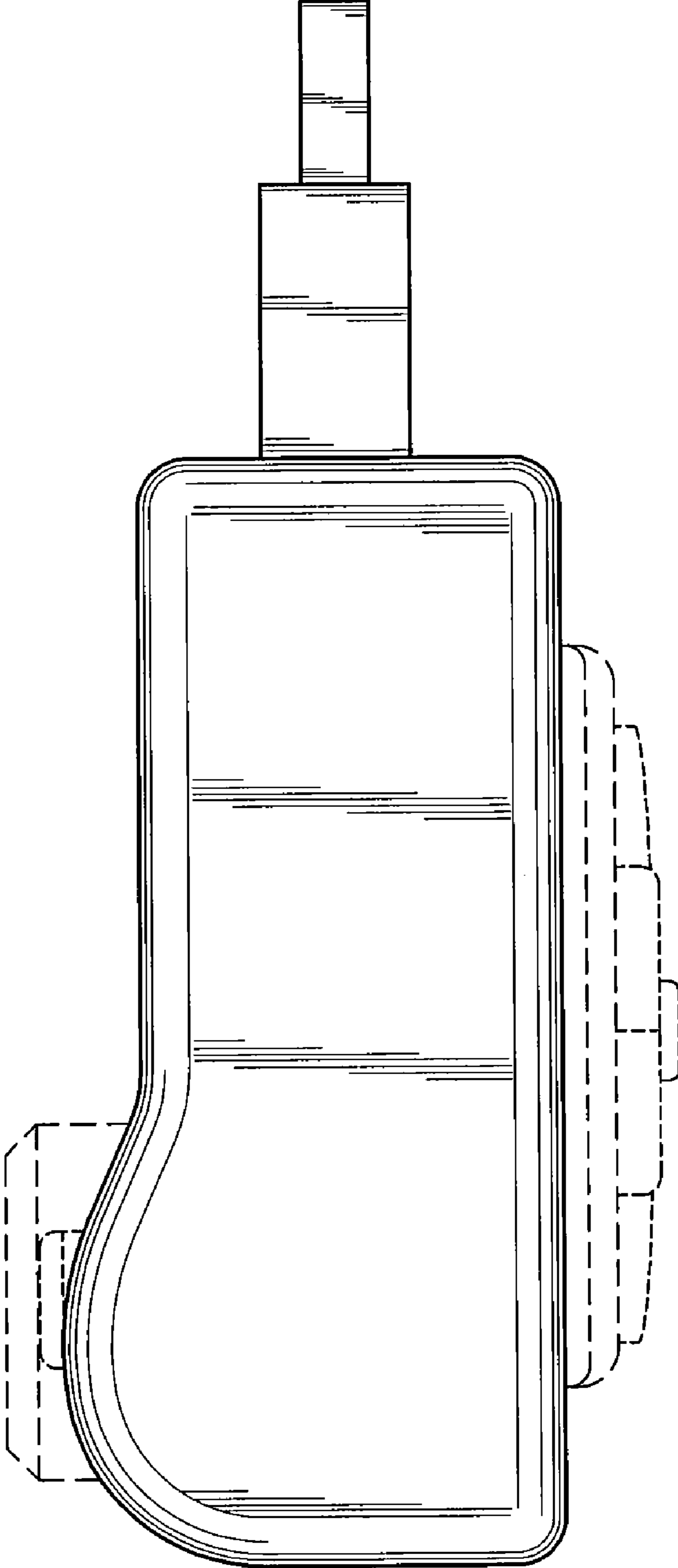


FIG. 4

UNITED STATES PATENT AND TRADEMARK OFFICE
CERTIFICATE OF CORRECTION

PATENT NO. : D661,720 S
APPLICATION NO. : 29/380311
DATED : June 12, 2012
INVENTOR(S) : Kaplan et al.

Page 1 of 1

It is certified that error appears in the above-identified patent and that said Letters Patent is hereby corrected as shown below:

Title Page, Claim:

Please insert --connector-- after data.

Signed and Sealed this
Twenty-third Day of October, 2012

A handwritten signature in black ink that reads "David J. Kappos". The signature is written in a cursive style with a large initial "D" and "K".

David J. Kappos
Director of the United States Patent and Trademark Office