



US00D661719S

(12) **United States Design Patent**
Katori et al.

(10) **Patent No.:** **US D661,719 S**
(45) **Date of Patent:** **** Jun. 12, 2012**

- (54) **SURVEILLANCE CAMERA**
- (75) Inventors: **Takehito Katori**, Fukuoka (JP); **Yasuki Yamakawa**, Fukuoka (JP)
- (73) Assignee: **Panasonic Corporation**, Osaka (JP)
- (**) Term: **14 Years**
- (21) Appl. No.: **29/401,425**
- (22) Filed: **Sep. 12, 2011**
- (51) **LOC (9) Cl.** **16-01**
- (52) **U.S. Cl.** **D16/203**
- (58) **Field of Classification Search** D16/200–205,
D16/218; 348/143, 373–376; 358/906; 396/427,
396/535–541
See application file for complete search history.

- D585,926 S 2/2009 Su et al.
 - D607,033 S * 12/2009 Arbuckle et al. D16/203
 - D633,932 S * 3/2011 Park D16/203
 - D634,345 S * 3/2011 Kim D16/203
 - D634,347 S 3/2011 Park
 - D634,768 S 3/2011 Ko
 - D635,172 S 3/2011 Ko
 - D637,640 S 5/2011 Park
 - 2008/0170121 A1* 7/2008 Su et al. 348/143
- * cited by examiner

Primary Examiner — Adir Aronovich
(74) *Attorney, Agent, or Firm* — Brinks Hofer Gilson & Lione

(57) **CLAIM**
We claim the ornamental design for a surveillance camera, as shown and described.

(56) **References Cited**

U.S. PATENT DOCUMENTS

- D307,915 S 5/1990 Kuester, III
- D340,940 S 11/1993 Ellenberger et al.
- 5,966,176 A * 10/1999 Chow et al. 348/373
- D481,407 S * 10/2003 Alessio D16/203
- D497,928 S 11/2004 Cheng-Yuan
- D514,150 S 1/2006 Muto et al.
- D515,607 S 2/2006 Cheng
- D528,144 S 9/2006 Takemasa
- D552,145 S 10/2007 Grotto
- D554,169 S 10/2007 Peng et al.
- D554,170 S 10/2007 Grotto
- D576,193 S 9/2008 Su et al.
- D578,561 S 10/2008 Dumanogullari

DESCRIPTION

FIG. 1 is a top, front and right side perspective view of a surveillance camera of the present invention;
FIG. 2 is a front elevational view thereof;
FIG. 3 is rear elevational view thereof;
FIG. 4 is a top plan view thereof;
FIG. 5 is bottom plan view thereof;
FIG. 6 is a left side view elevational thereof; and,
FIG. 7 is right side elevational view thereof.
The broken lines shown represent unclaimed subject matter and form no part of the claimed design.

1 Claim, 6 Drawing Sheets

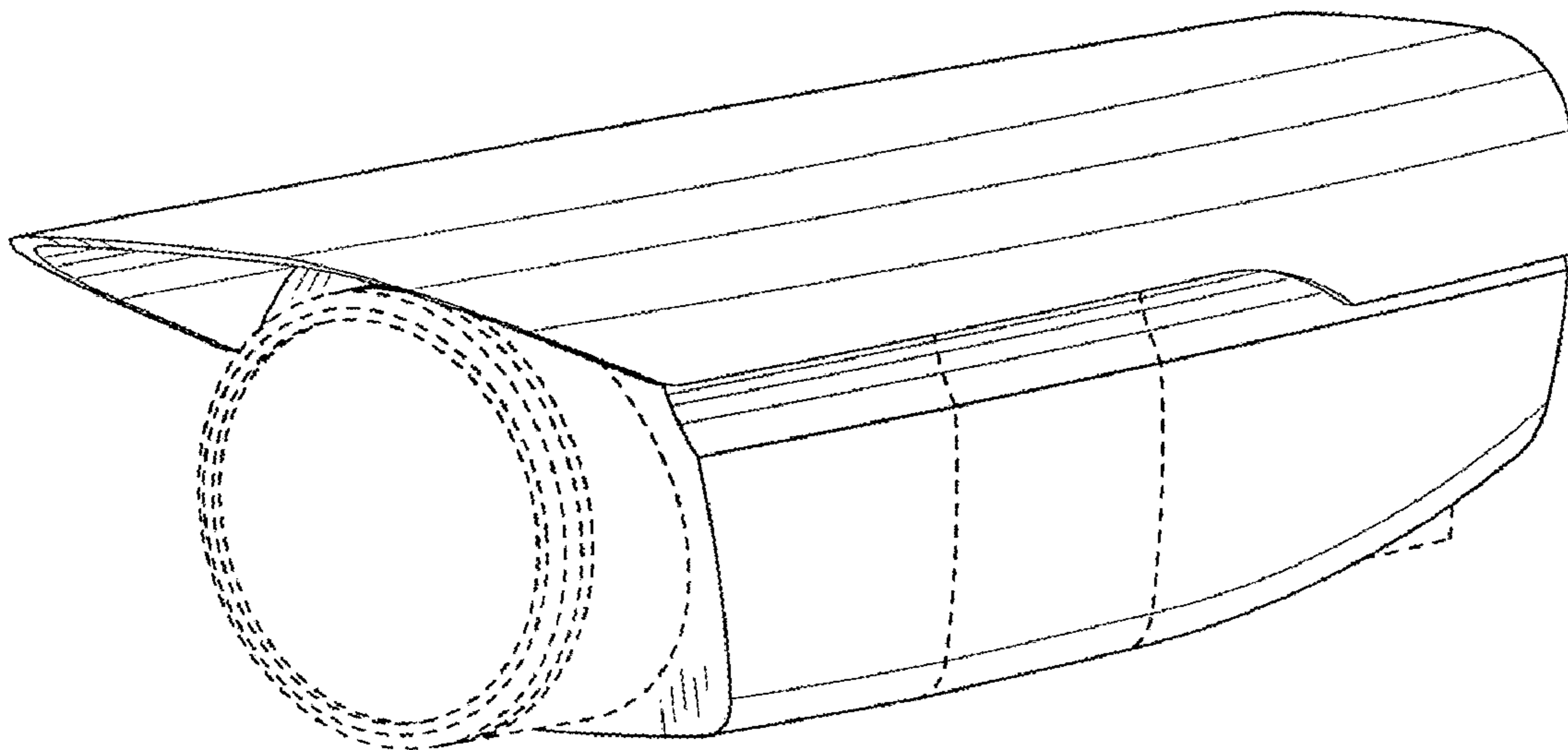


FIG. 1

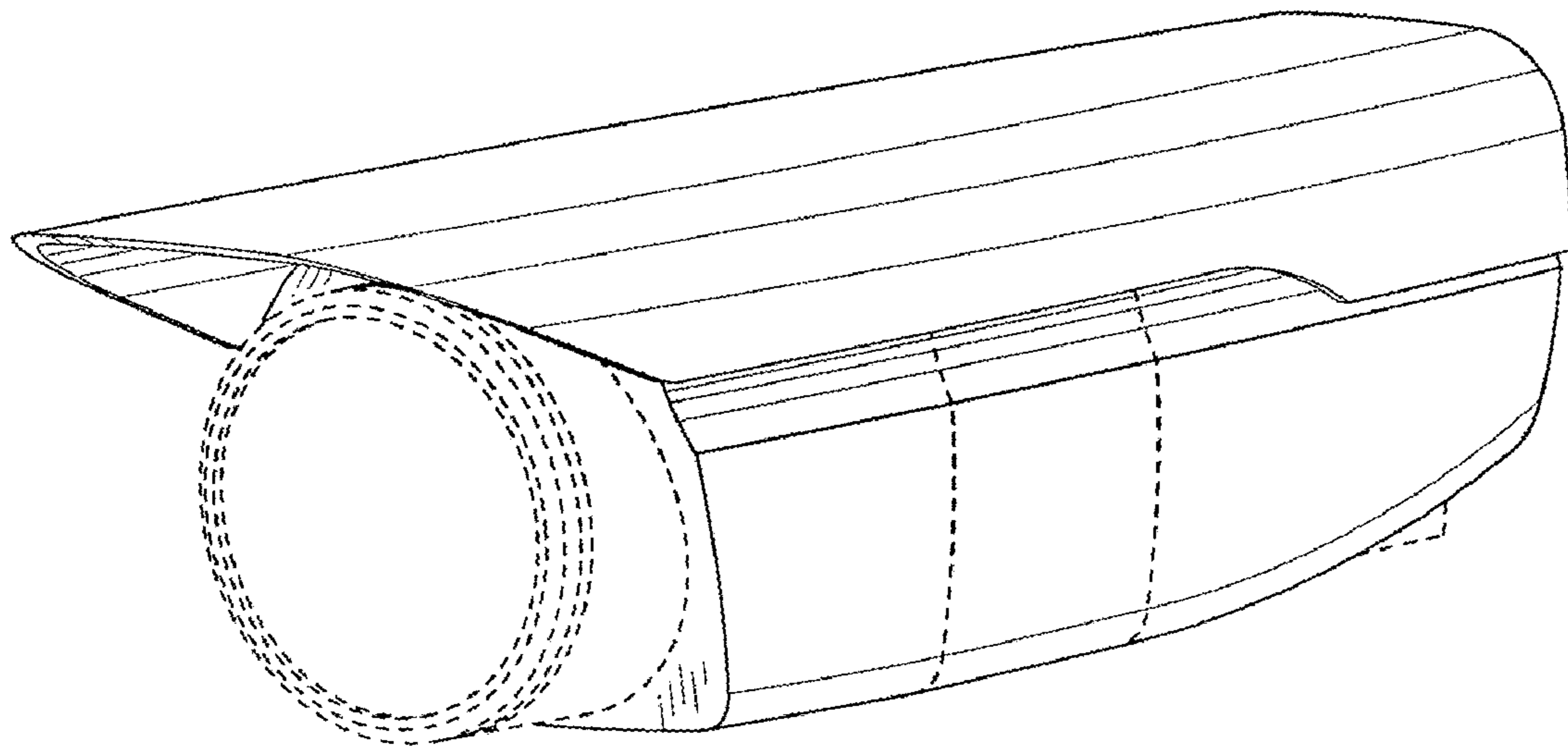


FIG.2

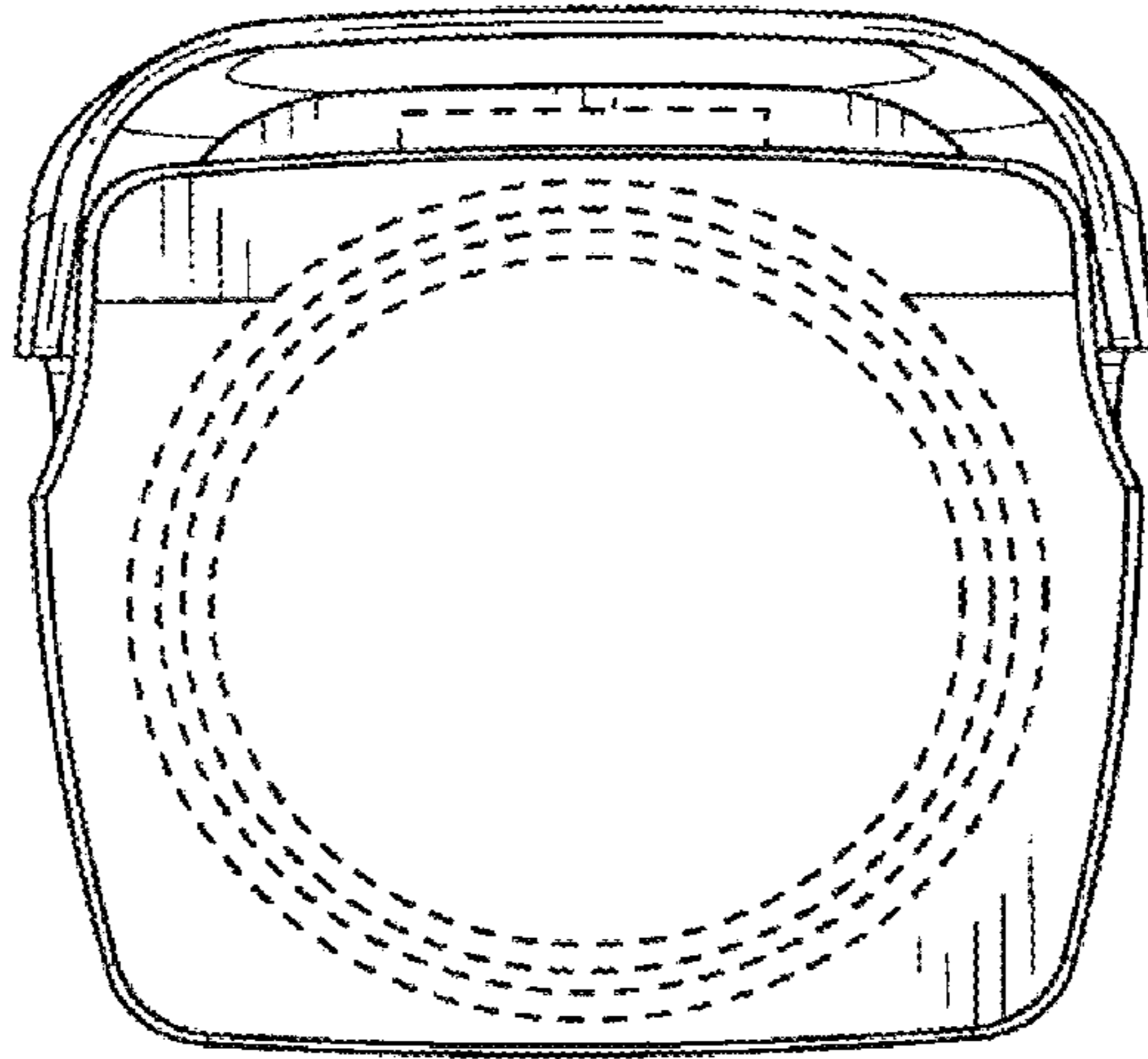


FIG.3

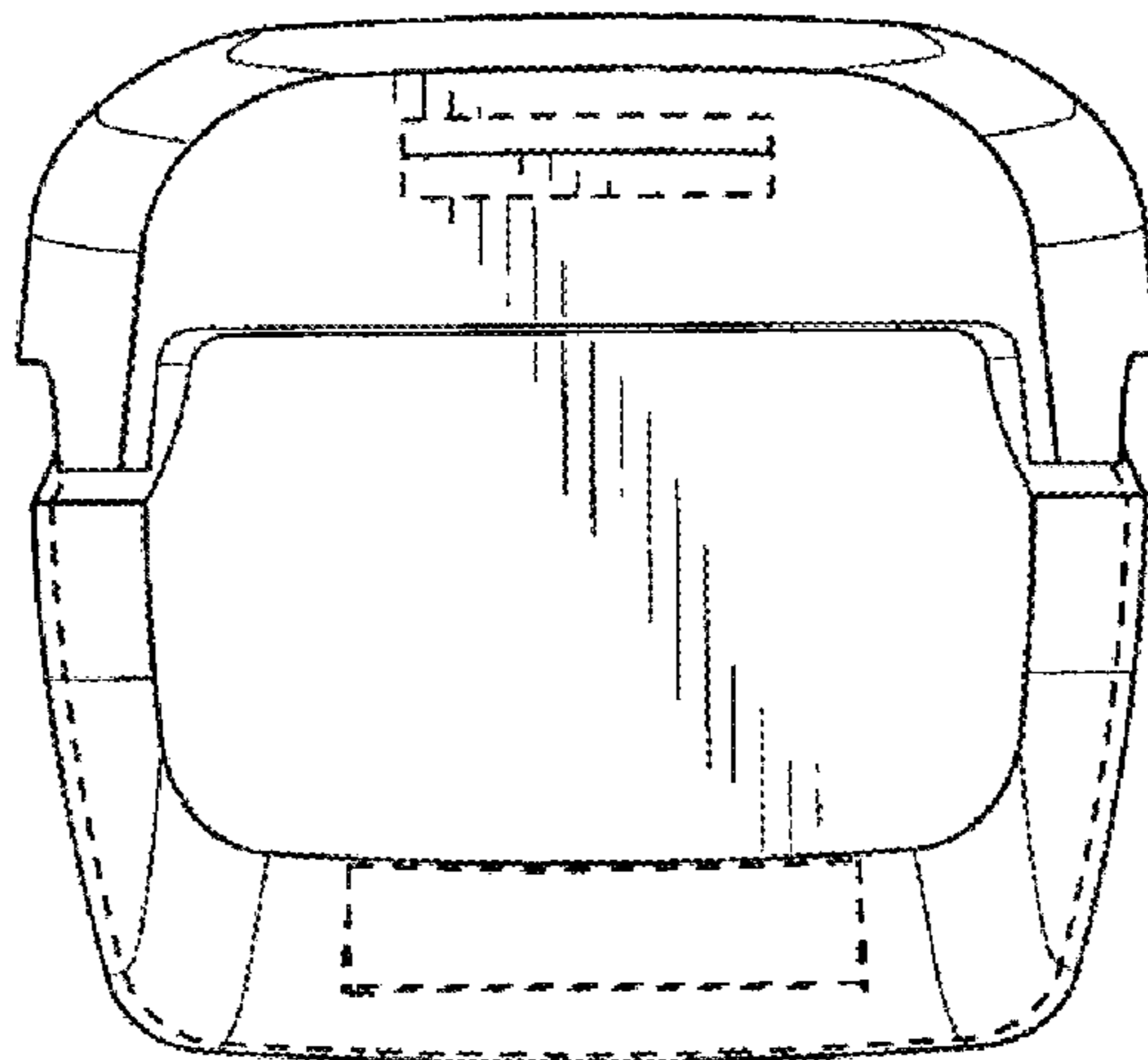


FIG. 4

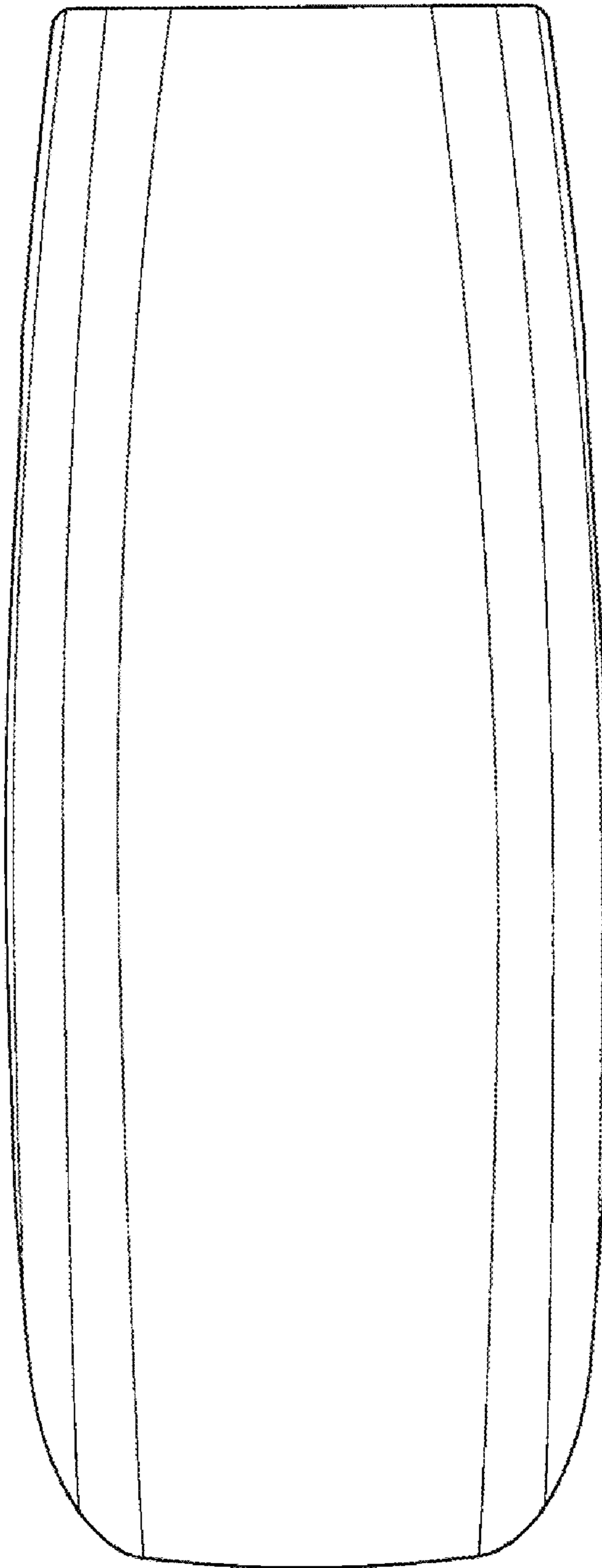


FIG. 5

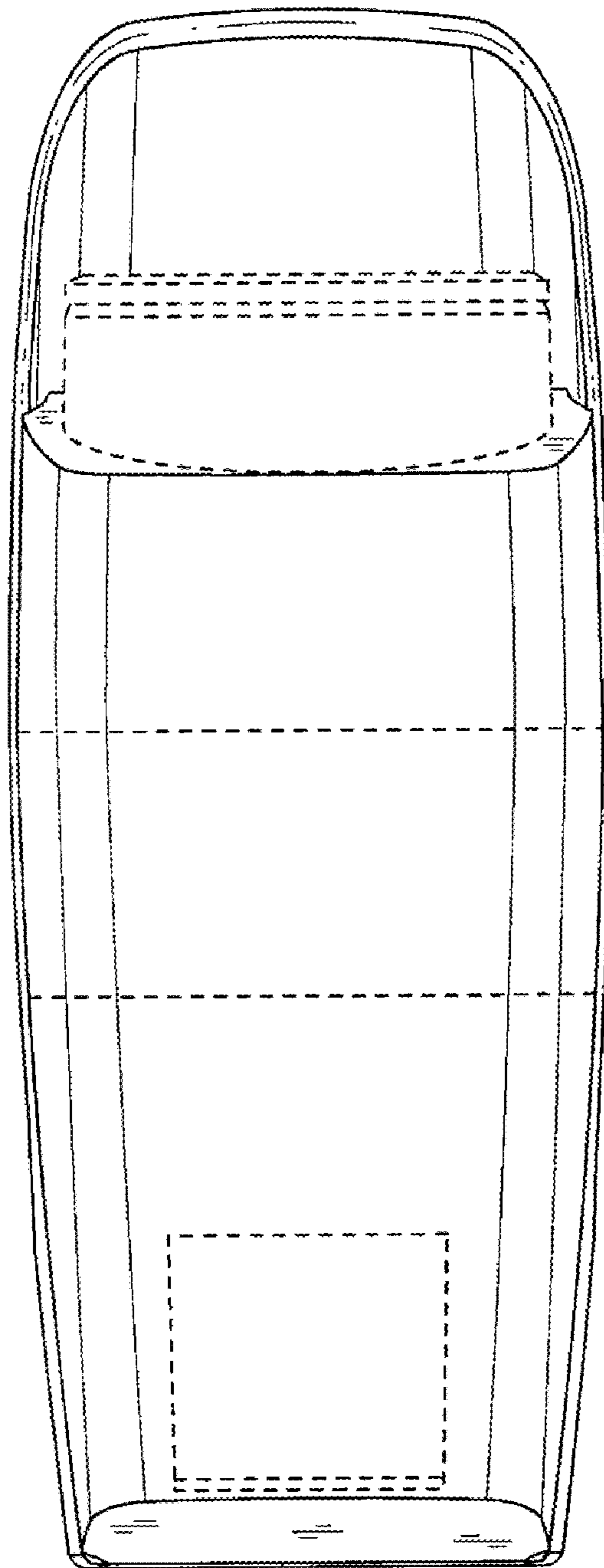


FIG.6

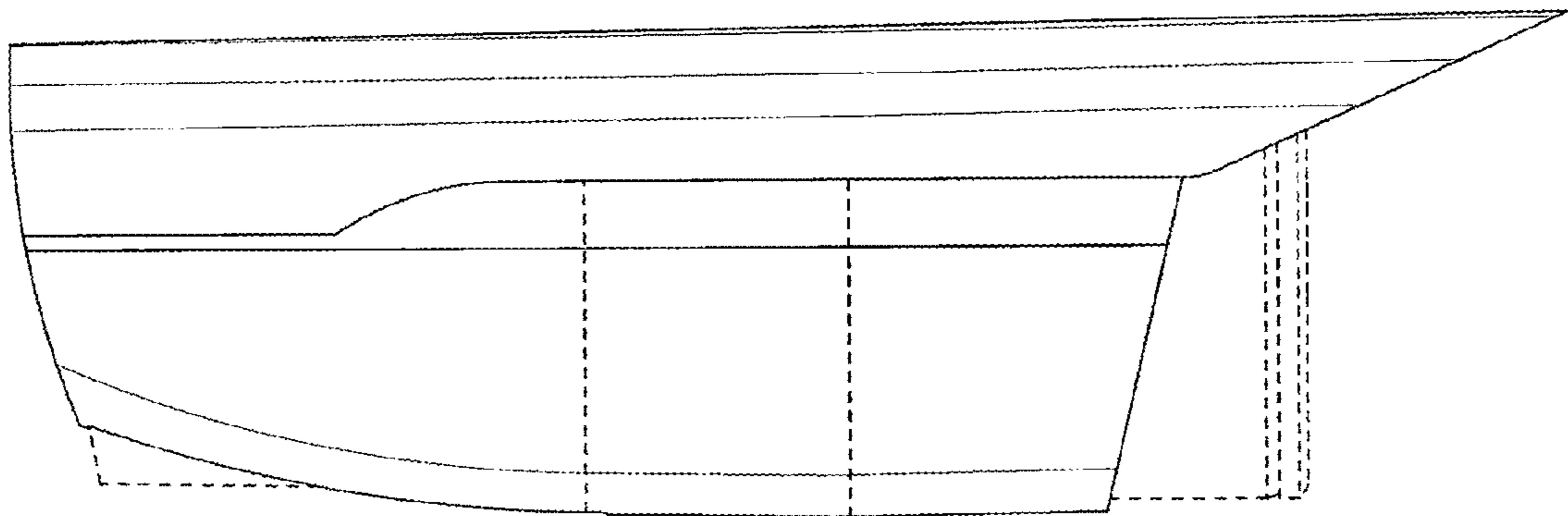


FIG. 7

