

US00D661716S

(12) **United States Design Patent**
Barrett et al.

(10) **Patent No.:** **US D661,716 S**
(45) **Date of Patent:** **** Jun. 12, 2012**

(54) **HIGH-YIELD LADLE BOTTOM**
(75) Inventors: **Ronald Barrett**, Fenelton, PA (US);
Donald Abrino, Curwensville, PA (US)
(73) Assignee: **North American Refractories**
Company, Moon Township, PA (US)
(**) Term: **14 Years**
(21) Appl. No.: **29/410,165**
(22) Filed: **Jan. 5, 2012**
(51) **LOC (9) Cl.** **15-09**
(52) **U.S. Cl.** **D15/144**
(58) **Field of Classification Search** D15/144,
D15/144.1, 144.2; 22/600; 66/283; 222/590,
222/591, 593, 594, 597, 601, 603; 266/45,
266/200, 227, 230, 236, 275
See application file for complete search history.

5,382,003 A 1/1995 Sankaranarayanan
et al. 266/230
RE35,597 E 8/1997 Vassilicos 266/230
5,879,616 A 3/1999 Erny 266/45
5,948,349 A 9/1999 Beurotte et al. 266/44
RE37,417 E 10/2001 Koffron 266/230
6,673,306 B2 1/2004 Abrino et al. 266/275
6,723,275 B2 4/2004 Koffron et al. 266/45
6,787,098 B2 9/2004 Abrino et al. 266/44
7,112,300 B2 9/2006 Richard et al. 266/275
8,110,142 B2* 2/2012 Barrett et al. 266/283
2002/0153645 A1 10/2002 Abrino et al. 266/280
2005/0127582 A1* 6/2005 Richaud et al. 266/200
2007/0029708 A1* 2/2007 Richaud et al. 266/200
2007/0132162 A1 6/2007 Barrett 266/283
2009/0166387 A1* 7/2009 Bigelow et al. 222/590

* cited by examiner

Primary Examiner — Patricia Palasik
(74) *Attorney, Agent, or Firm* — Kusner & Jaffe

(57) **CLAIM**
The ornamental design for the high-yield ladle bottom, as shown and described.

(56) **References Cited**

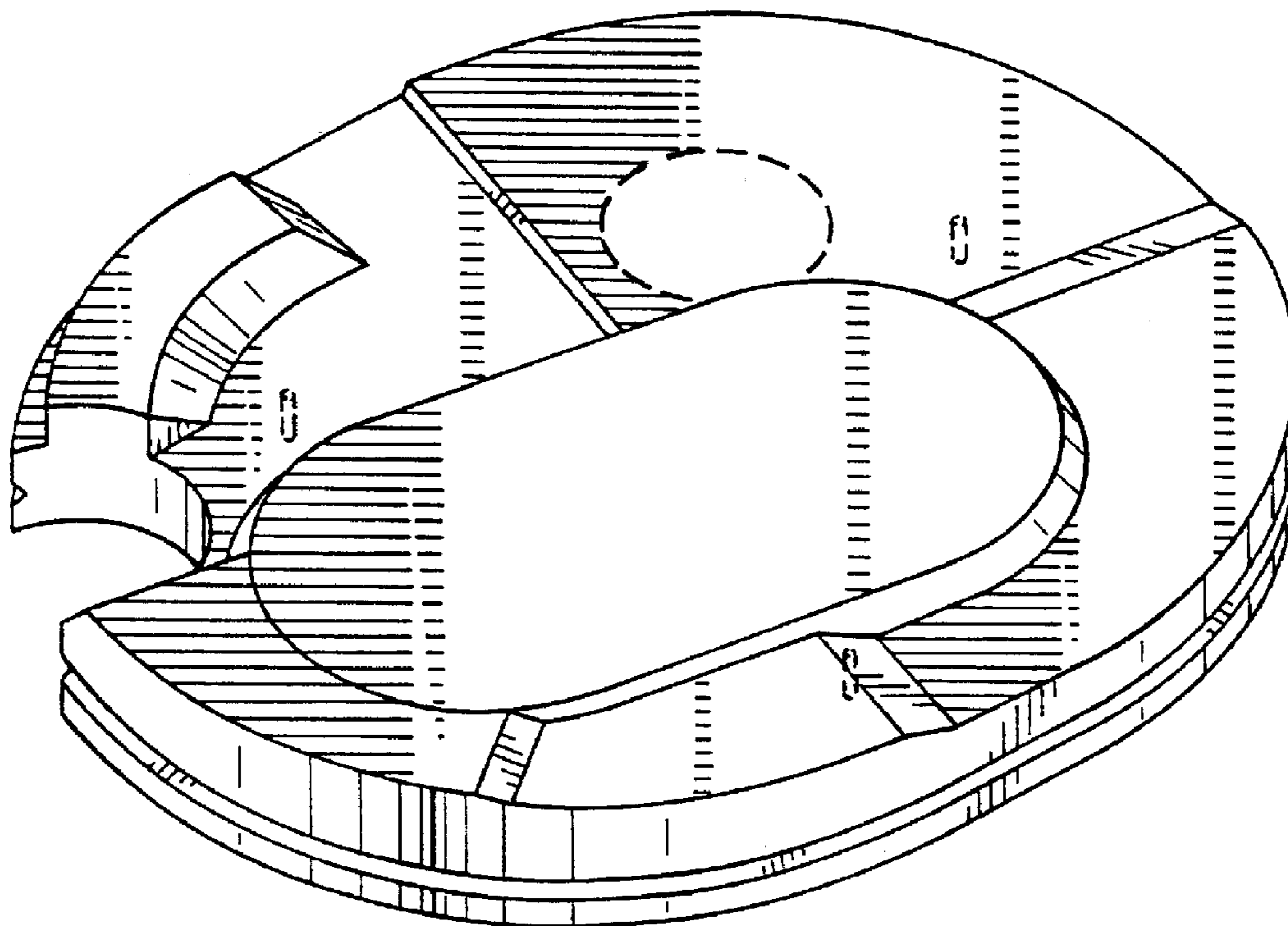
U.S. PATENT DOCUMENTS

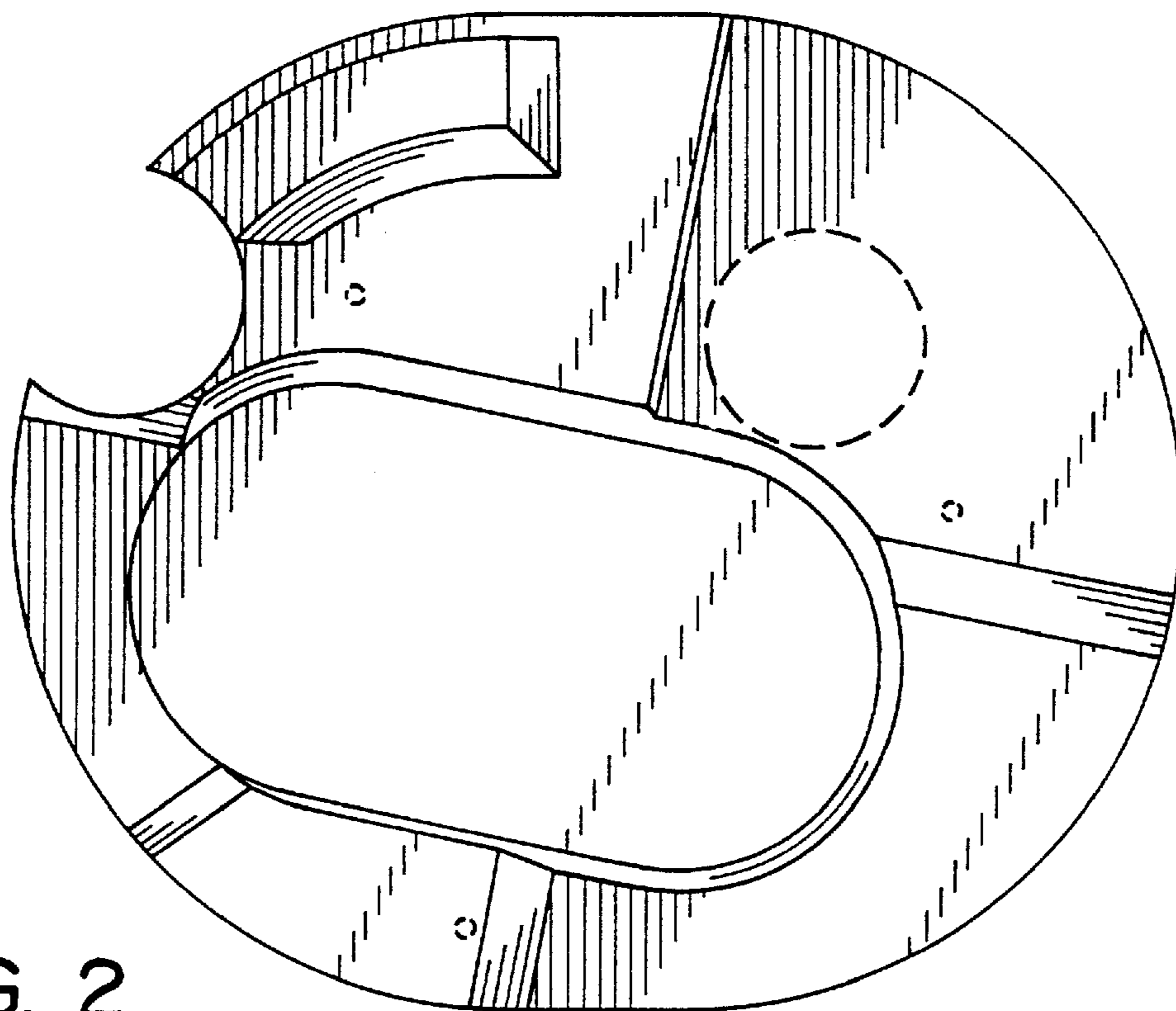
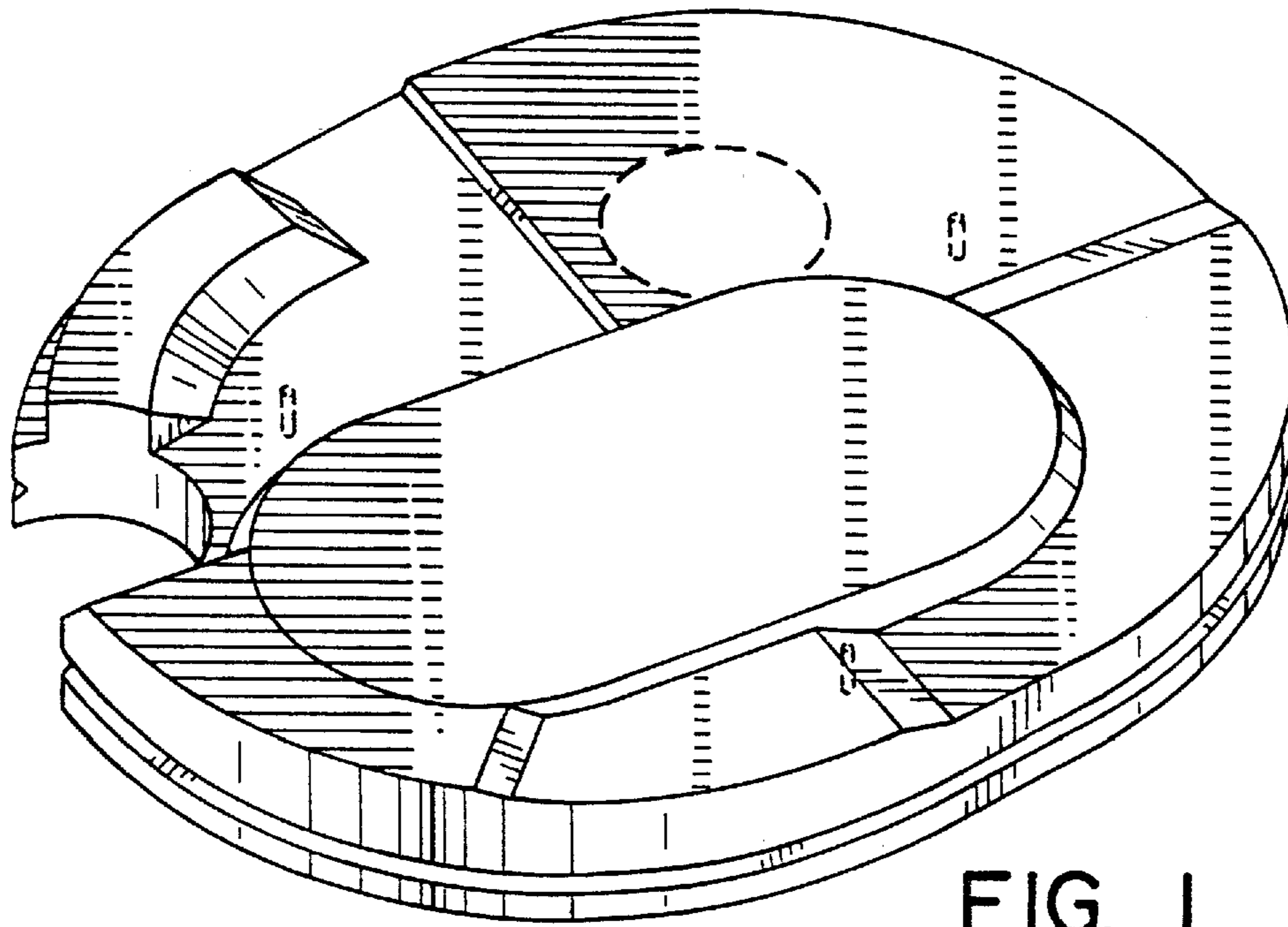
3,352,465 A * 11/1967 Shapland 222/600
3,516,478 A * 6/1970 Dunn et al. 164/423
3,603,050 A 9/1971 Coleman 52/249
4,360,133 A * 11/1982 Debaise 222/590
4,601,415 A 7/1986 Koffron 222/597
4,709,903 A 12/1987 LaBate 266/227
4,746,102 A * 5/1988 Gilles et al. 266/236
4,968,007 A 11/1990 Forte et al. 266/100
5,171,513 A 12/1992 Vassilicos 266/230
5,196,051 A * 3/1993 Heaslip et al. 75/582

DESCRIPTION

FIG. 1 is a top, perspective view of a high-yield ladle bottom;
FIG. 2 is a top plan view thereof;
FIG. 3 is a front elevational view thereof;
FIG. 4 is a left end view thereof;
FIG. 5 is a right end view thereof;
FIG. 6 is a back elevational view thereof; and,
FIG. 7 is a bottom view thereof.

1 Claim, 3 Drawing Sheets





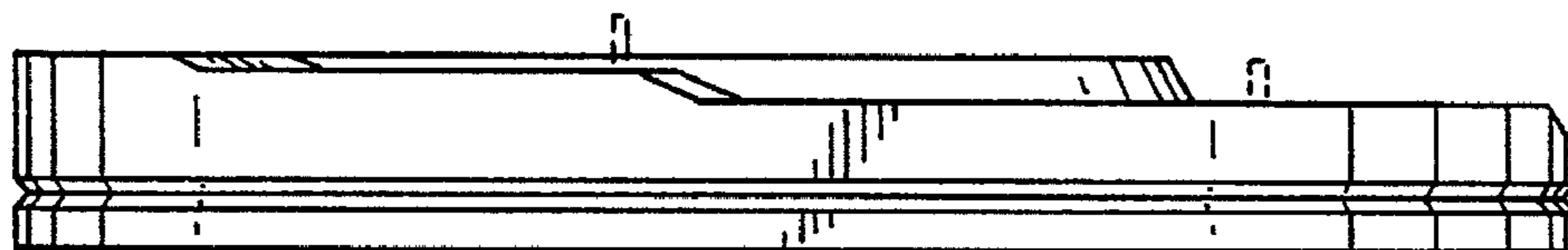


FIG. 3

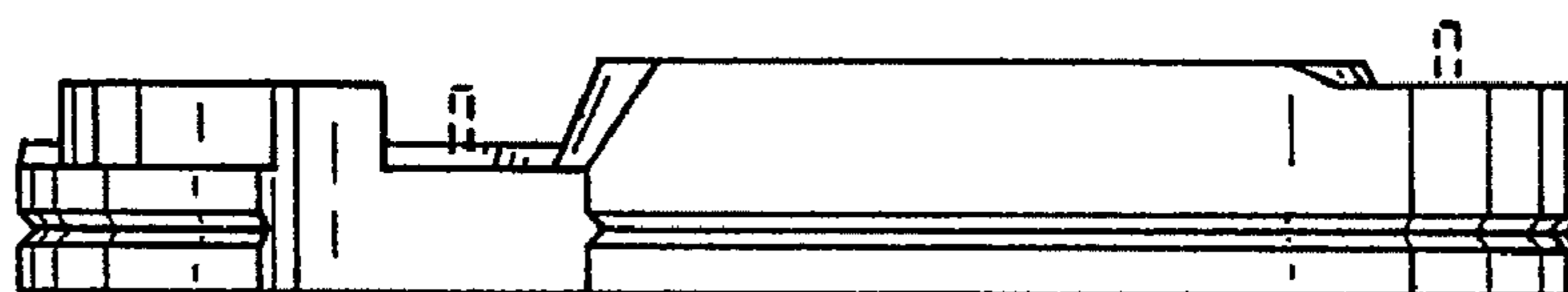


FIG. 4

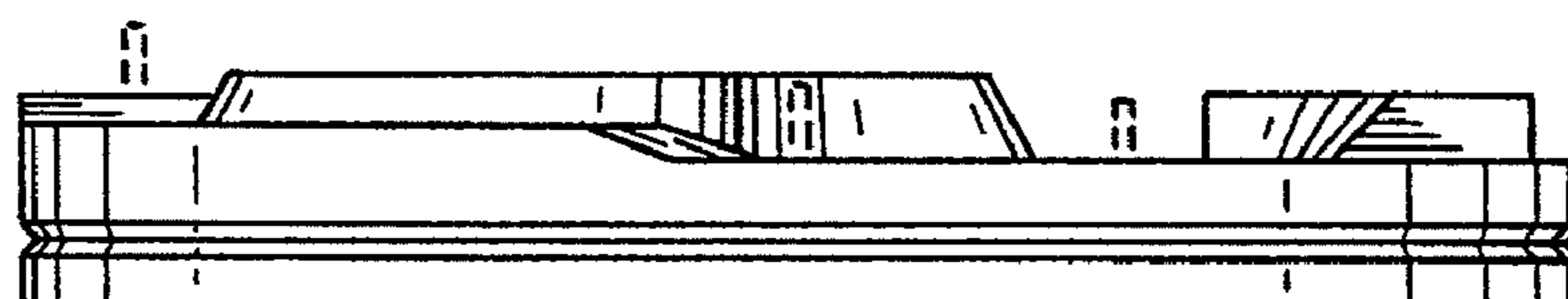


FIG. 5

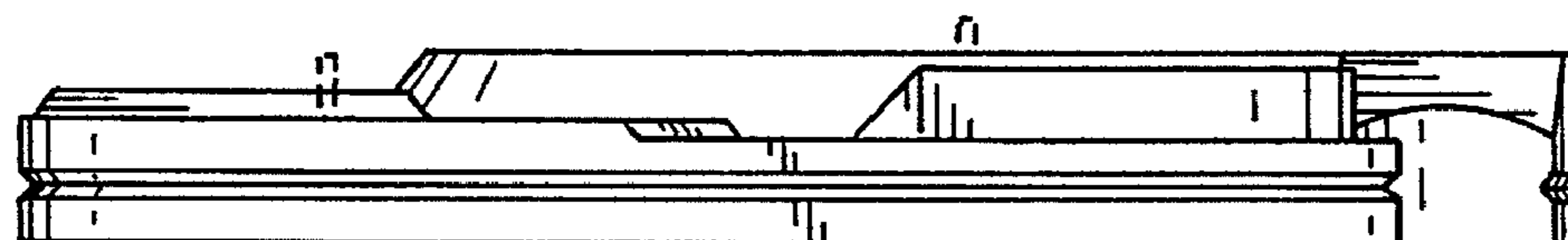


FIG. 6

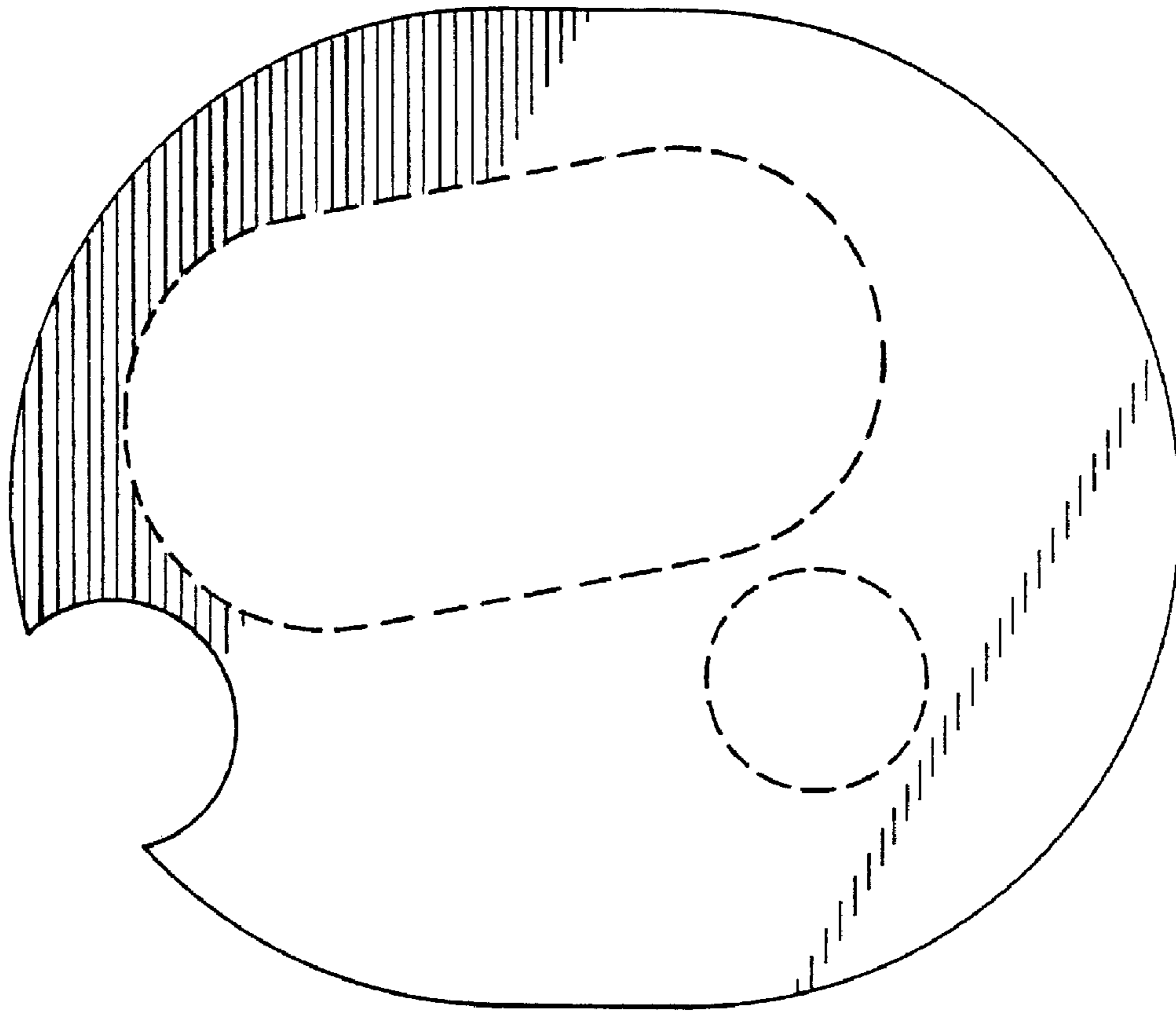


FIG. 7