

US00D661712S

(12) **United States Design Patent**  
**Muraoka et al.**

(10) **Patent No.:** **US D661,712 S**  
(45) **Date of Patent:** **\*\* Jun. 12, 2012**

(54) **ELECTRICAL CONTROL DEVICE**

(75) Inventors: **Hideyasu Muraoka**, Kobe (JP); **Hiroshi Itoh**, Kobe (JP)

(73) Assignee: **Kawasaki Jukogyo Kabushiki Kaisha**, Kobe-shi (JP)

(\*\*) Term: **14 Years**

(21) Appl. No.: **29/376,960**

(22) Filed: **Oct. 14, 2010**

**Related U.S. Application Data**

(62) Division of application No. 29/343,815, filed on Sep. 18, 2009, now Pat. No. Des. 628,601.

(30) **Foreign Application Priority Data**

Mar. 19, 2009 (JP) ..... 2009-006197  
Mar. 19, 2009 (JP) ..... 2009-006198

(51) **LOC (9) Cl.** ..... **15-03**

(52) **U.S. Cl.** ..... **15/28**

(58) **Field of Classification Search** ..... D15/17,  
D15/28; D12/179, 174; D8/8; D34/35;  
D21/324, 328, 333; D14/412-416, 400,  
D14/401; 74/491, 519, 523, 475, 489, 473.1,  
74/471 XY; 56/13.3, 202; 273/148 B; 463/38,  
463/46; 345/161

See application file for complete search history.

(56) **References Cited**

**U.S. PATENT DOCUMENTS**

D282,156 S 1/1986 Le Vier  
D320,589 S 10/1991 Kelley et al.  
D331,932 S 12/1992 Lenski et al.  
D334,415 S 3/1993 Carter et al.  
D362,330 S 9/1995 Avitan et al.  
D365,576 S 12/1995 Butkovich et al.  
D366,910 S 2/1996 Hsieh  
D382,865 S 8/1997 Jensen  
5,805,256 A 9/1998 Miller

D418,097 S 12/1999 Leschke et al.  
D419,570 S 1/2000 Blondeel et al.  
D450,702 S 11/2001 Sagawa et al.  
454,569 A1 3/2002 Osborn et al.  
D463,457 S 9/2002 Nagatsuka  
D464,007 S 10/2002 Ligneau  
D481,658 S 11/2003 Ryan et al.  
D491,958 S 6/2004 Holma  
D498,188 S 11/2004 Ligneau  
D498,189 S 11/2004 Ligneau  
D499,121 S 11/2004 Masalin  
D516,096 S 2/2006 Bergman et al.  
D531,942 S 11/2006 Chanteloup

(Continued)

*Primary Examiner* — Mark Goodwin

(74) *Attorney, Agent, or Firm* — Allman Hall McCoy Russell & Tuttle LLP

(57) **CLAIM**

The ornamental design for an electrical control device, as shown and described.

**DESCRIPTION**

FIG. 1 is a front view of an electrical control device showing our new design.

FIG. 2 is a top plan view thereof.

FIG. 3 is a bottom plan view thereof.

FIG. 4 is a left side view thereof.

FIG. 5 is a right side view thereof.

FIG. 6 is a right perspective view thereof.

FIG. 7 is a cross-sectional view thereof taken along line 7-7 of FIG. 1.

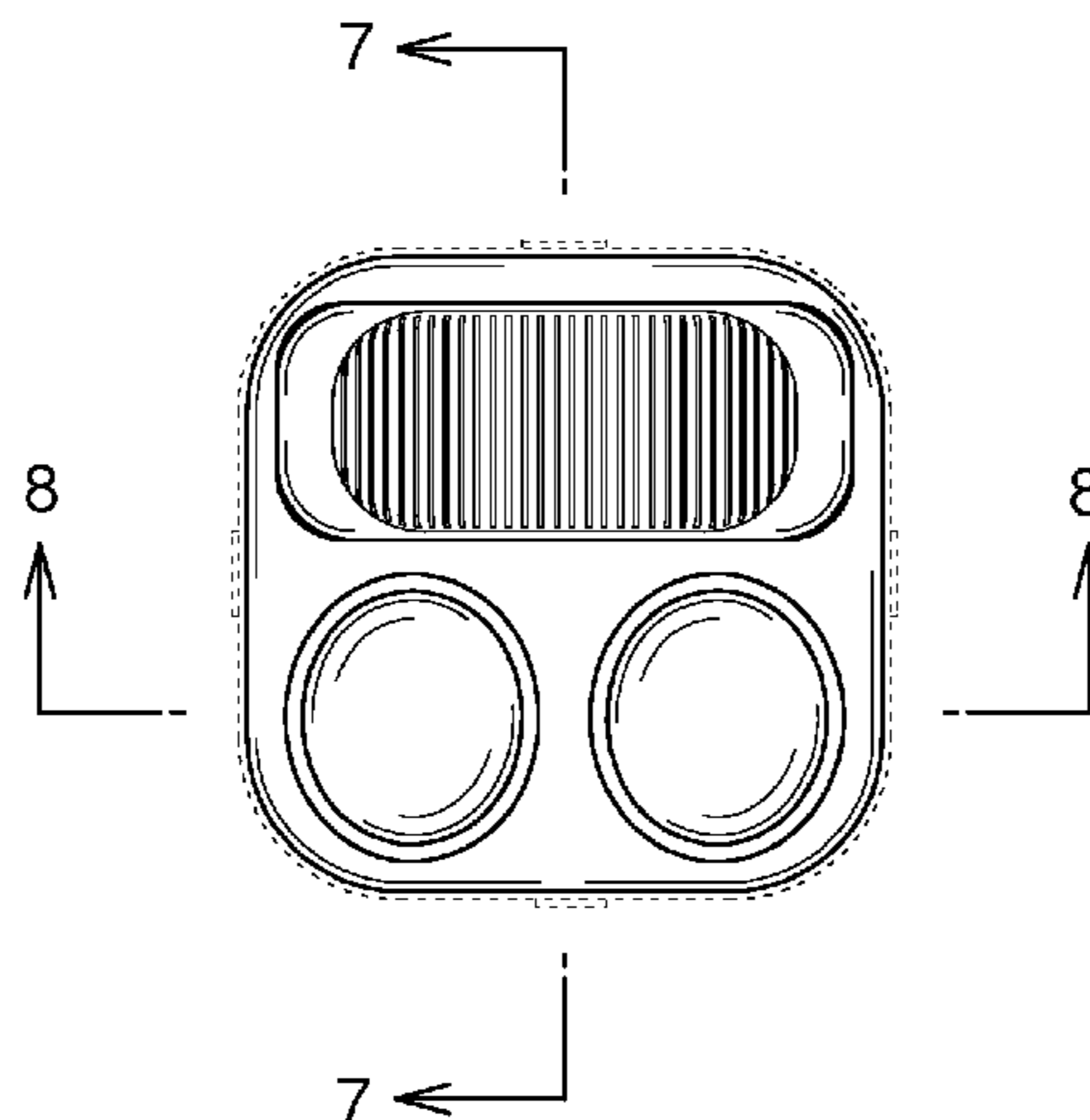
FIG. 8 is a cross-sectional view thereof taken along line 8-8 of FIG. 1.

FIG. 9 is a left perspective view thereof shown in use condition; and,

FIG. 10 is a reduced left side view shown in use condition.

The dashed lines in FIGS. 1-8 illustrate an electrical control device housing, and form no part of the claimed design. The dashed lines in FIG. 9 illustrate a joystick, and form no part of the claimed design. The dashed lines in FIG. 10 illustrate a joystick and chair, and form no part of the claimed design.

**1 Claim, 5 Drawing Sheets**



# US D661,712 S

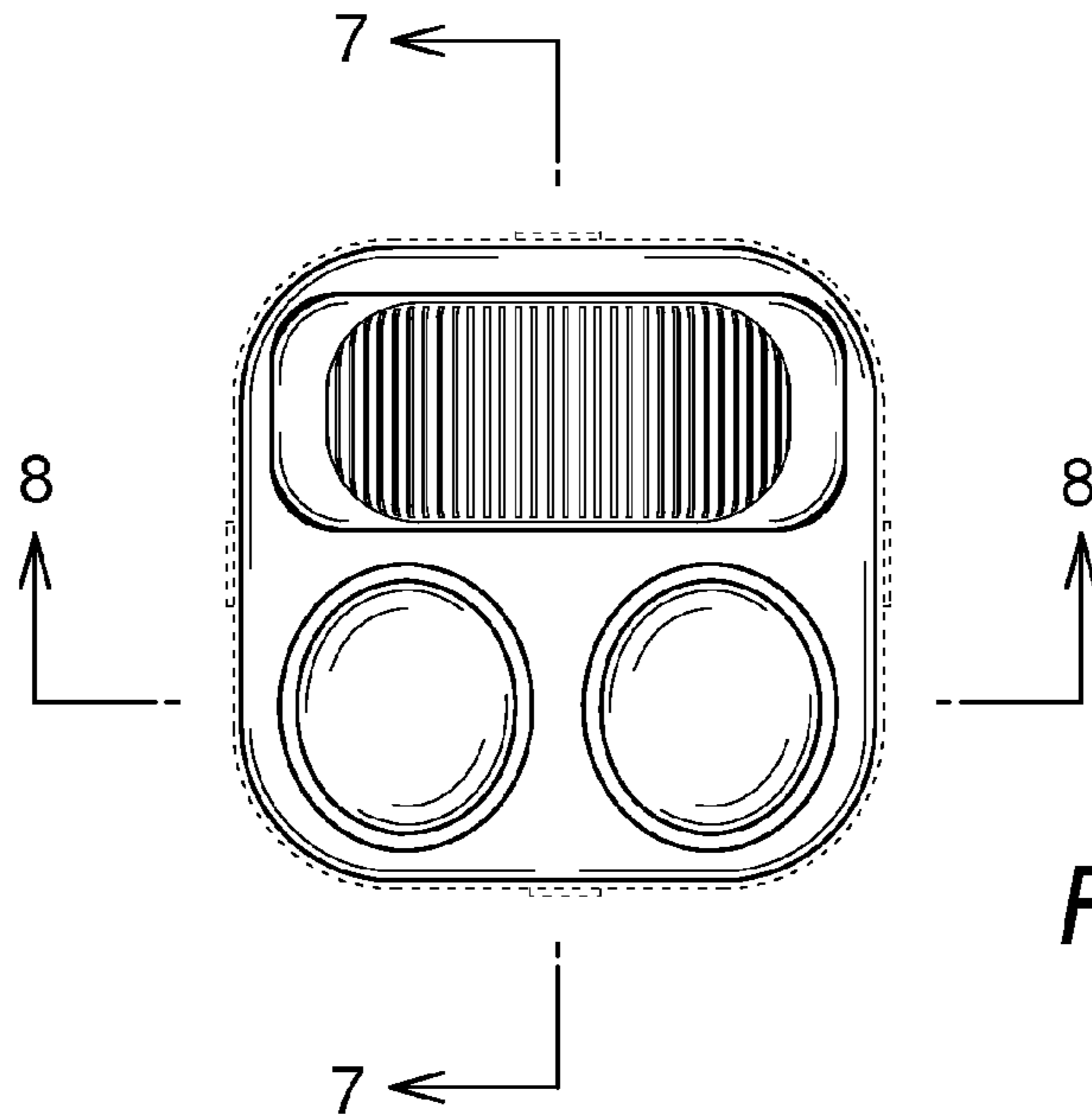
Page 2

---

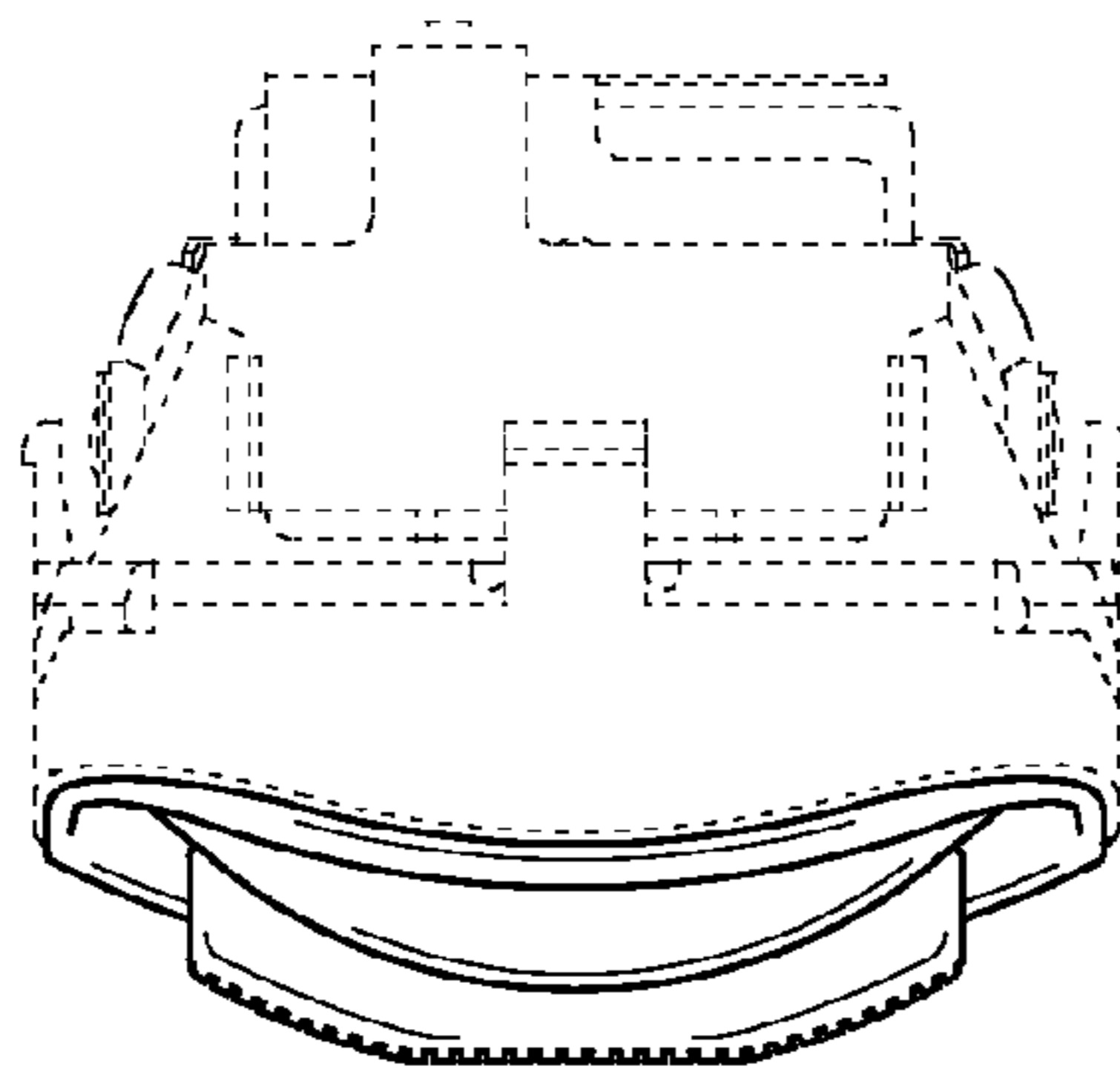
## U.S. PATENT DOCUMENTS

D537,393 S	2/2007	Chanteloup	D595,744 S	7/2009	Umeda et al.	
D537,394 S	2/2007	Chanteloup	D606,100 S	12/2009	Kobayashi et al.	
D541,824 S	5/2007	Yanagida et al.	D606,566 S	12/2009	Kobayashi et al.	
D559,749 S	1/2008	Barbieri	D606,567 S	12/2009	Kobayashi et al.	
D566,132 S	4/2008	Mack	D628,216 S *	11/2010	Ulbrich et al. ....	D15/28
D590,848 S	4/2009	Umeda et al.	D628,601 S *	12/2010	Muraoka et al. ....	D15/28

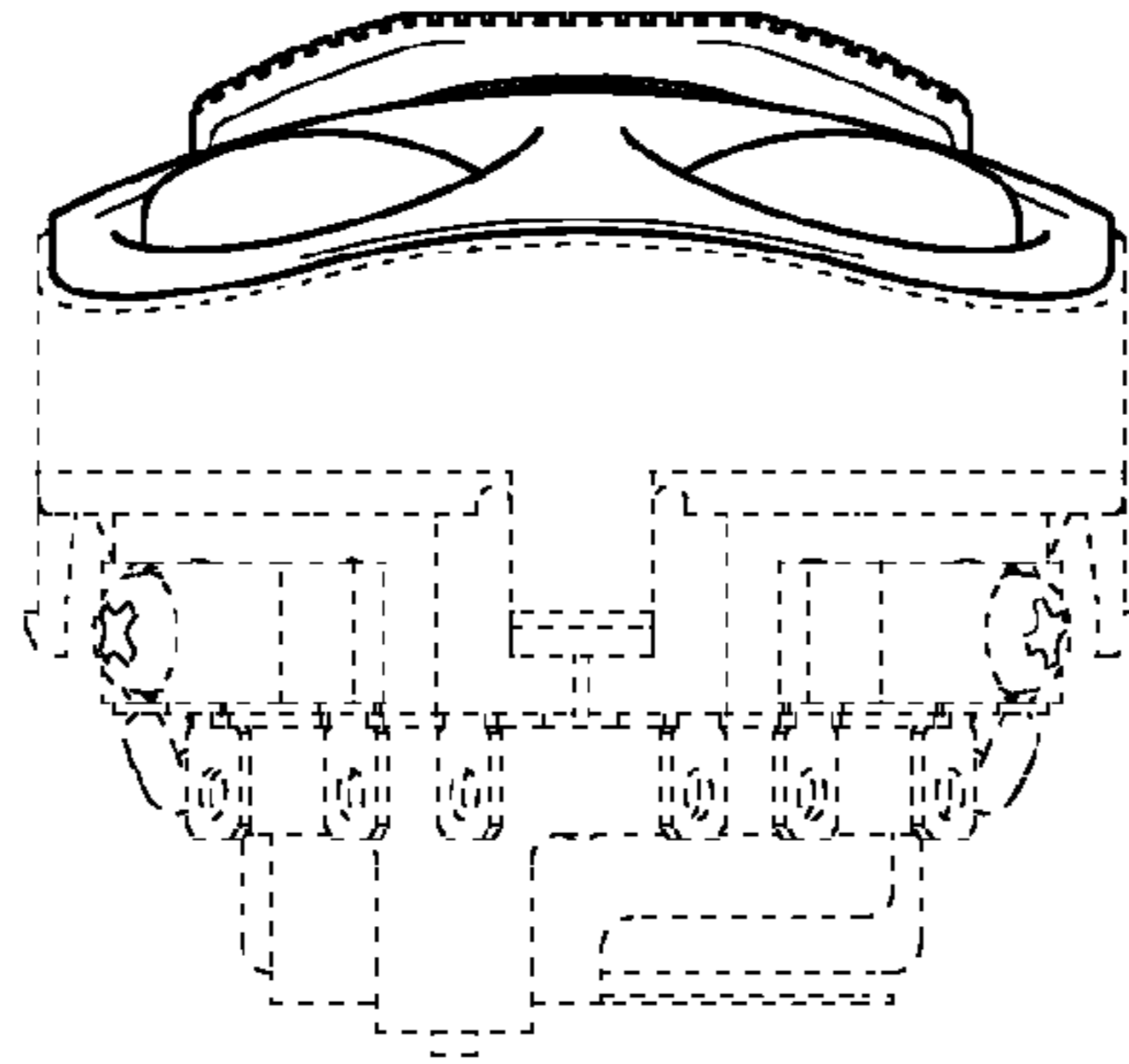
\* cited by examiner



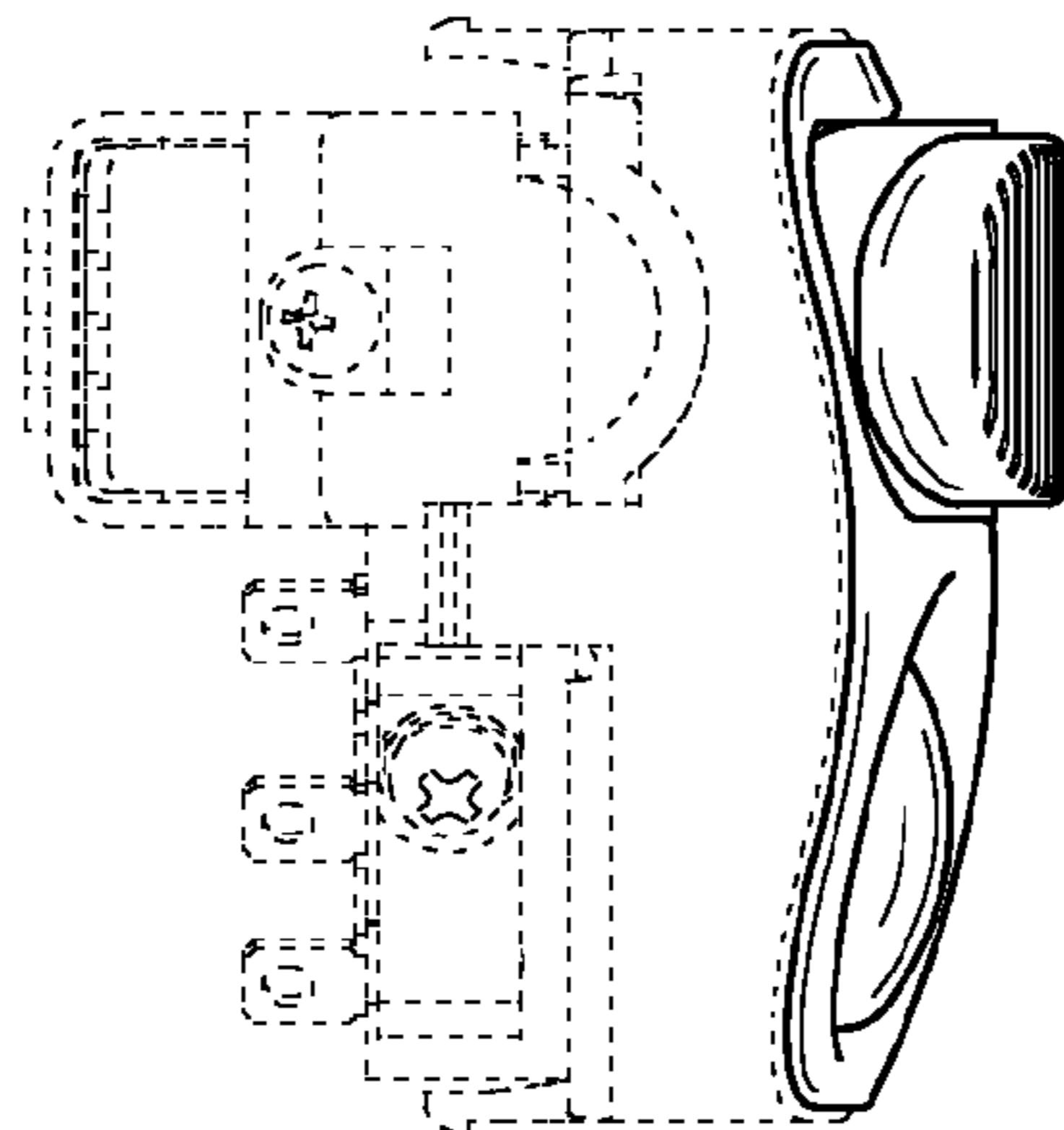
**FIG. 1**



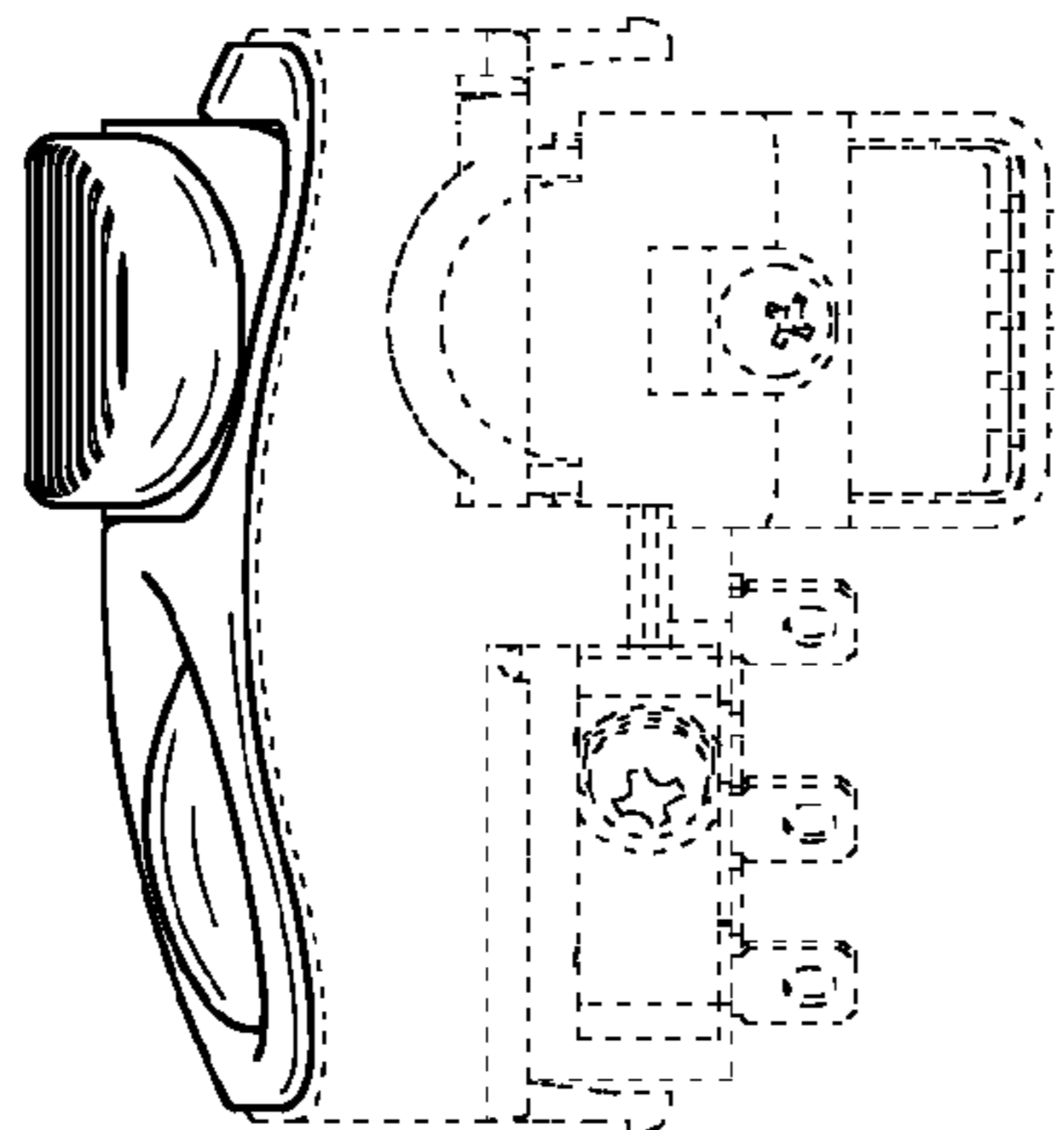
**FIG. 2**



*FIG. 3*



*FIG. 4*



*FIG. 5*

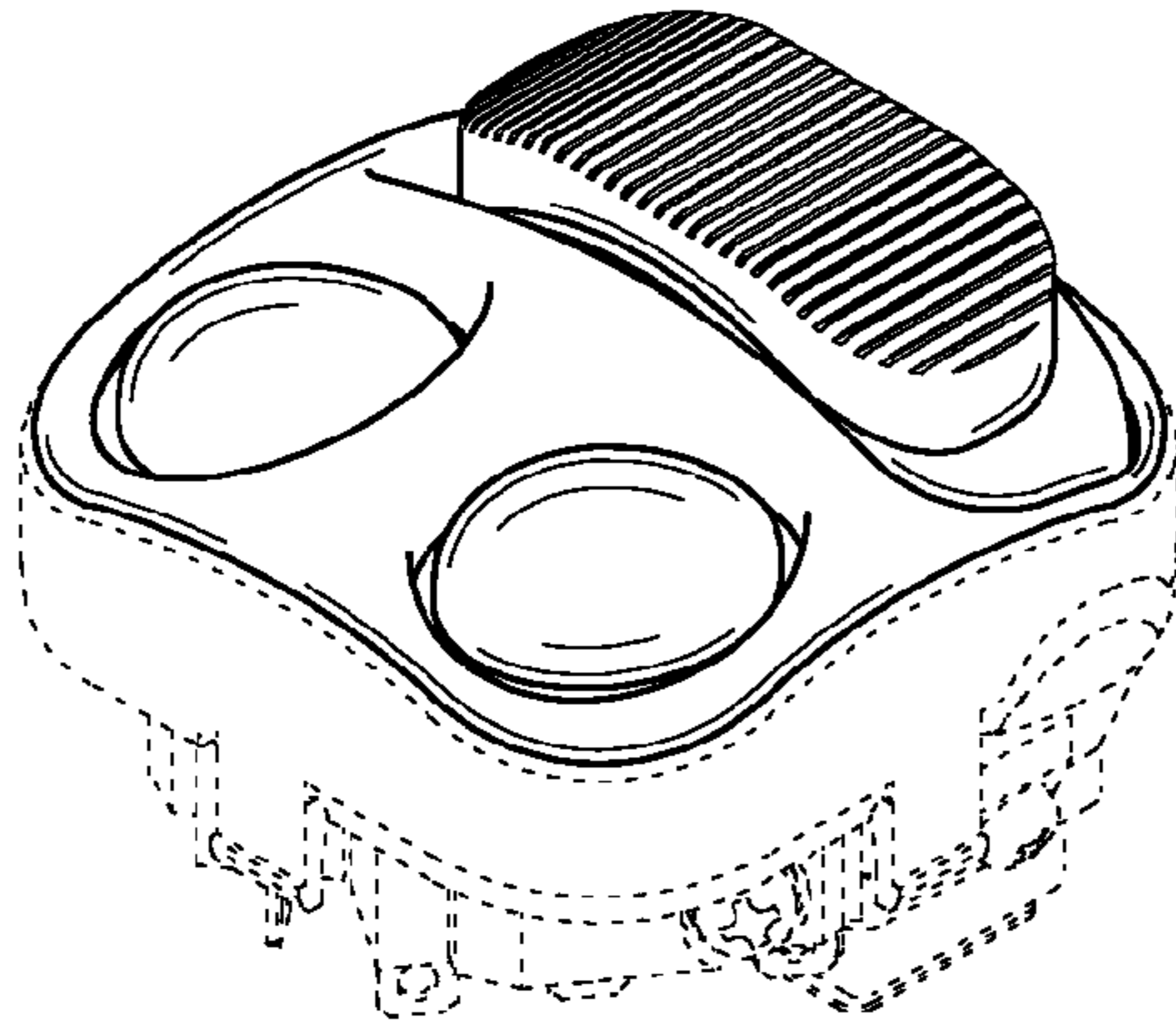


FIG. 6

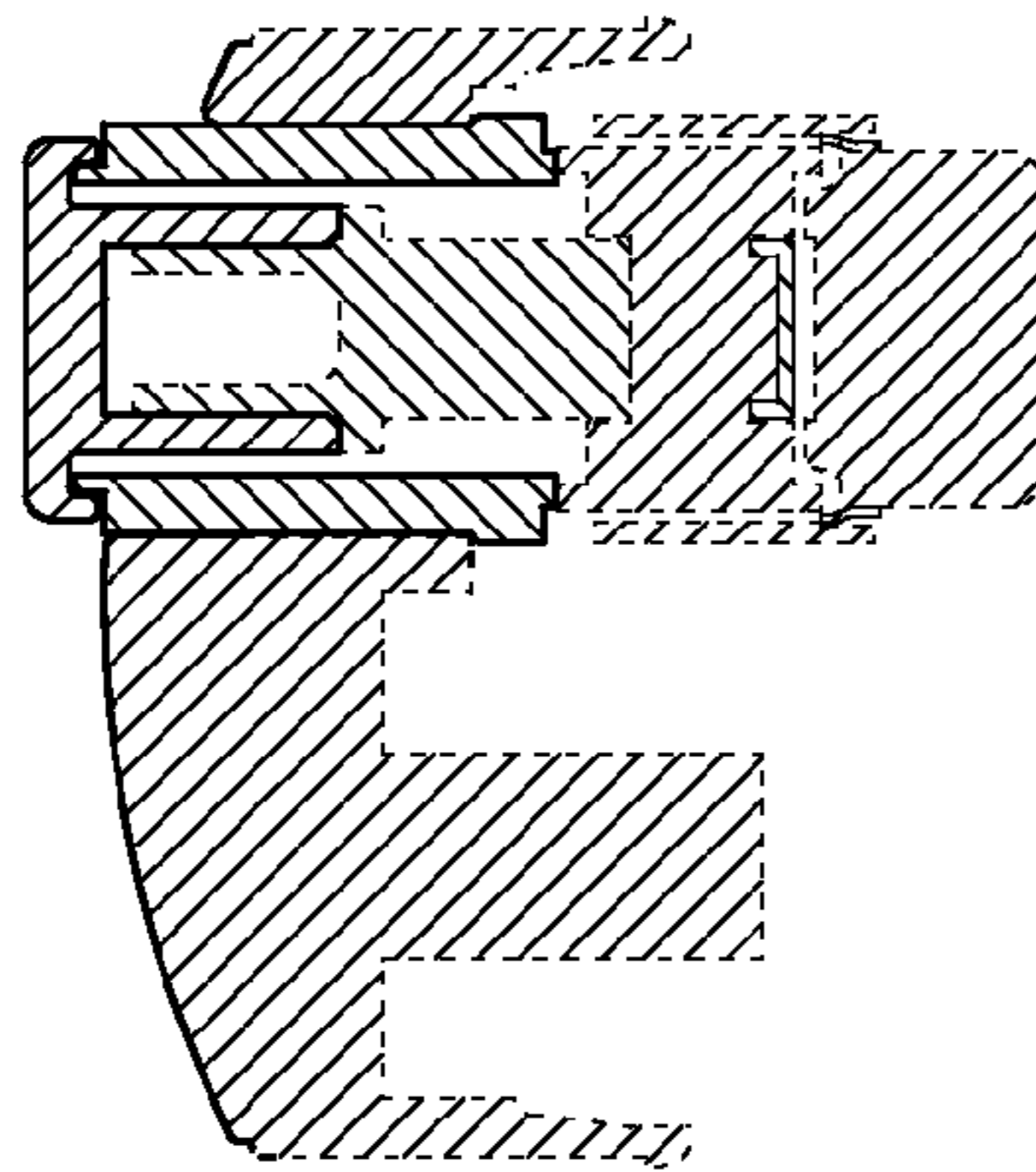


FIG. 7

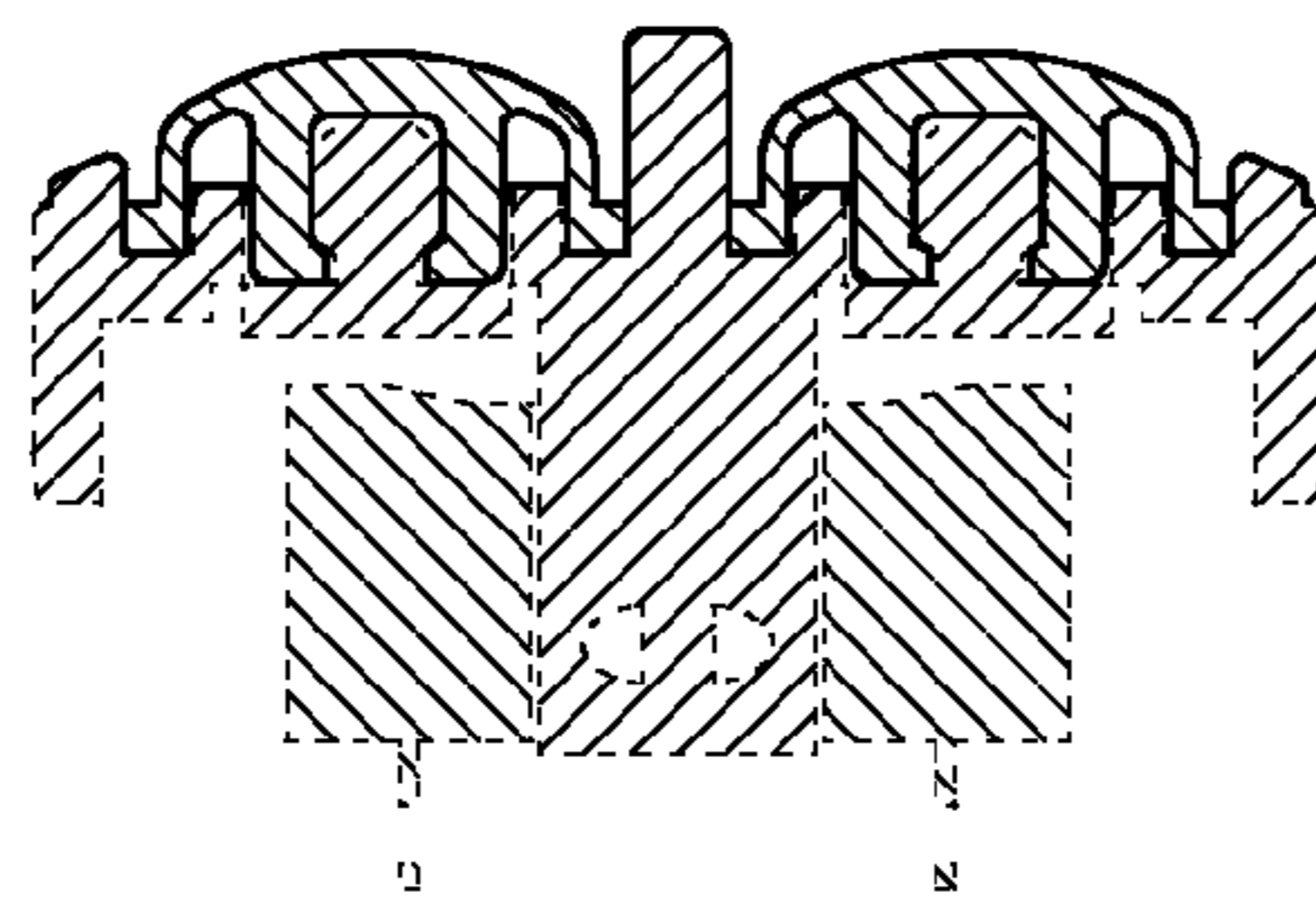
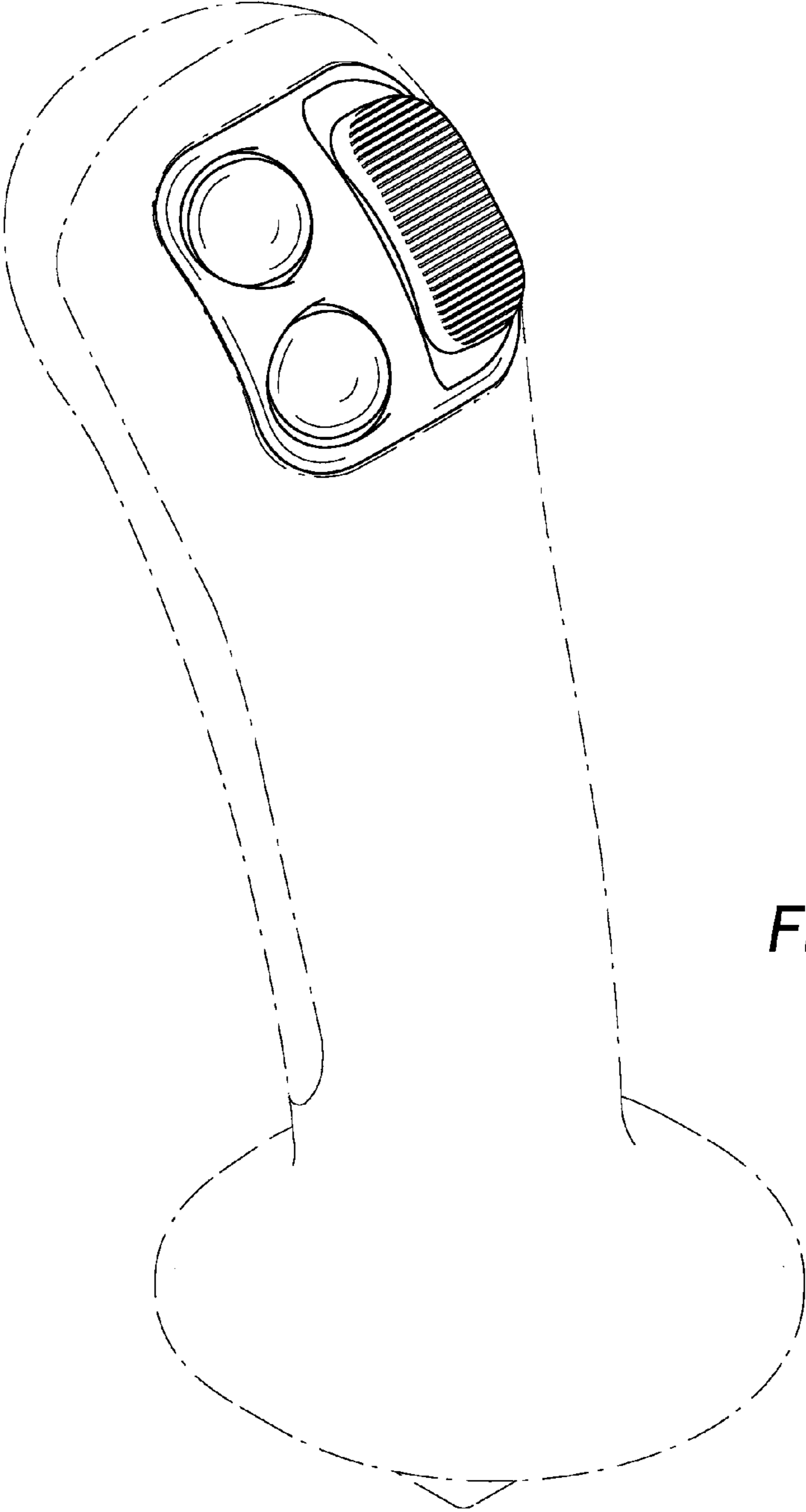
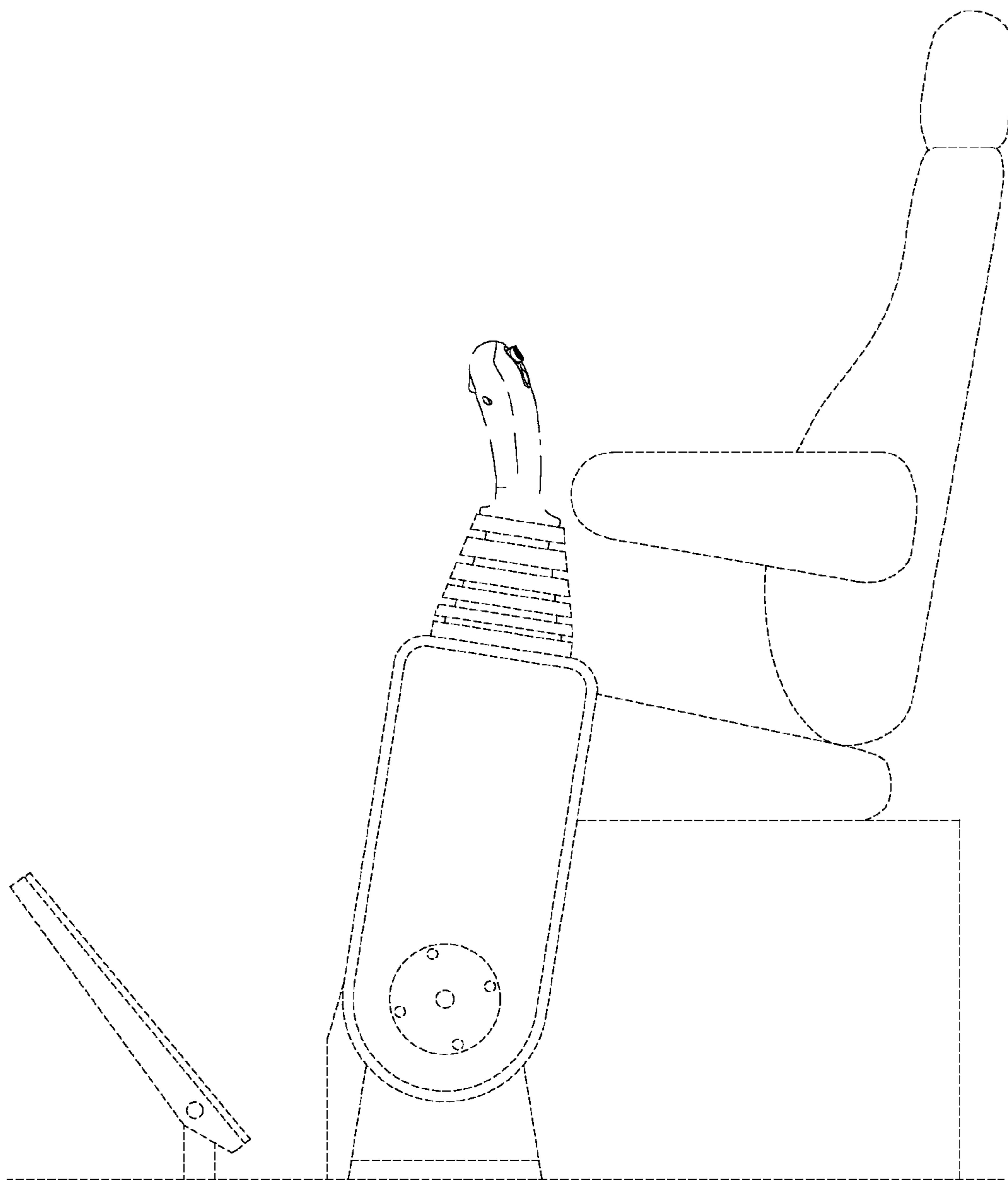


FIG. 8



*FIG. 9*



**FIG. 10**