



US00D661710S

(12) **United States Design Patent**
Bartl

(10) **Patent No.:** **US D661,710 S**
(45) **Date of Patent:** **** Jun. 12, 2012**

(54) **COMPACTION MACHINE TRANSMITTER ASSEMBLY**

(75) Inventor: **Andreas Bartl**, Munich (DE)

(73) Assignee: **Wacker Neuson Produktion GmbH & Co. KG**, Munich (DE)

(**) Term: **14 Years**

(21) Appl. No.: **29/391,250**

(22) Filed: **May 5, 2011**

Related U.S. Application Data

(63) Continuation-in-part of application No. 29/366,034, filed on Jul. 19, 2010, now Pat. No. Des. 638,861.

(30) **Foreign Application Priority Data**

Jan. 18, 2010 (EM) 001190185

(51) **LOC (9) Cl.** **15-03**

(52) **U.S. Cl.** **D15/20**

(58) **Field of Classification Search** D15/10,
D15/20, 33, 147; D14/224, 229; 74/61;
173/113, 118; 172/699; 56/11.3; 404/113,
404/133.1, 133.05, 114, 117
See application file for complete search history.

(56) **References Cited**

U.S. PATENT DOCUMENTS

D183,297	S *	8/1958	Brown	D15/20
D197,360	S *	1/1964	Frohnaer, Jr.	D15/20
D227,166	S *	6/1973	Briggs et al.	D15/20
D227,598	S *	7/1973	Maass	D15/20
D235,374	S *	6/1975	Aiello	D15/20
D240,336	S *	6/1976	Maass	D15/20
D393,864	S *	4/1998	Waldenberger et al.	D15/20
6,551,022	B1 *	4/2003	Stayner	404/133.1
6,588,977	B1 *	7/2003	Stayner	404/133.1
D478,071	S *	8/2003	Teymouri	D14/240
D479,732	S *	9/2003	Yajima et al.	D21/333
6,846,128	B2 *	1/2005	Sick	404/133.05
D517,094	S *	3/2006	Stein et al.	D15/20
D518,070	S *	3/2006	Schennach	D15/20

7,303,356	B2 *	12/2007	Schennach et al.	404/133.1
7,354,221	B2 *	4/2008	Congdon	404/84.1
7,491,014	B2 *	2/2009	Sick	404/133.1
D604,335	S *	11/2009	Hu	D15/20
D608,805	S *	1/2010	Gantner	D15/199
D615,104	S *	5/2010	Loew et al.	D15/20
D615,997	S *	5/2010	Loew et al.	D15/20
7,731,450	B2 *	6/2010	Congdon et al.	404/84.5
7,753,621	B2 *	7/2010	Steffen	404/133.1
D646,263	S *	10/2011	Yuan et al.	D14/229
2004/0022582	A1 *	2/2004	Sick	404/133.05
2006/0193693	A1 *	8/2006	Congdon	404/133.05
2007/0233327	A1 *	10/2007	McCain	701/1
2007/0239338	A1 *	10/2007	Potts et al.	701/50
2008/0063473	A1 *	3/2008	Congdon et al.	404/75
2008/0247824	A1 *	10/2008	Steffen	404/133.05
2010/0256837	A1 *	10/2010	Schmidt	701/2
2010/0272512	A1 *	10/2010	Loew et al.	404/75

* cited by examiner

Primary Examiner — Mark Goodwin

(74) *Attorney, Agent, or Firm* — Boyle Fredrickson, S.C.

(57) **CLAIM**

The ornamental design for a compaction machine transmitter assembly, as shown and described.

DESCRIPTION

FIG. 1 is a top front right isometric view of a compaction machine transmitter assembly showing my new design, the transmitter assembly consisting of a transmitter and a transmitter casing;

FIG. 2 is a left side elevation view thereof;

FIG. 3 is a right side elevation view thereof;

FIG. 4 is a front elevation view thereof;

FIG. 5 is a rear elevation view thereof;

FIG. 6 is a top plan view thereof;

FIG. 7 is a bottom plan view thereof;

FIG. 8 is a top left isometric view of the transmitter of the transmitter portion of a compaction machine transmitter assembly showing my new design;

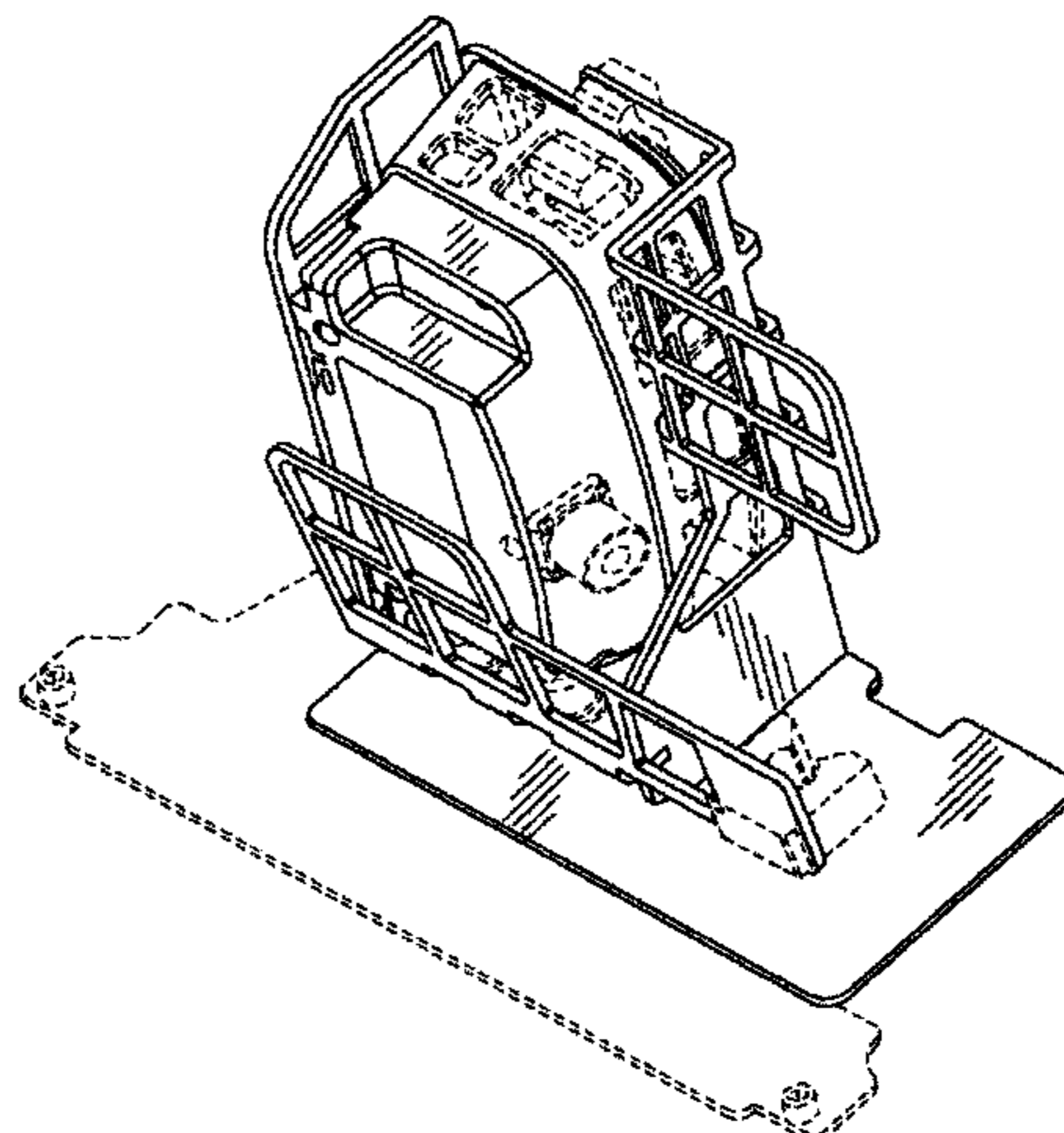
FIG. 9 is a left side elevation view thereof;

FIG. 10 is a right side elevation view thereof;

FIG. 11 is a rear elevation view thereof;

FIG. 12 is a front elevation view thereof;

FIG. 13 is a top plan view thereof;



US D661,710 S

Page 2

FIG. 14 is a bottom plan view thereof;
FIG. 15 is a front right isometric view of the transmitter casing portion of a compaction machine transmitter assembly showing my new design;
FIG. 16 is a left side elevation view thereof;
FIG. 17 is a right side elevation view thereof;
FIG. 18 is a front elevation view thereof;

FIG. 19 is a rear elevation view thereof; and,
FIG. 20 is a top plan view thereof.

The broken lines represent environmental structure and form no part of the claimed design.

1 Claim, 12 Drawing Sheets

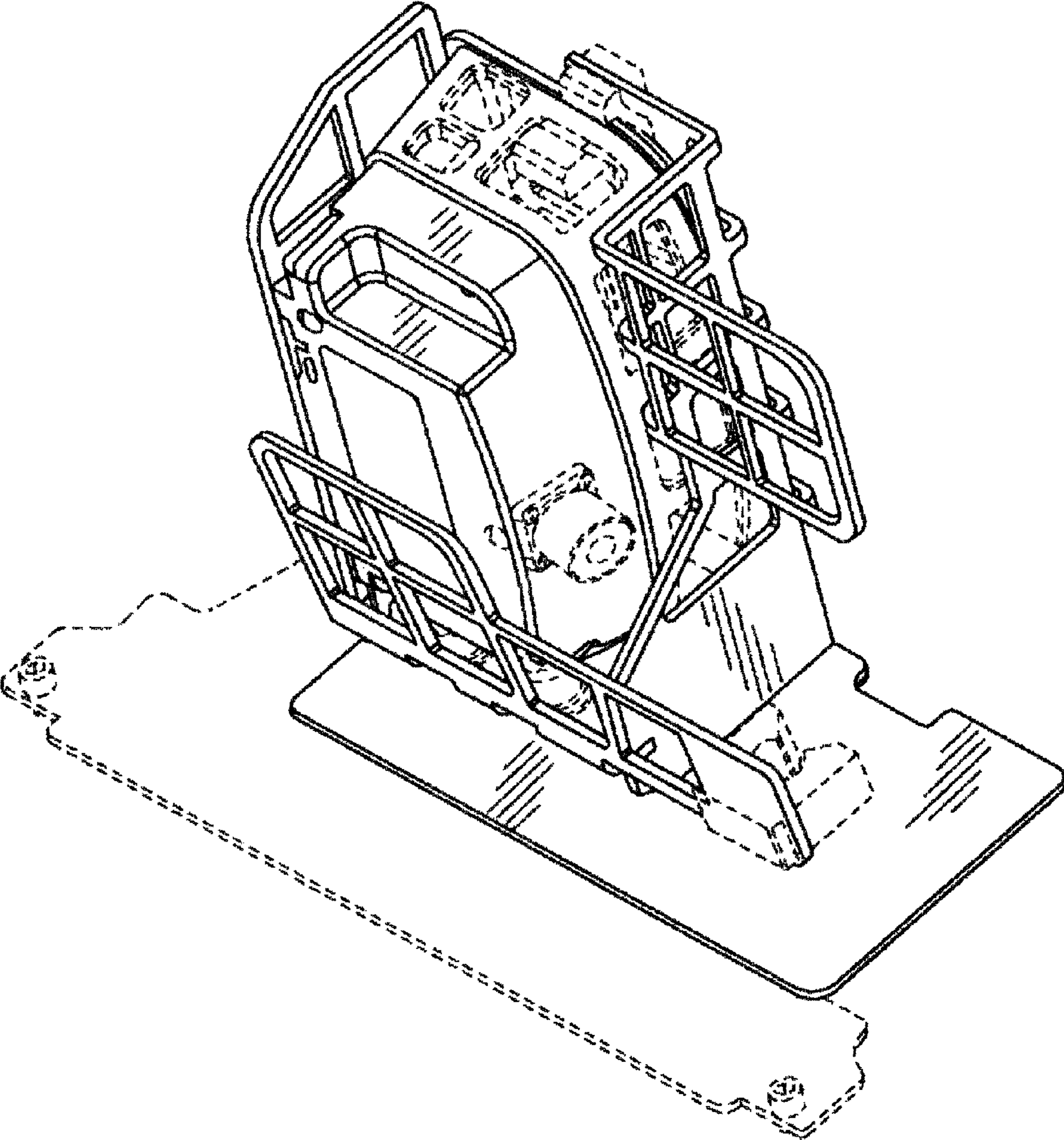


FIG. 1

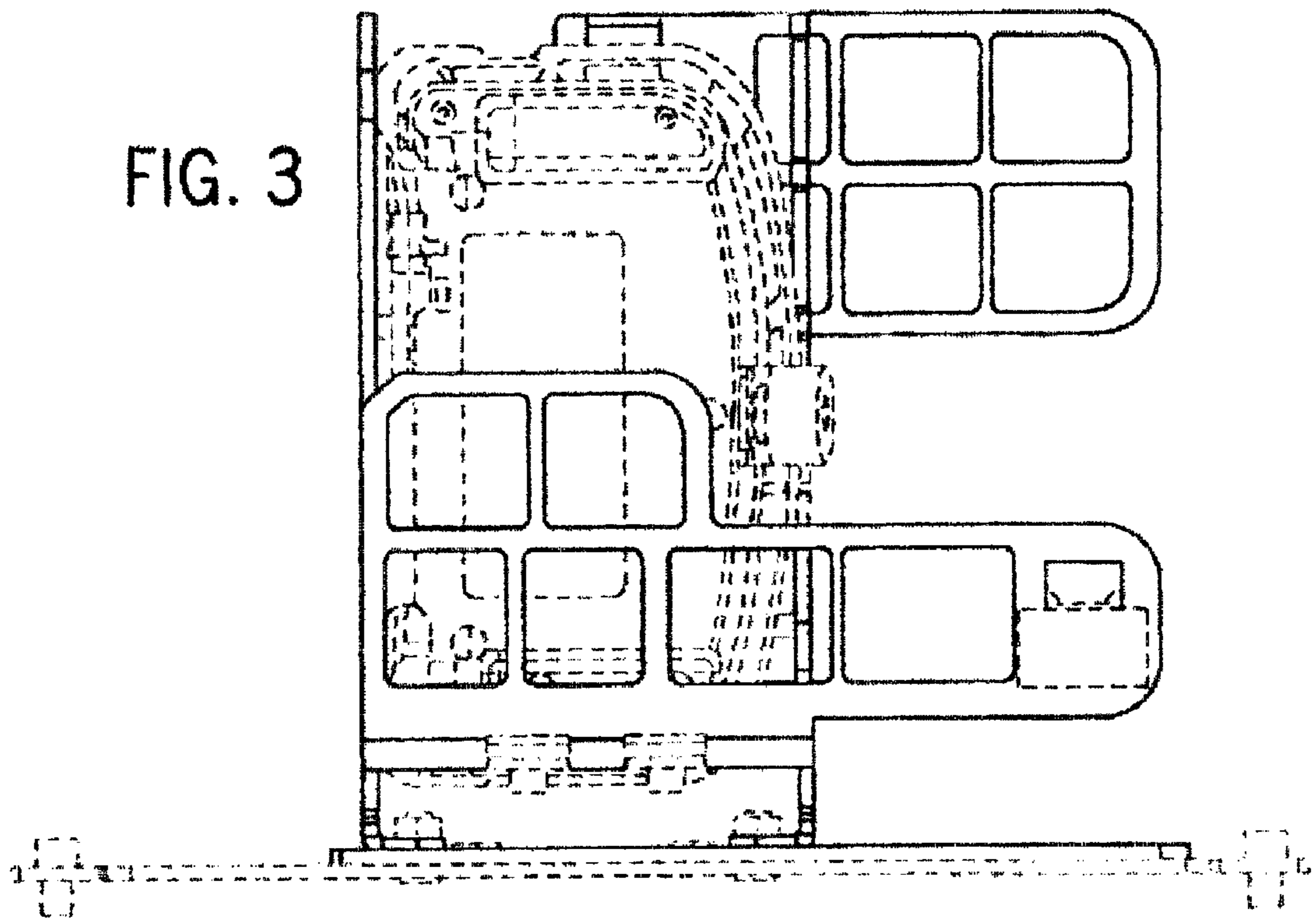
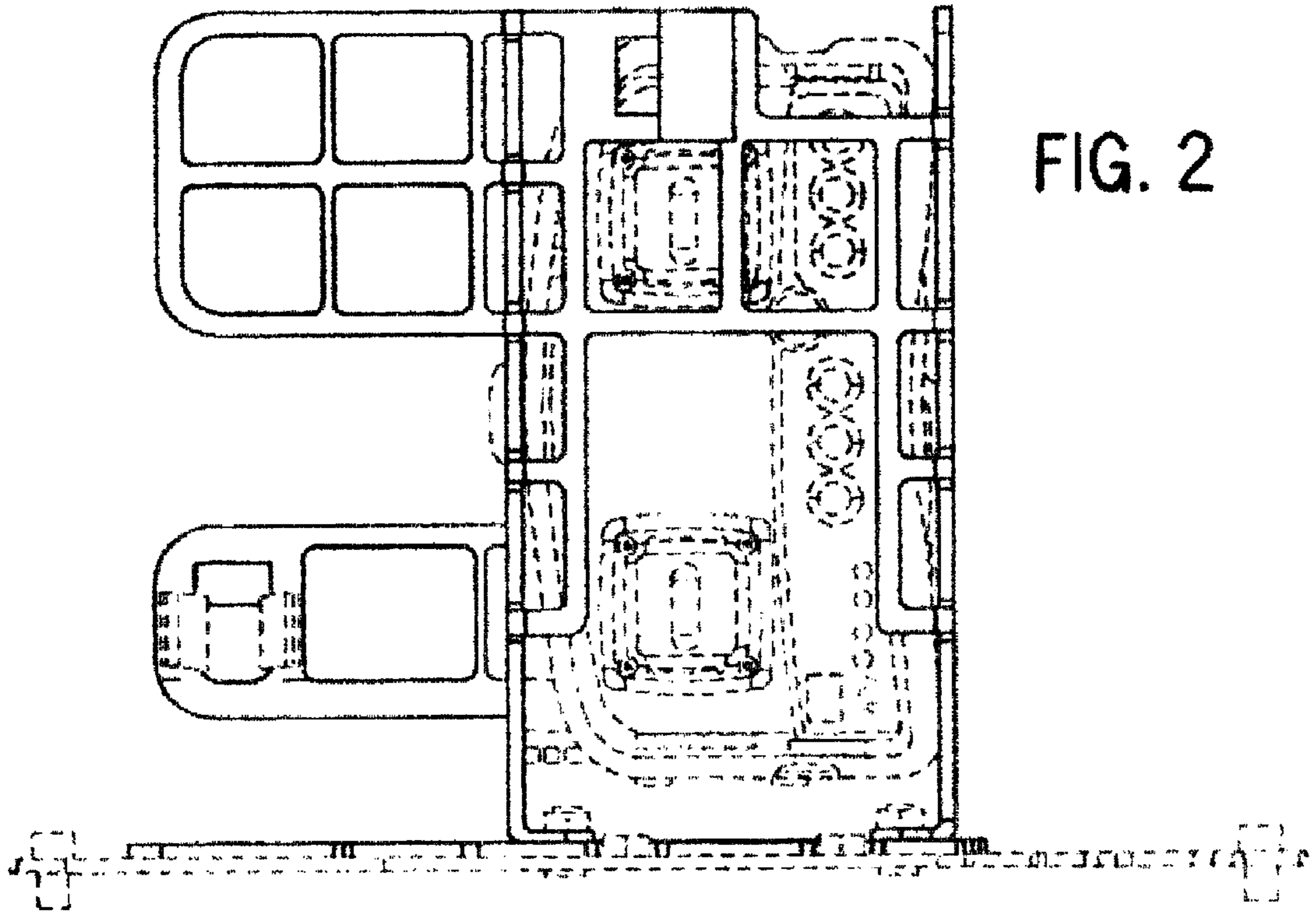


FIG. 4

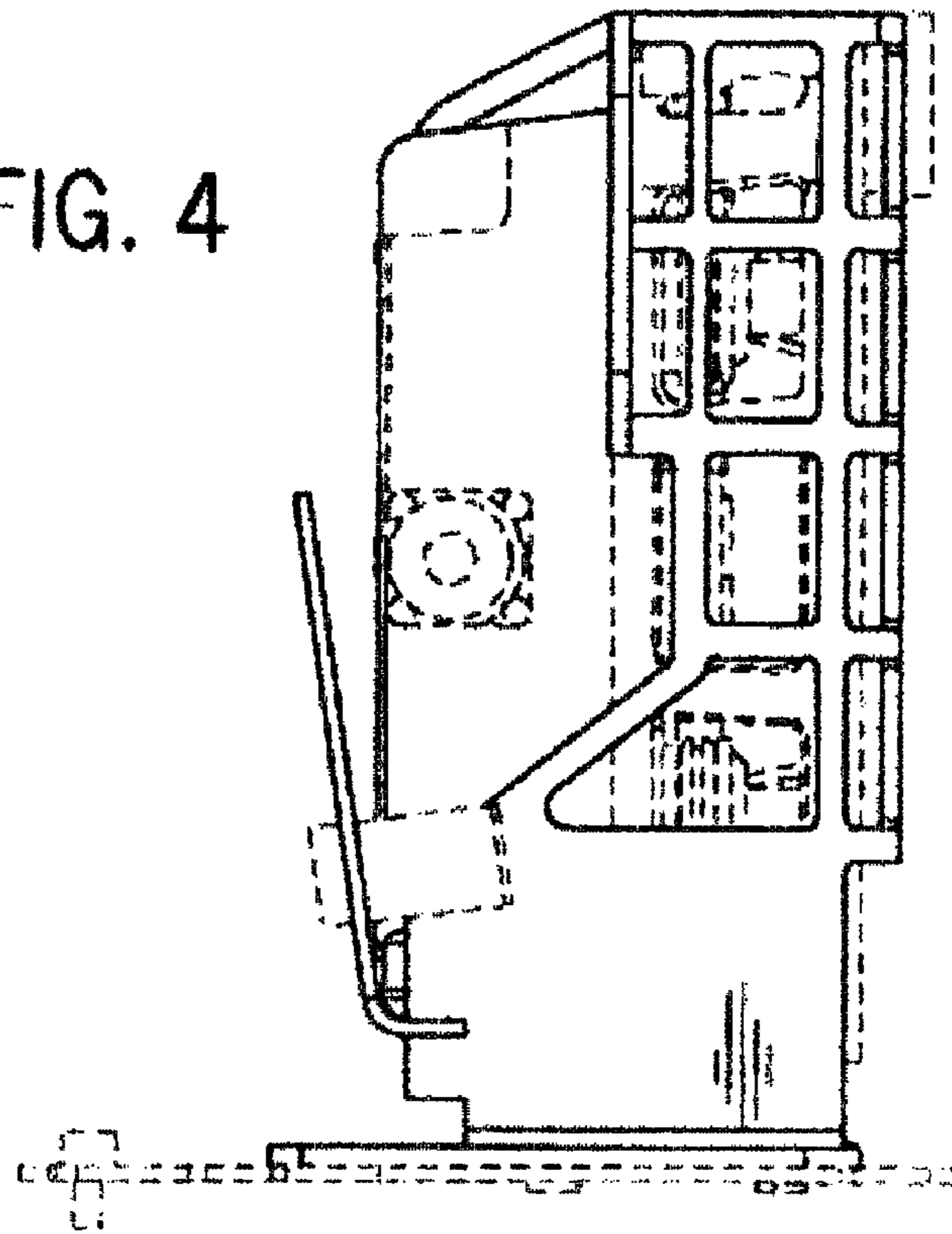
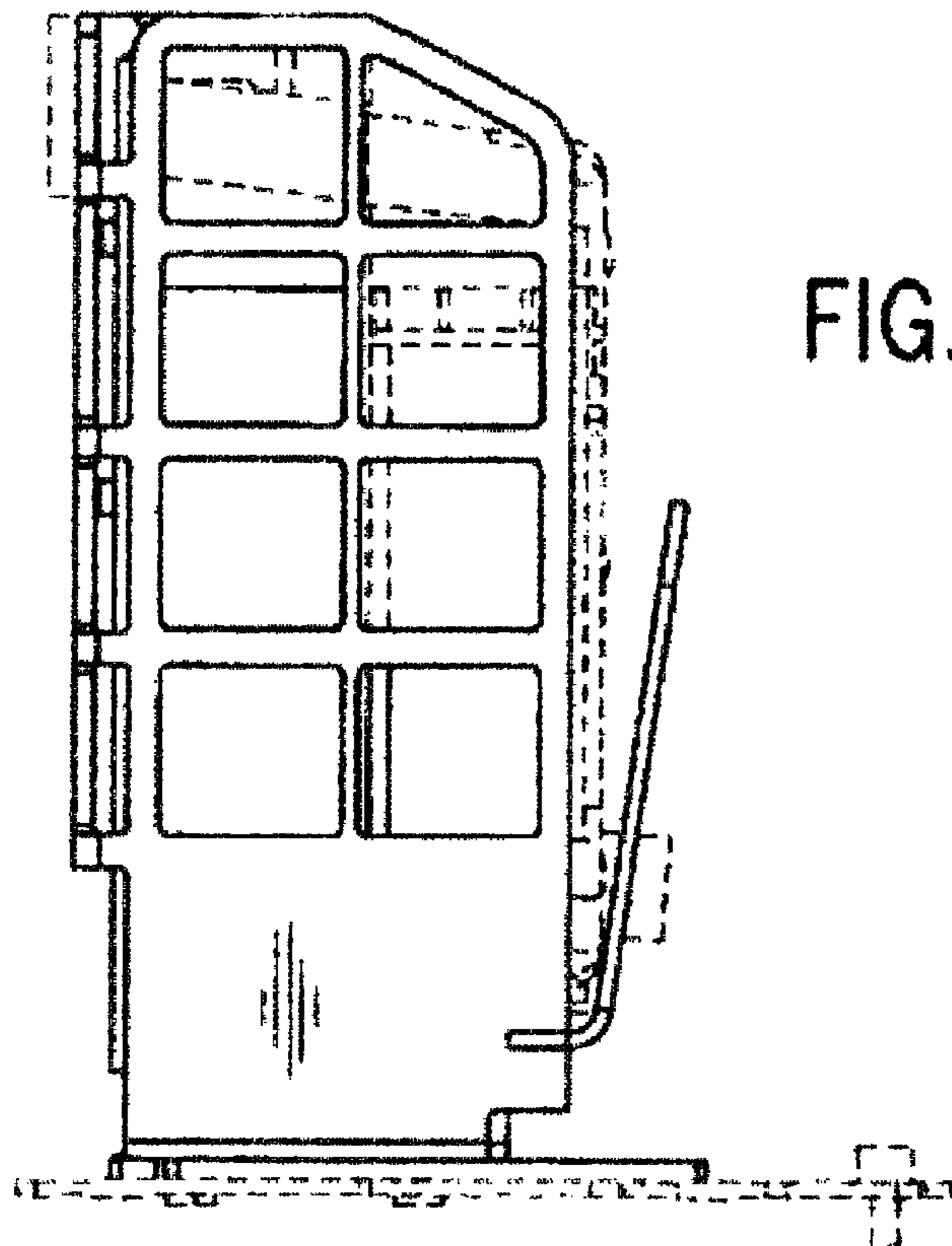


FIG. 5



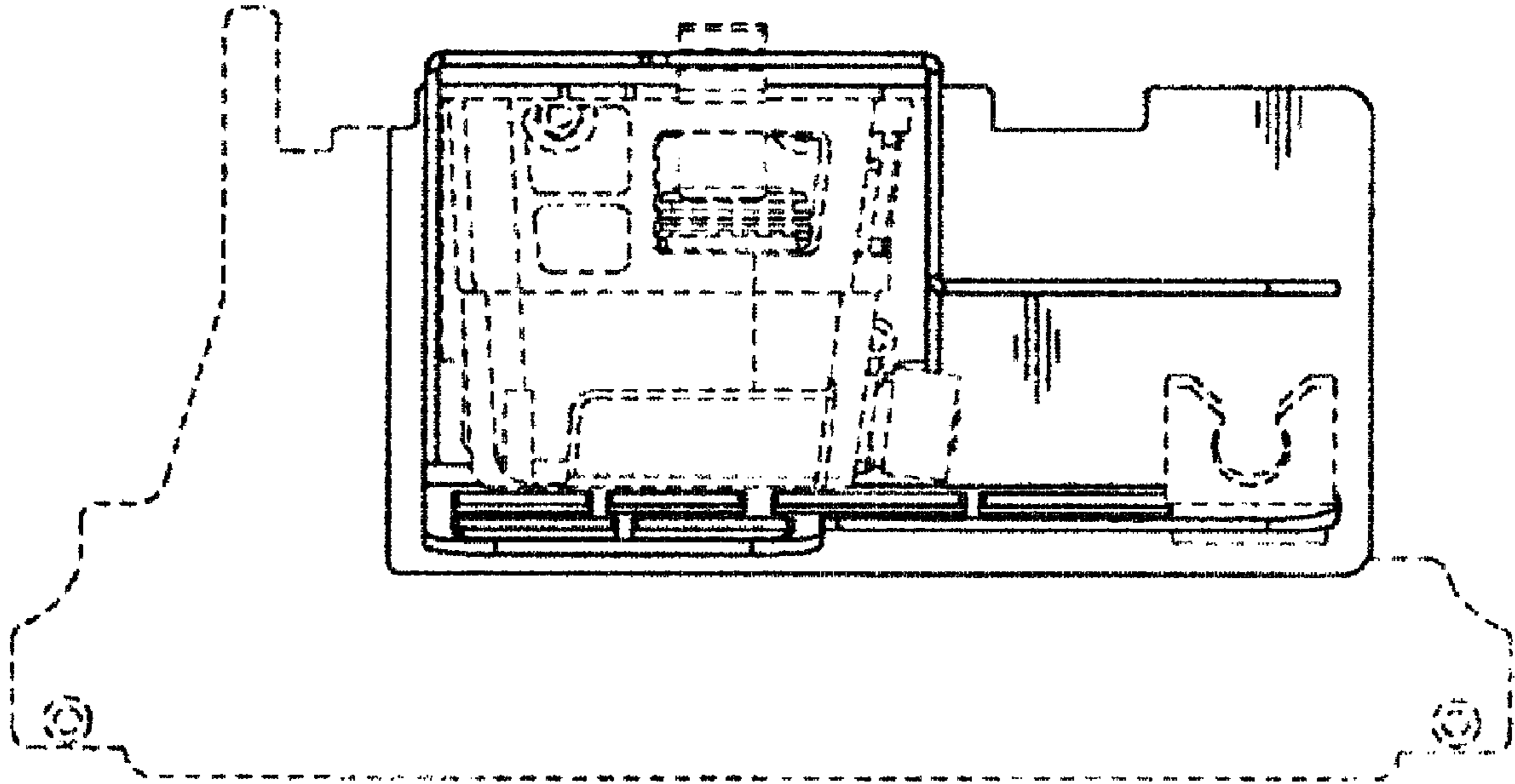
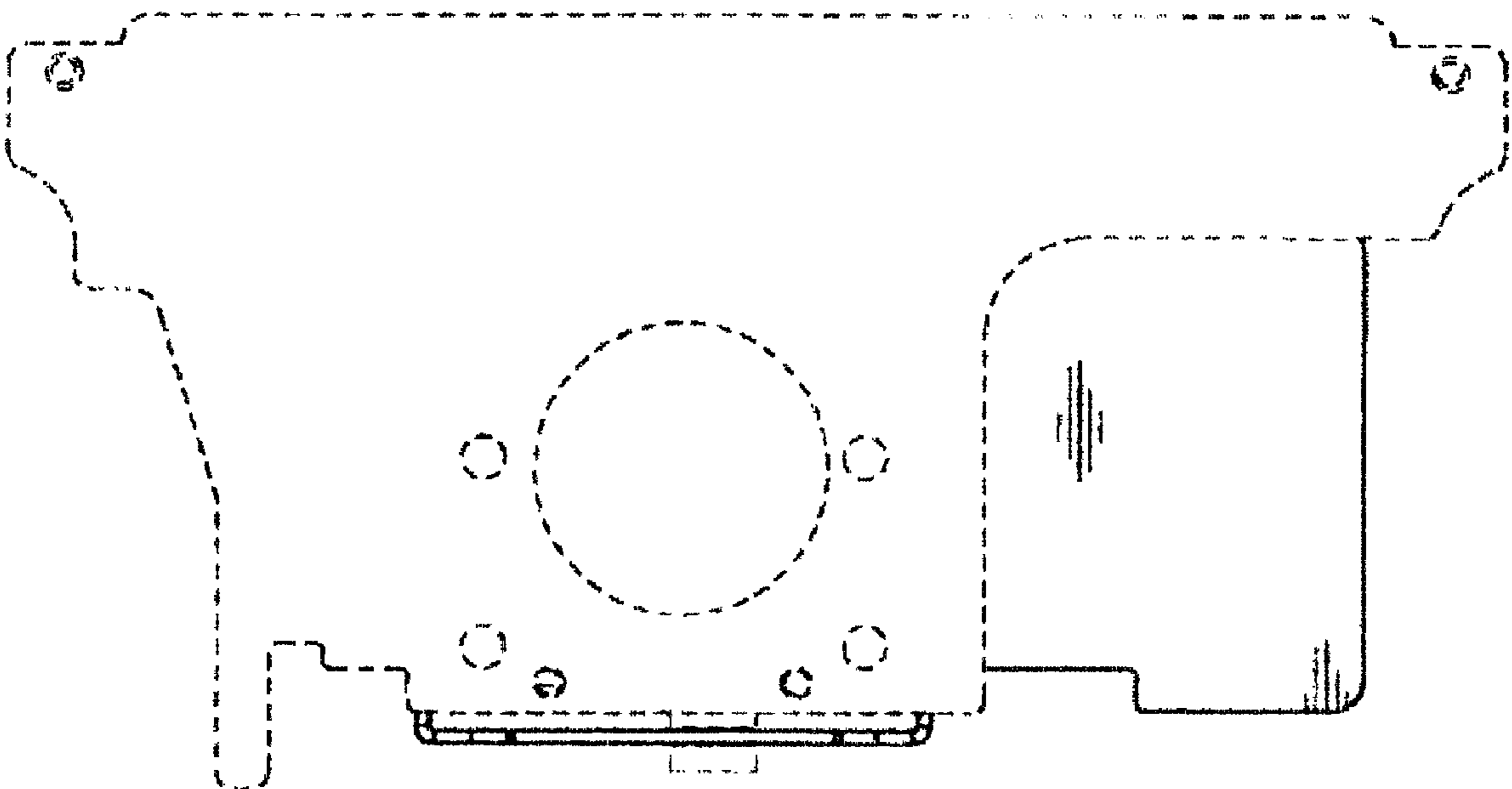


FIG. 6

FIG. 7



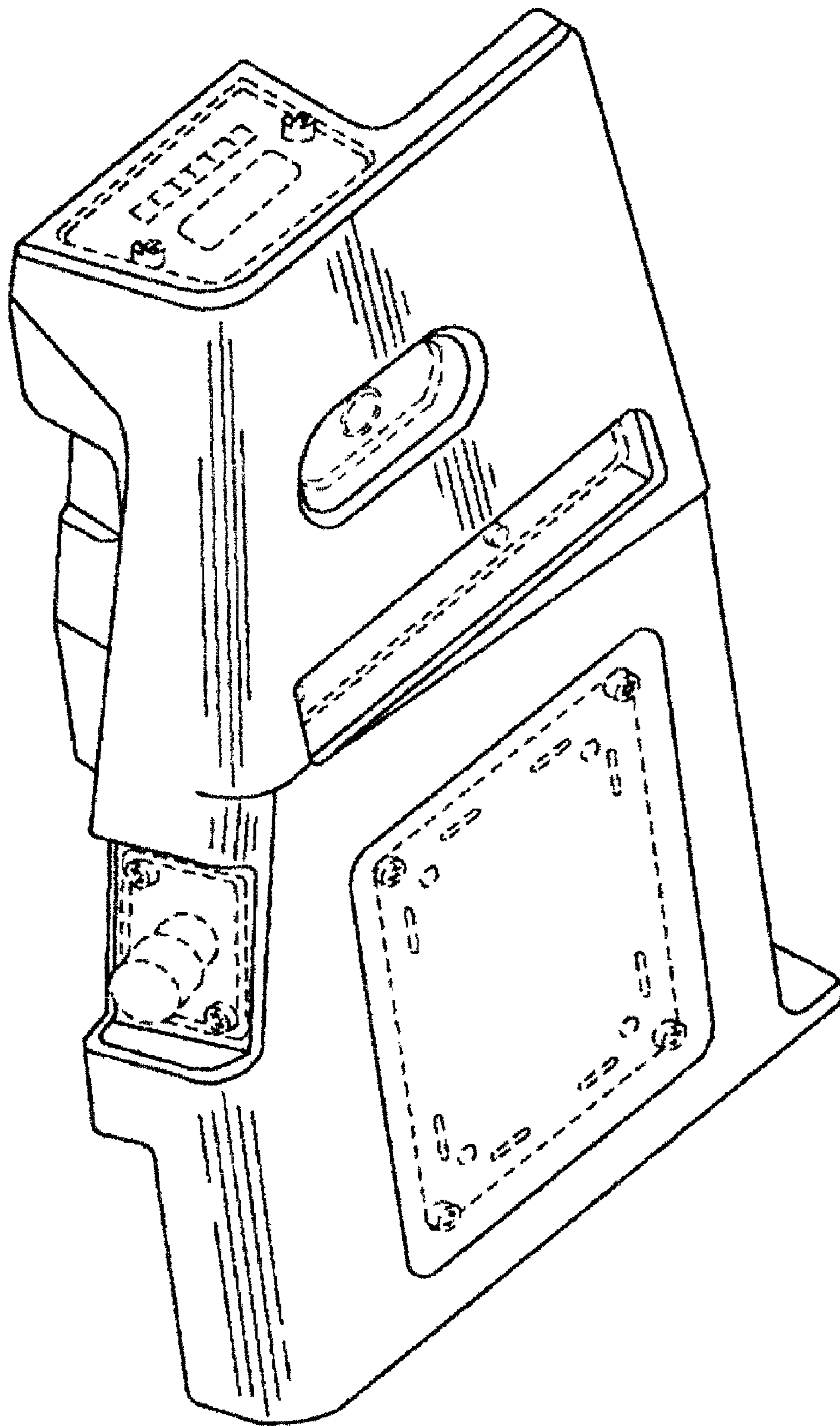


FIG. 8

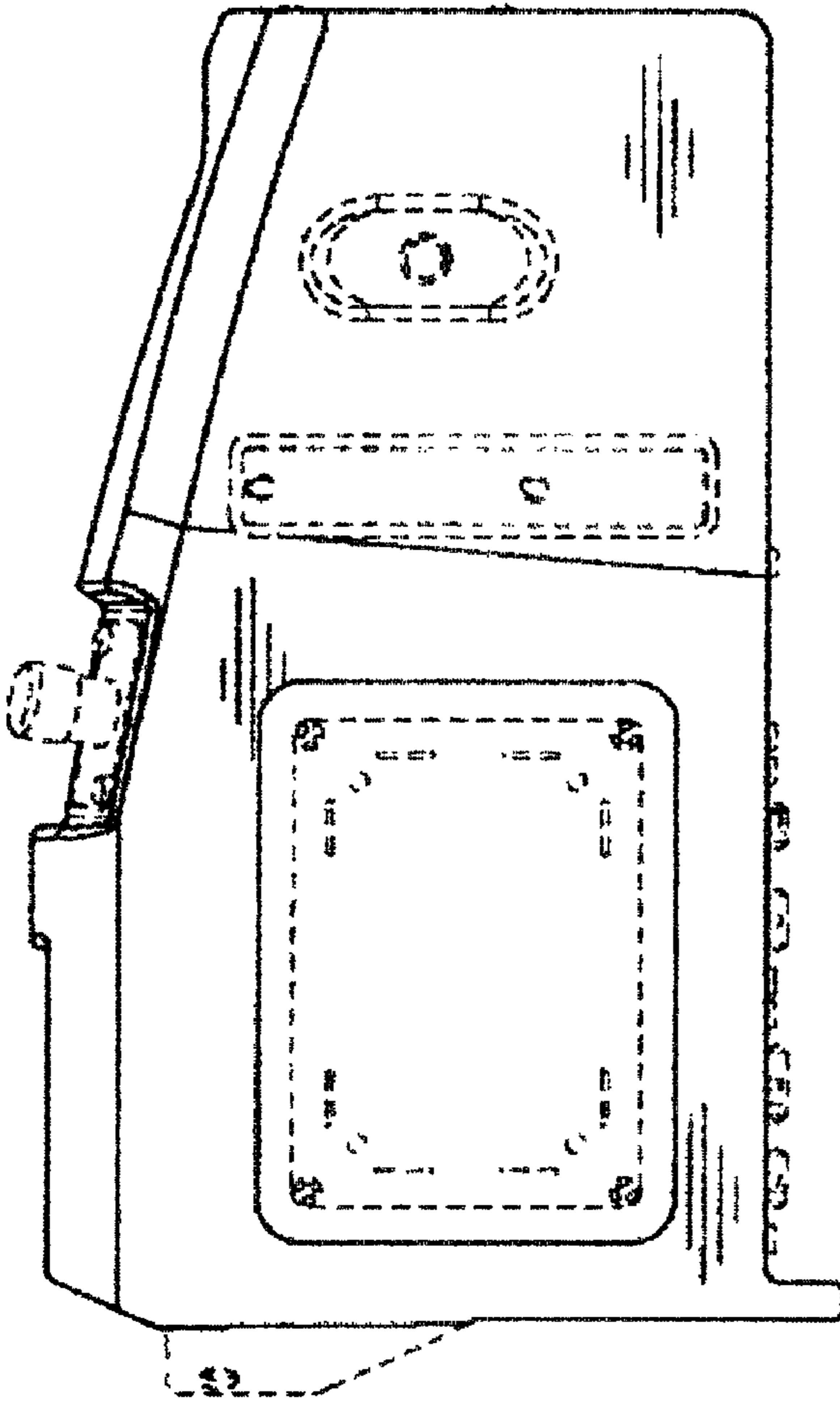


FIG. 9

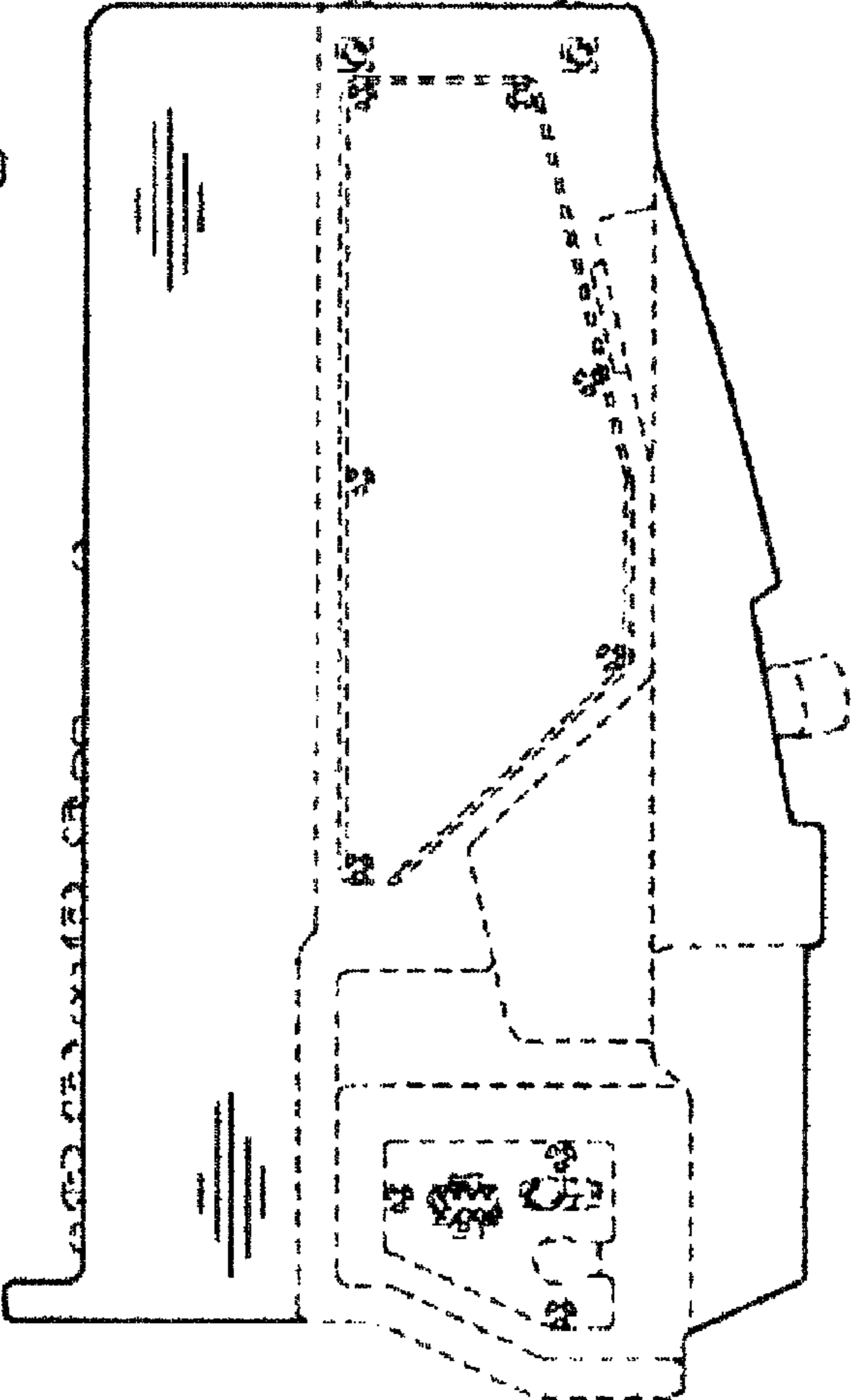


FIG. 10

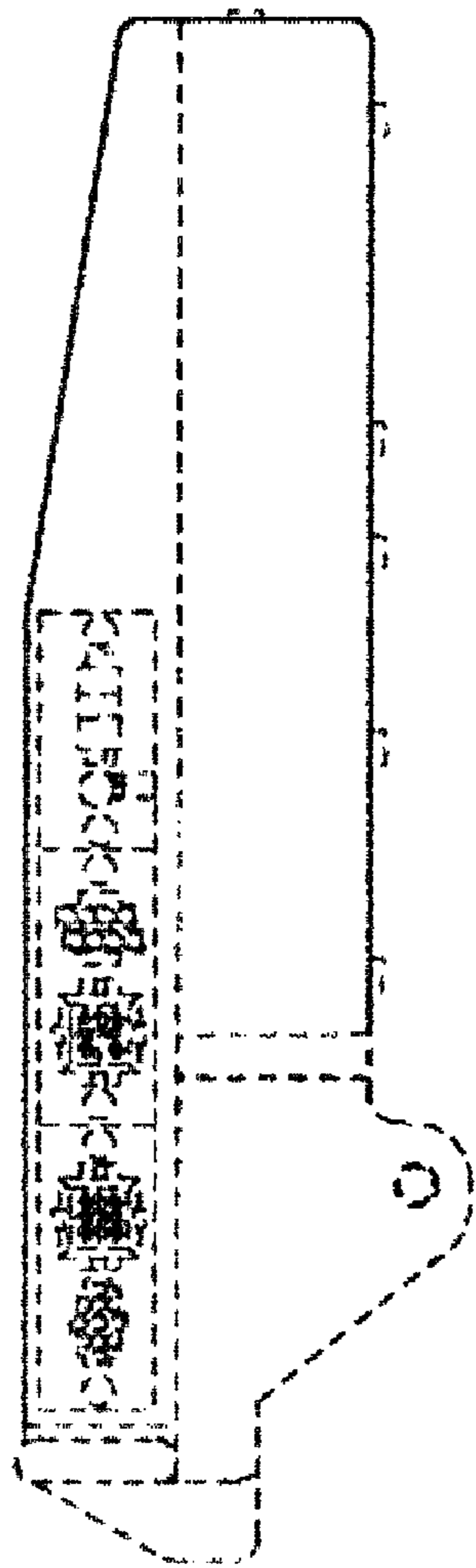


FIG. 11

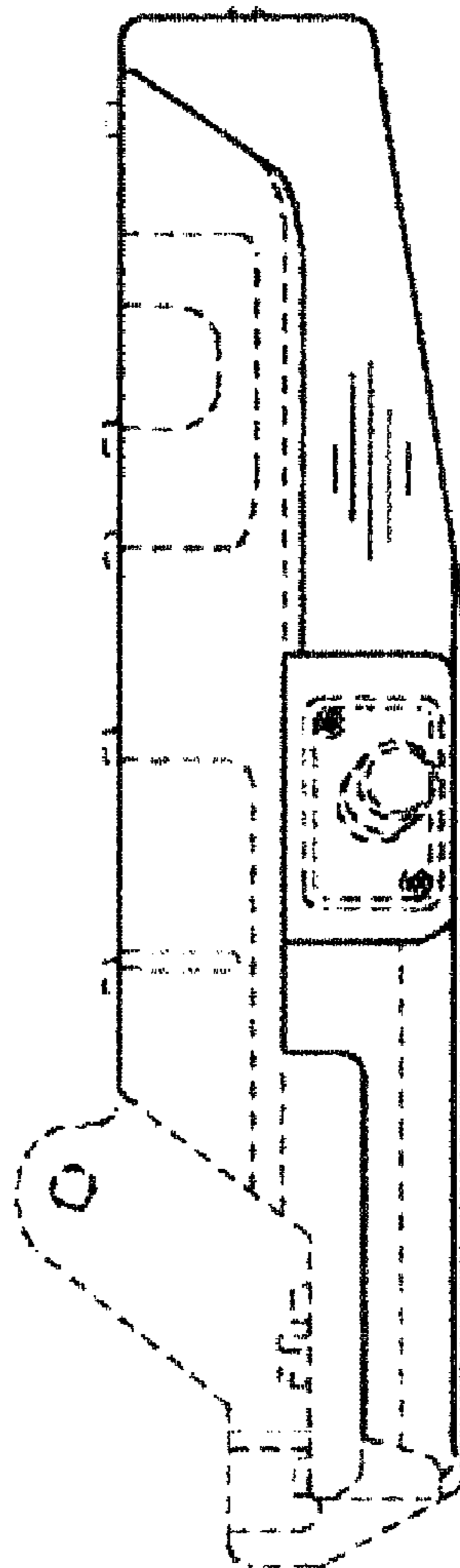


FIG. 12

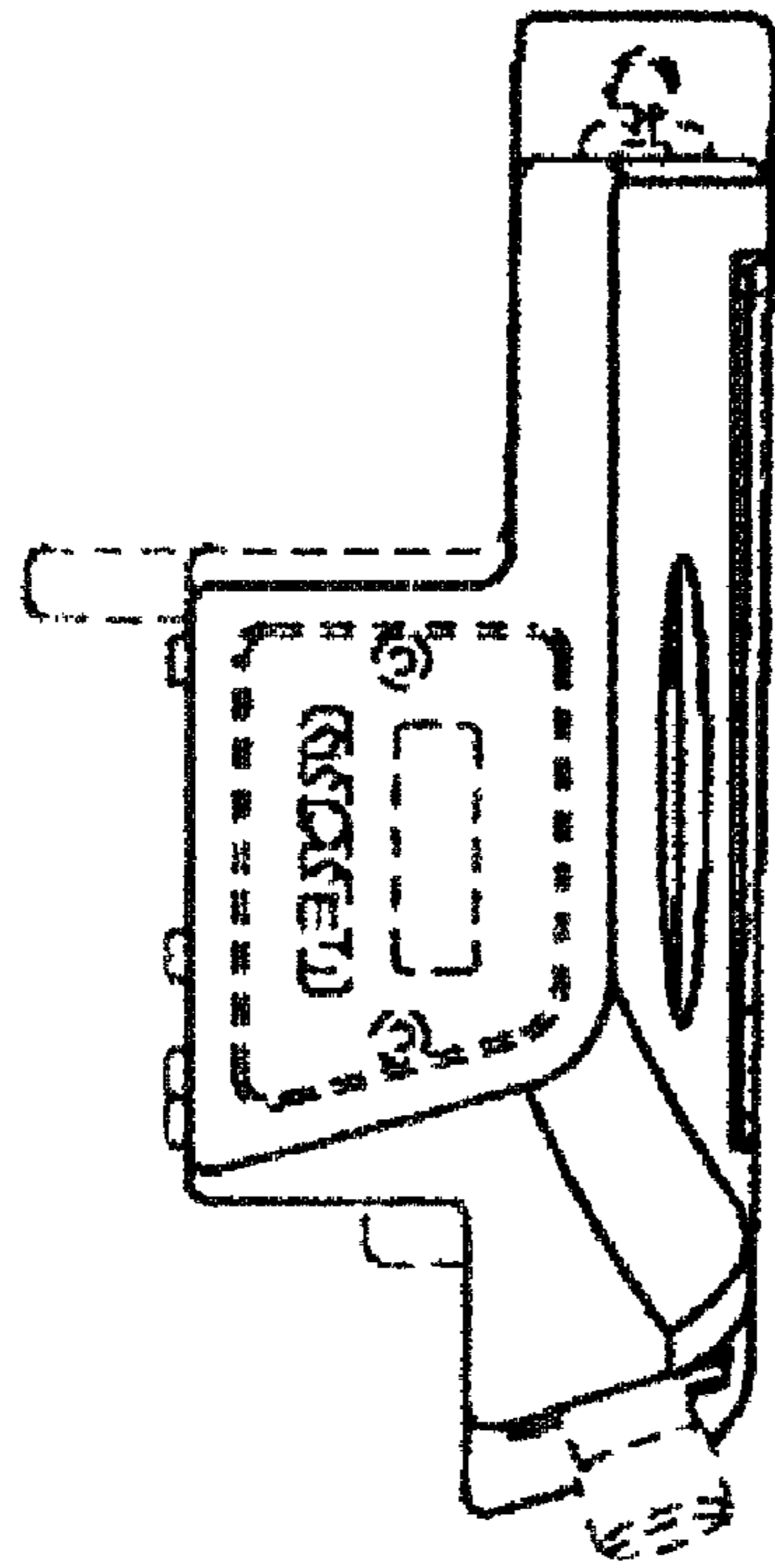


FIG. 13

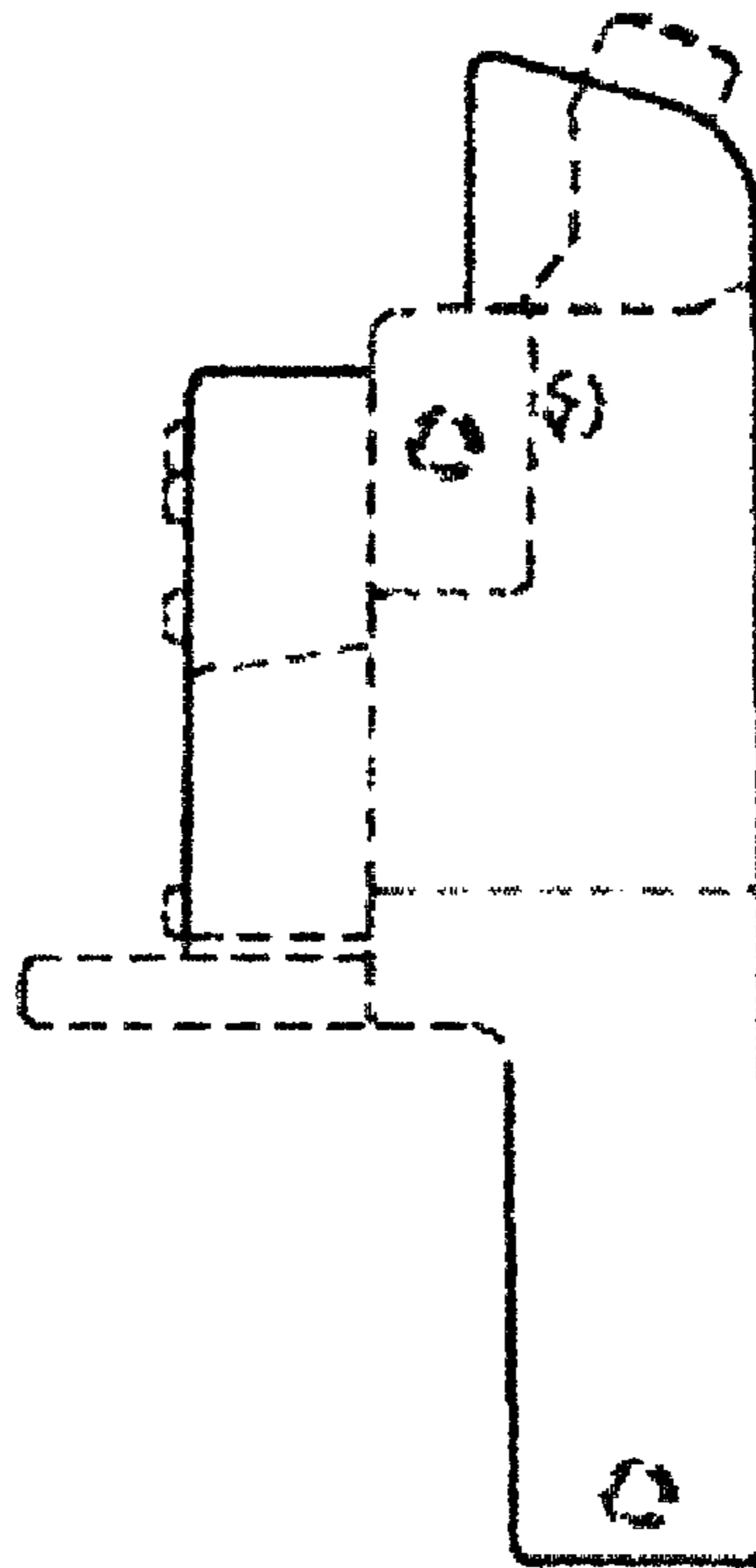


FIG. 14

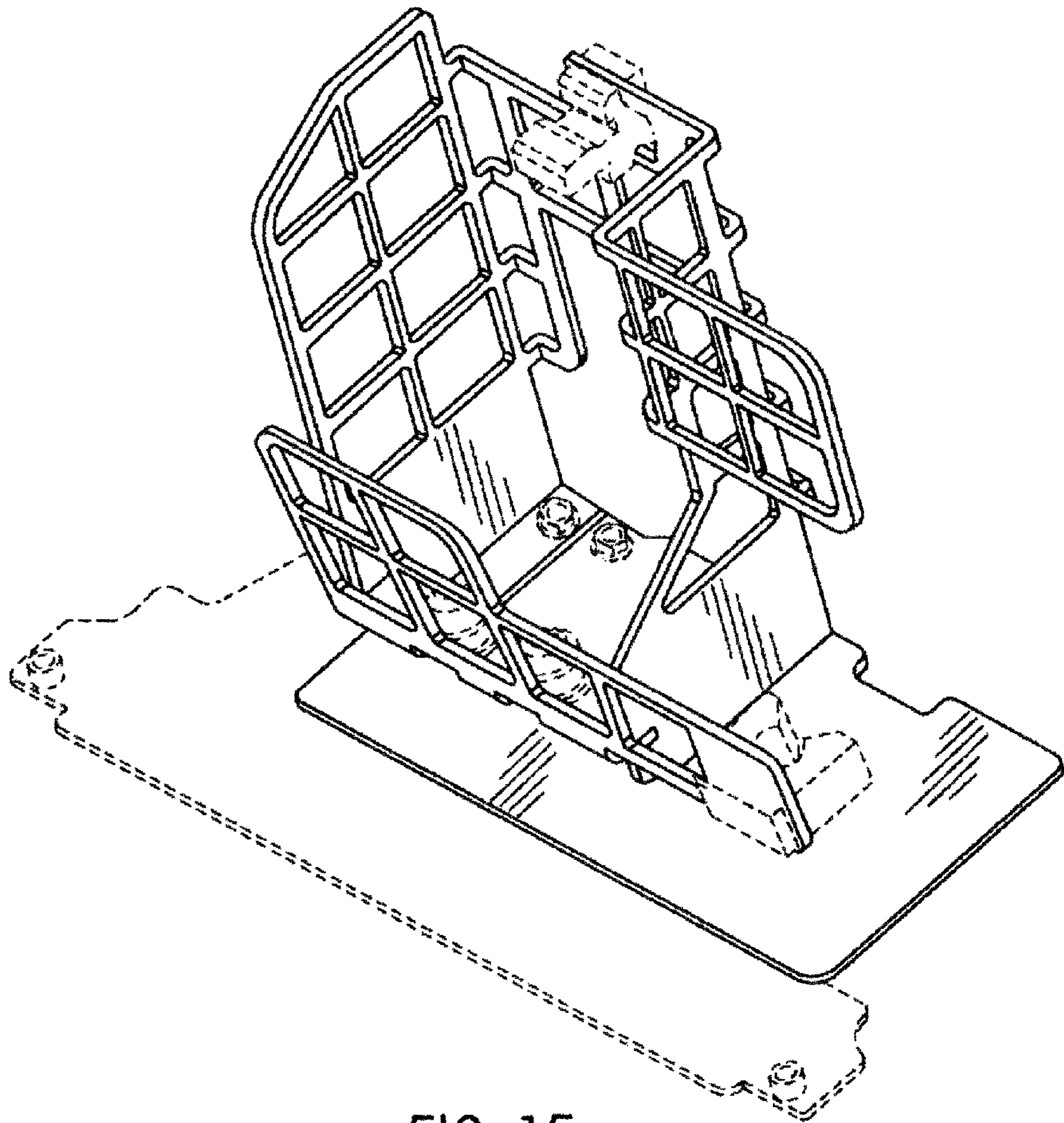


FIG. 15

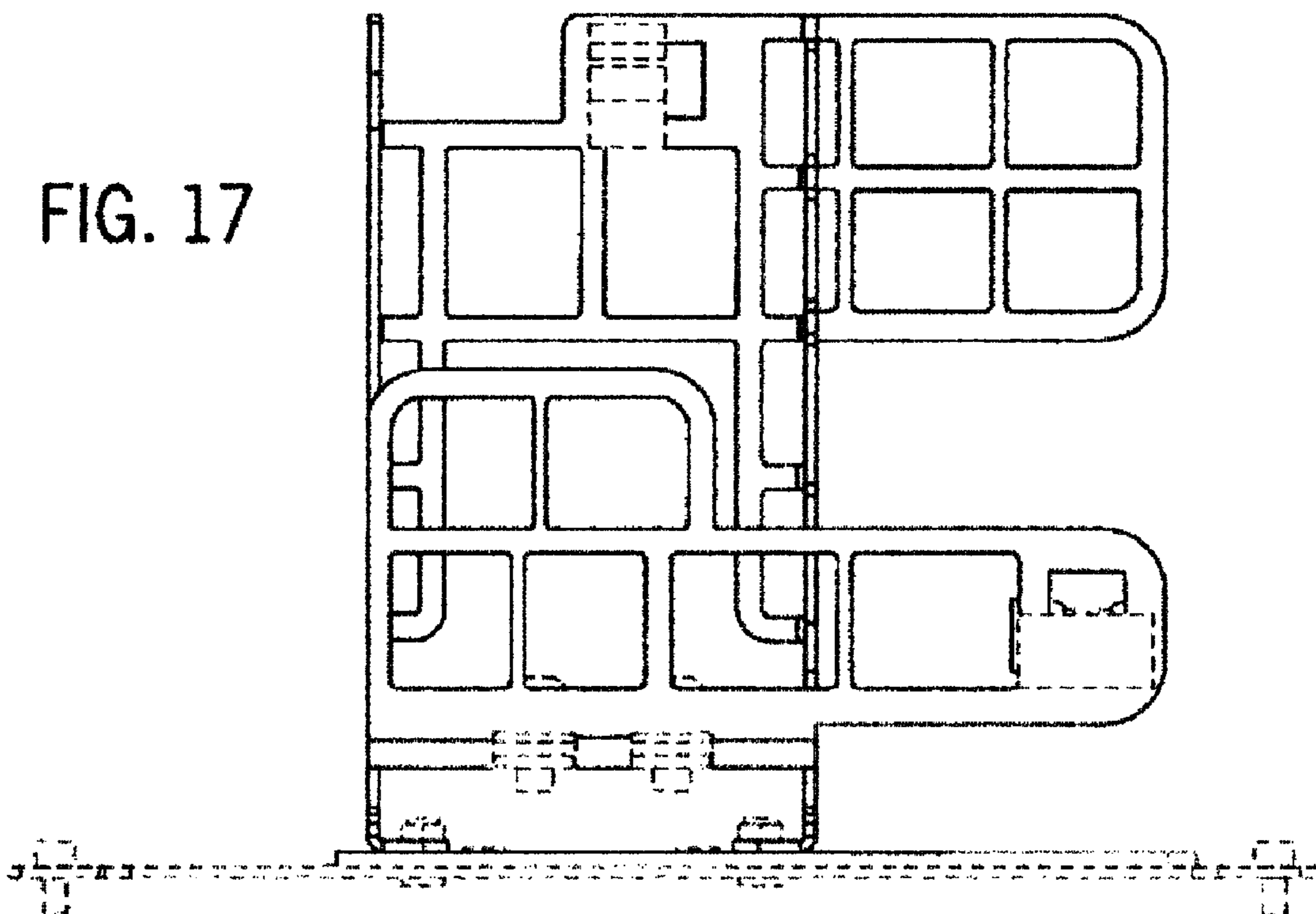
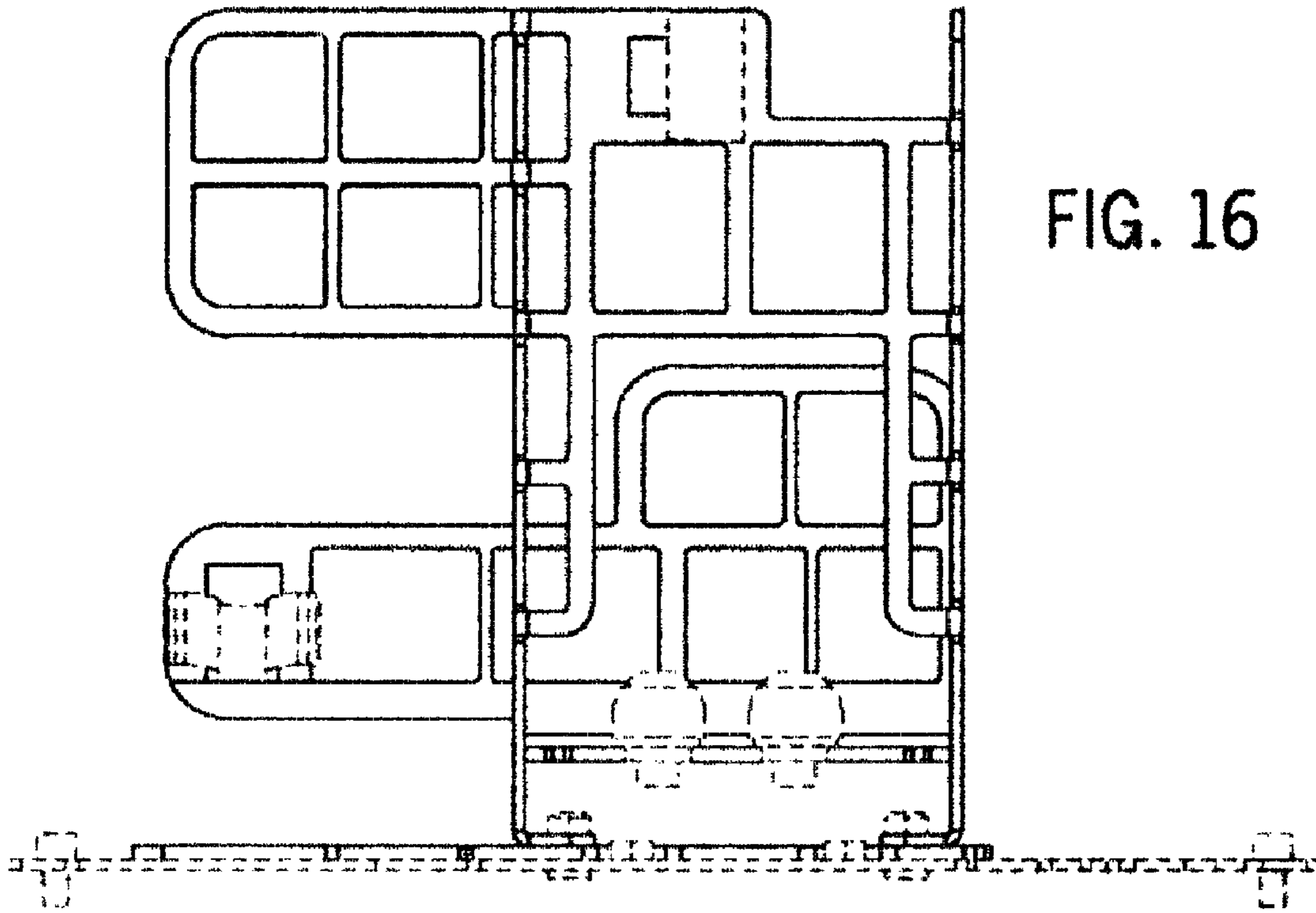


FIG. 18

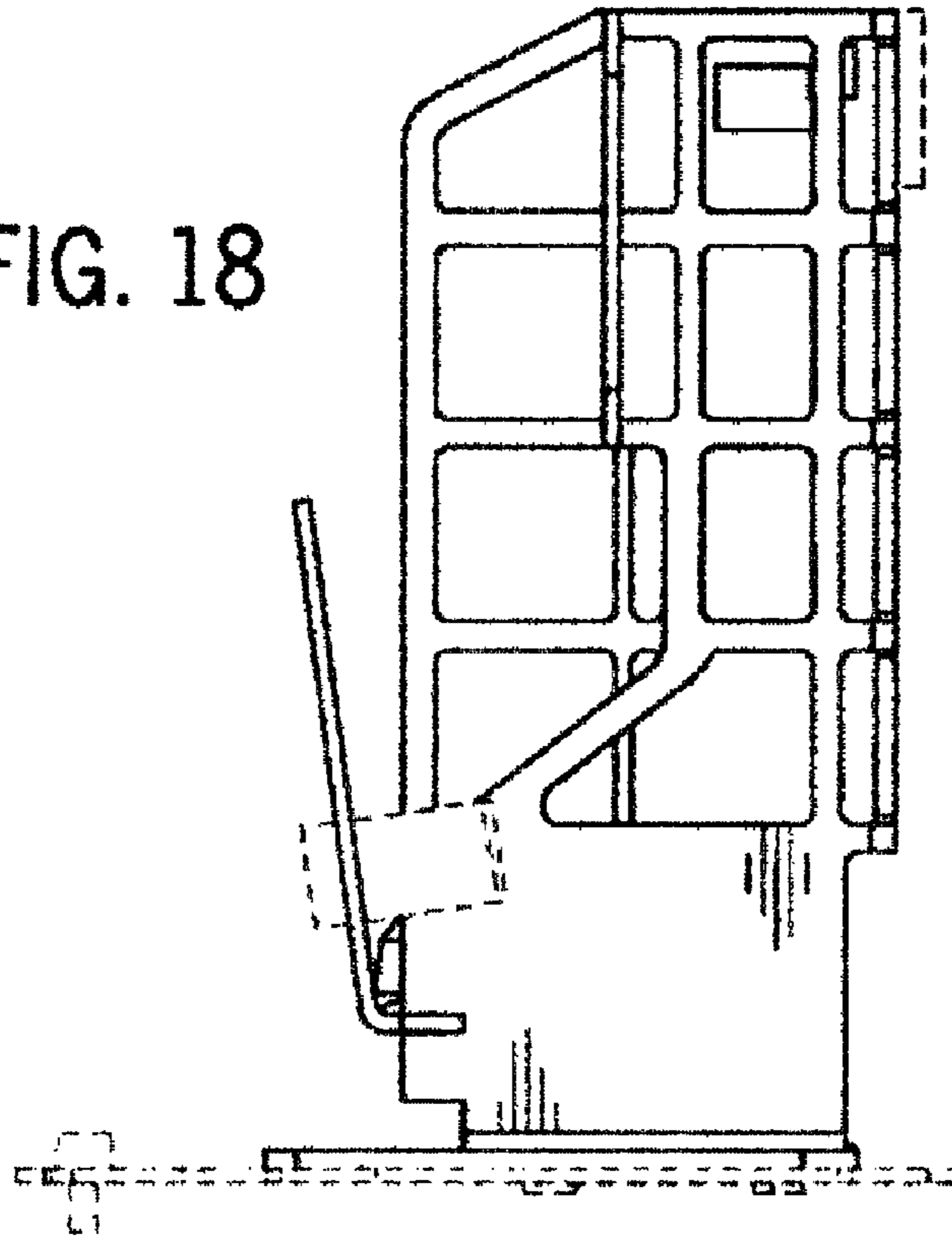
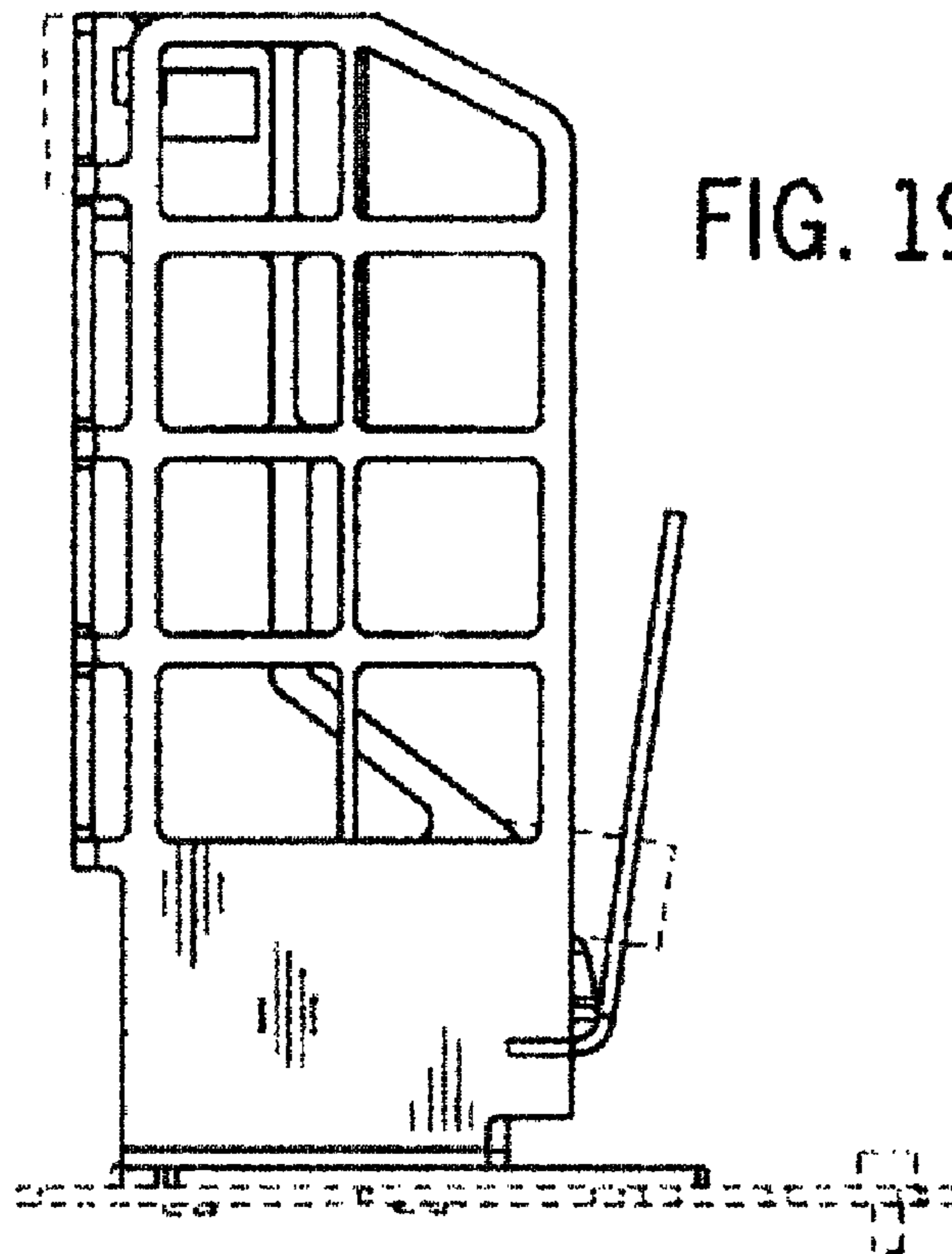


FIG. 19



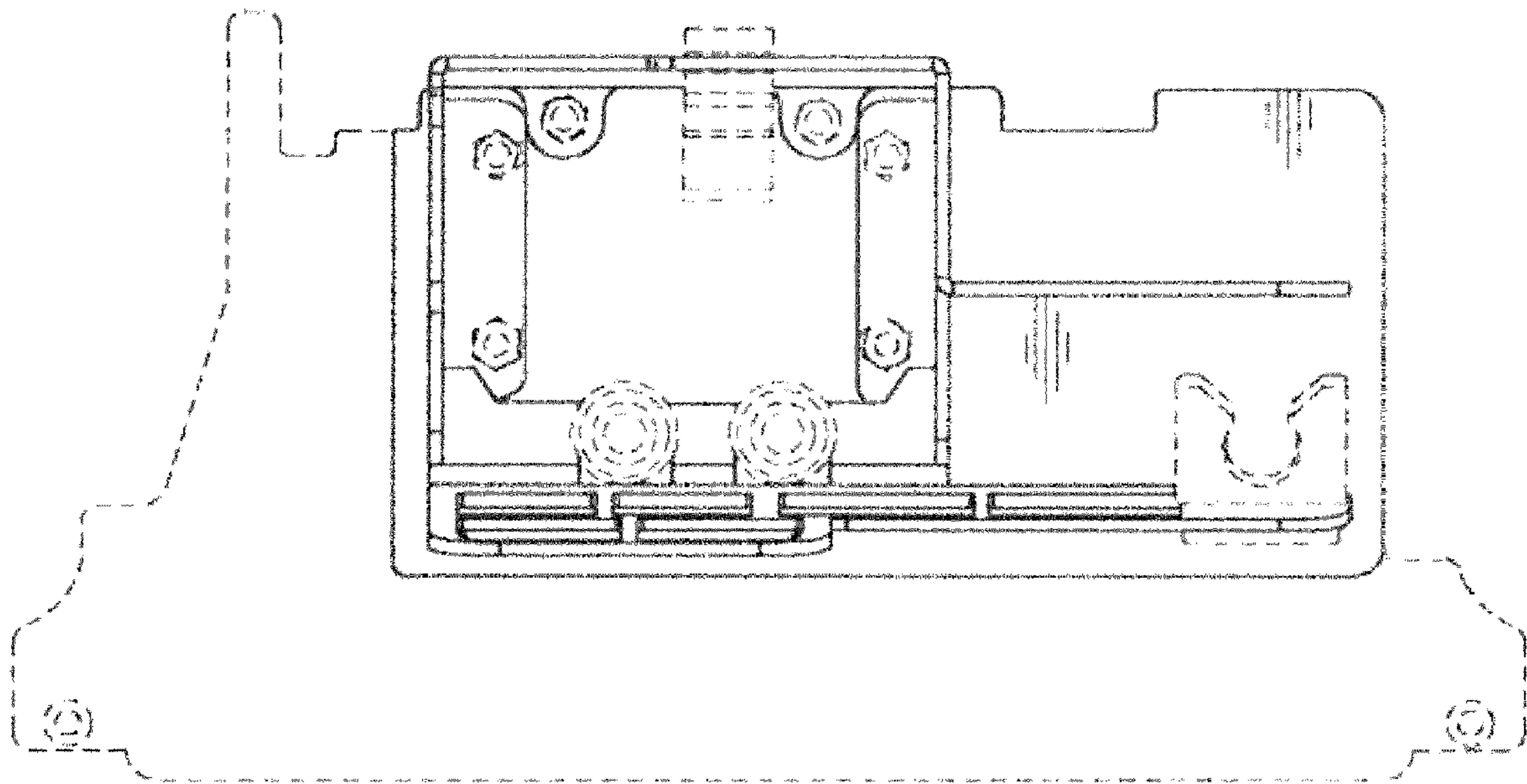


FIG. 20