

US00D661709S

(12) **United States Design Patent**  
**Ishikawa et al.**

(10) **Patent No.:** **US D661,709 S**  
(45) **Date of Patent:** **\*\* Jun. 12, 2012**

(54) **SCROLL PUMP**

(75) Inventors: **Hidetoshi Ishikawa**, Kanagawa (JP);  
**Ryusuke Muto**, Kanagawa (JP); **Yuzo Tanaka**, Osaka (JP)

(73) Assignee: **Anest Iwata Corporation** (JP)

(\*\*) Term: **14 Years**

(21) Appl. No.: **29/402,431**

(22) Filed: **Sep. 23, 2011**

(30) **Foreign Application Priority Data**

Mar. 31, 2011 (JP) ..... 2011-007399

(51) **LOC (9) Cl.** ..... **15-02**

(52) **U.S. Cl.** ..... **D15/7**

(58) **Field of Classification Search** ..... D15/7-9;  
D23/231, 232, 225; 417/60, 235, 265, 321,  
417/355, 358, 363, 359, 410.1, 415-416,  
417/405, 900; 60/408, 412; 184/26-37;  
415/140-147; 123/495, 509

See application file for complete search history.

(56) **References Cited**

**U.S. PATENT DOCUMENTS**

D377,938 S \* 2/1997 Rozek ..... D15/9  
D388,439 S \* 12/1997 Cantley et al. .... D15/7

D394,068 S \* 5/1998 Pollich et al. .... D15/9  
D419,161 S \* 1/2000 Broughton ..... D15/7  
D444,799 S \* 7/2001 Thomas et al. .... D15/9  
D470,509 S \* 2/2003 Chen ..... D15/9  
D603,426 S \* 11/2009 Hauser et al. .... D15/7  
D644,251 S 8/2011 Serita

**FOREIGN PATENT DOCUMENTS**

JP 1377689 1/2010

\* cited by examiner

*Primary Examiner* — Ralf Seifert

(74) *Attorney, Agent, or Firm* — Ostrolenk Faber LLP

(57) **CLAIM**

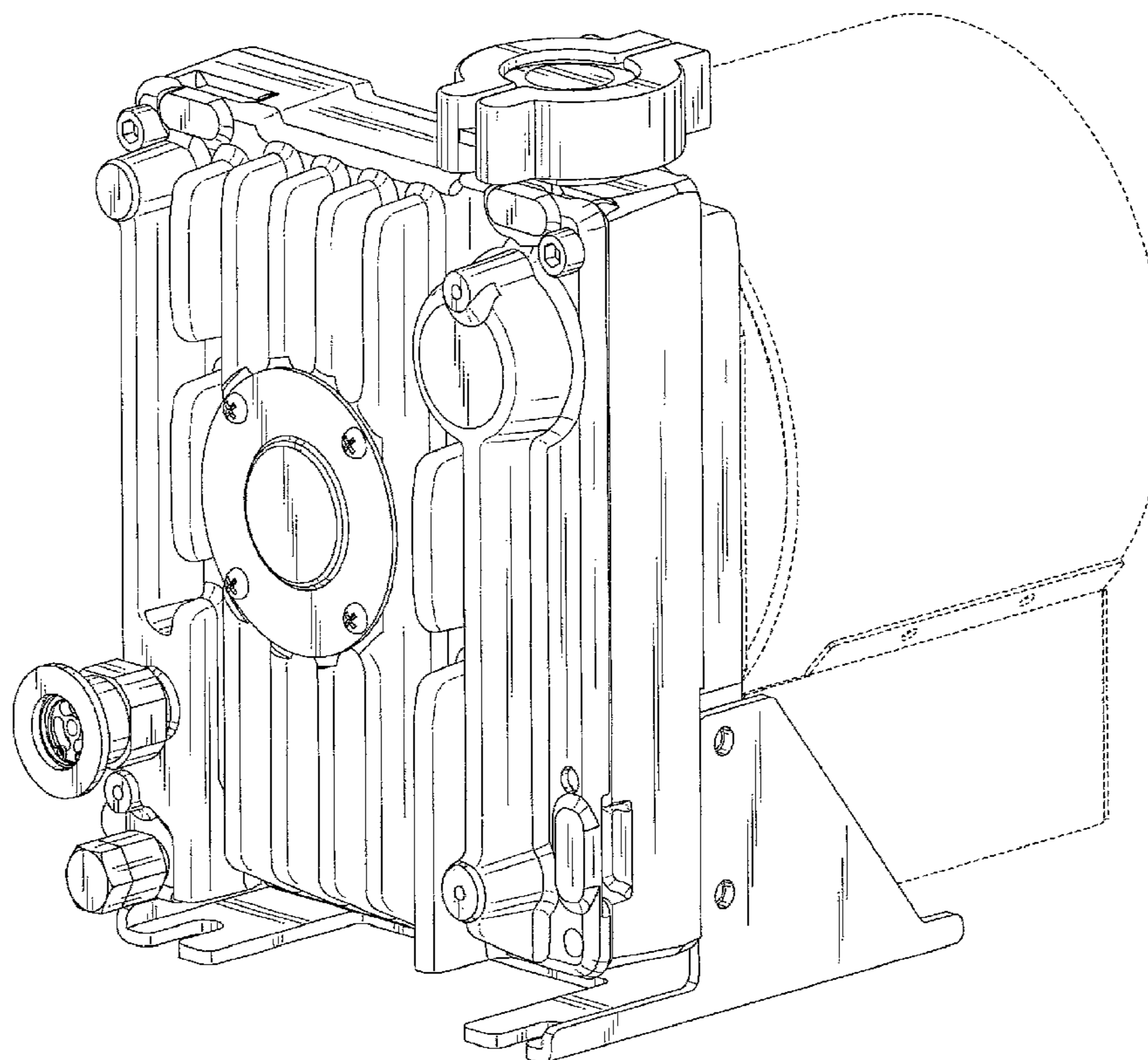
The ornamental design for a scroll pump, as shown and described.

**DESCRIPTION**

FIG. 1 is a front perspective view of a scroll pump showing our new design;  
FIG. 2 is a front elevational view thereof;  
FIG. 3 is a rear elevational view thereof;  
FIG. 4 is a top plan view thereof;  
FIG. 5 is a bottom plan view thereof;  
FIG. 6 is a left side view thereof; and,  
FIG. 7 is a right side view thereof.

The broken lines in the drawings illustrate environmental material that forms no part of the claimed design.

**1 Claim, 7 Drawing Sheets**



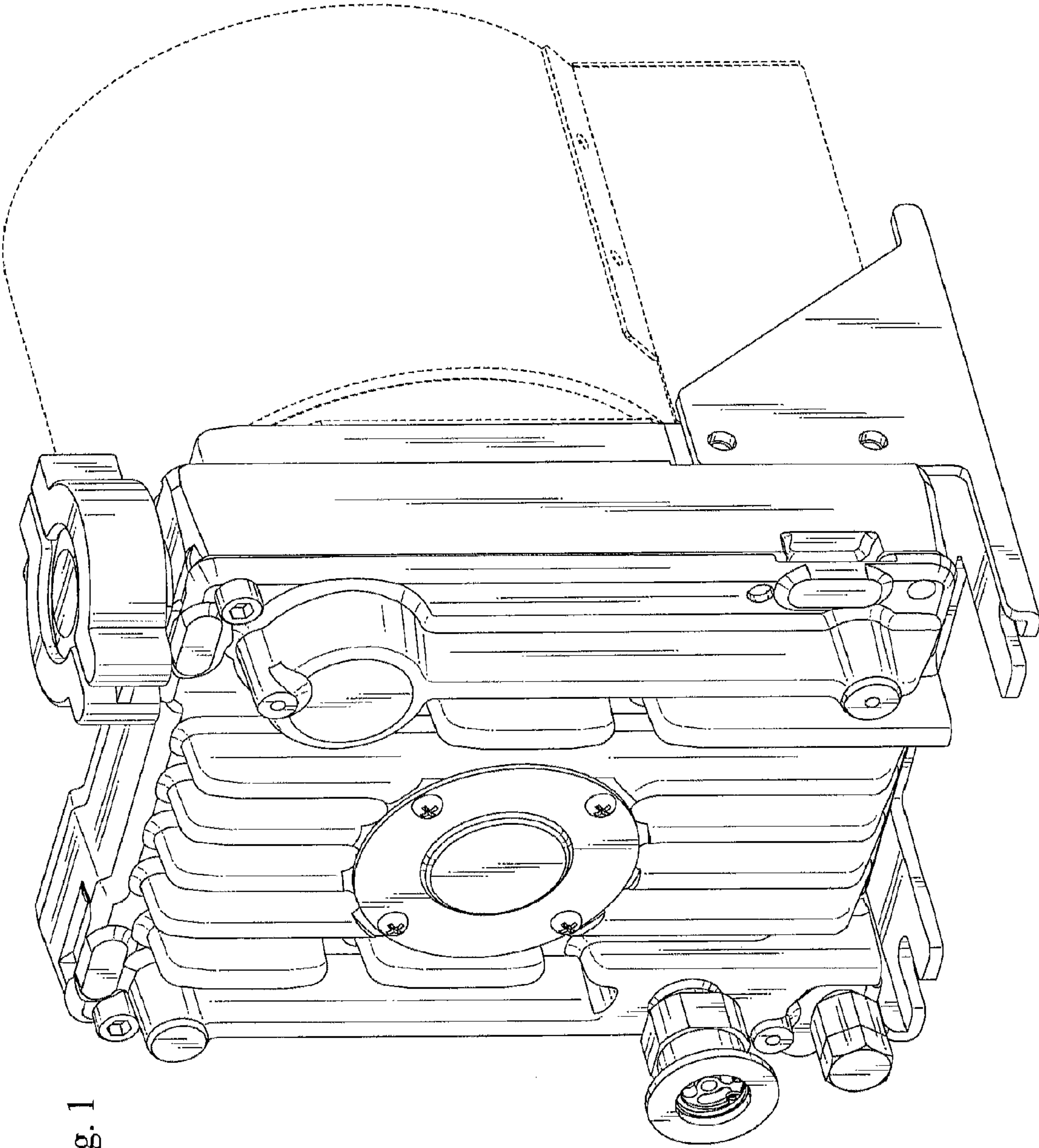


Fig. 1

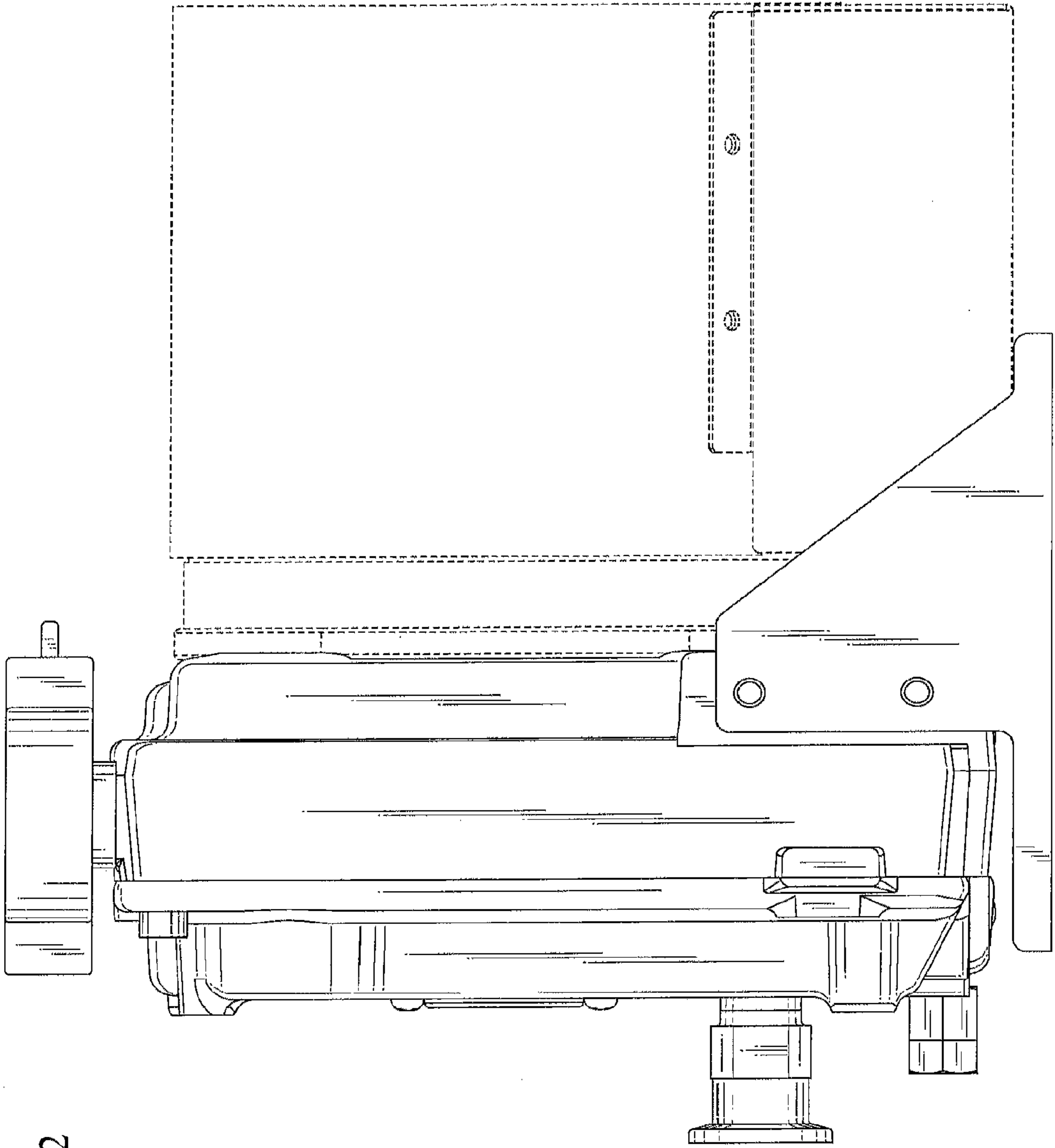


Fig. 2

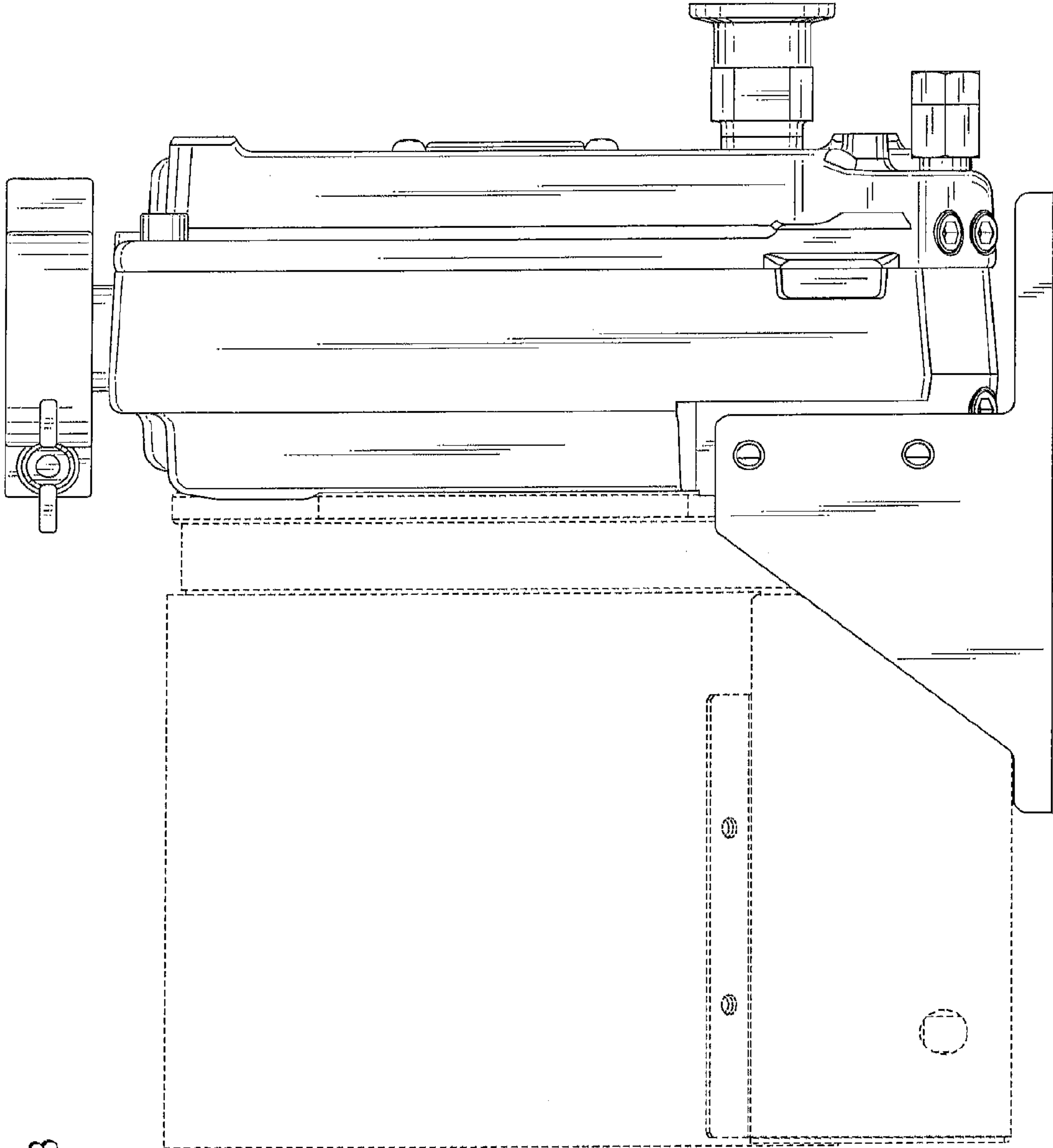


Fig. 3

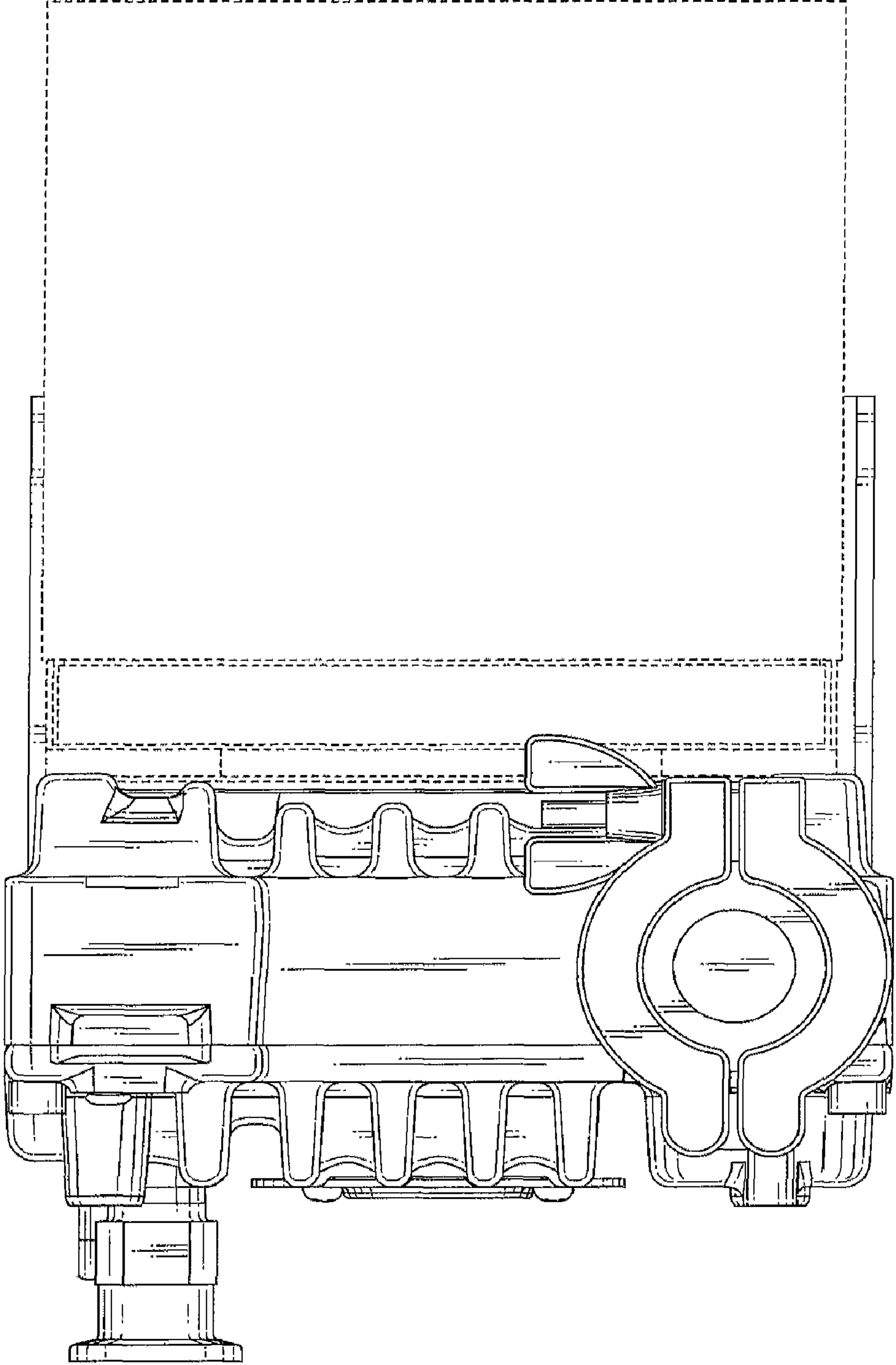


Fig. 4

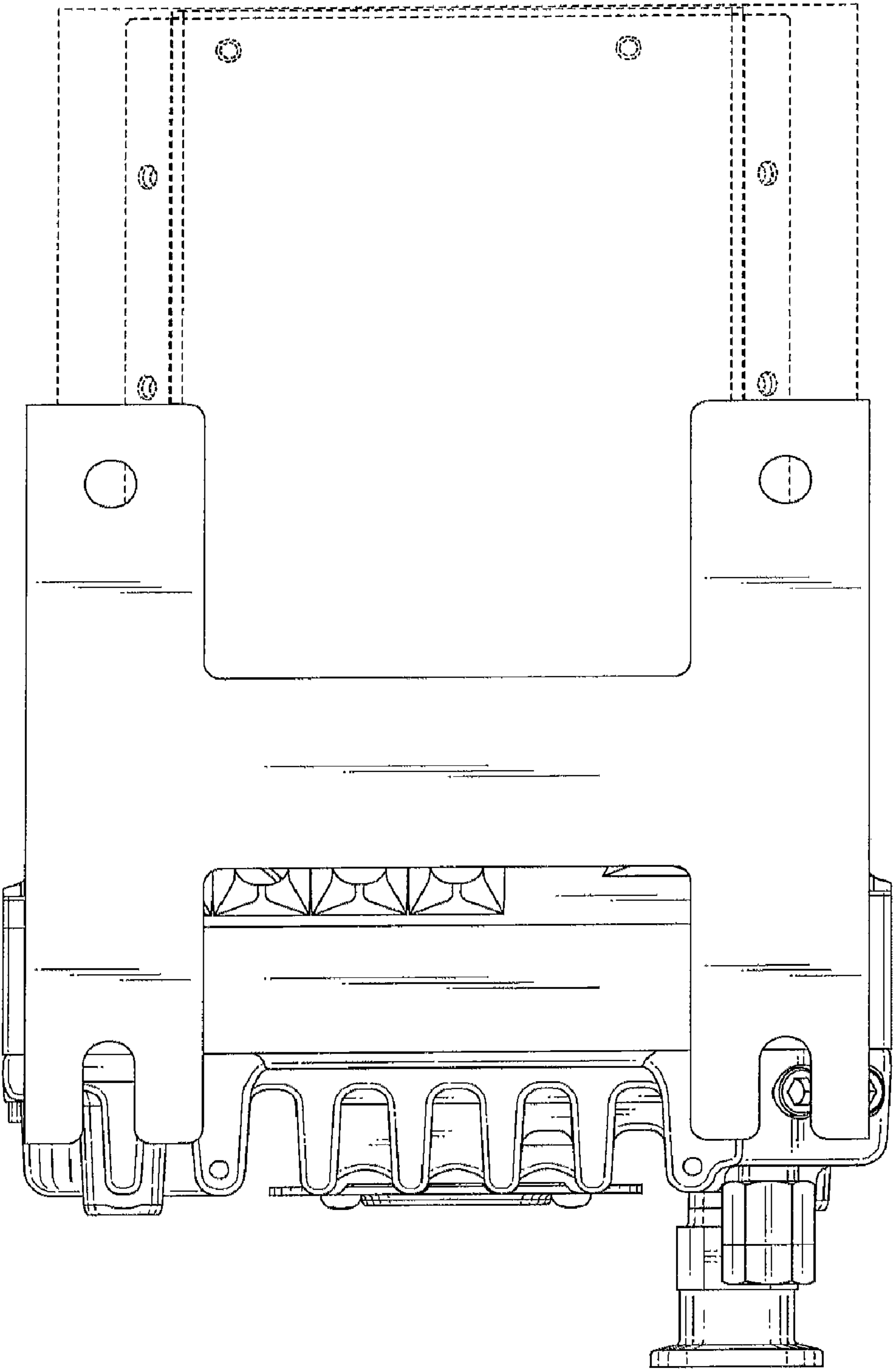


Fig. 5

Fig. 6

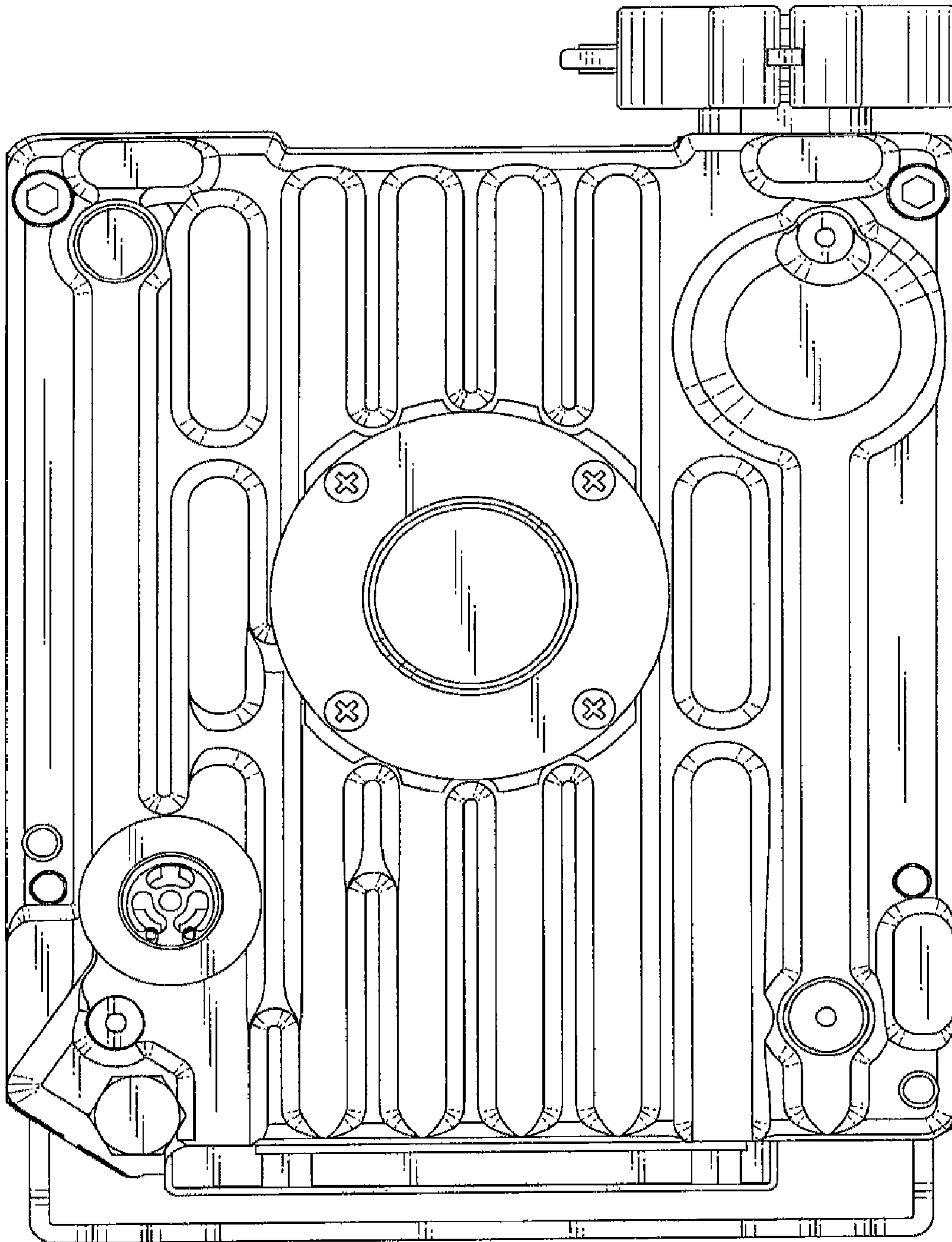


Fig. 7

