

US00D661707S

(12) **United States Design Patent**
Akana et al.

(10) **Patent No.:** **US D661,707 S**
(45) **Date of Patent:** **** Jun. 12, 2012**

(54) **DISPLAY MODULE FOR AN ELECTRONIC DEVICE**

(75) Inventors: **Jody Akana**, San Francisco, CA (US); **Bartley K. Andre**, Menlo Park, CA (US); **Joshua D. Banko**, Palo Alto, CA (US); **Daniel J. Coster**, San Francisco, CA (US); **Daniele De Iuliis**, San Francisco, CA (US); **Evans Hankey**, San Francisco, CA (US); **Richard P. Howarth**, San Francisco, CA (US); **Jonathan P. Ive**, San Francisco, CA (US); **Steve Jobs**, Palo Alto, CA (US); **Duncan Robert Kerr**, San Francisco, CA (US); **Stephen McClure**, San Francisco, CA (US); **Shin Nishibori**, Portola Valley, CA (US); **Matthew Dean Rohrbach**, San Francisco, CA (US); **Peter Russell-Clarke**, San Francisco, CA (US); **Christopher J. Stringer**, Woodside, CA (US); **John P. Ternus**, Redwood City, CA (US); **Eugene Antony Whang**, San Francisco, CA (US); **Rico Zorkendorfer**, San Francisco, CA (US)

(73) Assignee: **Apple Inc.**, Cupertino, CA (US)

(**) Term: **14 Years**

(21) Appl. No.: **29/376,057**

(22) Filed: **Sep. 30, 2010**

(51) **LOC (9) Cl.** **14-03**

(52) **U.S. Cl.** **D14/496; D14/203.3**

(58) **Field of Classification Search** D14/496, D14/401, 435, 474, 483, 217, 137, 138, 160, D14/168, 356, 203.1–203.8, 507; 345/156, 345/169, 173–179, 905; 715/727–729, 864; 710/1, 5, 8; 713/1, 600; 455/1.1, 1.7, 73, 455/344–347, 93, 95, 3.01–3.06, 550.1, 573.1; 370/342–344; 369/1, 2, 6–12; 463/43–47; 273/148 B

See application file for complete search history.

(56) **References Cited**

U.S. PATENT DOCUMENTS

3,297,974	A *	1/1967	Pittman	439/331
4,493,145	A *	1/1985	Honda	29/840
4,791,608	A *	12/1988	Fushimoto	365/52
D304,448	S	11/1989	De La Cruz et al.	
D306,583	S	3/1990	Krolopp et al.	
D345,346	S *	3/1994	Alfonso et al.	D14/341
5,715,622	A *	2/1998	Giordano, Jr.	40/661.03
D396,452	S *	7/1998	Naruki	D14/424
D408,794	S *	4/1999	Ogasawara	D14/341
6,040,829	A *	3/2000	Croy et al.	715/864
D451,505	S *	12/2001	Iseki et al.	D14/341
D455,433	S	4/2002	Alviar et al.	
D458,252	S *	6/2002	Palm et al.	D14/343
D498,754	S	11/2004	Blyth	
D504,889	S	5/2005	Andre et al.	

(Continued)

OTHER PUBLICATIONS

U.S. Appl. No. 29/353,311, Akana et al., "Portable Display Device", filed Jan. 6, 2010.

(Continued)

Primary Examiner — Prabhakar Deshmukh

(74) *Attorney, Agent, or Firm* — Sterne, Kessler, Goldstein & Fox P.L.L.C.

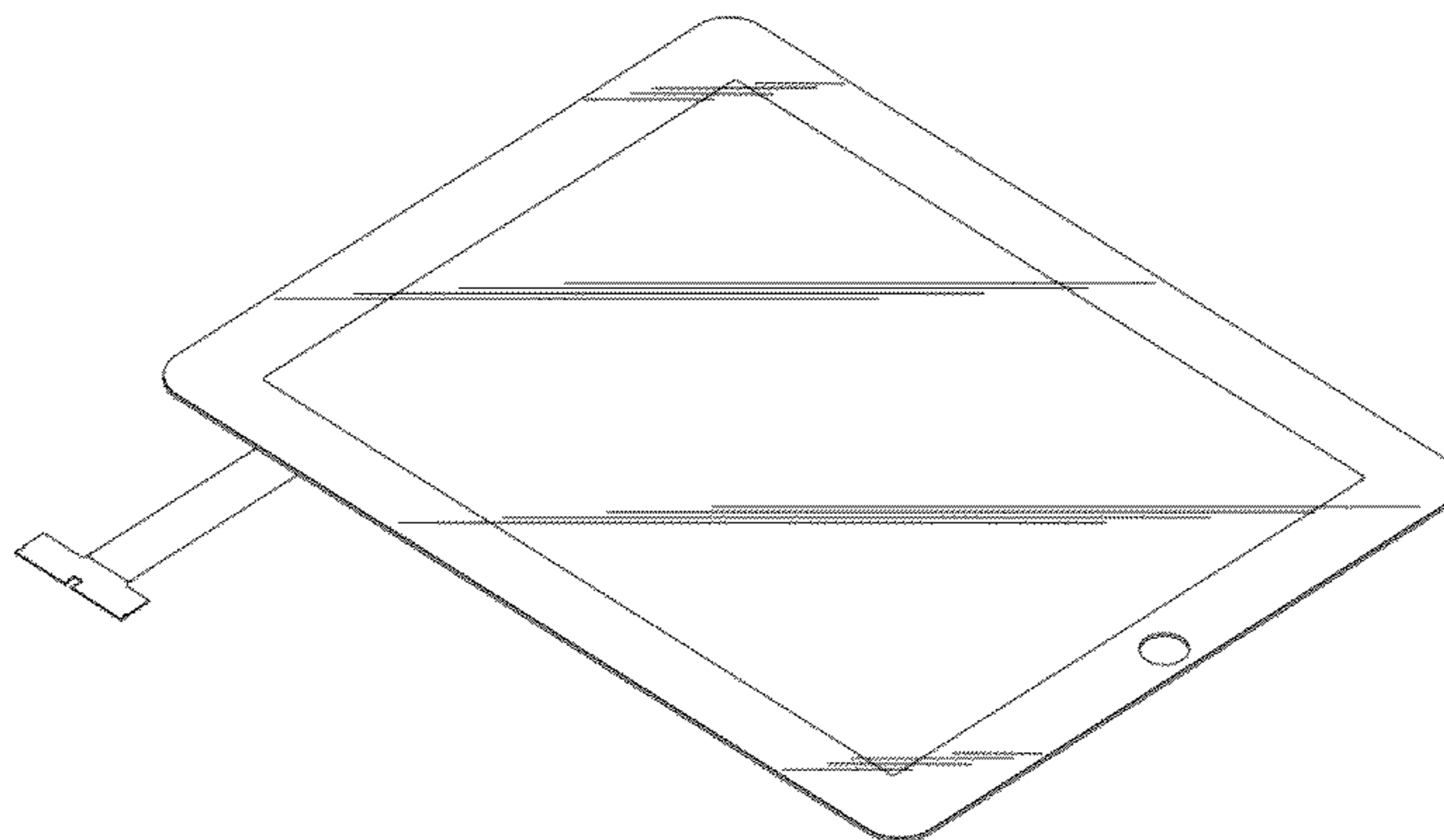
(57) **CLAIM**

The ornamental design for a display module for an electronic device, as shown and described.

DESCRIPTION

FIG. 1 is a front perspective view of a display module for an electronic device showing our new design; FIG. 2 is a front view thereof; FIG. 3 is a rear view thereof; FIG. 4 is a left side view thereof; FIG. 5 is a right side view thereof; FIG. 6 is a top view thereof; and, FIG. 7 is a bottom view thereof. The shade lines in the Figures show transparency.

1 Claim, 5 Drawing Sheets



US D661,707 S

Page 2

U.S. PATENT DOCUMENTS

7,055,271 B2 * 6/2006 Lutz et al. 40/605
D528,542 S 9/2006 Luminosu et al.
D534,143 S 12/2006 Lheem
D558,726 S 1/2008 Wang et al.
D558,758 S 1/2008 Andre et al.
D560,683 S 1/2008 Lee
D561,782 S 2/2008 Kim
D563,432 S 3/2008 Kim
D567,819 S 4/2008 Devericks et al.
7,409,059 B2 8/2008 Fujisawa
D580,387 S 11/2008 Andre et al.
D581,385 S 11/2008 Park et al.
D581,922 S 12/2008 Andre et al.
D583,346 S 12/2008 Jung et al.
D593,087 S 5/2009 Andre et al.
D599,342 S 9/2009 Andre et al.
D600,241 S 9/2009 Andre et al.
D602,014 S 10/2009 Andre et al.
D602,015 S 10/2009 Andre et al.
D602,016 S 10/2009 Andre et al.
D602,017 S 10/2009 Andre et al.
D602,486 S 10/2009 Andre et al.
D602,488 S 10/2009 Jiang et al.
D604,297 S 11/2009 Andre et al.
7,660,560 B2 2/2010 Zuo et al.
D613,735 S 4/2010 Andre et al.
D613,736 S 4/2010 Andre et al.
D618,677 S 6/2010 Andre et al.
D618,678 S 6/2010 Andre et al.
D622,270 S 8/2010 Andre et al.
D622,720 S 8/2010 Andre et al.
D627,777 S 11/2010 Akana et al.
D627,778 S 11/2010 Akana et al.
D629,799 S 12/2010 Andre et al.
D630,630 S 1/2011 Andre et al.
7,876,274 B2 1/2011 Hobson et al.
D633,090 S 2/2011 Andre et al.
D633,091 S 2/2011 Andre et al.

D633,493 S 3/2011 Akana et al.
D633,908 S 3/2011 Akana et al.
D634,319 S 3/2011 Andre et al.
D634,742 S 3/2011 Andre et al.
D636,390 S 4/2011 Andre et al.
D647,108 S * 10/2011 Lee D14/496
D651,617 S * 1/2012 Walter D14/496
2004/0223004 A1 11/2004 Lincke et al.
2009/0067141 A1 3/2009 Dabov et al.
2009/0245565 A1 10/2009 Mittleman et al.
2009/0247244 A1 10/2009 Mittleman et al.

OTHER PUBLICATIONS

U.S. Appl. No. 29/354,599, Akana et al., "Portable Display Device", filed Jan. 26, 2010.
U.S. Appl. No. 29/363,167, Akana et al., "Electronic Device", filed Jun. 5, 2010.
U.S. Appl. No. 29/368,831, Akana et al., "Display Module for an electronic device", filed Aug. 30, 2010.
U.S. Appl. No. 29/379,707, Akana et al., "Electronic Device", filed Nov. 23, 2010.
U.S. Appl. No. 29/379,722, Akana et al., "Portable Display Device", filed Nov. 23, 2010.
U.S. Appl. No. 29/381,617, Andre et al., "Electronic Device", filed Dec. 21, 2010.
U.S. Appl. No. 29/384,757, Andre et al., "Electronic Device", filed Feb. 3, 2011.
U.S. Appl. No. 29/384,861, Andre et al., "Electronic Device", filed Feb. 4, 2011.
U.S. Appl. No. 29/385,079, Andre et al., "Electronic Device", filed Feb. 8, 2011.
HP Compaq Tablet PC TC1000, <http://www.hardwarezone.com.au/reviews/view.php?cid=45&id=533&pg=2>. Downloaded Apr. 20, 2010, 1 page. (Updated URL: http://2009.hardwarezone.com/img/data/articles/2002/533/Evo_JamesHand01.jpg).

* cited by examiner

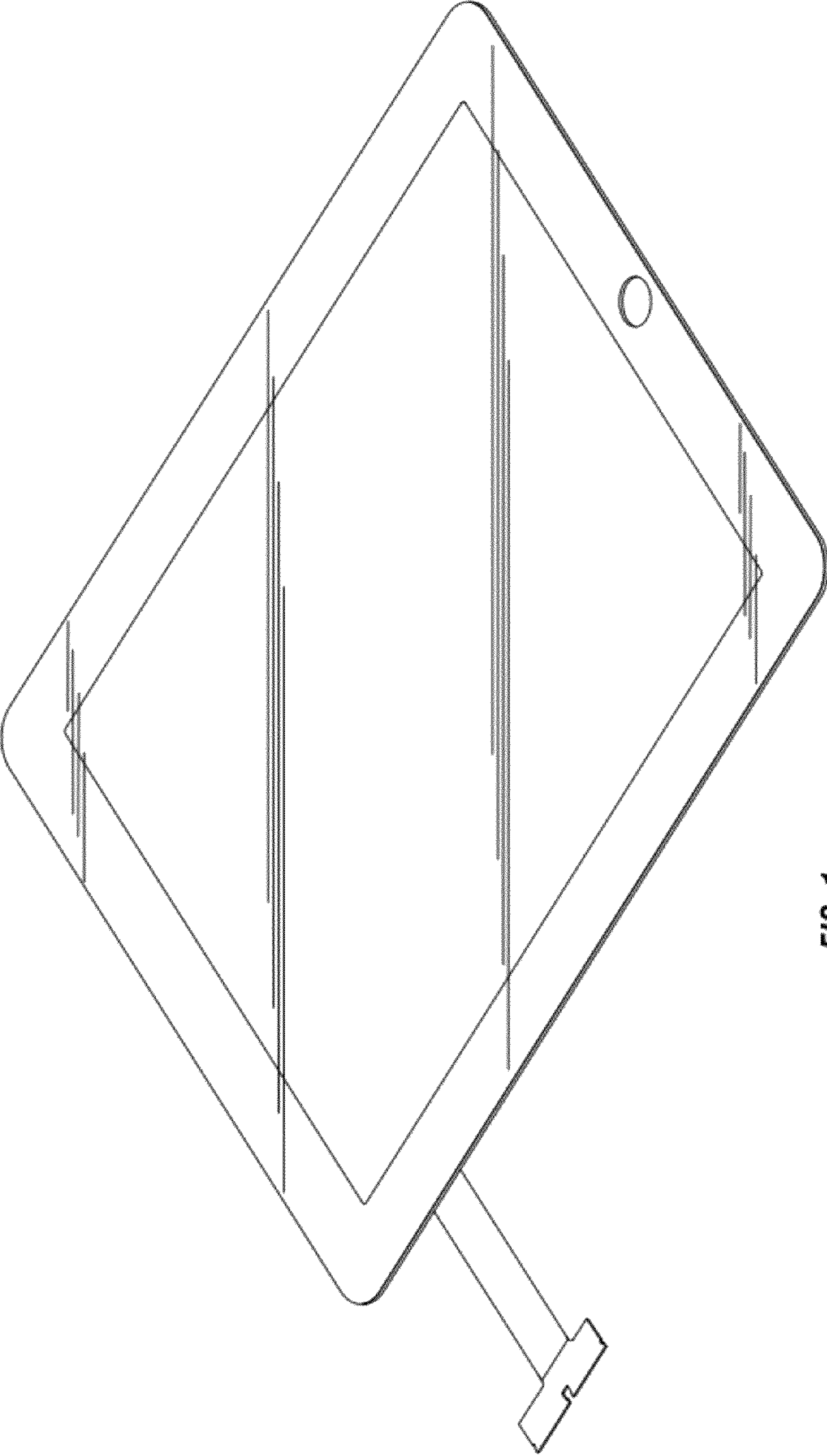


FIG. 1

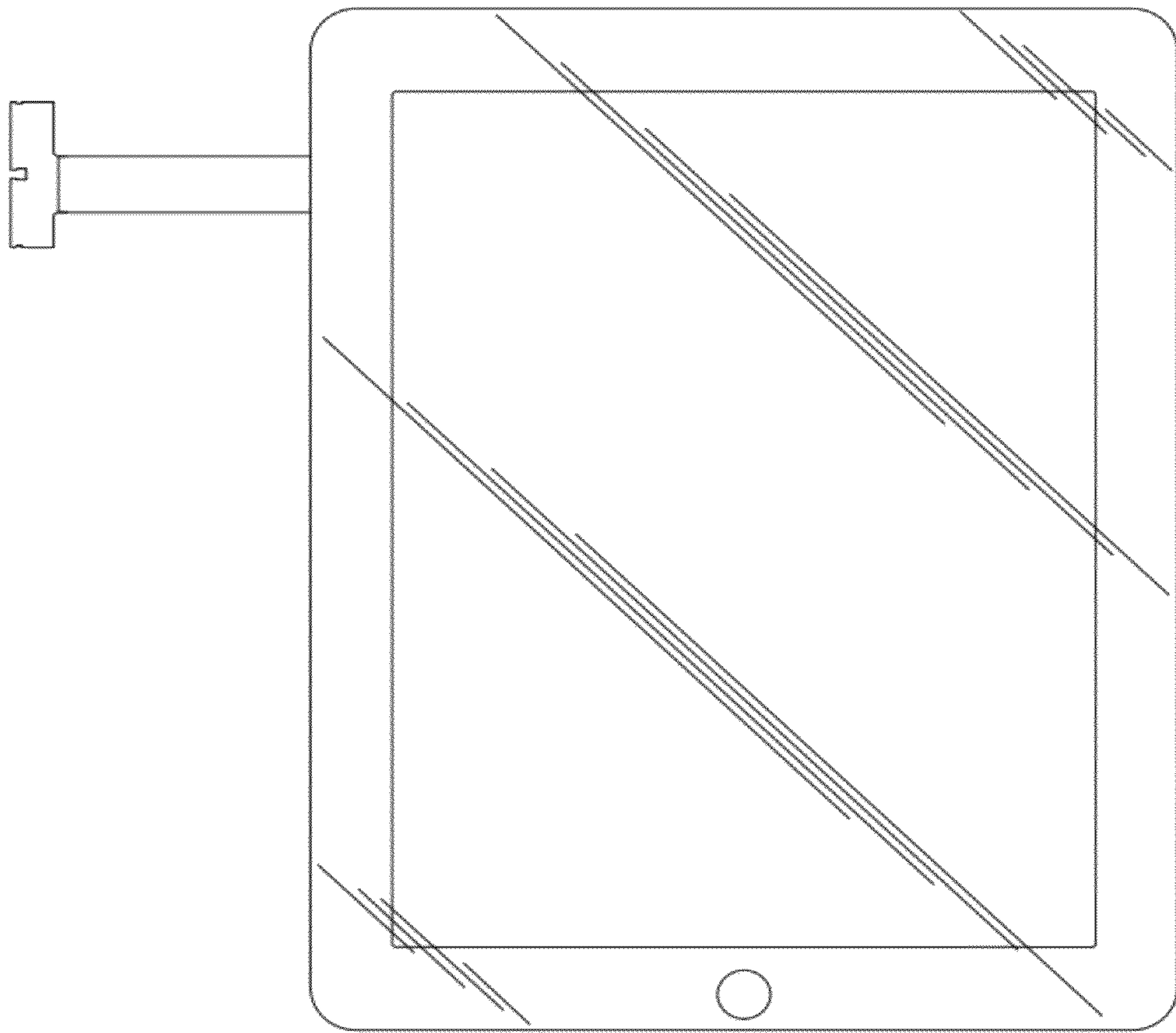


FIG. 2

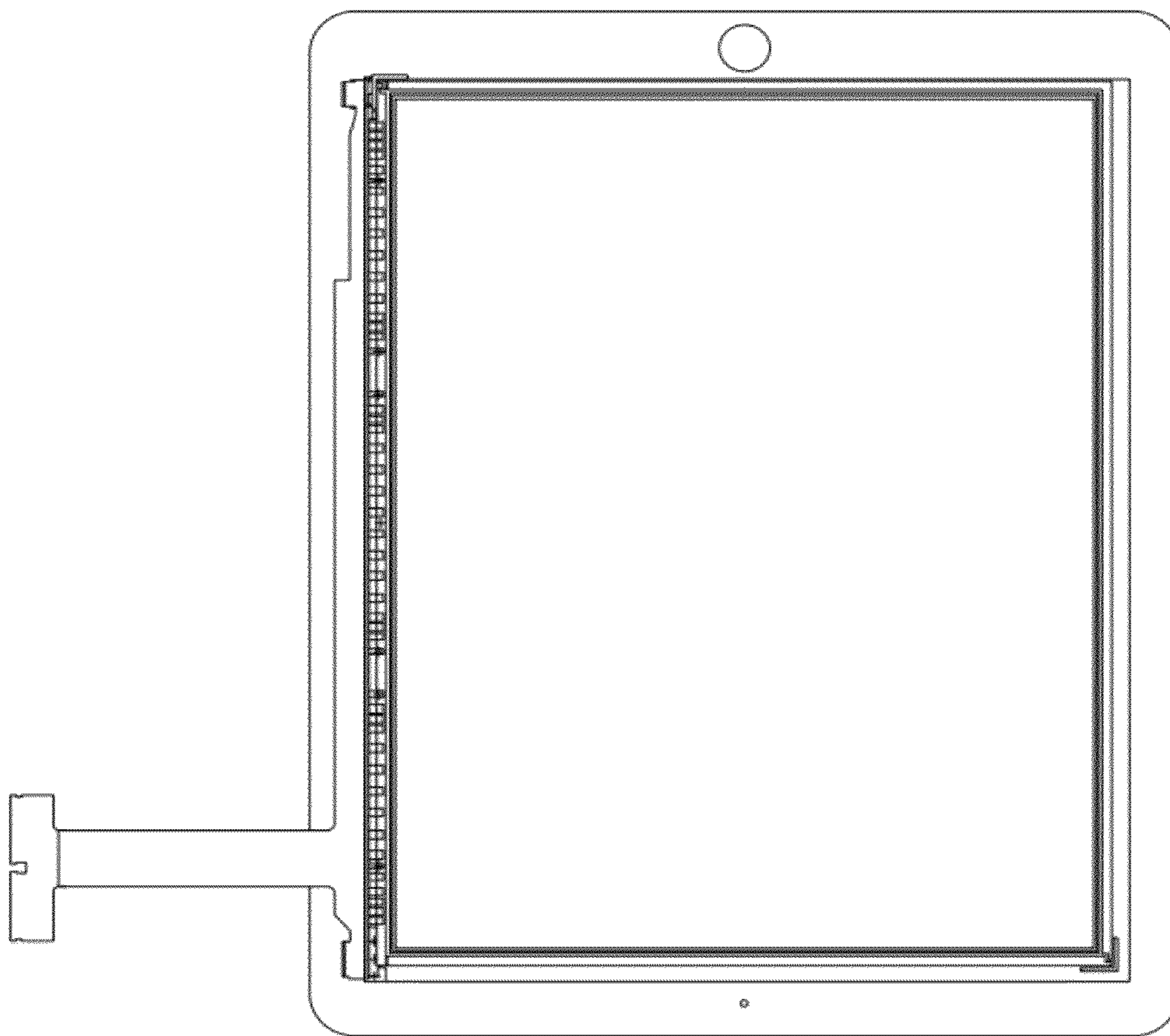


FIG. 3



FIG. 4



FIG. 5



FIG. 6



FIG. 7