

US00D661702S

(12) **United States Design Patent**  
**Asai et al.**

(10) **Patent No.:** **US D661,702 S**  
(45) **Date of Patent:** **\*\* Jun. 12, 2012**

(54) **DISPLAY PANEL OR SCREEN WITH AN ANIMATED GRAPHICAL USER INTERFACE**

(75) Inventors: **Satoshi Asai**, Tokyo (JP); **Nobuki Furue**, Tokyo (JP); **Ayaka Tamura**, Tokyo (JP)

(73) Assignee: **Sony Corporation**, Tokyo (JP)

(\*\*) Term: **14 Years**

(21) Appl. No.: **29/347,986**

(22) Filed: **Aug. 31, 2010**

(51) **LOC (9) Cl.** ..... **32-00**

(52) **U.S. Cl.** ..... **D14/488**

(58) **Field of Classification Search** ..... D14/485-495;  
D18/26, 31-33; D20/11, 12, 23-25, 29-32,  
D20/36-38; 715/700-867, 973-977  
See application file for complete search history.

(56) **References Cited**

**U.S. PATENT DOCUMENTS**

5,270,688	A *	12/1993	Dawson et al.	345/639
6,028,600	A *	2/2000	Rosin et al.	715/718
6,031,536	A *	2/2000	Kamiwada et al.	715/729
D424,041	S	5/2000	Tambata	

(Continued)

**FOREIGN PATENT DOCUMENTS**

JP D1231354 2/2005

(Continued)

**OTHER PUBLICATIONS**

Iconkits.com | Profile Base Kit, p. 3 [online], [retrieved on Apr. 4, 2007]. Retrieved from the Internet <URL: [http://iconkits.com/products/profile\\_base\\_kit/](http://iconkits.com/products/profile_base_kit/)>.\*

(Continued)

*Primary Examiner* — Karen E Kearney

(74) *Attorney, Agent, or Firm* — Rader, Fishman & Grauer PLLC

(57) **CLAIM**

The ornamental design for an display panel or screen with an animated graphical user interface, as shown and described.

**DESCRIPTION**

FIG. 1 is a front elevational view of a first image of an display panel or screen with an animated graphical user interface showing our new design;

FIG. 2 is a front elevational view of a second image thereof;

FIG. 3 is a front elevational view of a third image thereof;

FIG. 4 is a front elevational view of a fourth image thereof; and

FIG. 5 is a front elevational view of a fifth image thereof.

FIG. 6 is a front elevational view of a first image of a second embodiment of an display panel or screen with an animated graphical user interface showing our new design;

FIG. 7 is a front elevational view of a second image thereof;

FIG. 8 is a front elevational view of a third image thereof;

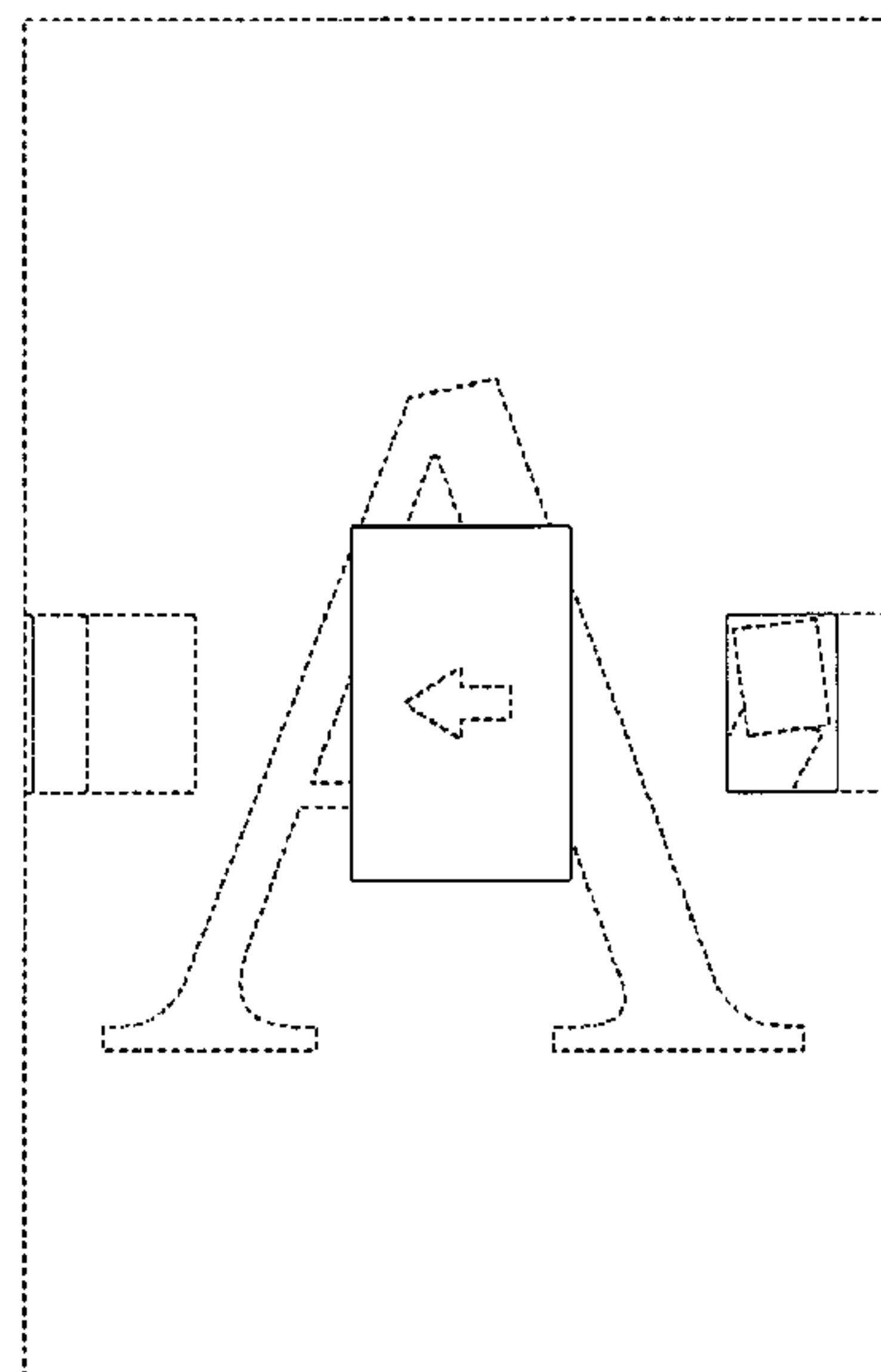
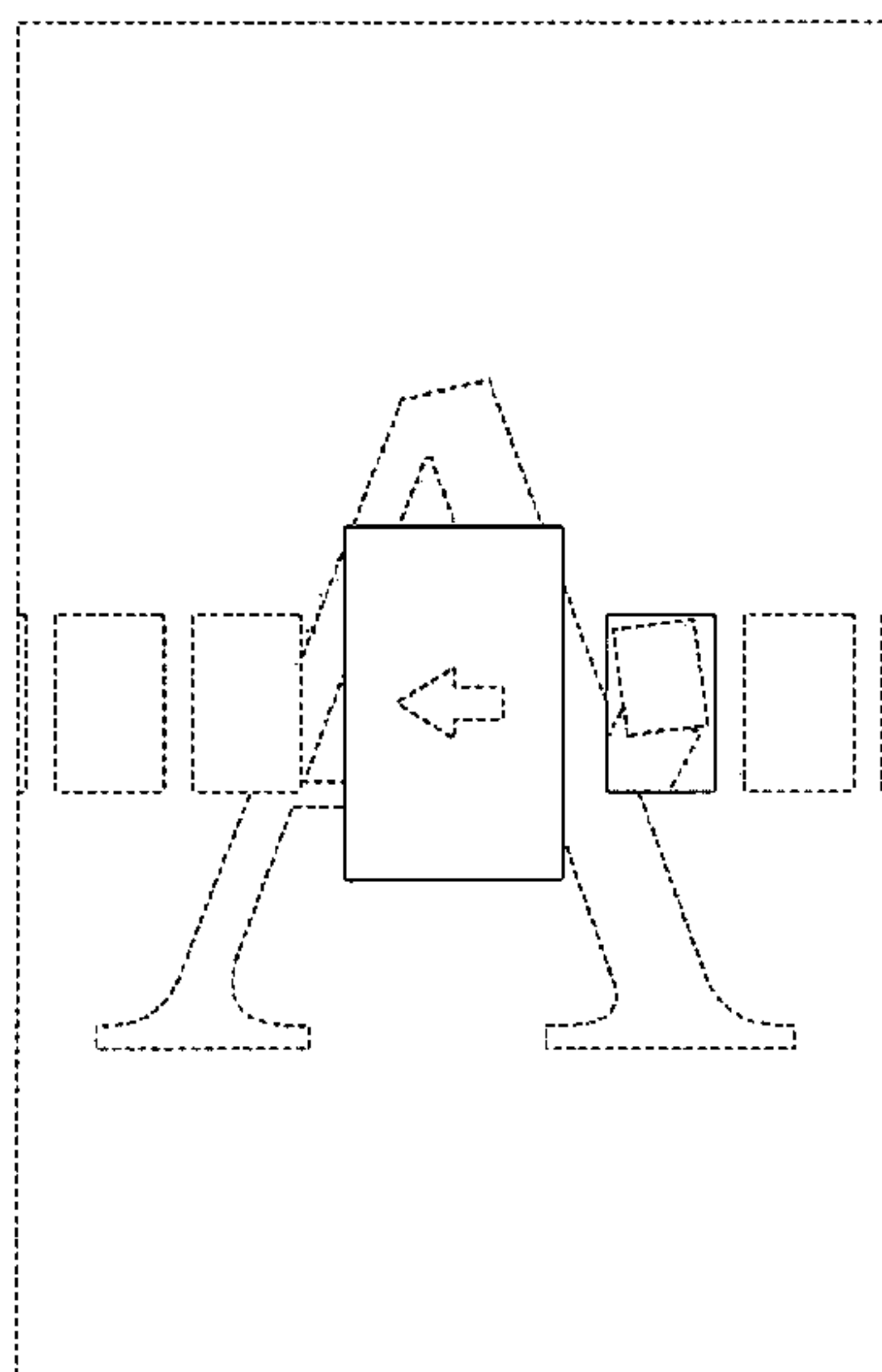
FIG. 9 is a front elevational view of a fourth image thereof; and,

FIG. 10 is a front elevational view of a fifth image thereof.

The appearance of the image transitions sequentially between the images shown in FIGS. 1-5 and FIGS. 6-10. The process or period in which an image transitions to another forms no part of the claimed design.

The broken line showing of a display panel or screen, letter, text and other elements form no part of the claimed design.

**1 Claim, 10 Drawing Sheets**



# US D661,702 S

Page 2

## U.S. PATENT DOCUMENTS

6,070,176 A \* 5/2000 Downs et al. .... 715/234  
D444,794 S \* 7/2001 Nashida et al.  
6,342,902 B1 \* 1/2002 Harradine et al. .... 715/716  
D472,902 S \* 4/2003 Nashida et al.  
D475,064 S \* 5/2003 Nashida et al.  
D478,090 S \* 8/2003 Nguyen et al. .... D14/486  
6,734,859 B2 \* 5/2004 Hayashi et al. .... 345/475  
D535,657 S \* 1/2007 Ording ..... D14/487  
D555,664 S \* 11/2007 Nagata et al. .... D14/488  
D558,211 S \* 12/2007 Dongen ..... D14/485  
D559,855 S \* 1/2008 Sato et al. .... D14/486  
D559,857 S \* 1/2008 Van Dongen ..... D14/488  
D564,539 S \* 3/2008 Van Dongen ..... D14/487  
D571,819 S \* 6/2008 Scott et al. .... D14/487  
D575,793 S \* 8/2008 Ording ..... D14/486  
D580,942 S \* 11/2008 Oshiro et al. .... D14/485  
D581,940 S \* 12/2008 Van Dongen ..... D14/486  
D588,605 S \* 3/2009 Okada ..... D14/488  
D593,116 S \* 5/2009 Garcia et al. .... D14/487  
D593,578 S \* 6/2009 Ball et al. .... D14/488  
D595,309 S \* 6/2009 Sasaki et al.  
D599,364 S \* 9/2009 Mays ..... D14/485  
D599,366 S \* 9/2009 Brown et al. .... D14/485  
D599,367 S \* 9/2009 Mays et al. .... D14/485  
D599,368 S \* 9/2009 Kanga et al. .... D14/485  
D599,371 S \* 9/2009 Brown et al. .... D14/485  
D599,806 S \* 9/2009 Brown et al. .... D14/485  
D603,415 S \* 11/2009 Lin et al. .... D14/485  
7,614,012 B1 \* 11/2009 Dulaney ..... 715/838

D611,053 S \* 3/2010 Kanga et al. .... D14/485  
D611,484 S \* 3/2010 Mays et al. .... D14/485  
D611,485 S \* 3/2010 Marashi ..... D14/485  
D614,640 S \* 4/2010 Vieggers et al. .... D14/486  
D614,641 S \* 4/2010 Vieggers et al. .... D14/486  
D614,643 S \* 4/2010 Vieggers et al. .... D14/486  
D625,323 S \* 10/2010 Matsushima et al. .... D14/487  
D627,365 S \* 11/2010 Brinda ..... D14/488  
D631,886 S \* 2/2011 Vance et al. .... D14/486  
D631,887 S \* 2/2011 Vance et al. .... D14/486  
D633,918 S \* 3/2011 Vance et al. .... D14/486  
D633,920 S \* 3/2011 Luke et al. .... D14/488  
D634,750 S \* 3/2011 Loretan et al. .... D14/486  
D634,753 S \* 3/2011 Loretan et al. .... D14/488  
D636,785 S \* 4/2011 Brinda ..... D14/488  
D637,606 S \* 5/2011 Luke et al. .... D14/488  
D638,432 S \* 5/2011 Flik et al. .... D14/486  
D643,043 S \* 8/2011 Loken et al. .... D14/486  
D646,292 S \* 10/2011 Thai et al. .... D14/486

## FOREIGN PATENT DOCUMENTS

JP D1370871 10/2009

## OTHER PUBLICATIONS

Office Action in Japanese Design Patent Application No. 2010-021116, dated Feb. 4, 2011.

Office Action in Japanese Design Patent Application No. 2010-021117, dated Feb. 18, 2011.

\* cited by examiner

FIG. 1

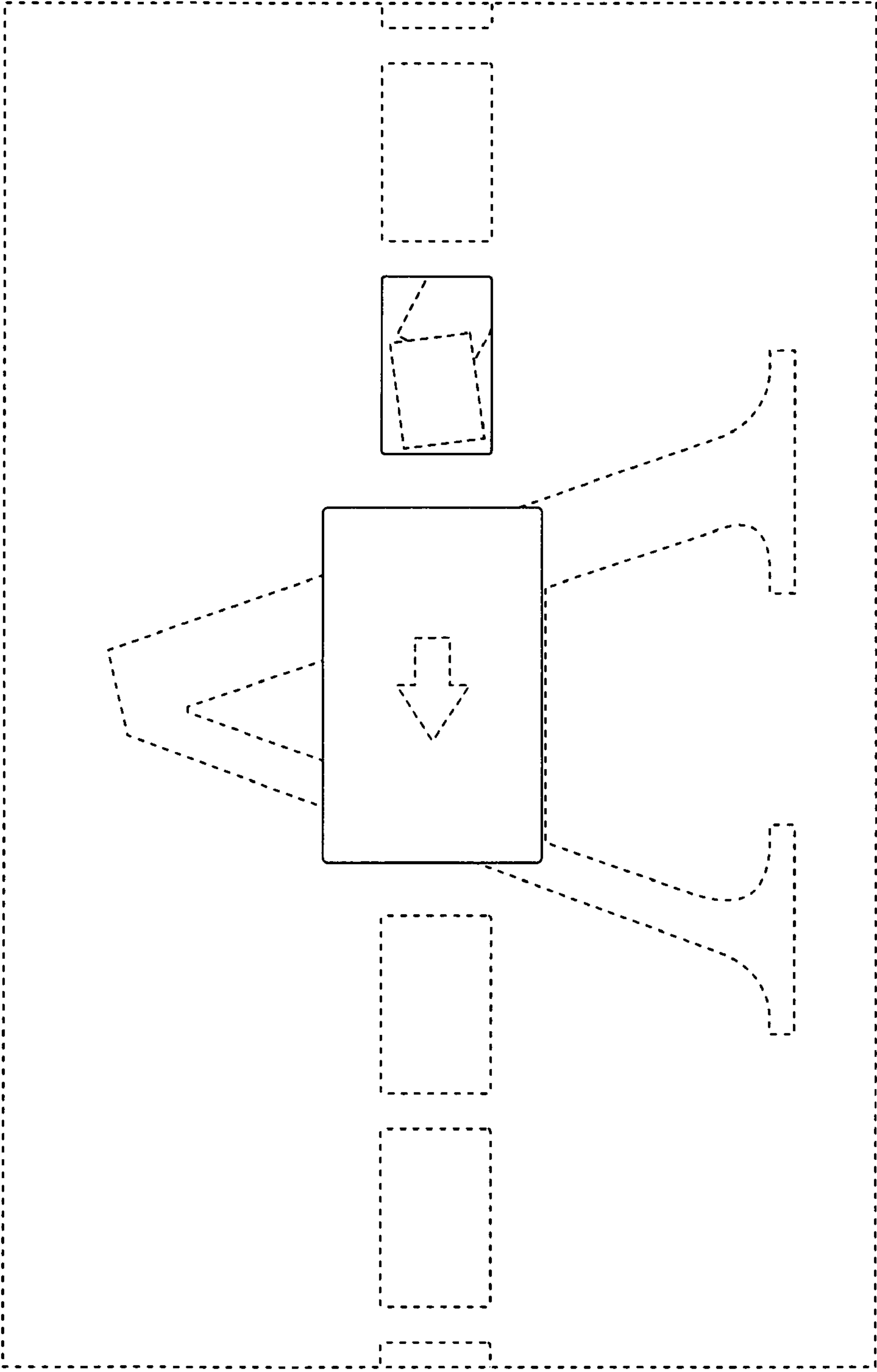


FIG. 2

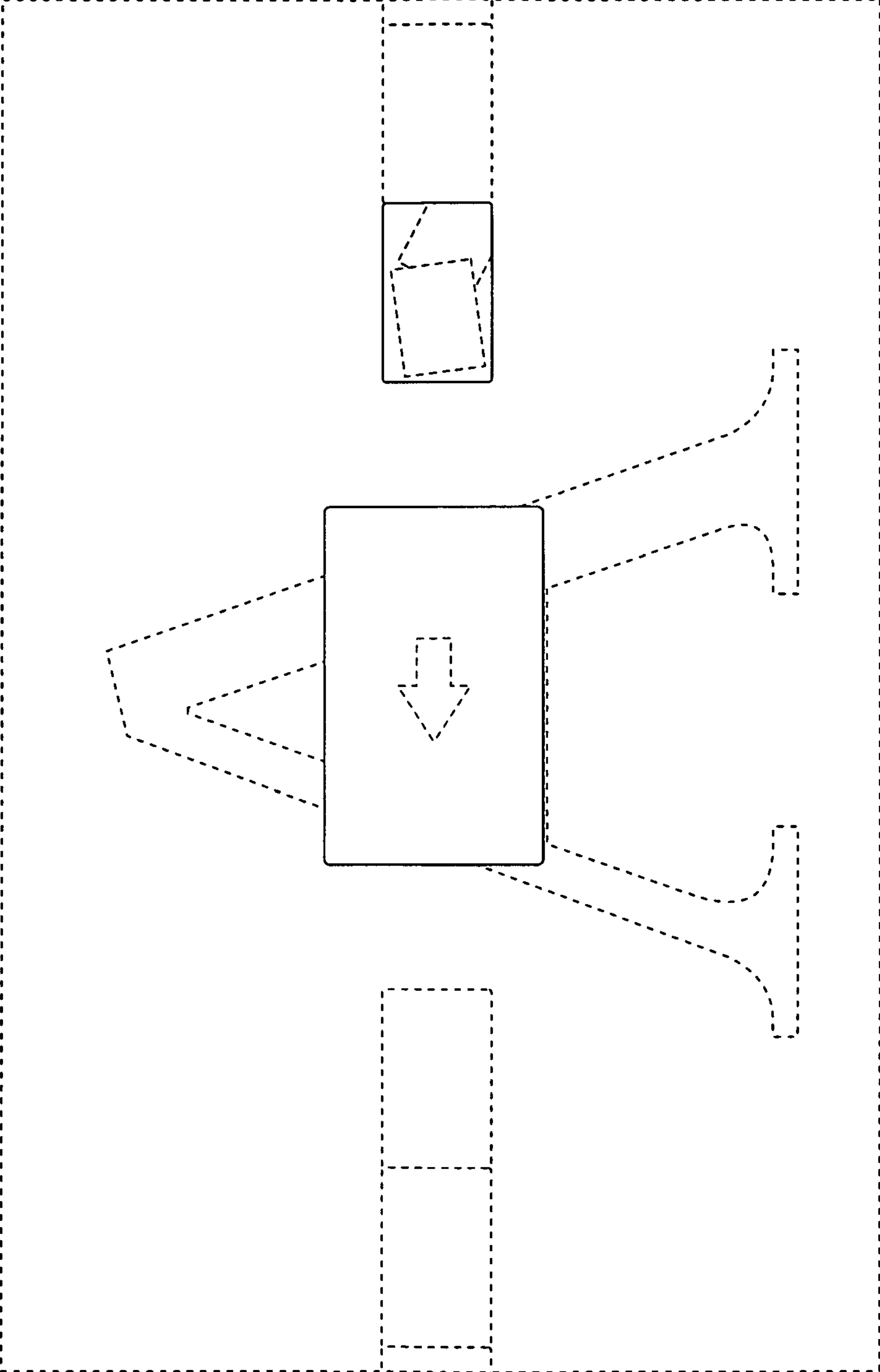


FIG. 3

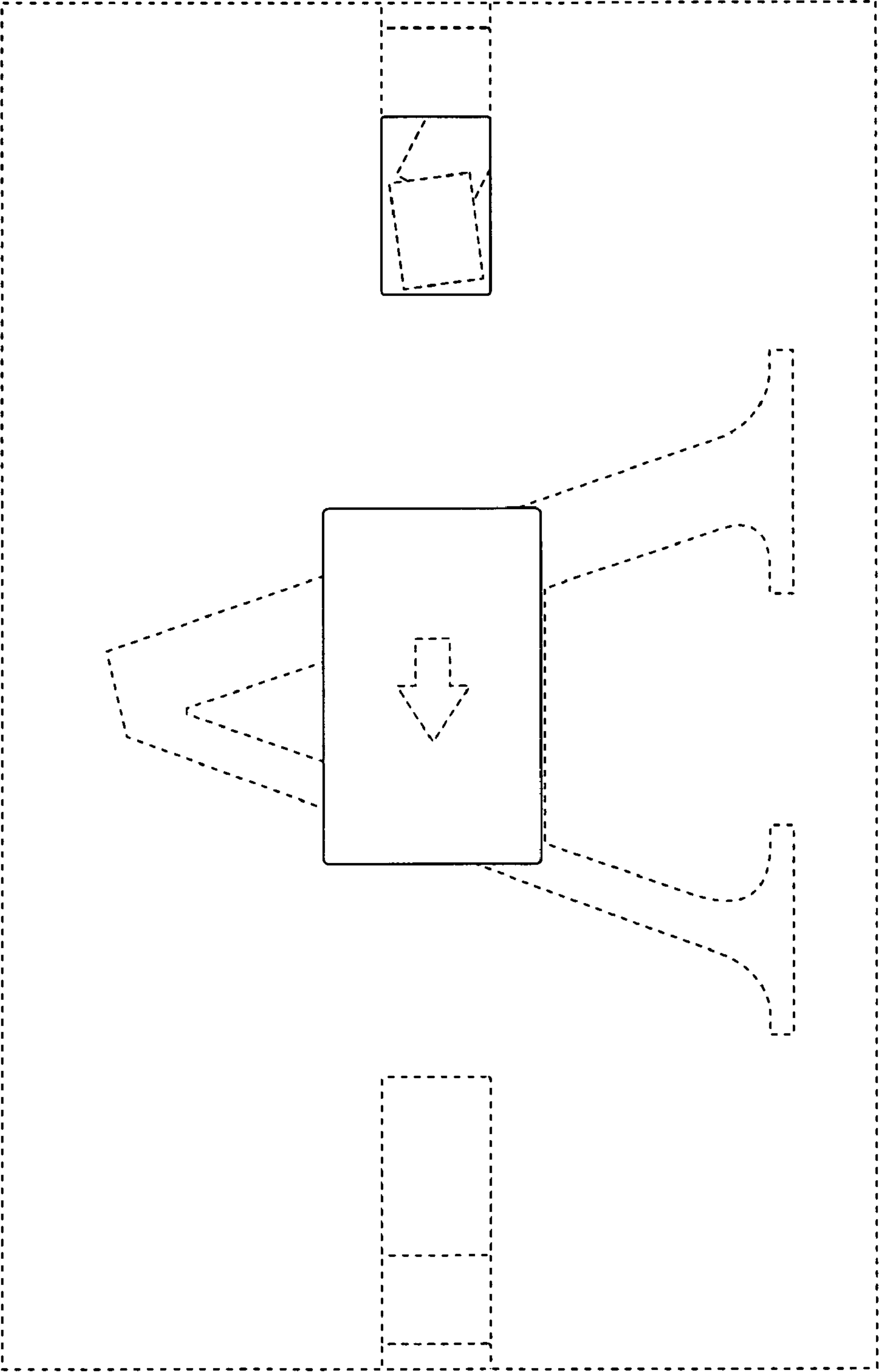


FIG. 4

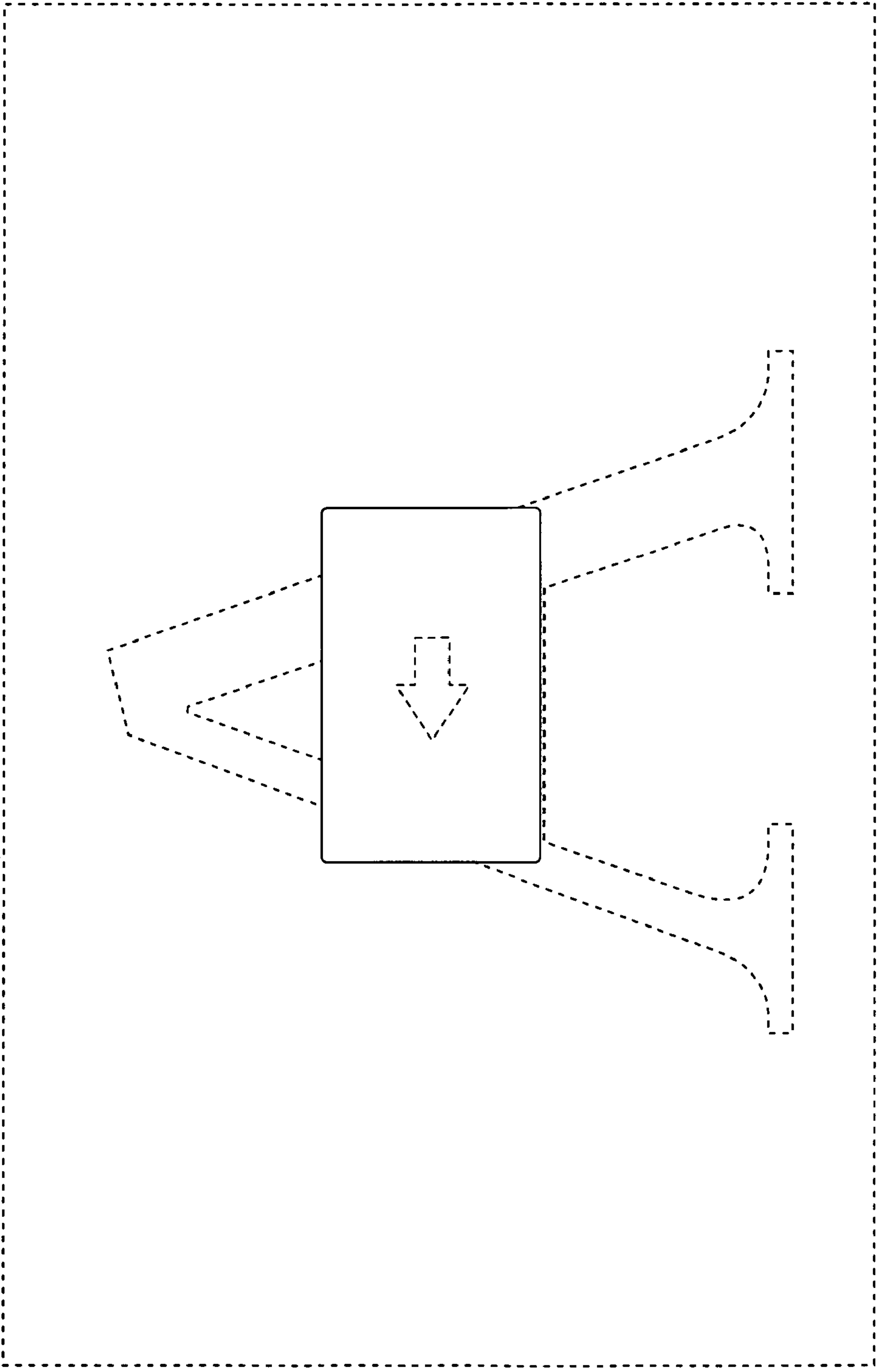


FIG. 5

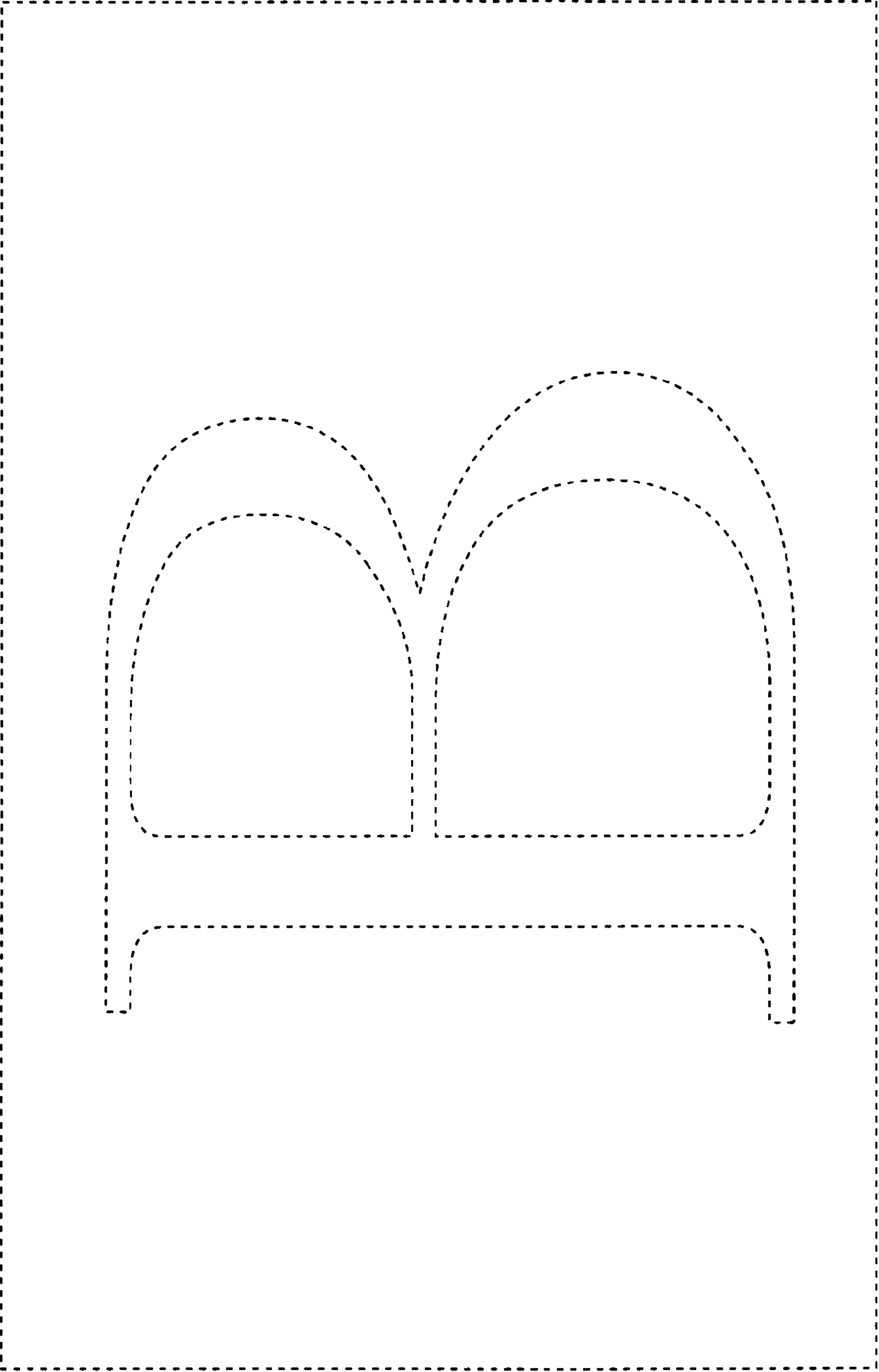




FIG. 6

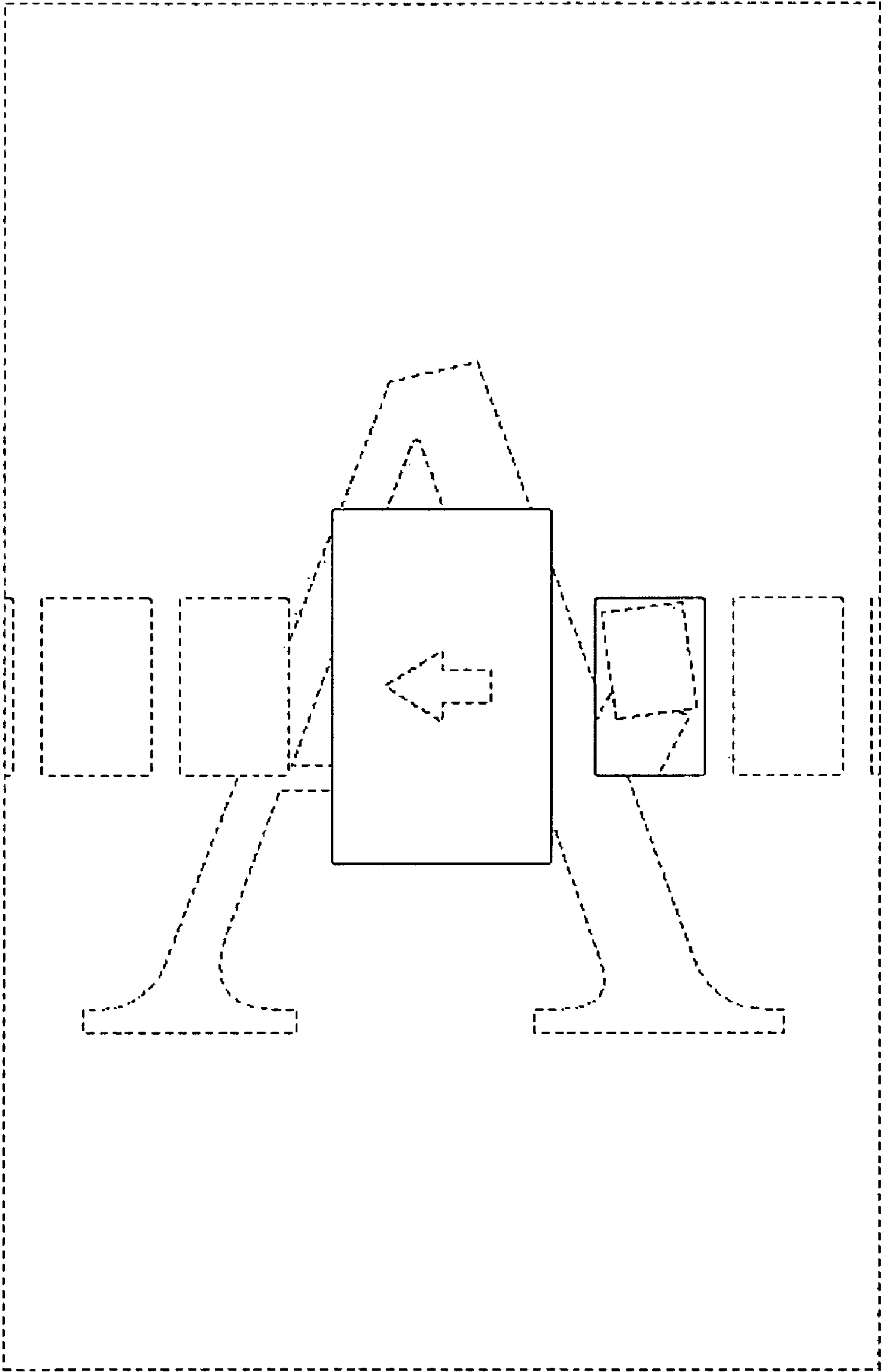




FIG. 7

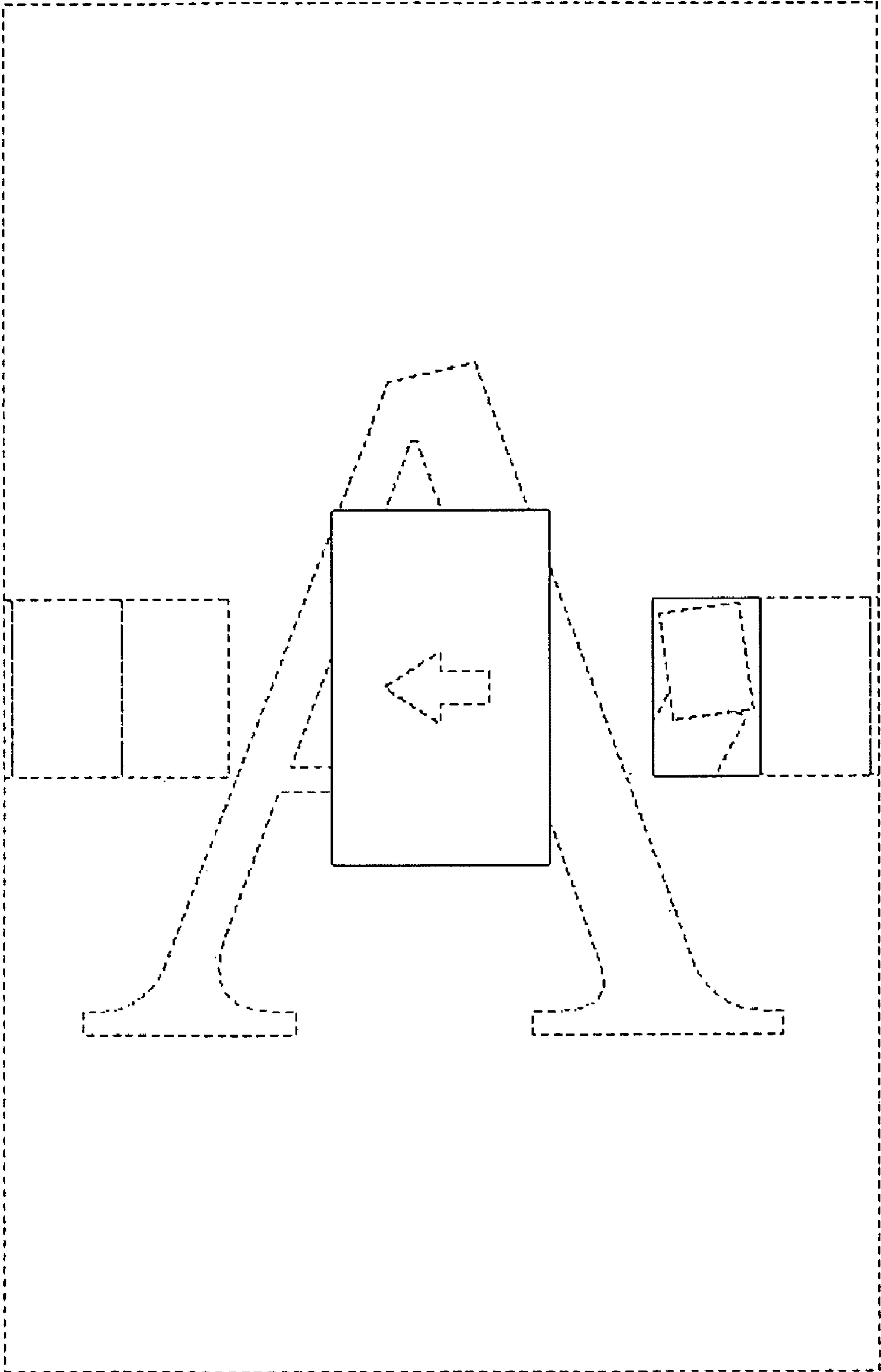


FIG. 8

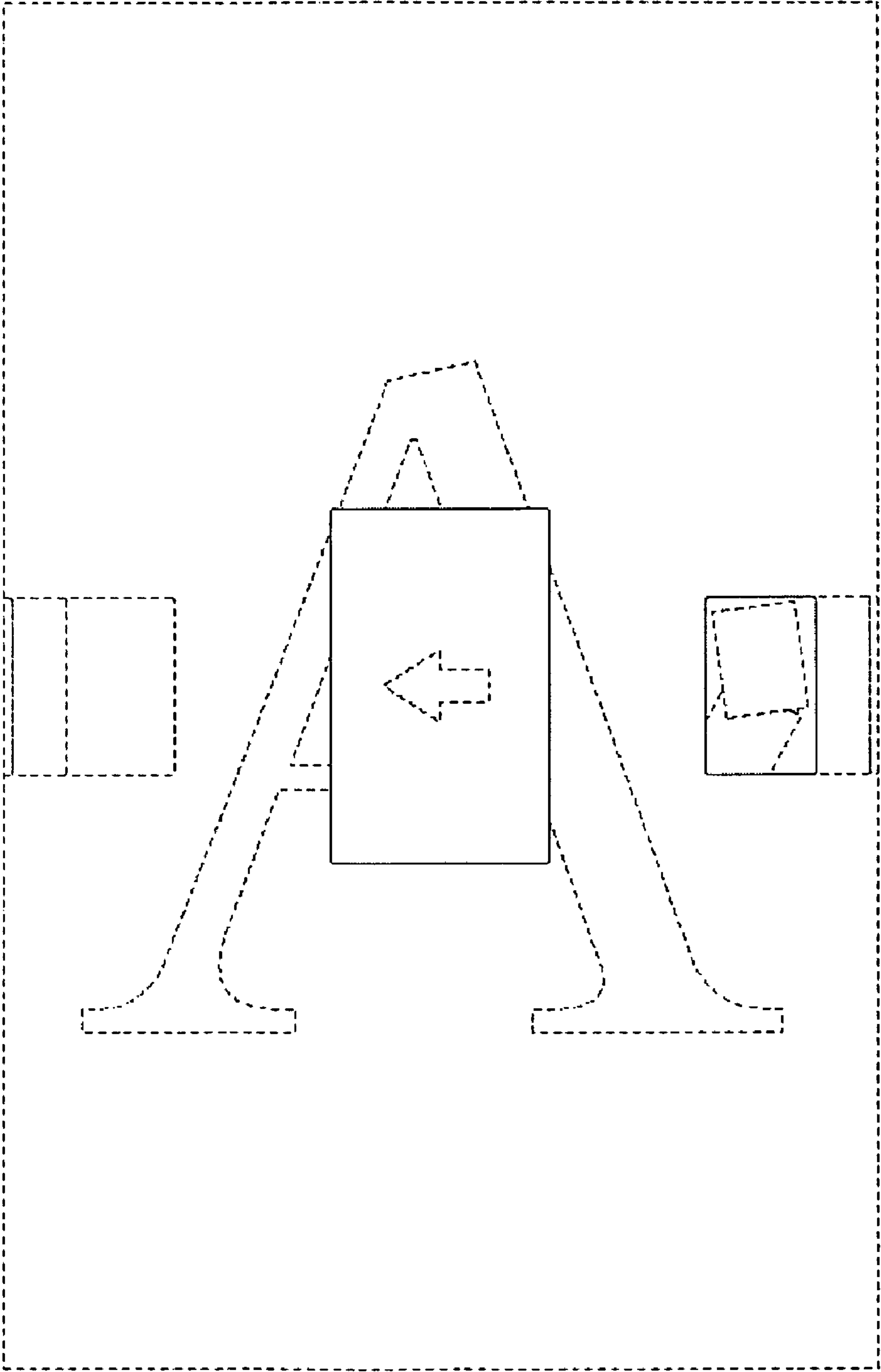


FIG. 9

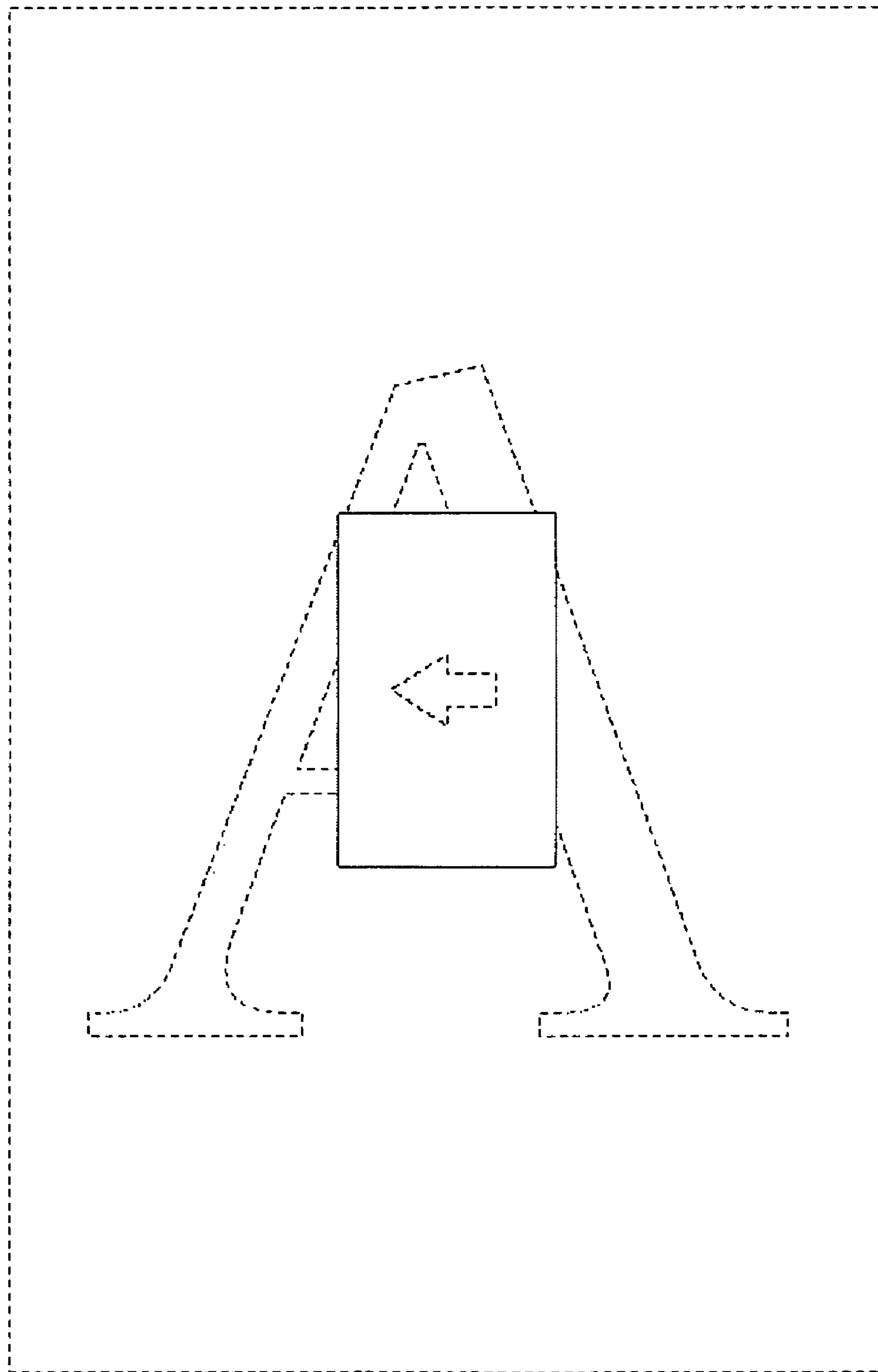


FIG. 10

