



US00D661699S

(12) **United States Design Patent**
Chiu

(10) **Patent No.:** **US D661,699 S**
(45) **Date of Patent:** **** Jun. 12, 2012**

(54) **DISPLAY**

(75) Inventor: **Yi-Chung Chiu**, Taoyuan County (TW)

(73) Assignee: **Hannspree, Inc.**, New Taipei (TW)

(**) Term: **14 Years**

(21) Appl. No.: **29/396,424**

(22) Filed: **Jun. 29, 2011**

(51) **LOC (9) Cl.** **14-02**

(52) **U.S. Cl.** **D14/371**

(58) **Field of Classification Search** D14/371-376,
D14/125-129, 336, 337, 306; D6/308, 311;
345/104, 156, 173, 174, 901-905; 348/180,
348/184, 325, 739; 361/679.08, 679.23;
349/1, 2, 11, 58; 248/917-924, 371; 341/12
See application file for complete search history.

(56) **References Cited**

U.S. PATENT DOCUMENTS

D412,891 S * 8/1999 Sumii D14/374
D439,900 S * 4/2001 Baek D14/374
D504,688 S * 5/2005 Lin et al. D14/375
D527,355 S * 8/2006 Voege D14/126

D578,973 S * 10/2008 Chiu D14/126
D620,461 S * 7/2010 Han et al. D14/126
D634,722 S * 3/2011 Kim et al. D14/126

* cited by examiner

Primary Examiner — Freda S Nunn

(74) *Attorney, Agent, or Firm* — Muncy, Geissler, Olds & Lowe, PLLC

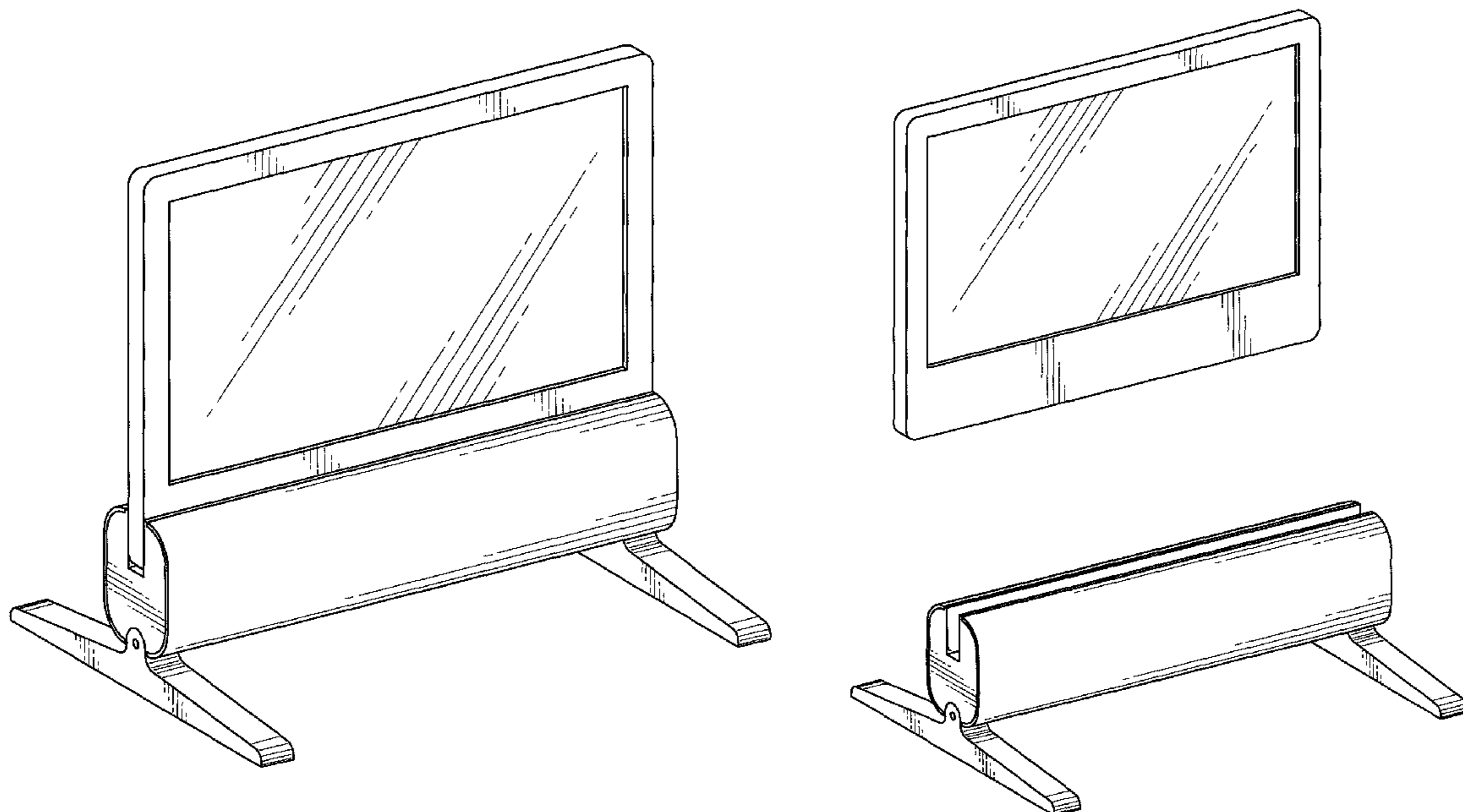
(57) **CLAIM**

The ornamental design for a display, as shown and described.

DESCRIPTION

FIG. 1 is a front perspective view of a display showing the design;
FIG. 2 is a front view thereof;
FIG. 3 is a rear view thereof;
FIG. 4 is a left side view thereof;
FIG. 5 is a right side view thereof;
FIG. 6 is a top view thereof;
FIG. 7 is a bottom view thereof; and,
FIG. 8 is an exploded perspective view thereof.
The bottom edge and top edge of the detachable display are substantially flat and unornamented. The back, lower side of the detachable display which is covered by the speaker device in FIG. 3 is substantially flat and unornamented.

1 Claim, 8 Drawing Sheets



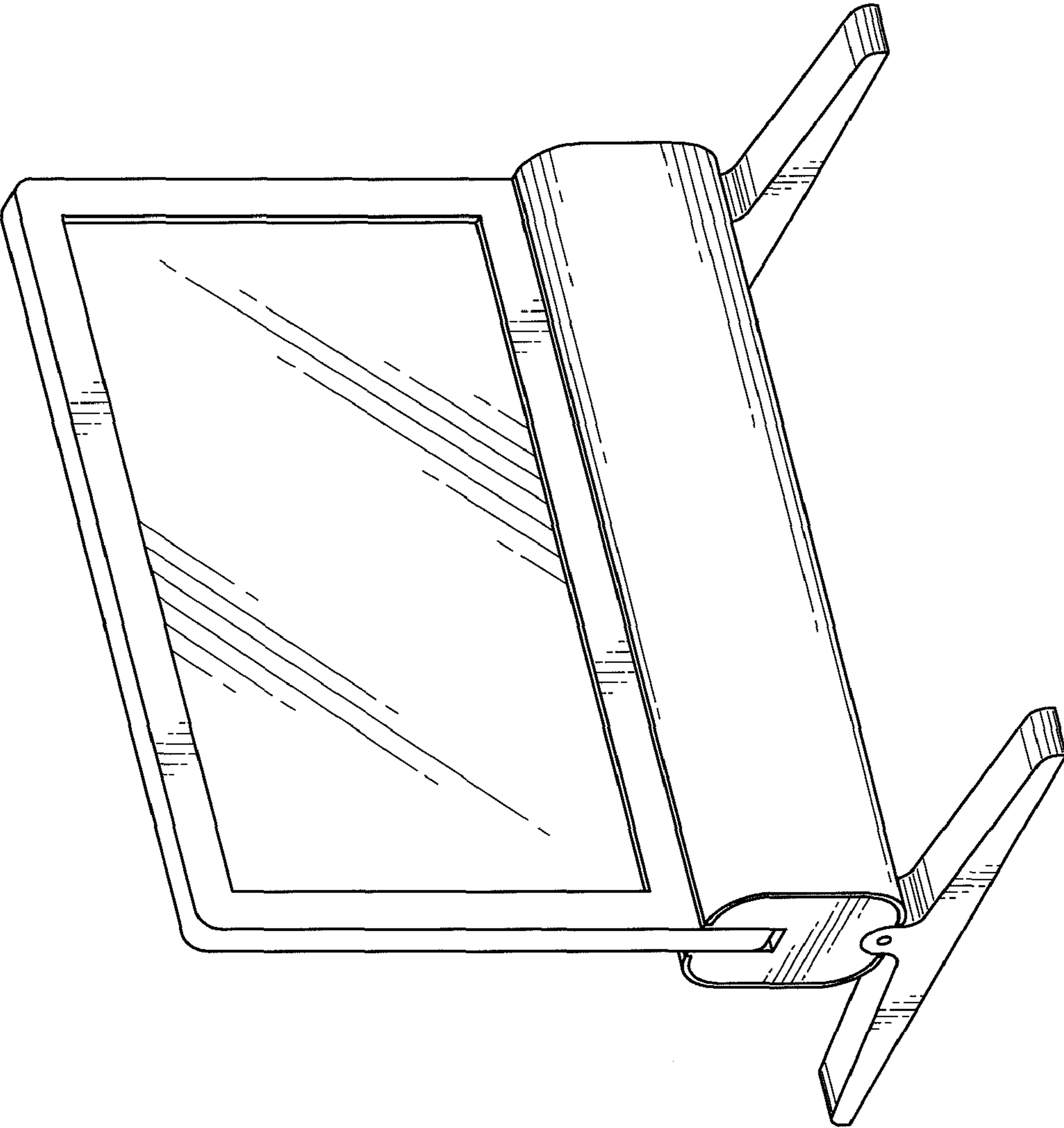


Fig. 1

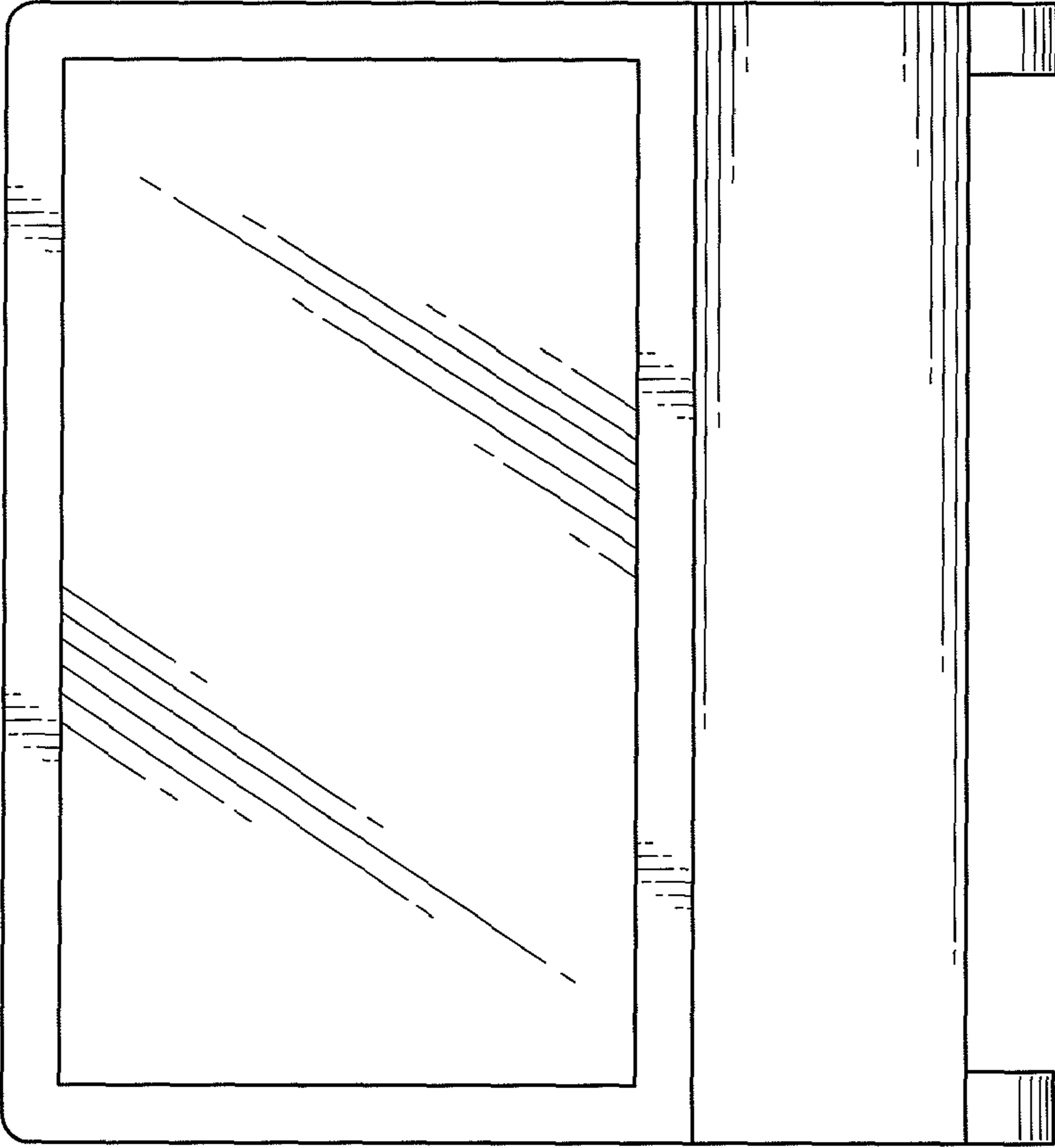


Fig. 2

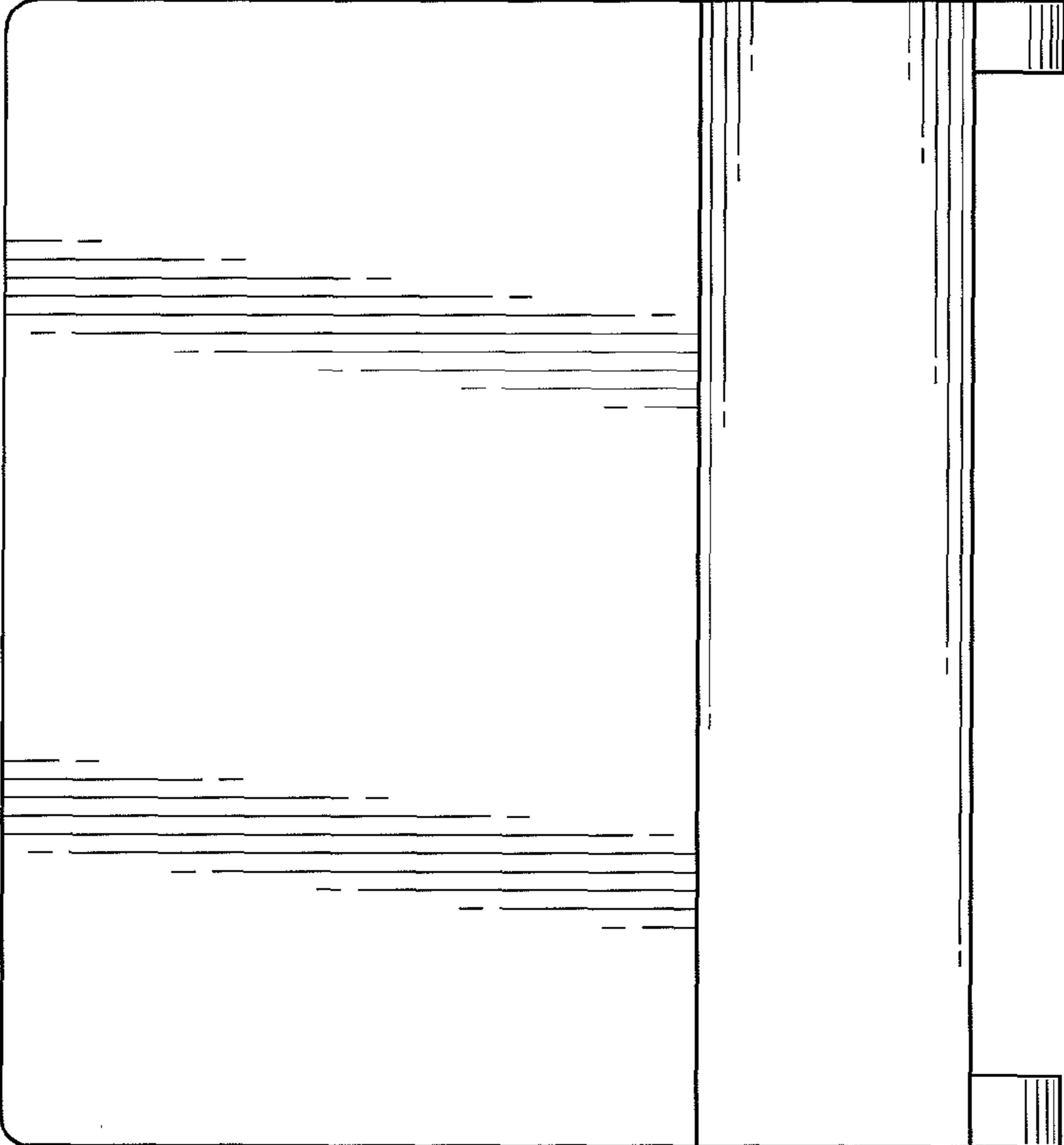


Fig. 3

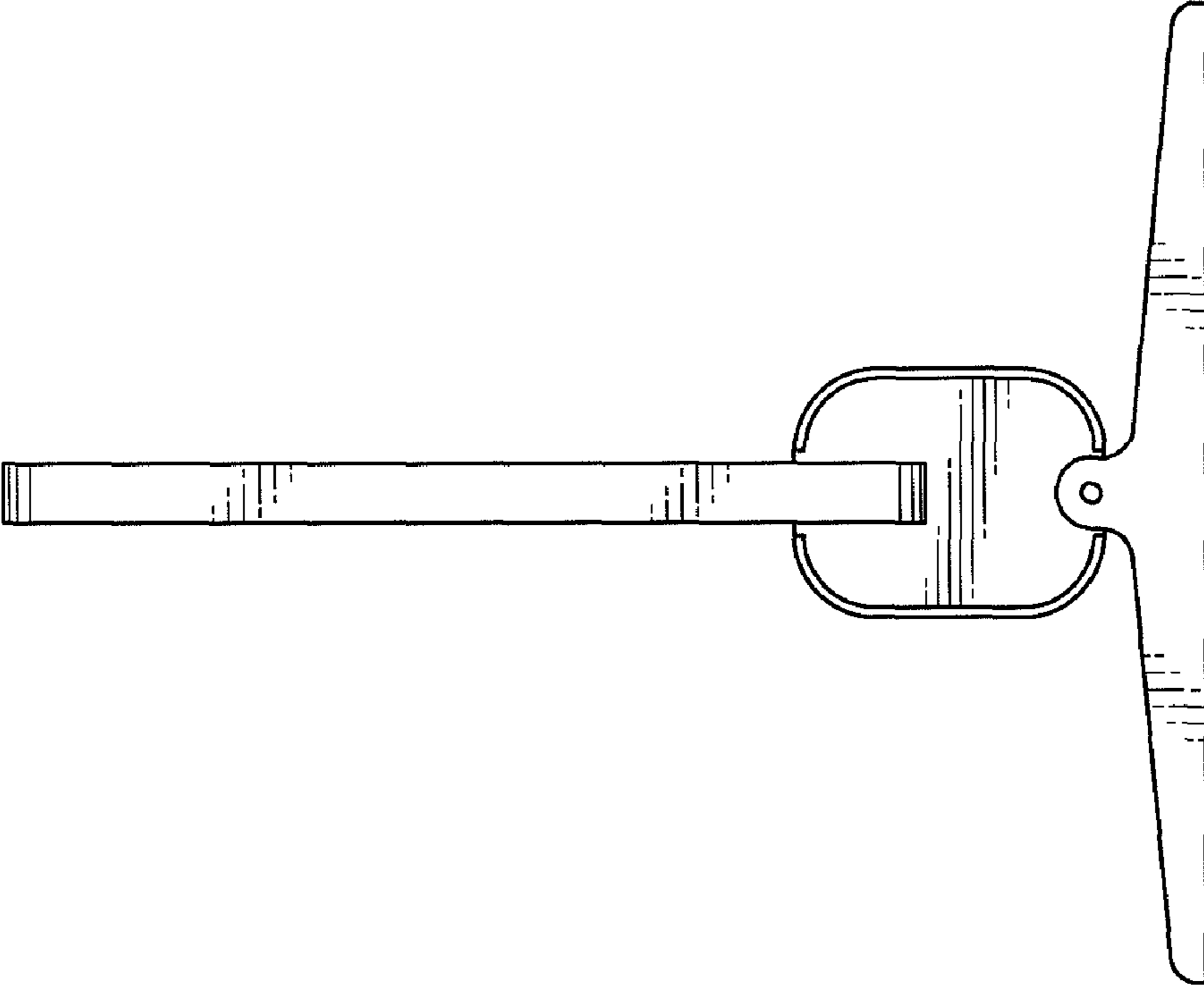


Fig. 4

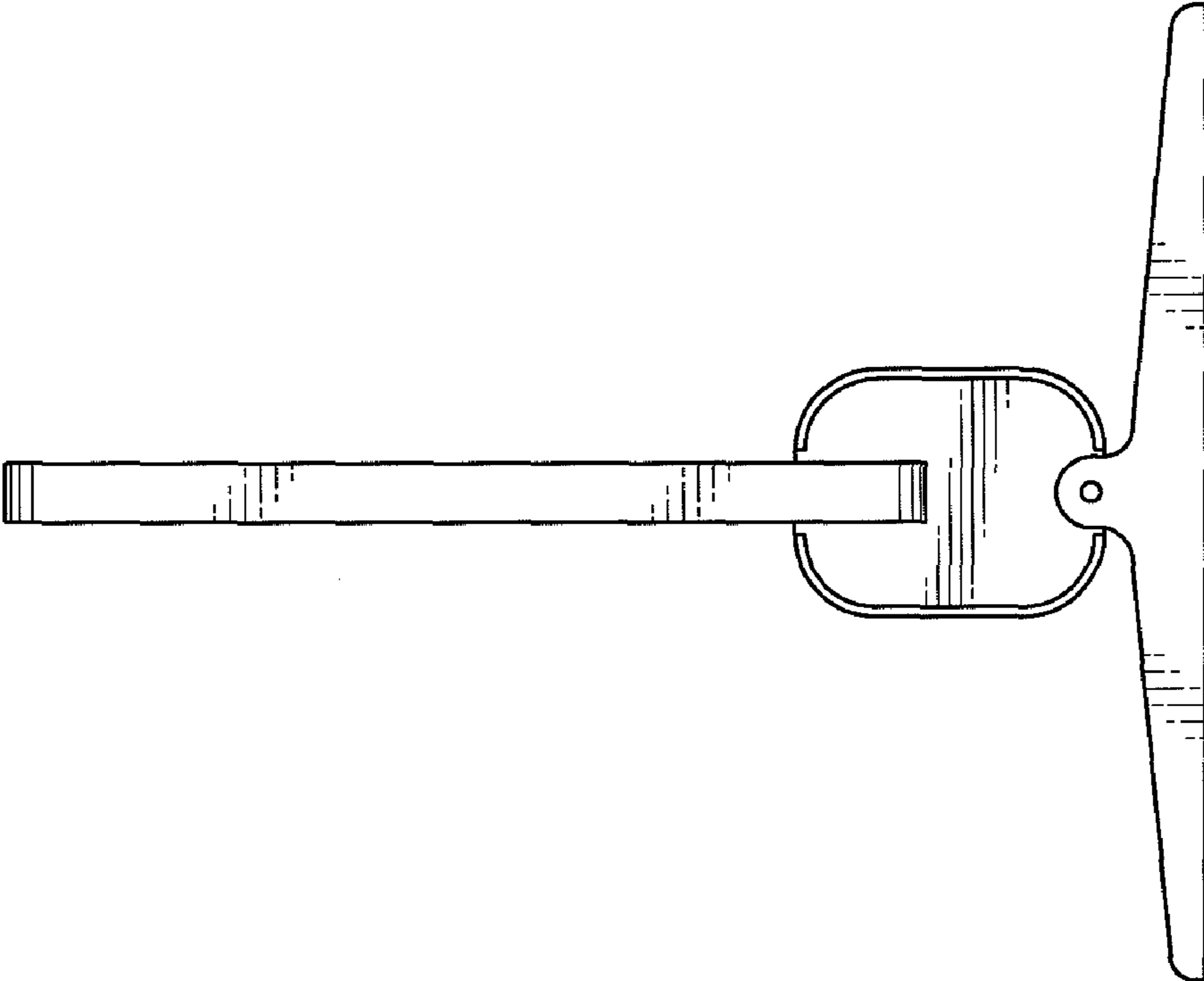


Fig. 5

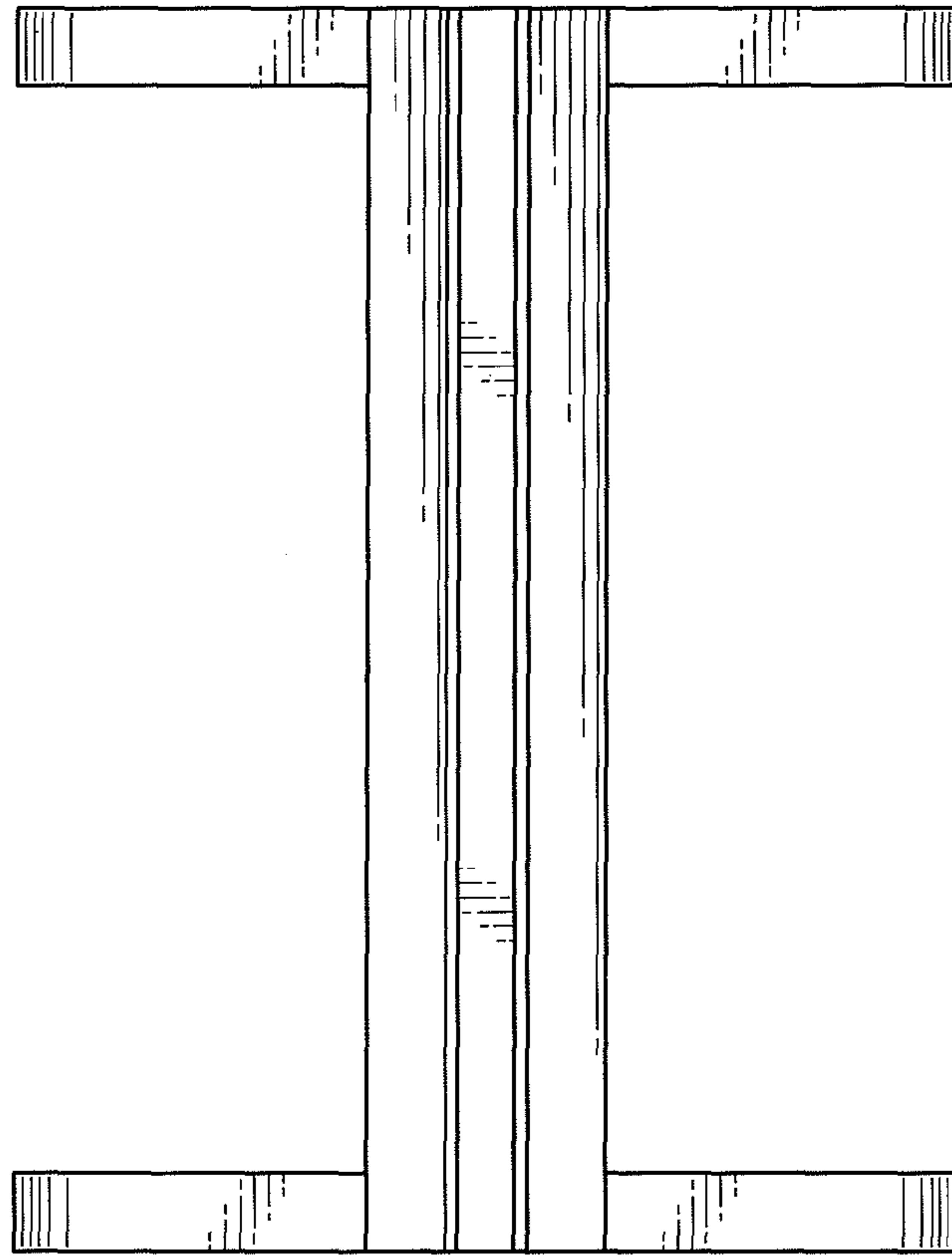


Fig. 6

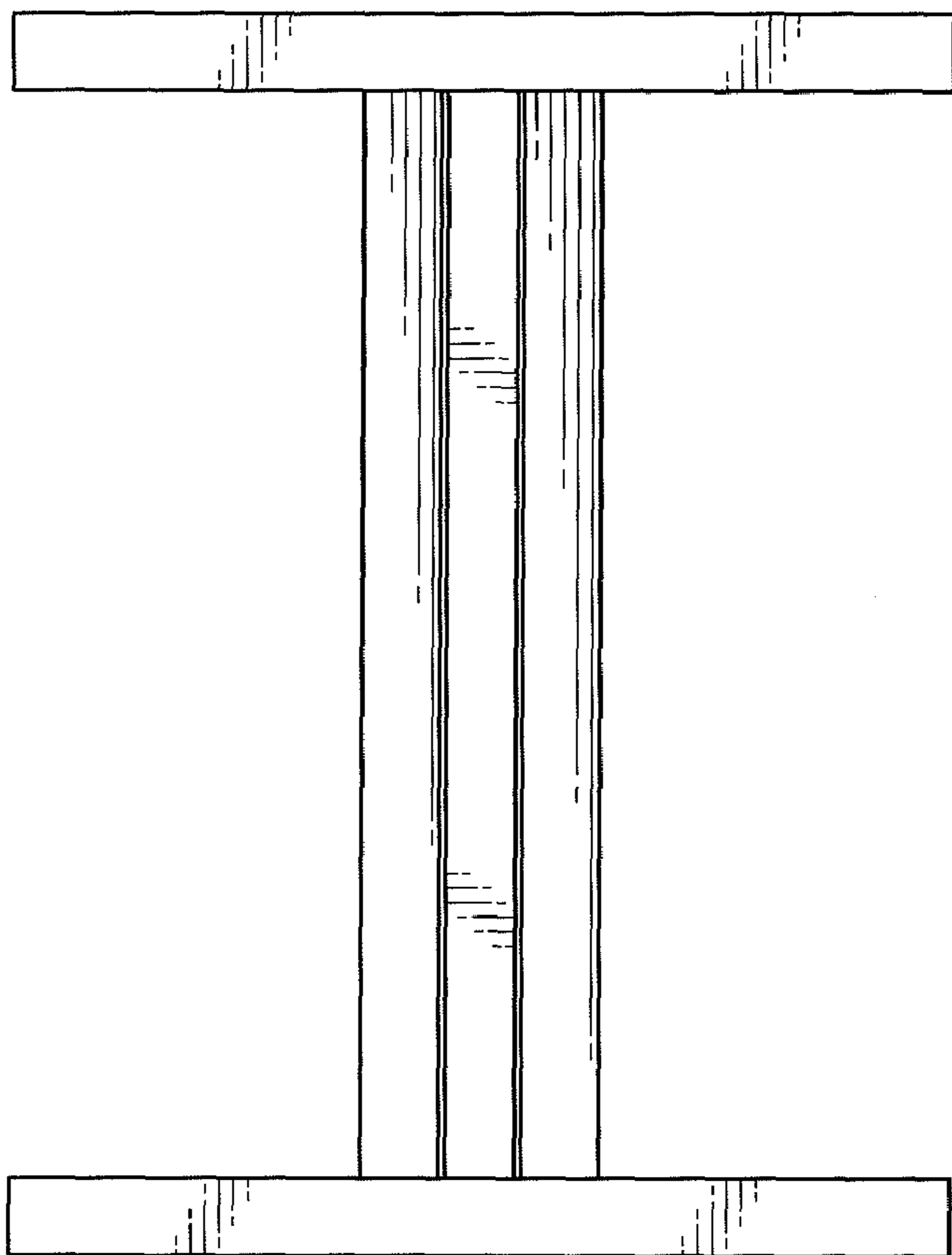


Fig. 7

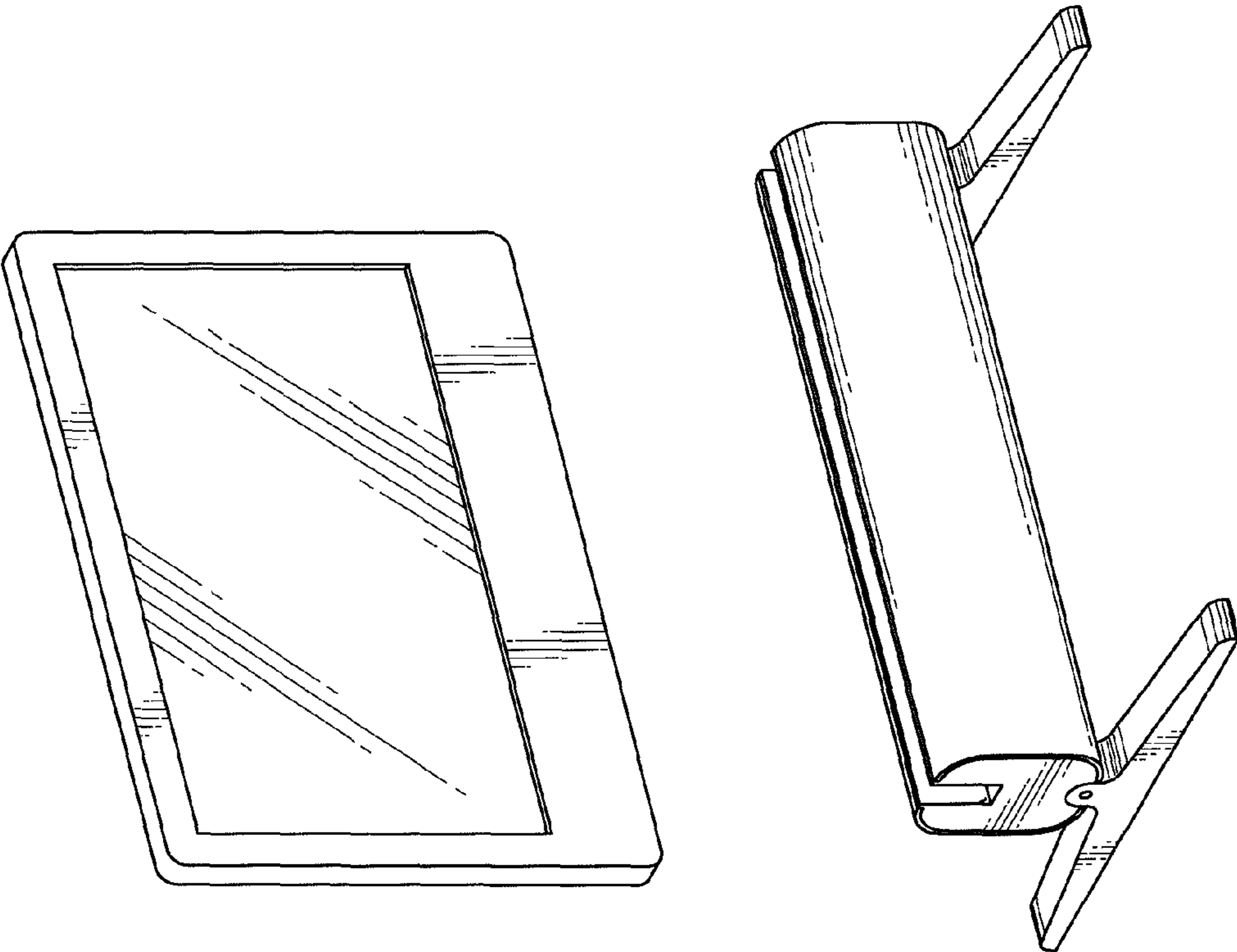


Fig. 8