

US00D661695S

(12) **United States Design Patent**
Kondo

(10) **Patent No.:** **US D661,695 S**
(45) **Date of Patent:** **** Jun. 12, 2012**

(54) **COMPUTER**

(75) Inventor: **Tetsuya Kondo**, Kahoku (JP)

(73) Assignee: **PFU Limited**, Ishikawa (JP)

(**) Term: **14 Years**

(21) Appl. No.: **29/361,428**

(22) Filed: **May 11, 2010**

(30) **Foreign Application Priority Data**

Nov. 13, 2009 (JP) 2009-026647

(51) **LOC (9) Cl.** **14-02**

(52) **U.S. Cl.** **D14/341; D14/346**

(58) **Field of Classification Search** D14/315-327,
D14/341-347, 384, 432, 439, 336, 340, 374,
D14/375; 341/22, 23; 345/168, 169, 173;
361/679.01, 679.02, 679.08, 679.09, 679.1,
361/679.18, 679.26, 679.3, 679.31, 679.4,
361/679.55, 679.56

See application file for complete search history.

(56) **References Cited**

U.S. PATENT DOCUMENTS

D356,072 S *	3/1995	Mundt	D14/320
D382,552 S *	8/1997	Tomlinson, Jr.	D14/384
D424,533 S *	5/2000	Kandalepas	D14/342
D448,765 S *	10/2001	Cohen et al.	D14/346
D453,149 S *	1/2002	Skoger et al.	D14/138 G
D453,757 S *	2/2002	Maio et al.	D14/340
D454,870 S *	3/2002	Lee et al.	D14/341
D458,910 S *	6/2002	Kita	D14/126
D533,552 S *	12/2006	Kuroiwa et al.	D14/346
D554,634 S *	11/2007	Huang	D14/341
D561,246 S *	2/2008	Matsuda et al.	D18/7
D595,291 S *	6/2009	Takemasa	D14/346
D597,541 S *	8/2009	Kazma et al.	D14/341
D622,722 S *	8/2010	Green et al.	D14/346
D623,184 S *	9/2010	Green et al.	D14/346
D624,073 S *	9/2010	Peng et al.	D14/341
D624,074 S *	9/2010	Green et al.	D14/346
D627,776 S *	11/2010	Seong	D14/341
D628,199 S *	11/2010	Yukikado et al.	D14/374
D635,568 S *	4/2011	Wesolek	D14/346

FOREIGN PATENT DOCUMENTS

JP	844211	7/1992
JP	1065213	3/2000
JP	1082093	8/2000
JP	1098607	1/2001
JP	1263792	2/2006

OTHER PUBLICATIONS

TeamPad 7500Ws brochure, dated Apr. 2008 (2 pgs). Downloaded from <http://www.frontech.fujitsu.com/downloads/services/products/handy/tp7500ws/downloads/tp7500ws.pdf> on Feb. 11, 2012.* Press Release—Team Pad 7500 Ws, Feb. 28, 2008; <http://pr.fujitsu.com/jp/news/2008/02/28.html>.

* cited by examiner

Primary Examiner — Deanna L Fluegeman

(74) *Attorney, Agent, or Firm* — RatnerPrestia

(57) **CLAIM**

The ornamental design for a computer, as shown and described.

DESCRIPTION

FIG. 1 is a top, rear, and right side perspective view of a computer showing my new design; FIG. 2 is a top, rear, and left side perspective view thereof; FIG. 3 is an additional enlarged top, rear, and right side perspective view thereof; FIG. 4 is an enlarged top, rear, and left side perspective view thereof; FIG. 5 is an enlarged rear elevational view thereof; FIG. 6 is an enlarged right side elevational view thereof; FIG. 7 is an enlarged top plan view thereof; and, FIG. 8 is an enlarged bottom plan view thereof. The “dot-dash”-type broken lines which define the bounds of the claimed design form no part thereof. The evenly-spaced broken lines illustrate portions of the computer that form no part of the claimed design.

1 Claim, 3 Drawing Sheets

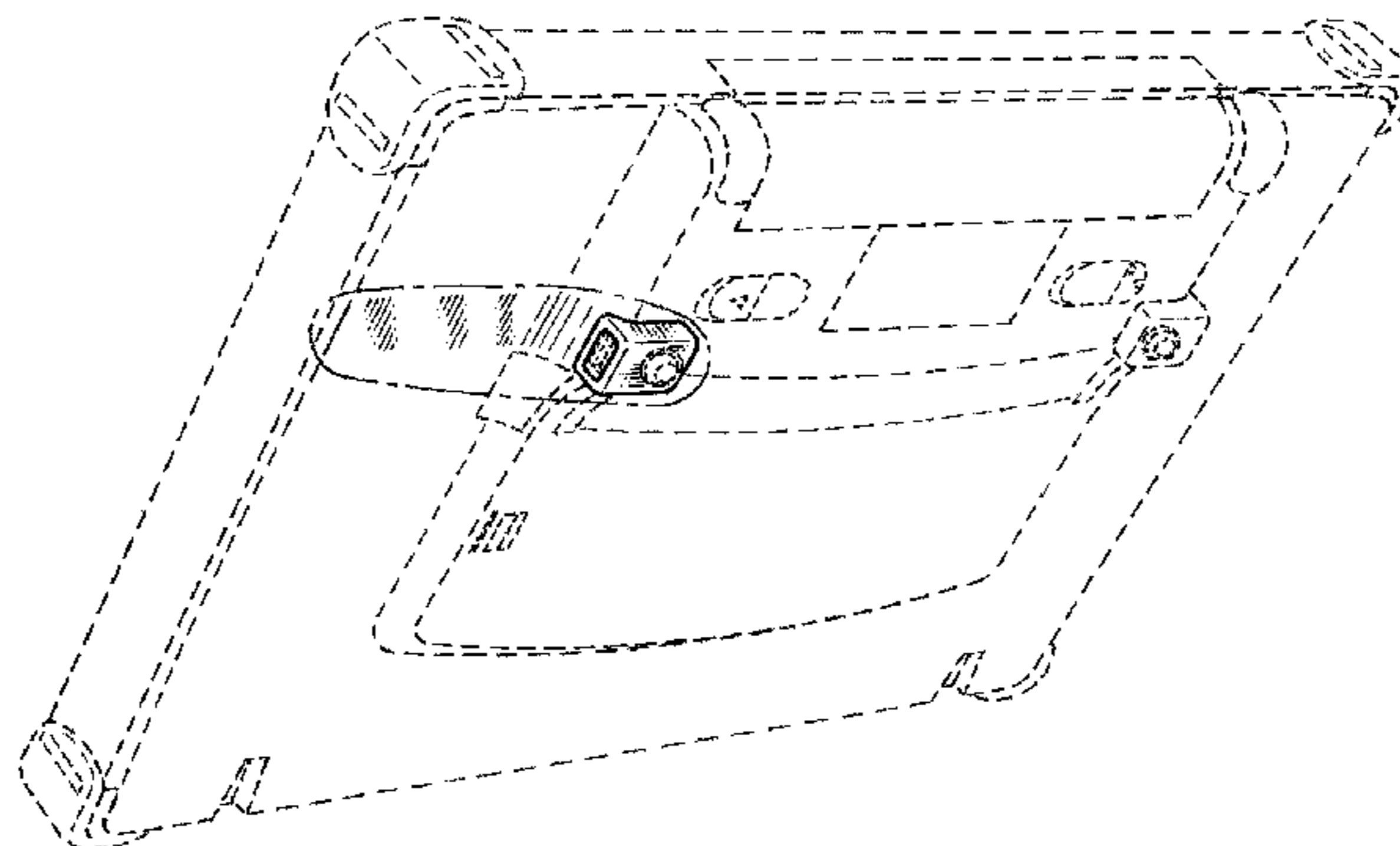


Fig.1

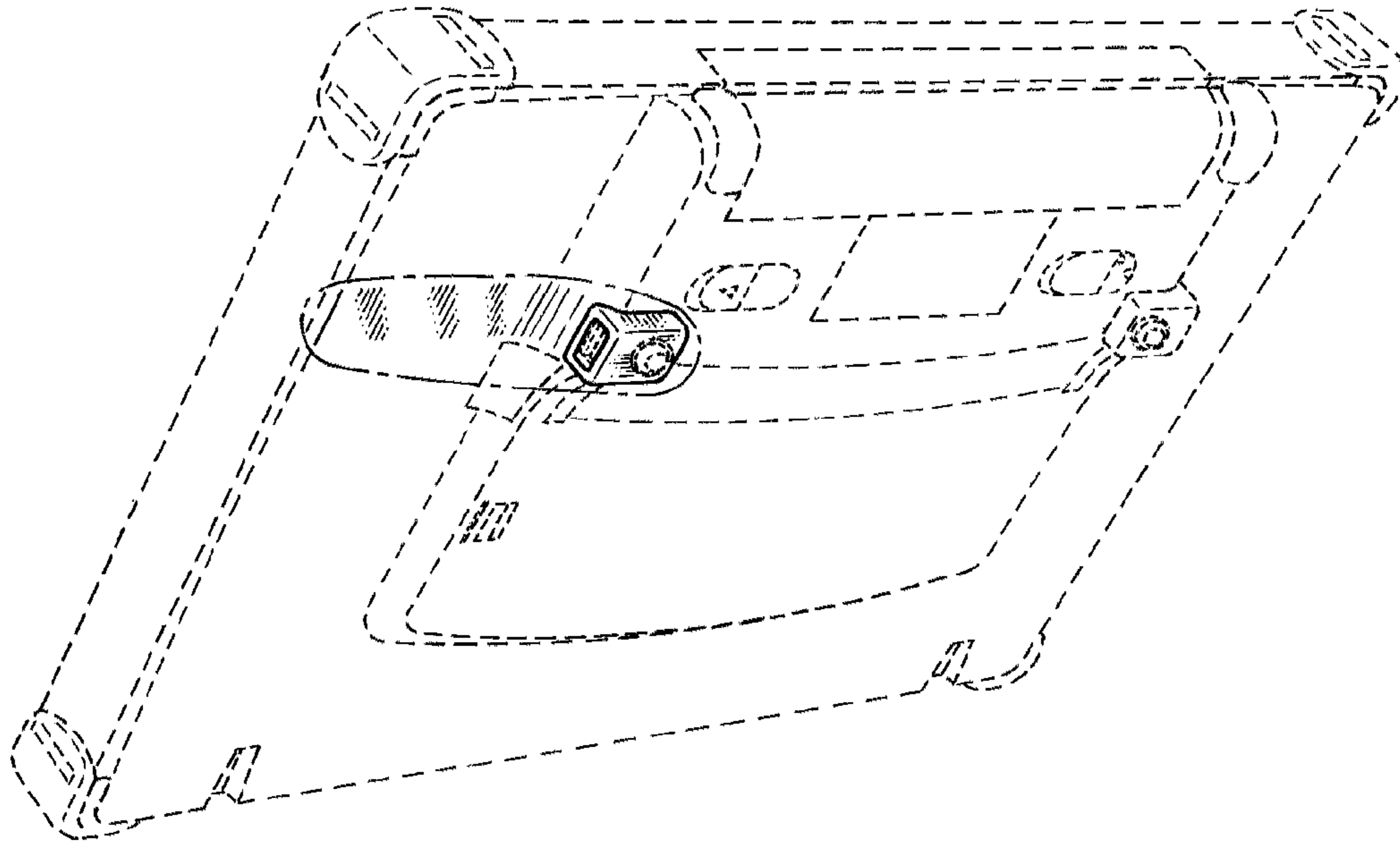


Fig.2

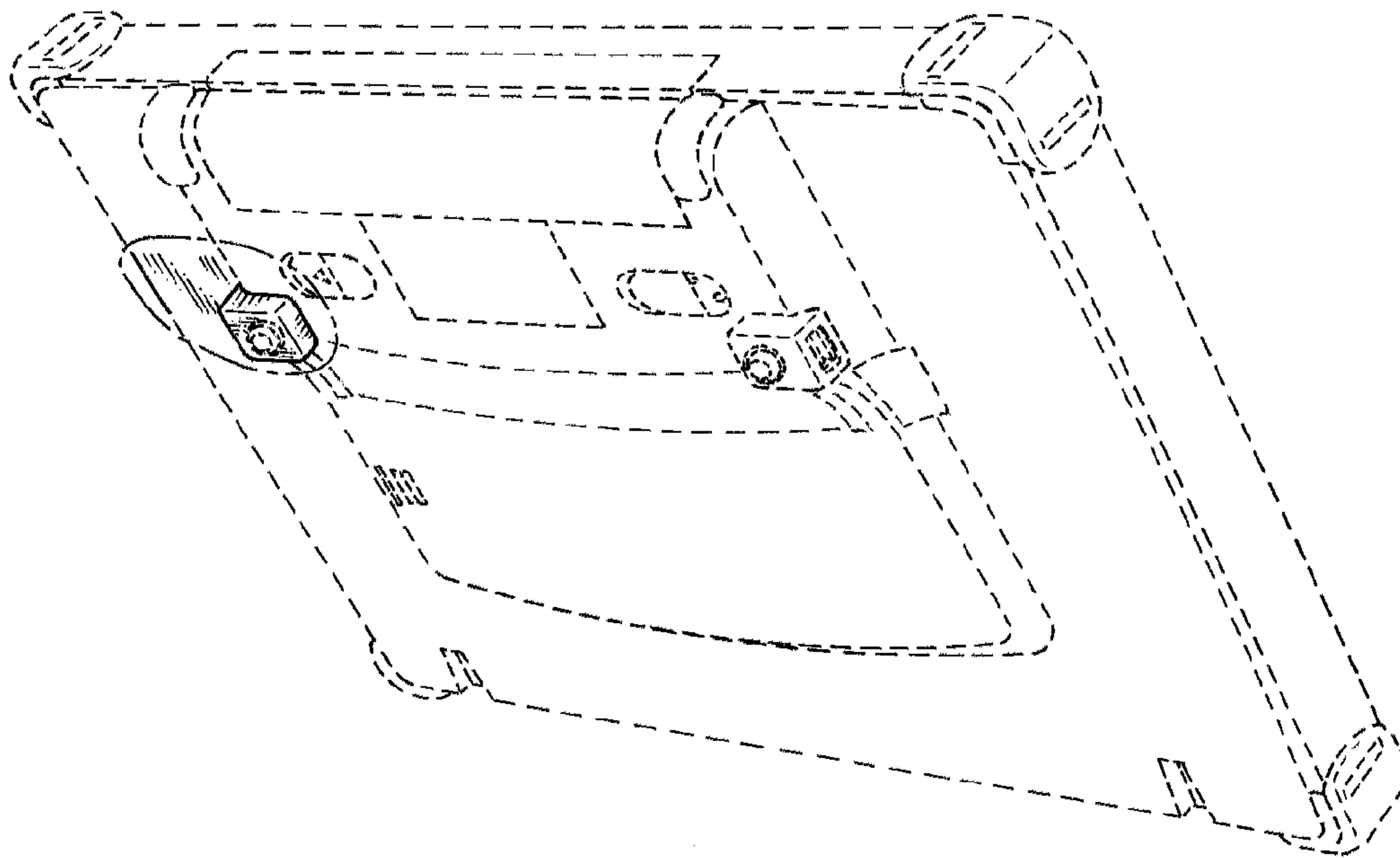


Fig.3

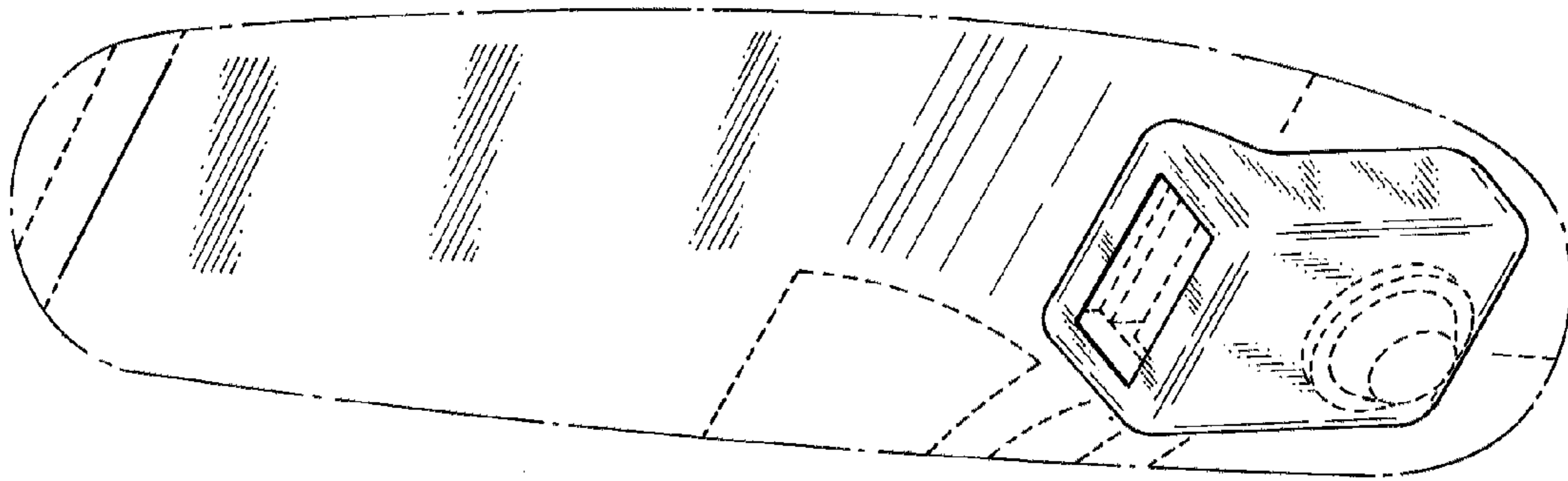


Fig.4

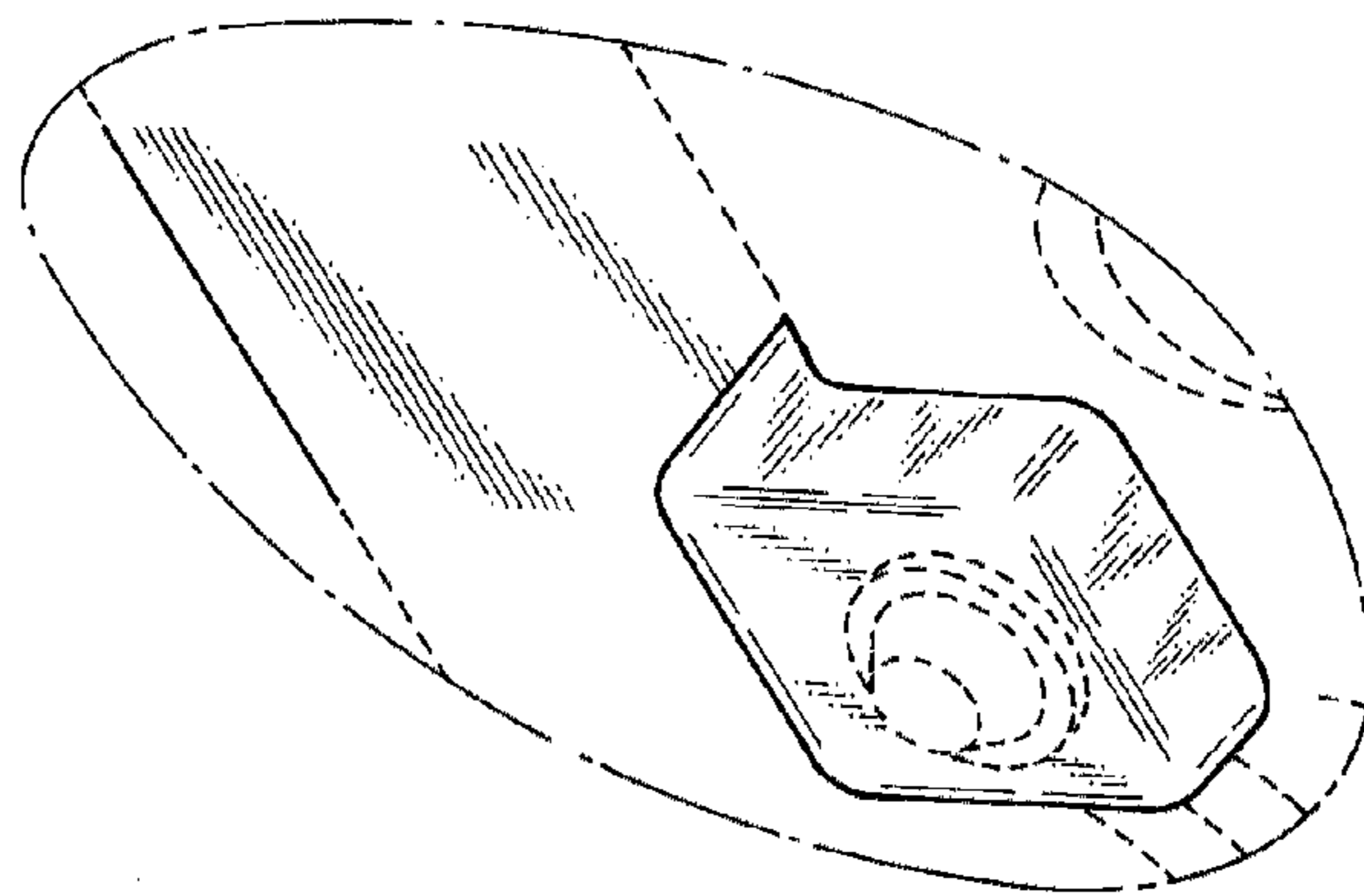


Fig.5

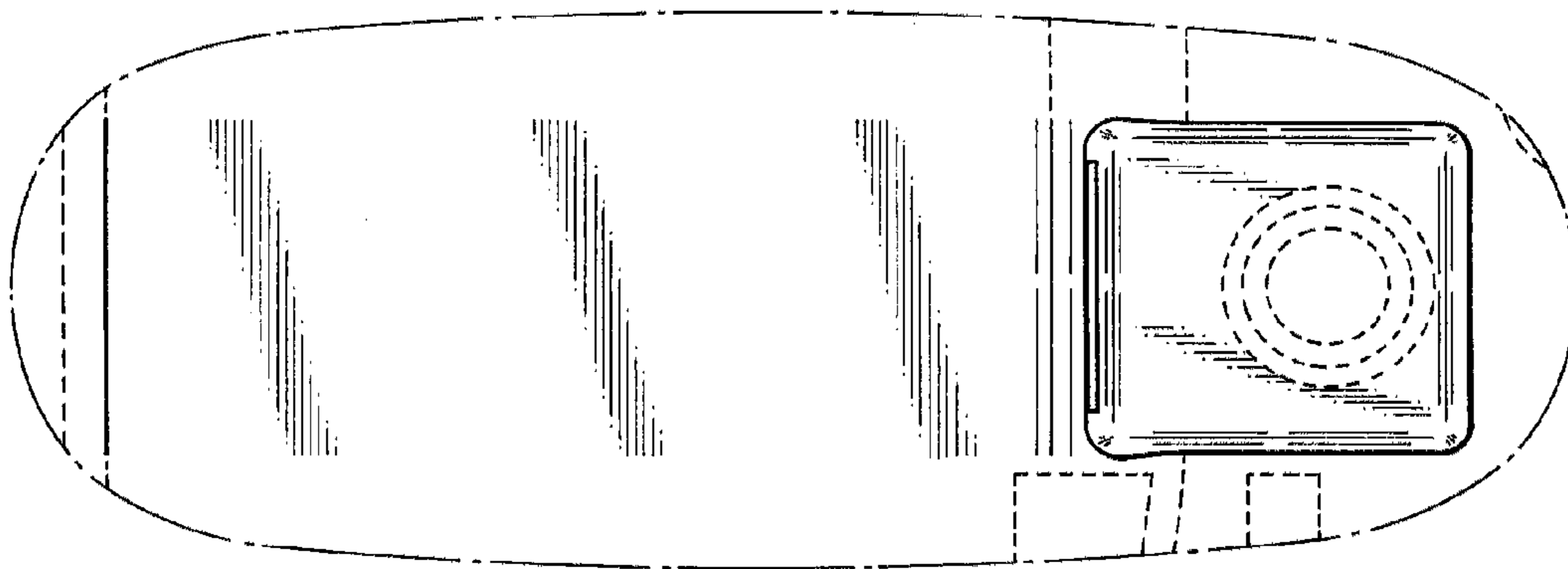


Fig.6

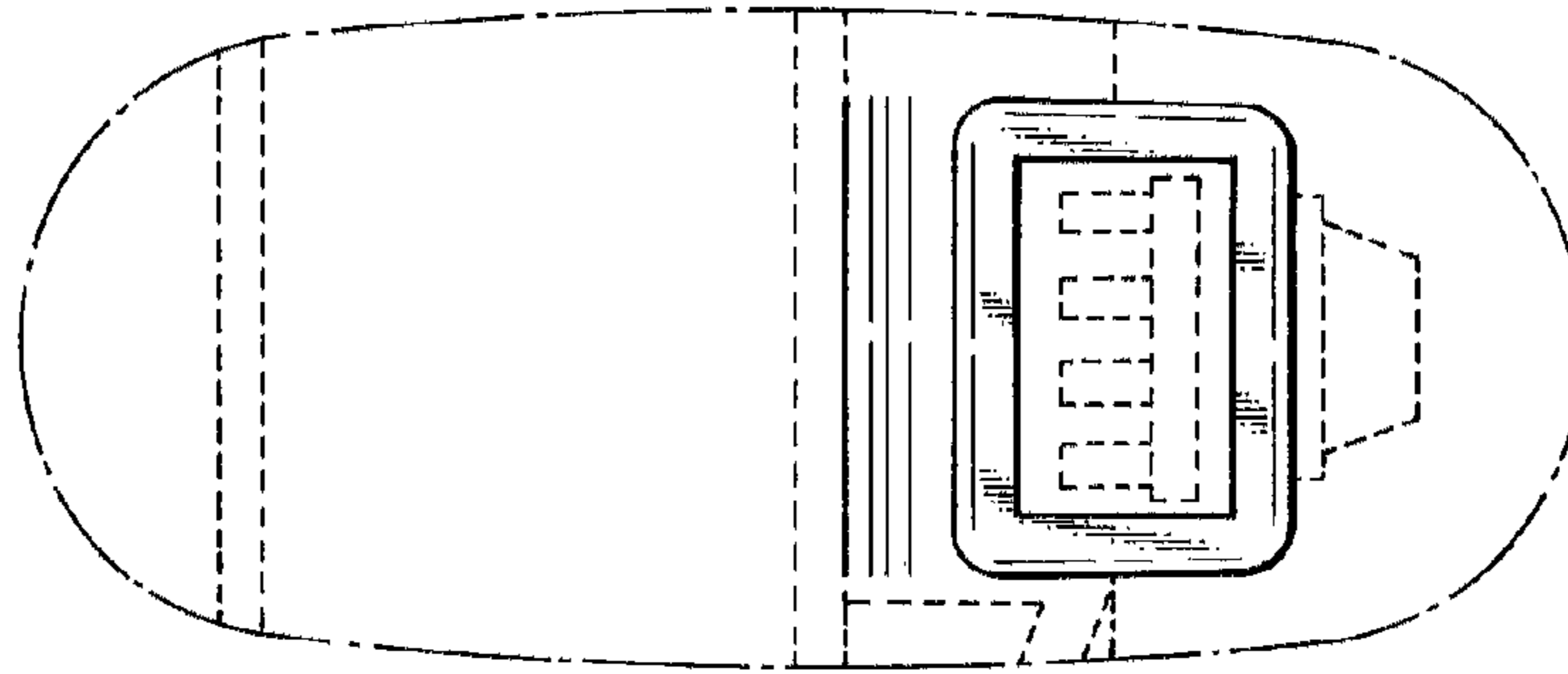


Fig.7

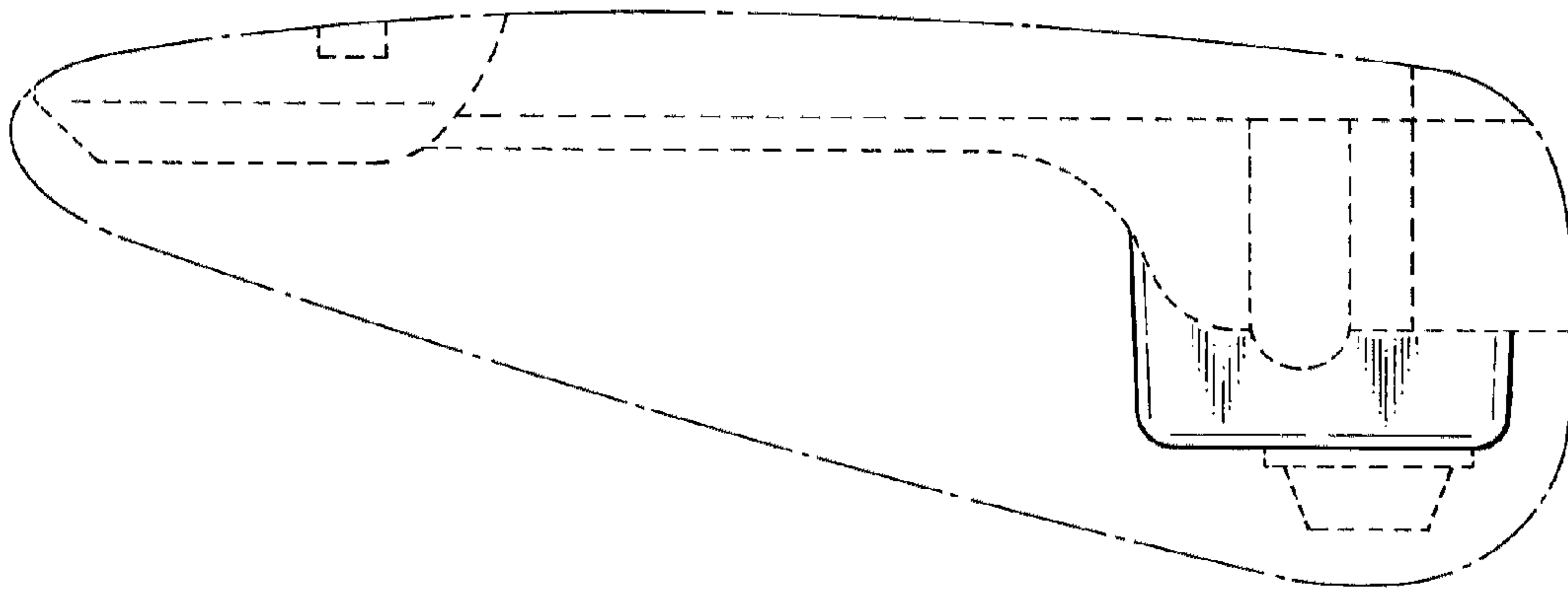


Fig.8

